

# DVE52M7750V

SAMSUNG

## Samsung Electric Dryer

7.4 cu. ft. Capacity DOE



### Signature Features

#### 2017 ENERGY STAR® Certified

- Meets the strict 2017 energy efficiency specifications and standards.

#### Multi-Steam Technology

- Steam away wrinkles, odors, bacteria and static.

#### Eco Dry

- Uses up to 25% less energy for every load.

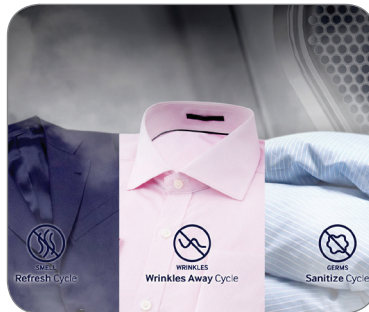
### Available Colors



Black Stainless Steel  
(shown)



White



Multi-Steam Technology



Eco Dry

### Features

- 2017 ENERGY STAR® Certified
- Multi-Steam Technology
- Eco Dry
- Sensor Dry
- Smart Care
- 13 Preset Dry Cycles
- 11 Options
- Interior Drum Light
- 7.4 cu. ft. Capacity
- LED Display: Ice Blue
- Reversible See-Through Door
- Wrinkle Prevent Option
- 4-Way Venting
- Powder Coat Interior

### Convenience

- Child Lock
- Filter Check Indicator

### Rating



ENERGY STAR®-rated  
607 kWh/yr

# DVE52M7750V

# SAMSUNG

## Samsung Electric Dryer

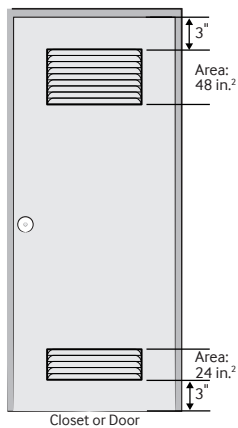
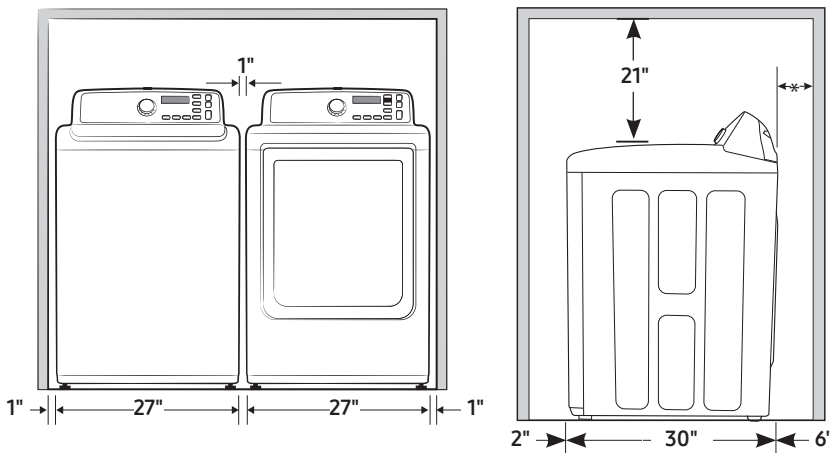
7.4 cu. ft. Capacity DOE

### Installation Specifications

#### Alcove or closet installation

Recessed Area

Side View Confined



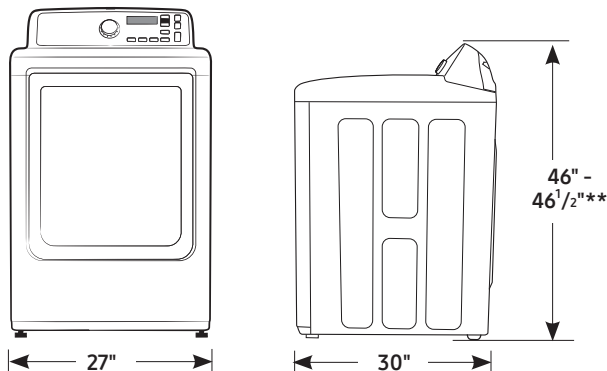
#### Minimum clearances for closets and alcoves:

Sides – 1"  
Top – 21"  
Rear – 6"  
Closet Front – 2"

If the washer and dryer are installed together, the closet front must have at least a 72-inch<sup>2</sup> unobstructed air opening. Your washer alone does not require a specific air opening.

\*Required spacing (External exhaust elbow may require additional space.)

### Dimensions



\*\*Adjustable height depending on leveling feet.

Actual color may vary. Design, specifications, and color availability are subject to change without notice. Non-metric weights and measurements are approximate.

©2018 Samsung Electronics America, Inc. 85 Challenger Road, Ridgefield Park, NJ 07660. Tel: 800-SAMSUNG. samsung.com. Samsung is a registered trademark of Samsung Electronics Co. Ltd.

### 4-Way Venting

#### 13 Preset Dry Cycles:

Steam Refresh, Steam Sanitize, Steam Wrinkle Away, Normal, Heavy Duty, Towels, Permanent Press, Bedding, Delicates, Active Wear, Time Dry, Air Fluff, Quick Dry

#### 11 Options:

Mixed Load Bell, Wrinkle Prevent, Adjust Time (Up), Adjust Time (Down), My Cycle, Child Lock, Sound On/Off, Anti-Static, Eco Dry, Smart Care, Drum Light

#### 5 Temperature Settings:

High, Medium, Medium Low, Low, Extra Low

#### 5 Dry Levels:

Very Dry, More Dry, Normal Dry, Less Dry, Damp Dry

#### 2 Sound Level Settings:

On/Off

### Warranty

One (1) Year Parts and Labor

### Product Dimensions & Weight (WxHxD)

Dimensions: 27" x 46" x 30"

Weight: 121.3 lbs

### Shipping Dimensions & Weight (WxHxD)

Dimensions: 29<sup>9</sup>/<sub>16</sub>" x 48<sup>3</sup>/<sub>16</sub>" x 31<sup>3</sup>/<sub>16</sub>"

Weight: 130.1 lbs

### Electric

Black Stainless Steel DVE52M7750V 887276196855

White DVE52M7750W 887276196862

### Gas

Black Stainless Steel DVG52M7750V 887276197029

White DVG52M7750W 887276197036

### Matching Washer

Black Stainless Steel WA52M7750AV 887276196428

White WA52M7750AW 887276196435