

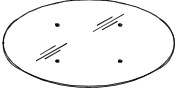




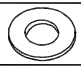
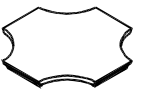


# ASSEMBLY INSTRUCTION

ITEM NO: SH1182ESO-36 (1/2) 52" ROUND GLASS TOP  
 SH1182ESO-36B (2/2) COUNTER HEIGHT TABLE BASE  
 SH1182ESO DINING ROUND GLASS TOP  
 SH1182ESO-B DINING TABLE BASE

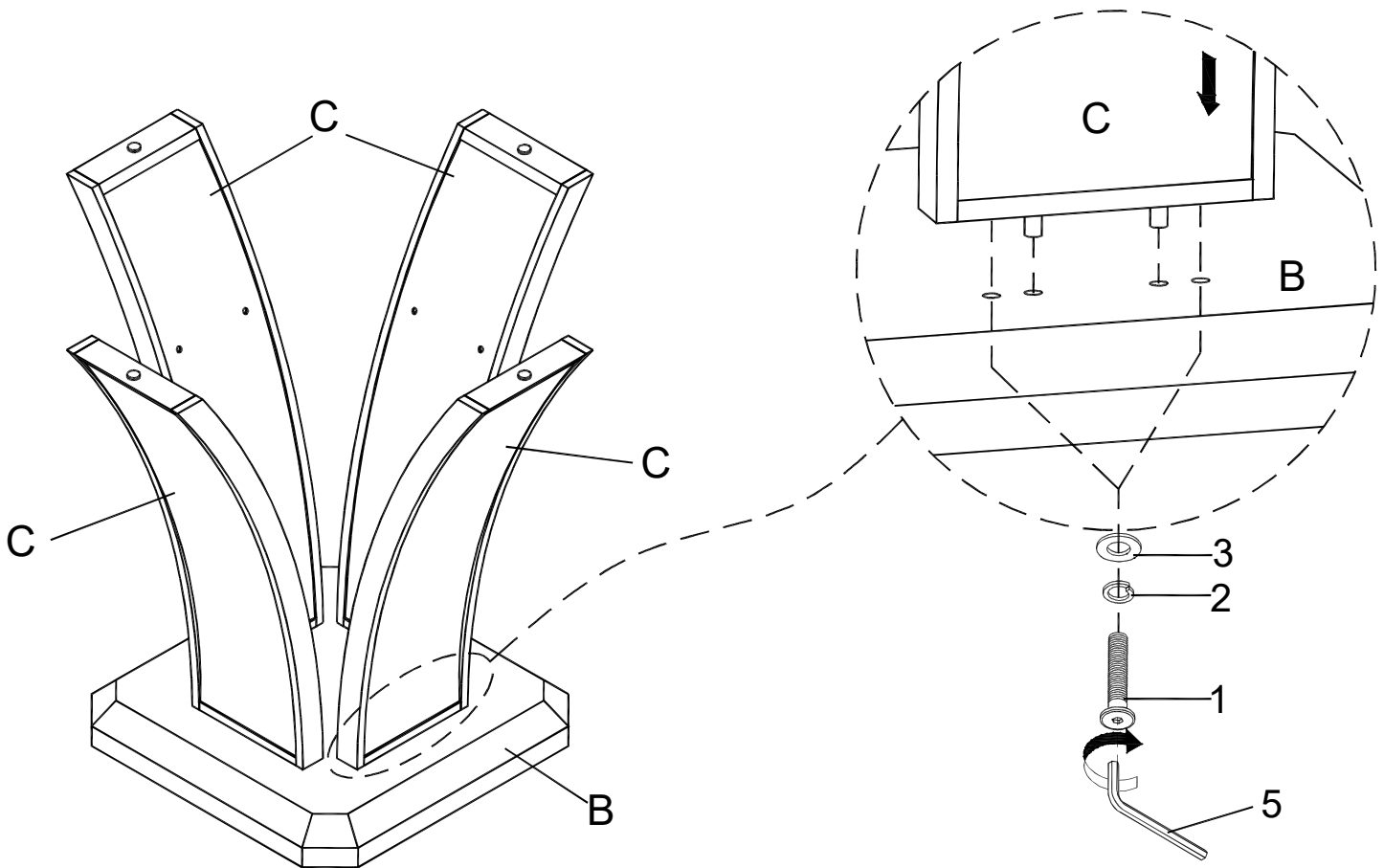
**Thank you for purchasing this quality product. Be sure to check all packing material carefully for small parts that may have come loose inside the carton during shipment.**

## PARTS LIST

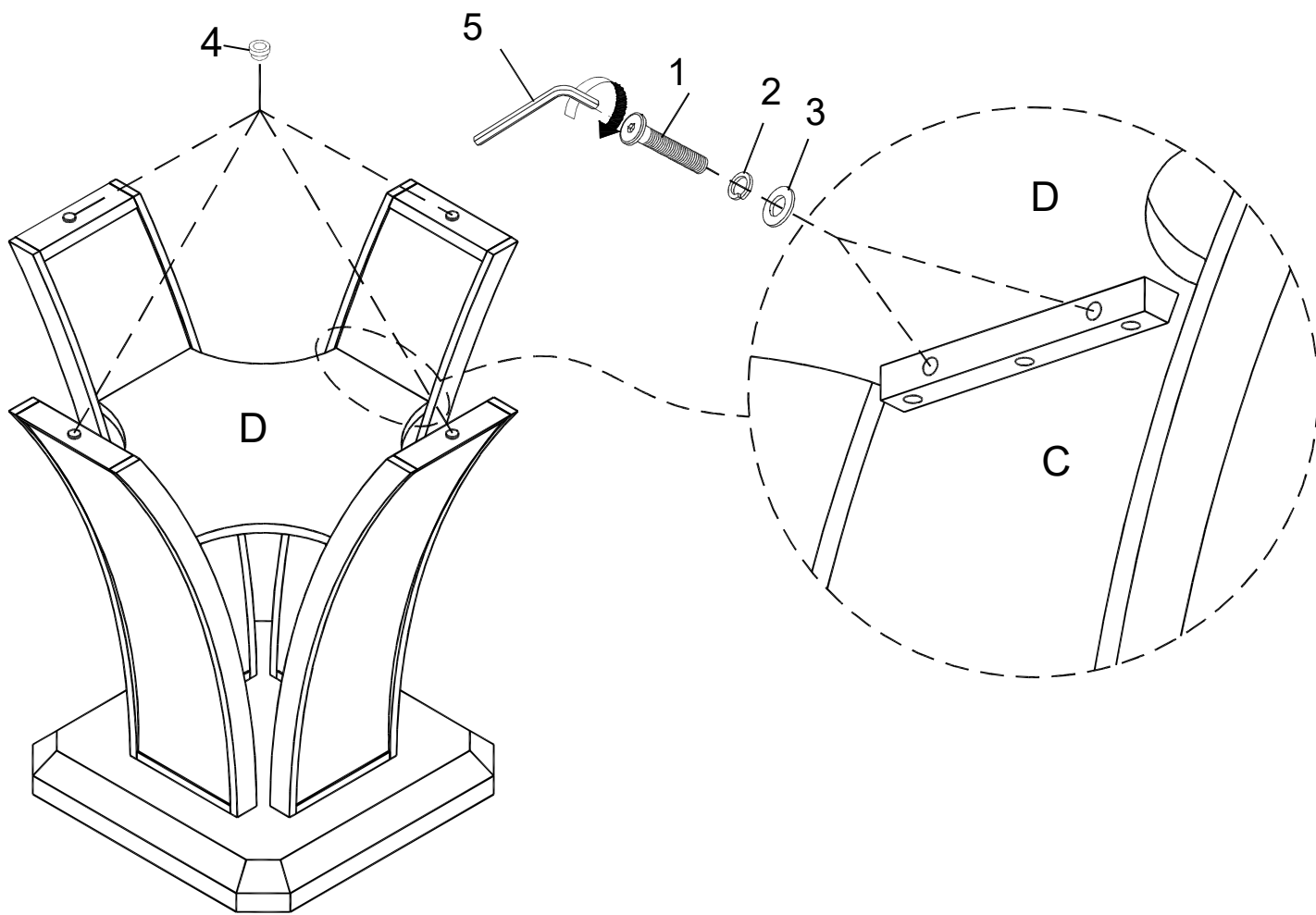
## HARDWARE LIST

NO.	Description	Sketch	Q'ty	NO.	Description	Sketch	Size	Q'ty
A	GLASS TOP		1 PC	1	BOLT		5/16"-13 x 1 7/9"	16 PCS
B	PEDESTAL BASE		1 PC	2	SPRING WASHER		5/16"ID x 3/8"OD x 1/16"TK	16 PCS
C	TABLE LEGS		4 PCS	3	FLAT WASHER		5/16"ID x 3/4"OD x 1/16"TK	16 PCS
D	BOTTOM SHELF		1 PC	4	ALUMINUM BUMPER 1/4"		Ø30 *7mm	4 PCS
				5	ALLEN KEY		1/6"	1 PC

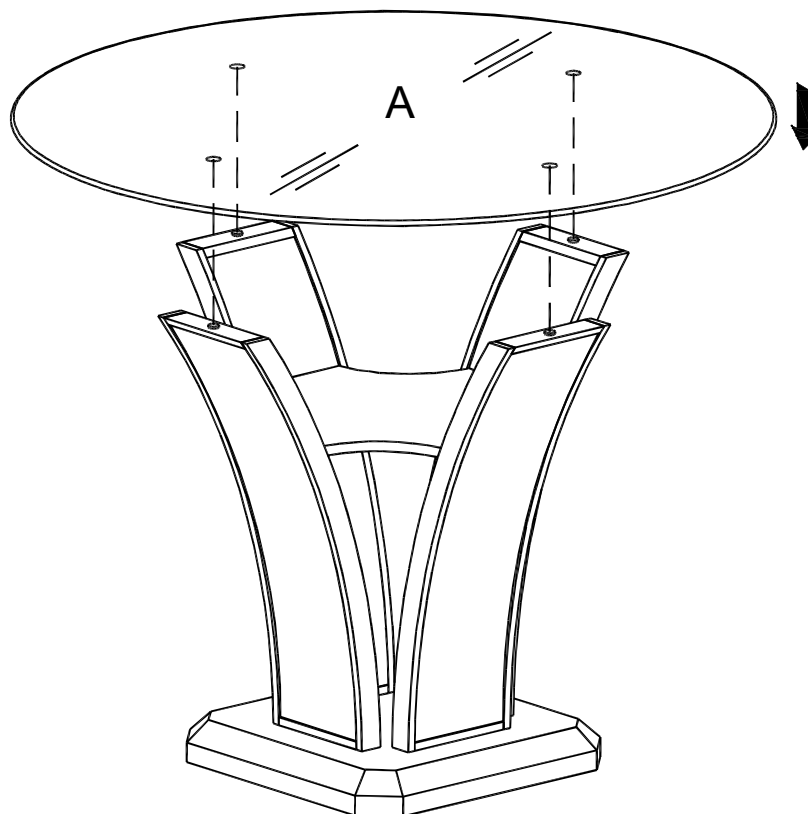
**STEP 1 : PUT THE LEG (C) ON THE PEDESTAL BASE (B)**



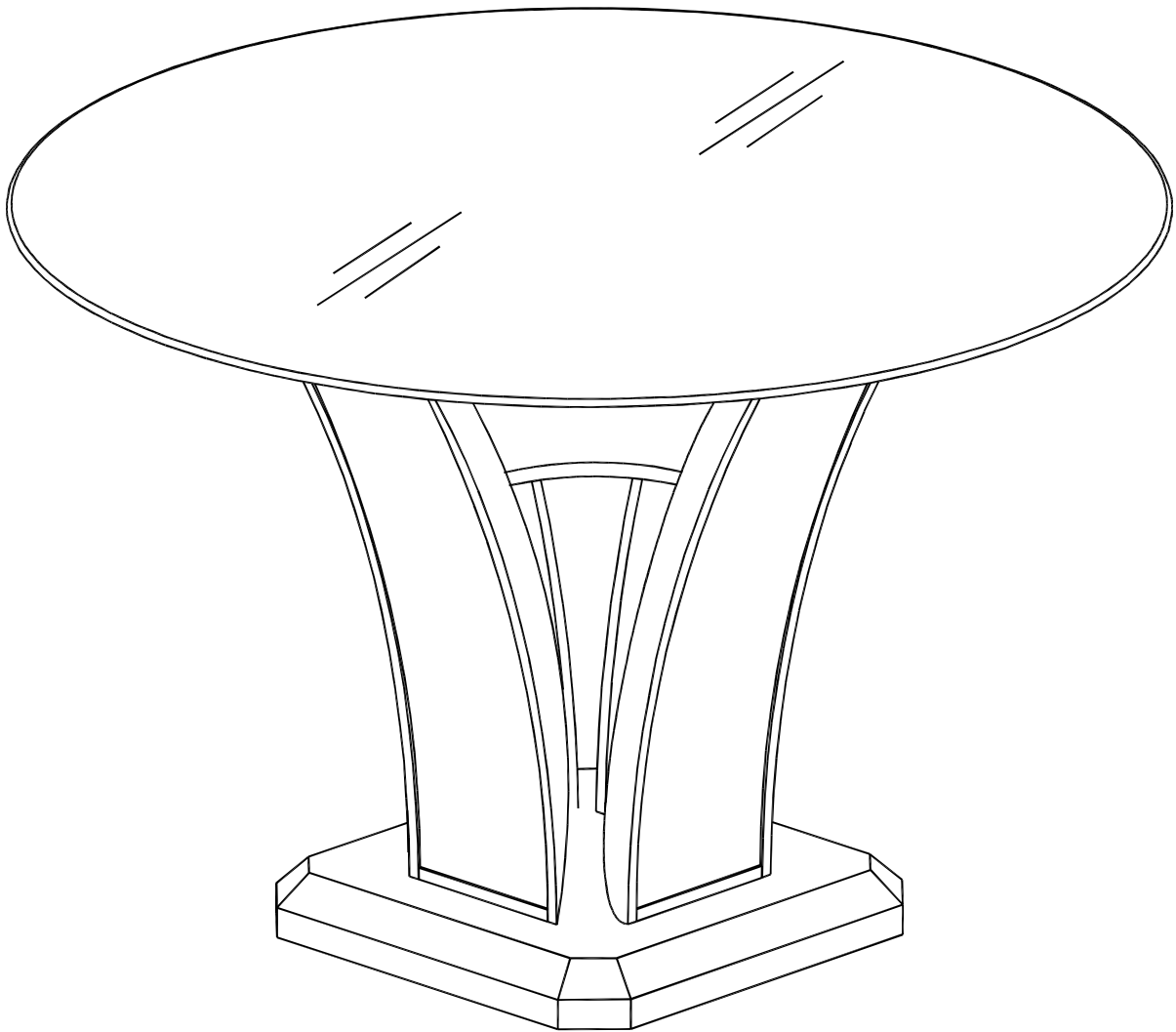
STEP 2 : PUT THE BOTTOM SHELF (D) ON THE THE TABLE LEG (C)  
AND PLACE PUT THE BUMPER (4) ON THE TABLE LEG (C)



STEP 3 : PLACE PUT GLASS TOP (A) ON THE TABLE LEG (C)



COMPLETED



**DO NOT TIGHTEN BOLTS UNTIL COMPLETELY ASSEMBLED.**



It is recommended to install protective pads under all legs and supports to avoid damage or scratches when placing furniture on a wood floor or other hard surface, and to limit indentation and prevent discoloration if placing on carpet.