

Dryer Installation and Care Instructions Manual

Manuel d'instructions concernant l'installation et l'entretien de la sècheuse

Manual de instrucciones de instalación y cuidado de la secadora

Table of Contents

DRYER SAFETY	2
INSTALLATION REQUIREMENTS.....	4
Tools and parts	4
LOCATION REQUIREMENTS.....	5
Installation clearances.....	5
ELECTRICAL REQUIREMENTS -	
U.S.A. ONLY	6
ELECTRIC DRYER POWER HOOKUP-	
CANADA ONLY.....	7
Electrical requirements.....	7
GAS DRYER POWER HOOKUP -	
U.S.A. AND CANADA.....	7
Electrical requirements.....	7
Gas supply requirements.....	8
Gas type	8
Gas supply line	8
Gas supply connection requirements.....	8
Burner input requirements	8
Dryer gas pipe.....	9
INSTALL LEVELING LEGS.....	9
MAKE ELECTRICAL CONNECTION -	
U.S.A. ONLY	9
Electrical Connection.....	9
Power Supply Cord Connection.....	10
Direct Wire Connection.....	12
MAKE GAS CONNECTION -	
U.S.A. AND CANADA.....	15
VENTING.....	16
Venting Requirements.....	16
Plan Vent System.....	17
Install vent system.....	18
CONNECT INLET HOSES.....	18
CONNECT VENT	19
LEVEL DRYER	20
COMPLETE INSTALLATION CHECKLIST ...	21
DRYER DOOR (ON SOME MODELS)	21
DOOR REVERSAL (ON SOME MODELS)....	22
DRYER CARE	26
CHECK YOUR VENT SYSTEM FOR	
GOOD AIR FLOW	27

Table des matières

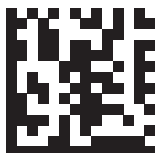
SÉCURITÉ DE LA SÈCHEUSE	29
EXIGENCES D'INSTALLATION	31
Outils et pièces	31
EXIGENCES D'EMPLACEMENT.....	32
Dégagements d'installation.....	32
SPÉCIFICATIONS ÉLECTRIQUES -	
É.-U. SEULEMENT	33
RACCORDEMENT DE LA SÈCHEUSE	
ÉLECTRIQUE - CANADA SEULEMENT	34
Spécifications électriques	34
RACCORDEMENT ÉLECTRIQUE DE LA	
SÈCHEUSE À GAZ - É.-U. ET CANADA.....	35
Spécifications électriques	35
SPÉCIFICATIONS DE L'ALIMENTATION	
EN GAZ	36
Type de gaz	36
Canalisation de gaz.....	36
Spécifications du raccordement	
de l'alimentation en gaz.....	37
Spécifications de l'alimentation	
du brûleur.....	37
Canalisation de gaz de la sècheuse	37
INSTALLATION DES PIEDS	
DE NIVELLEMENT	37
EFFECTUER LE RACCORDEMENT	
ÉLECTRIQUE - É.-U. SEULEMENT	38
Raccordement électrique	38
Raccordement du câble	
d'alimentation	38
Raccordement direct	40
EFFECTUER LE RACCORDEMENT	
AU GAZ - É.-U. ET CANADA.....	43
ÉVACUATION	44
Exigences concernant l'évacuation.....	44
Planification des circuits de conduits	45
Installation du système d'évacuation	46
RACCORDEMENT DES TUYAUX	
DE VIDANGE	47
RACCORDEMENT DU SYSTÈME	
D'ÉVACUATION.....	48
RÉGLAGE DE L'APLOMB	
DE LA SÈCHEUSE	49
LISTE DE VÉRIFICATION POUR	
INSTALLATION TERMINÉE	49
PORTE DE LA SÈCHEUSE (SUR CERTAINS	
MODÈLES).....	50
INVERSION DU SENS D'OUVERTURE	
DE LA PORTE (SUR CERTAINS	
MODÈLES).....	51
ENTRETIEN DE LA SÈCHEUSE	55
VÉRIFICATION D'UNE CIRCULATION	
D'AIR ADÉQUATE POUR LE SYSTÈME	
D'ÉVACUATION.....	56

Índice

SEGURIDAD DE LA SECADORA	59
REQUISITOS DE INSTALACIÓN	61
Herramientas y piezas	61
REQUISITOS DE UBICACIÓN	62
Espacios libres para la instalación	62
REQUISITOS ELÉCTRICOS -	
EE. UU. EE. UU.	63
CONEXIÓN PARA SECADORA ELÉCTRICA -	
SOLAMENTE EN CANADÁ.....	64
Requisitos eléctricos	64
CONEXIÓN DE ENERGÍA DE LA SECADORA	
A GAS - EE. UU. Y CANADÁ	65
Requisitos eléctricos	65
Requisitos del suministro de gas.....	65
Tipo de gas.....	65
Línea de suministro de gas	65
Requisitos para la conexión	
del suministro de gas.....	66
Requisitos de entrada del quemador	66
Tubo de gas de la secadora	66
INSTALACIÓN DE LAS PATAS	
NIVELADORAS.....	67
CÓMO HACER LA CONEXIÓN	
DEL SUMINISTRO ELÉCTRICO -	
SOLO EN EE. UU.	67
Conexión eléctrica	67
Conexión por cable de suministro	
eléctrico.....	68
Conexión por cable directo	70
CONEXIÓN DEL SUMINISTRO DE GAS -	
EE. UU. Y CANADÁ.....	73
VENTILACIÓN	74
Requisitos de ventilación	74
Planificación del sistema	
de ventilación.....	75
Instalación del sistema de ventilación ...	76
CONECTE LAS MANGUERAS	
DE ENTRADA	76
CONEXIÓN DEL DUCTO DE ESCAPE.....	77
NIVEL LA SECADORA.....	78
LISTA DE CONTROL DE LA INSTALACIÓN	
TERMINADA	78
PUERTA DE LA SECADORA (EN ALGUNOS	
MODELOS)	79
INVERSIÓN DE LA PUERTA (EN ALGUNOS	
MODELOS).....	80
CUIDADO DE LA SECADORA.....	84
REVISE QUE EL SISTEMA DE	
VENTILACIÓN TENGA UN BUEN FLUJO	
DE AIRE	85

Para obtener acceso a las "Instrucciones de instalación" en español, o para obtener información adicional acerca de su producto, visite: www.whirlpool.com.

Tenga listo su número de modelo completo. Puede encontrar el número de modelo y de serie dentro de la cavidad superior de la puerta.



DRYER SAFETY

Your safety and the safety of others are very important.

We have provided many important safety messages in this manual and on your appliance. Always read and obey all safety messages.



This is the safety alert symbol.

This symbol alerts you to potential hazards that can kill or hurt you and others.

All safety messages will follow the safety alert symbol and either the word "DANGER" or "WARNING."

These words mean:

⚠ DANGER

You can be killed or seriously injured if you don't immediately follow instructions.

⚠ WARNING

You can be killed or seriously injured if you don't follow instructions.

All safety messages will tell you what the potential hazard is, tell you how to reduce the chance of injury, and tell you what can happen if the instructions are not followed.

⚠ WARNING

Fire Hazard

Failure to follow safety warnings exactly could result in serious injury, death, or property damage.

Do not install a booster fan in the exhaust duct.

Install all clothes dryers in accordance with the installation instructions of the manufacturer of the dryer.

IMPORTANT: The gas installation must conform with local codes, or in the absence of local codes, with the National Fuel Gas Code, ANSI Z223.1/NFPA 54, or the Natural Gas and Propane Installation Code, CSA B149.1.

The dryer must be electrically grounded in accordance with local codes, or in the absence of local codes, with the National Electrical Code, ANSI/NFPA 70, or the Canadian Electrical Code, Part 1, CSA C22.1.



WARNING - “Risk of Fire”

- Clothes dryer installation must be performed by a qualified installer.
- Install the clothes dryer according to the manufacturer’s instructions and local codes.
- Do not install a clothes dryer with flexible plastic venting materials or flexible metal (foil type) duct. If flexible metal duct is installed, it must be of a specific type identified by the appliance manufacturer as suitable for use with clothes dryers. Flexible venting materials are known to collapse, be easily crushed, and trap lint. These conditions will obstruct clothes dryer airflow and increase the risk of fire.
- To reduce the risk of severe injury or death, follow all installation instructions.
- Save these instructions.

In the State of Massachusetts, the following installation instructions apply:

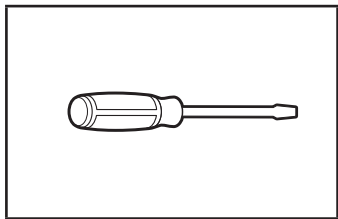
- Installations and repairs must be performed by a qualified or licensed contractor, plumber, or gas fitter qualified or licensed by the State of Massachusetts.
- Acceptable Shut-off Devices: Gas Cocks and Ball Valves installed for use shall be listed.
- A flexible gas connector, when used, must not exceed 4 feet (121.9 cm).

INSTALLATION REQUIREMENTS

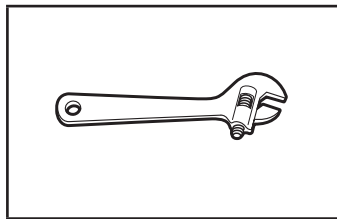
TOOLS AND PARTS

Gather the required tools and parts before starting installation. Read and follow the instructions provided with any tools listed here.

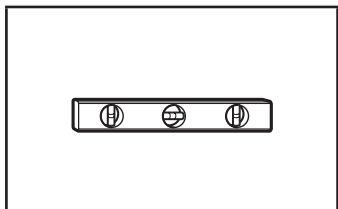
Tools needed for all installations:



Flat-blade screwdriver



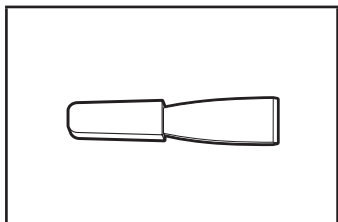
Adjustable wrench that opens to 1" or hex-head socket wrench



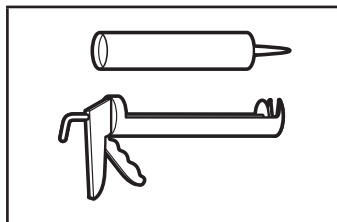
Level



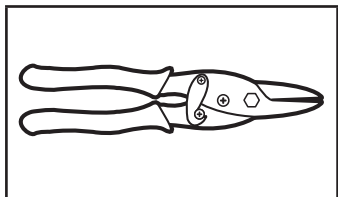
Vent clamps



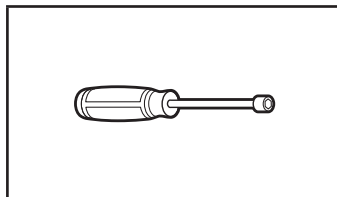
Plastic putty knife



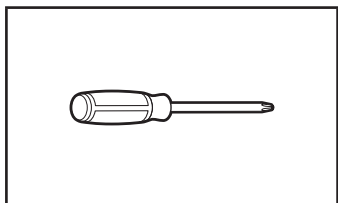
Caulking gun and compound (for installing new exhaust vent)



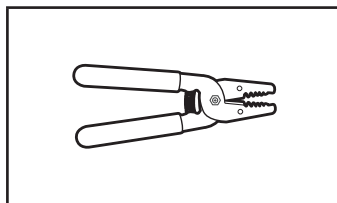
Tin snips (new vent installations)



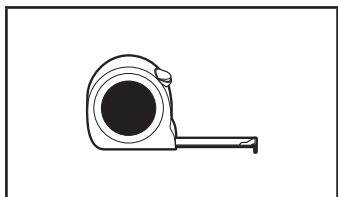
1/4" nut driver (recommended)



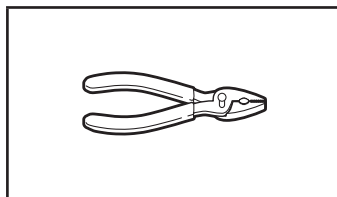
#2 Phillips screwdriver



Wire stripper (direct wire installations)

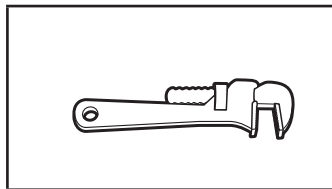


Tape measure

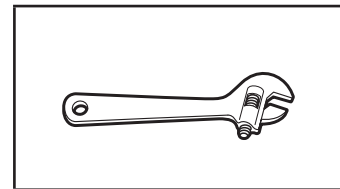


Pliers

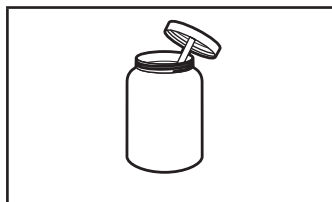
Tools needed for gas installations:



8" or 10" pipe wrench

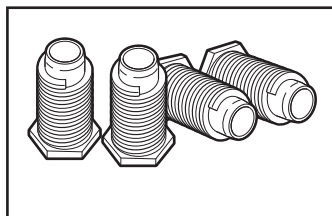


8" or 10" adjustable wrench (for gas connections)



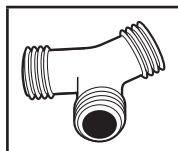
Pipe-joint compound resistant to propane gas

Parts supplied (all models):



Leveling legs (4)

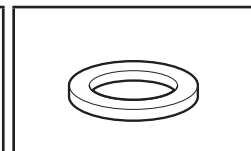
Parts needed (steam models):



"Y" connector



Short inlet hose



Rubber washer (4)



Inlet hose

If using a power supply cord:

Use a UL listed power supply cord kit marked for use with clothes dryers. The kit should contain:

- A UL listed 30 A power supply cord, rated 120/240 V minimum, with a temperature rating of 140°F (60°C) minimum. The cord should be type SRD or SRDT and be at least 4 ft (1.22 m) long. The wires that connect to the dryer must end in ring terminals or spade terminals with upturned ends.
- A UL listed strain relief

Parts needed: (Not supplied with dryer)
Check local codes. Check existing electrical supply and venting. See "Electrical Requirements" and "Venting Requirements" before purchasing parts.

Mobile home installations require metal exhaust system hardware available for purchase from the dealer from whom you purchased your dryer. For further information, please refer to the "Assistance or Service" section in your "Quick Reference Guide."

LOCATION REQUIREMENTS

⚠ WARNING



Explosion Hazard

Keep flammable materials and vapors, such as gasoline, away from dryer.

Place dryer at least 18 inches (46 cm) above the floor for a garage installation.

Failure to do so can result in death, explosion, or fire.

You will need:

- A location allowing for proper exhaust installation. See "Venting Requirements."
- A separate 15 or 20 A circuit needed for gas dryers and 30 A circuit needed for electric dryers.
- If using power supply cord, a grounded electrical outlet located within 2 ft (610 mm) of either side of dryer. See "Electrical Requirements."
- Floor must support dryer weight of 200 lbs. (90.7 kg). Also consider weight of companion appliance.
- Level floor with maximum slope of 1" (25 mm) under entire dryer. If slope is greater than 1" (25 mm), clothes may not tumble properly and automatic sensor cycles may not operate correctly.
- For garage installation, place dryer at least 18" (460 mm) above floor.
- **Steam models only:** Cold water faucets located within 4 ft (1.2 m) of the water fill valves, and water pressure of 20-100 psi (137.9-689.6 kPa). You may use your washer's water supply by purchasing the necessary parts noted in "Parts needed."

IMPORTANT: Do not operate, install, or store dryer where it will be exposed to water, weather, or at temperatures below 45°F (7°C). Lower temperatures may cause dryer not to shut off at end of automatic sensor cycles, resulting in longer drying times.

NOTE: No other fuel-burning appliance can be installed in the same closet as a dryer.

INSTALLATION CLEARANCES

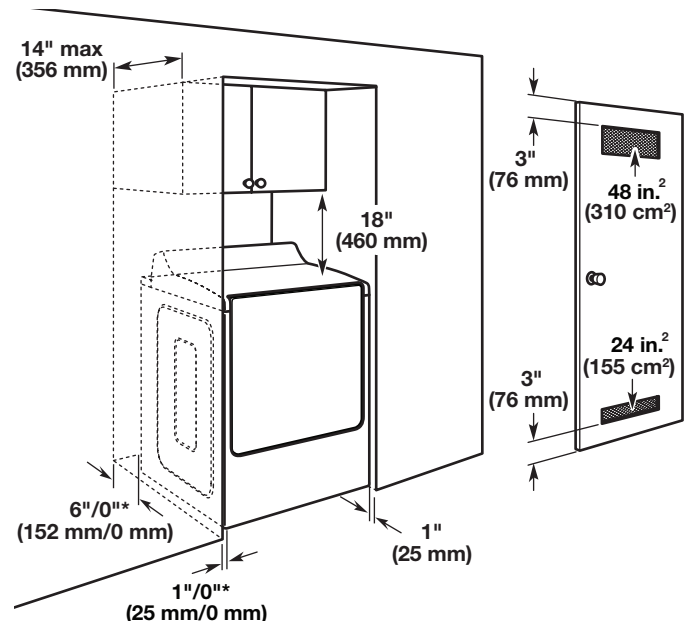
For each arrangement, consider allowing more space for ease of installation and servicing, spacing for companion appliances and clearances for walls, doors, and floor moldings. Space must be large enough to allow door to fully open. Add spacing on all sides of dryer to reduce noise transfer. If a closet door or louvered door is installed, top and bottom air openings in door are required.

Check code requirements. Some codes limit, or do not permit, installation of the dryer in garages, closets, mobile homes, or sleeping quarters. Contact your local building inspector.

Spacing for recessed area or closet installation

The dimensions shown are for the recommended spacing allowed.

- Additional spacing should be considered for ease of installation and servicing.
- Additional clearances might be required for wall, door, and floor moldings.
- Additional spacing of 1" (25 mm) on all sides of the dryer is recommended to reduce noise transfer.
- For closet installation, with a door, minimum ventilation openings in the top and bottom of the door are required. Louvered doors with equivalent ventilations openings are acceptable.
- Companion appliance spacing should also be considered.



*Recommended/Minimum spacing

Mobile home - Additional installation requirements:

This dryer is suitable for mobile home installations.

The installation must conform to the Manufactured Home Construction and Safety Standard, Title 24 CFR, Part 3280 (formerly the Federal Standard for Mobile home construction and Safety, Title 24, HUD Part 280) or Standard CAN/CSA-Z240 MH.

Mobile home installations require:

All dryers:

- Metal exhaust system hardware, available for purchase from your dealer. For further information, see "Assistance or Service" section in your "Quick Reference Guide."
- Special provisions must be made in mobile homes to introduce outside air into dryer. Openings (such as a nearby window) should be at least twice as large as dryer exhaust opening.

For gas dryers mobile home installations:

- Mobile Home Installation Hold-down Kit is available to order. For further information, see "Assistance or Service" section in your "Quick Reference Guide."

ELECTRICAL REQUIREMENTS - U.S.A. ONLY

It is your responsibility:

- To contact a qualified electrical installer.
- To be sure that the electrical connection is adequate and in conformance with the National Electrical Code, ANSI/NFPA 70 - latest edition and all local codes and ordinances.

The National Electrical Code requires a 4-wire power supply connection for homes built after 1996, dryer circuits involved in remodeling after 1996, and all mobile home installations.

A copy of the above code standards can be obtained from: National Fire Protection Association, One Batterymarch Park, Quincy, MA 02269.
- To supply the required 3 or 4-wire, single phase, 120/240 V, 60 Hz, AC only electrical supply (or 3 or 4-wire, 120/208 V electrical supply, if specified on the serial/rating plate) on a separate 30 A circuit, fused on both sides of the line. Connect to an individual branch circuit. Do not have a fuse in the neutral or grounding circuit.
- Do not use an extension cord.
- If codes permit and a separate ground wire is used, it is recommended that a qualified electrician determine that the ground path is adequate.

Electrical Connection

To properly install your dryer, you must determine the type of electrical connection you will be using and follow the instructions provided for it here.

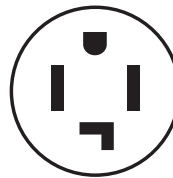
- This dryer is manufactured ready to install with a 3-wire electrical supply connection. The neutral ground conductor is permanently connected to the neutral conductor (white wire) within the dryer. If the dryer is installed with a 4-wire electrical supply connection, the neutral ground conductor must be removed from the external ground connector (green screw), and secured under the neutral terminal (center or white wire) of the terminal block. When the neutral ground conductor is secured under the neutral terminal (center or white wire) of the terminal block, the dryer cabinet is isolated from the neutral conductor.
- If local codes do not permit the connection of a neutral ground wire to the neutral wire, see "Optional 3-wire connection" section.
- A 4-wire power supply connection must be used when the appliance is installed in a location where grounding through the neutral conductor is prohibited. Grounding through the neutral is prohibited for (1) new branch-circuit installations, (2) mobile homes, (3) recreational vehicles, and (4) areas where local codes prohibit grounding through the neutral conductors.

If using a power supply cord:

Use a UL listed power supply cord kit marked for use with clothes dryers. The kit should contain:

- A UL listed 30 A power supply cord, rated 120/240 V minimum, with a temperature rating of 140°F (60°C) minimum. The cord should be type SRD or SRDT, and be at least 4 ft (1.22 m) long. The wires that connect to the dryer must end in ring terminals or spade terminals with upturned ends.
- A UL listed strain relief.

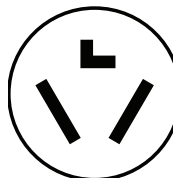
If your outlet looks like this:



4-wire
receptacle
(14-30R)

Then choose a 4-wire power supply cord with ring or spade terminals and UL listed strain relief. The 4-wire power supply cord, at least 4 ft (1.22 m) long, must have 4 10-gauge solid copper wires and match a 4-wire receptacle of NEMA Type 14-30 R. The ground wire (ground conductor) may be either green or bare. The neutral conductor must be identified by a white cover.

If your outlet looks like this:



3-wire
receptacle
(10-30R)

Then choose a 3-wire power supply cord with ring or spade terminals and UL listed strain relief. The 3-wire power supply cord, at least 4 ft (1.22 m) long, must have 3 10-gauge solid copper wires and match a 3-wire receptacle of NEMA Type 10-30 R.

If connecting by direct wire:

Power supply cable must match power supply (4-wire or 3-wire) and be:

- Flexible armored cable or nonmetallic sheathed copper cable (with ground wire), covered with flexible metallic conduit. All current-carrying wires must be insulated.
- 10-gauge solid copper wire (do not use aluminum) at least 5 ft (1.52 m) long.

GROUNDING INSTRUCTIONS

- For a grounded, cord-connected dryer:
This dryer must be grounded. In the event of malfunction or breakdown, grounding will reduce the risk of electric shock by providing a path of least resistance for electric current. This dryer uses a cord having an equipment-grounding conductor and a grounding plug. The plug must be plugged into an appropriate outlet that is properly installed and grounded in accordance with all local codes and ordinances.
- For a permanently connected dryer:
This dryer must be connected to a grounded metal, permanent wiring system, or an equipment-grounding conductor must be run with the circuit conductors and connected to the equipment-grounding terminal or lead on the dryer.

WARNING: Improper connection of the equipment-grounding conductor can result in a risk of electric shock. Check with a qualified electrician or service representative or personnel if you are in doubt as to whether the dryer is properly grounded. Do not modify the plug on the power supply cord: if it will not fit the outlet, have a proper outlet installed by a qualified electrician.

SAVE THESE INSTRUCTIONS

ELECTRIC DRYER POWER HOOKUP- CANADA ONLY

ELECTRICAL REQUIREMENTS

WARNING



Electrical Shock Hazard

Plug into a grounded 4 prong outlet.
Failure to do so can result in death or electrical shock.

It is your responsibility:

- To contact a qualified electrical installer.
- To be sure that the electrical connection is adequate and in conformance with Canadian Electrical Code, C22.1-latest edition and all local codes. A copy of above codes standard may be obtained from: Canadian Standards Association, 178 Rexdale Blvd., Toronto, ON M9W 1R3 CANADA.
- To supply the required 4-wire, single phase, 120/240 V, 60 Hz, AC only electrical supply on a separate 30 A circuit, fused on both sides of the line. A time-delay fuse or circuit breaker is recommended. Connect to an individual branch circuit.
- This dryer is equipped with a UL listed and/or CSA International Certified Power Cord intended to be plugged into a standard 14-30R wall receptacle. The cord is 5 ft (1.52 m) long. Be sure wall receptacle is within reach of dryer's final location.



4-wire receptacle
(14-30R)

For further information, please reference service numbers located in "Assistance or Service" section of your "Quick Reference Guide."

GROUNDING INSTRUCTIONS

- For a grounded, cord-connected dryer:
This dryer must be grounded. In the event of malfunction or breakdown, grounding will reduce the risk of electric shock by providing a path of least resistance for electric current. This dryer uses a cord having an equipment-grounding conductor and a grounding plug. The plug must be plugged into an appropriate outlet that is properly installed and grounded in accordance with all local codes and ordinances.
- For a permanently connected dryer:
This dryer must be connected to a grounded metal, permanent wiring system, or an equipment-grounding conductor must be run with the circuit conductors and connected to the equipment-grounding terminal or lead on the dryer.

WARNING: Improper connection of the equipment-grounding conductor can result in a risk of electric shock. Check with a qualified electrician or service representative or personnel if you are in doubt as to whether the dryer is properly grounded. Do not modify the plug on the power supply cord: if it will not fit the outlet, have a proper outlet installed by a qualified electrician.

SAVE THESE INSTRUCTIONS

GAS DRYER POWER HOOKUP - U.S.A. AND CANADA

ELECTRICAL REQUIREMENTS

WARNING



Electrical Shock Hazard

- Plug into a grounded 3 prong outlet.**
- Do not remove ground prong.**
- Do not use an adapter.**
- Do not use an extension cord.**
- Failure to follow these instructions can result in death, fire, or electrical shock.**

- 120 V, 60 Hz, AC only, 15 A or 20 A fused electrical supply is required. A time-delay fuse or circuit breaker is recommended. It is also recommended that a separate circuit serving only this dryer be provided.

GROUNDING INSTRUCTIONS

- For a grounded, cord-connected dryer:
This dryer must be grounded. In the event of malfunction or breakdown, grounding will reduce the risk of electric shock by providing a path of least resistance for electric current. This dryer uses a cord having an equipment-grounding conductor and a grounding plug. The plug must be plugged into an appropriate outlet that is properly installed and grounded in accordance with all local codes and ordinances.
- For a permanently connected dryer:
This dryer must be connected to a grounded metal, permanent wiring system, or an equipment-grounding conductor must be run with the circuit conductors and connected to the equipment-grounding terminal or lead on the dryer.

WARNING: Improper connection of the equipment-grounding conductor can result in a risk of electric shock. Check with a qualified electrician or service representative or personnel if you are in doubt as to whether the dryer is properly grounded. Do not modify the plug on the power supply cord: if it will not fit the outlet, have a proper outlet installed by a qualified electrician.

SAVE THESE INSTRUCTIONS

GAS SUPPLY REQUIREMENTS

⚠ WARNING



Explosion Hazard

Use a new CSA International approved gas supply line.

Install a shut-off valve.

Securely tighten all gas connections.

If connected to propane, have a qualified person make sure gas pressure does not exceed 13" (330 mm) water column.

Examples of a qualified person include:
licensed heating personnel,
authorized gas company personnel, and
authorized service personnel.

Failure to do so can result in death, explosion, or fire.

GAS TYPE

Natural Gas:

This dryer is equipped for use with Natural gas. It is certified by UL for use with propane gas with appropriate conversion.

- Your dryer must have the correct burner for the type of gas in your home. Burner information is located on the rating plate in the door well of your dryer. If this information does not agree with the type of gas available, contact your dealer or call the phone numbers referenced in the "Assistance or Service" section of your "Quick Reference Guide."

Propane Gas Conversion:

IMPORTANT: Conversion must be made by a qualified technician.

No attempt shall be made to convert the dryer from the gas specified on the model/serial rating plate for use with a different gas without consulting your gas company.

GAS SUPPLY LINE

Option 1 (Recommended Method)

Flexible stainless steel gas connector:

- If local codes permit, use a new flexible stainless steel gas connector (Design Certified by the American Gas Association or CSA International) to connect your dryer to the rigid gas supply line. Use an elbow and a 3/8" flare x 3/8" NPT adapter fitting between the stainless steel gas connector and the dryer gas pipe as needed to prevent kinking.

Option 2 (Alternate Method)

Approved aluminum or copper tubing

- Must include 1/8" NPT minimum plugged tapping accessible for test gauge connection, immediately upstream of the gas connection to the dryer.
- 1/2" IPS pipe is recommended.
- 3/8" approved aluminum or copper tubing is acceptable for lengths under 20 ft (6.1 m) if local codes and gas supplier permit.
- If you are using Natural gas, do not use copper tubing.

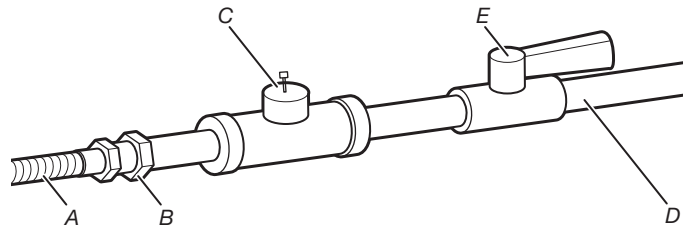
- Lengths over 20 ft (6.1 m) should use larger tubing and a different size adapter fitting.
- If your dryer has been converted to use LP gas, 3/8" propane compatible copper tubing can be used. If the total length of the supply line is more than 20 ft (6.1 m), use larger pipe.
NOTE: Pipe-joint compounds that resist the action of propane gas must be used. Do not use TEFLON^{®†} tape.
- Must include shut-off valve.

In the U.S.A.:

An individual manual shut-off valve must be installed within six (6) ft (1.8 m) of the dryer in accordance with the National Fuel Gas Code, ANSI Z223.1. The location should be easy to reach for opening and closing.

In Canada:

An individual manual shut-off valve must be installed in accordance with the B149.1, Natural Gas and Propane Installation Code. It is recommended that an individual manual shutoff valve be installed within six (6) ft (1.8 m) of the dryer. The location should be easy to reach for opening and closing.



- A. 3/8" flexible gas connector
- B. 3/8" pipe to flare adapter fitting
- C. 1/8" NPT minimum plugged tapping
- D. 1/2" NPT gas supply line
- E. Gas shutoff valve

GAS SUPPLY CONNECTION REQUIREMENTS

- Use an elbow and a 3/8" flare x 3/8" NPT adapter fitting between the flexible gas connector and the dryer gas pipe, as needed to avoid kinking.
- Use only pipe-joint compound. Do not use TEFLON^{®†} tape.
- This dryer must be connected to the gas supply line with a listed flexible gas connector that complies with the standard for connectors for gas appliances, ANSI Z21.24 or CSA 6.10.

BURNER INPUT REQUIREMENTS

Elevations above 2,000 ft (610 m):

- When installed above 2,000 ft (610 m) a 4% reduction of the burner BTU rating shown on the model/serial number plate is required for each 1,000 ft (305 m) increase in elevation.

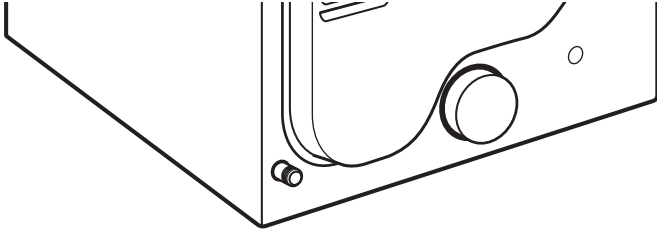
Gas supply pressure testing

- The dryer must be disconnected from the gas supply piping system during pressure testing at pressures greater than 1/2 psi.

†[®]TEFLON is a registered trademark of Chemours.

DRYER GAS PIPE

- The gas pipe that comes out through the rear of your dryer has a 3/8" male pipe thread.



3/8" NPT dryer pipe

NOTE: For a garage installation, the gas pipe height must be an additional 18" (460 mm) from the floor.

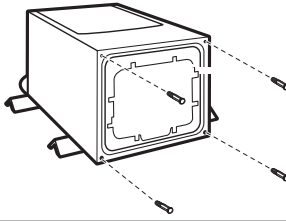
INSTALL LEVELING LEGS

⚠ WARNING

Excessive Weight Hazard

Use two or more people to move and install dryer.
Failure to do so can result in back or other injury.

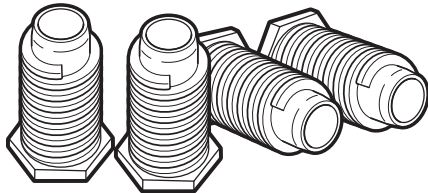
1. Prepare dryer for leveling legs



Firmly grasp dryer body (not console panel) and gently lay dryer down on back cardboard corner posts.

IMPORTANT: If laying dryer on its back, use the cardboard corner posts the dryer was packed with to avoid damaging the back of the dryer.

2. Screw in leveling legs

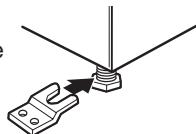


Using a wrench and tape measure, screw leveling legs into leg holes until bottom of foot is approximately 1" (25 mm) from bottom of dryer.

Now stand the dryer on its feet. Slide the dryer until it is close to its final location. Leave enough room to connect the exhaust vent.

For mobile home use

Gas dryers must be securely fastened to the floor. Mobile home installations require a Mobile Home Installation Hold-down Kit. For ordering information please reference the "Quick Reference Guide."



MAKE ELECTRICAL CONNECTION - U.S.A. ONLY

ELECTRICAL CONNECTION

Power Supply Cord:

⚠ WARNING



Fire Hazard

Use a new UL listed 30 amp power supply cord.

Use a UL listed strain relief.

Disconnect power before making electrical connections.

Connect neutral wire (white or center wire) to center terminal (silver).

Ground wire (green or bare wire) must be connected to green ground connector.

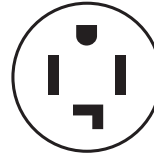
Connect remaining 2 supply wires to remaining 2 terminals (gold).

Securely tighten all electrical connections.

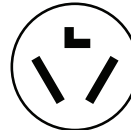
Failure to do so can result in death, fire, or electrical shock.

Electrical Connection Options:

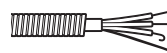
1. Choose electrical connection type



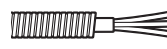
Power supply cord 4-wire receptacle (NEMA Type 14-30R):
Go to Power Supply Cord Connection.



Power supply cord 3-wire receptacle (NEMA Type 10-30R):
Go to Power Supply Cord Connection.



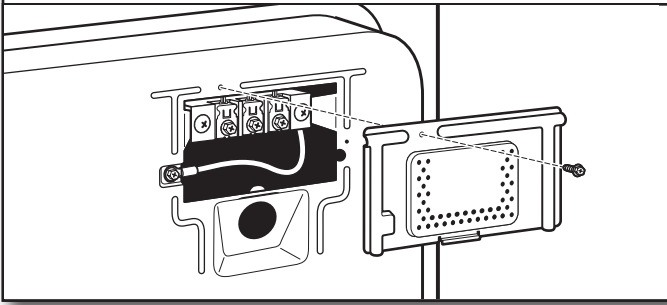
4-wire direct connection:
Go to Direct Wire Connection.



3-wire direct connection:
Go to Direct Wire Connection.

NOTE: If local codes do not permit connection of a cabinet-ground conductor to neutral wire, go to "Optional 3-wire connection." This connection may be used with either a power supply cord or a direct wire connection.

2. Remove terminal block cover

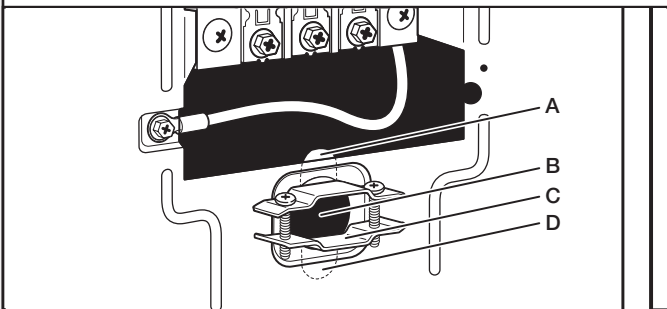


Remove hold-down screw and terminal block cover.

POWER SUPPLY CORD CONNECTION

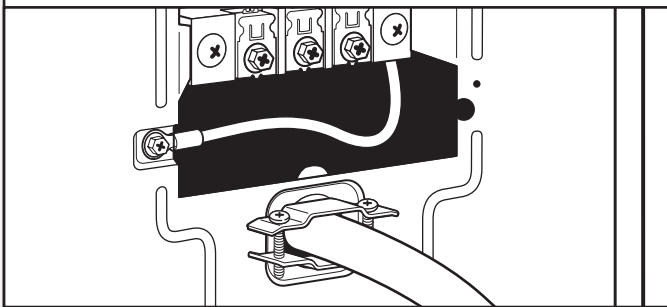
Power Supply Cord Strain Relief

1. Attach power supply cord strain relief



Remove the screws from a 3/4" (19 mm) UL Listed strain relief. Put the tabs of the two clamp sections (C) into the hole below the terminal block opening (B) so that one tab is pointing up (A) and the other is pointing down (D), and hold in place. Tighten strain relief screws just enough to hold the two clamp sections (C) together.

2. Attach power supply cord strain relief



Put power supply cord through the strain relief. Be sure that the wire insulation on the power supply cord is inside the strain relief. The strain relief should have a tight fit with the dryer cabinet and be in a horizontal position. Do not further tighten strain relief screws at this point.

If your outlet looks like this:



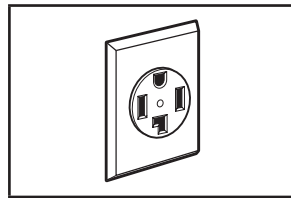
Power supply cord 4-wire receptacle (NEMA Type 14-30R):
Go to "4-Wire Power Supply Cord Connection".



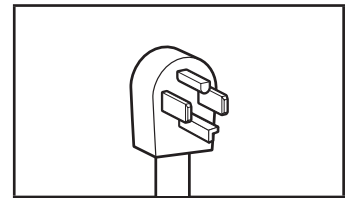
Power supply cord 3-wire receptacle (NEMA Type 10-30R):
Go to "3-Wire Power Supply Cord Connection."

4-Wire Power Supply Cord Connection

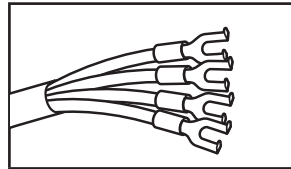
IMPORTANT: A 4-wire connection is required for mobile homes and where local codes do not permit the use of 3-wire connections.



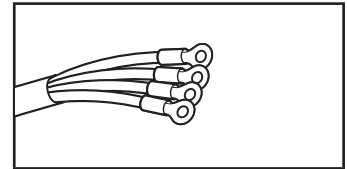
4-wire receptacle (NEMA type 14-30R)



4-prong plug

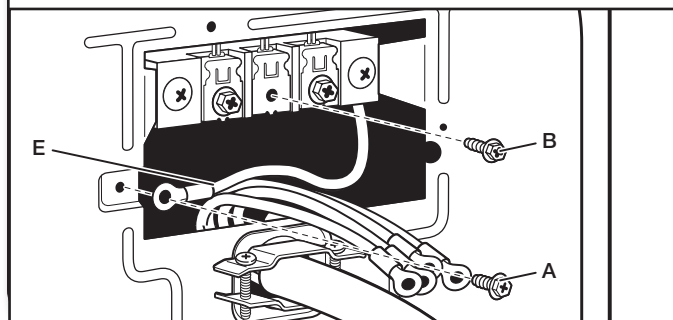


Spade terminals with upturned ends



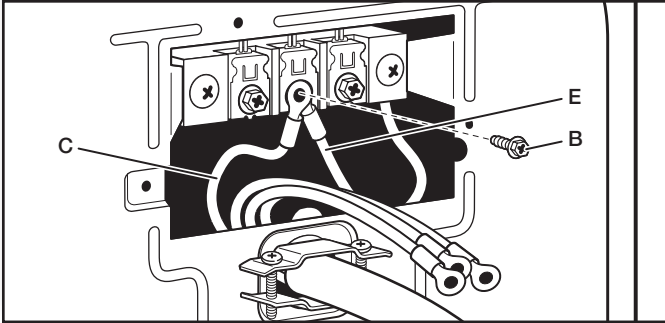
Ring terminals

1. Prepare to connect neutral ground wire and neutral wire



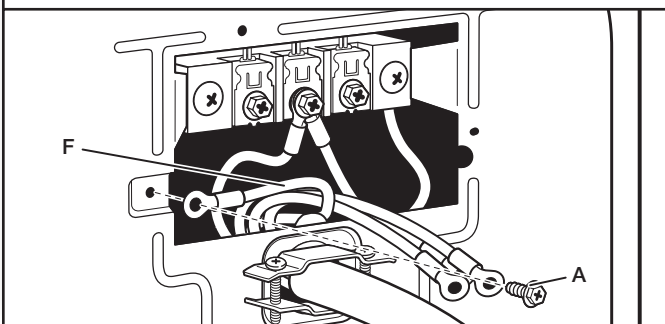
Remove center terminal block screw (B). Remove neutral ground wire (E) from external ground conductor screw (A).

2. Connect neutral ground wire and neutral wire



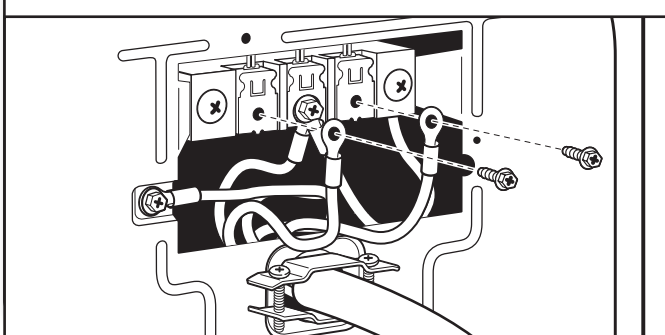
Connect neutral ground wire (E) and neutral wire (white) (C) of power supply cord under center terminal block screw (B). Tighten screw.

3. Connect ground wire



Connect ground wire (F) (green or bare) of power supply cord to external ground conductor screw (A). Tighten screw.

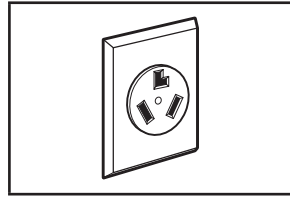
4. Connect remaining wires



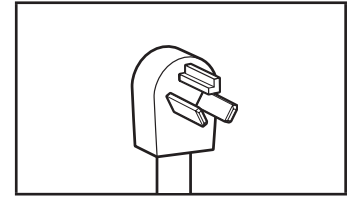
Connect remaining wires to outer terminal block screws. Tighten screws. Finally, reinsert tab of terminal block cover into slot of dryer rear panel. Secure cover with hold-down screw. Now, go to "Venting Requirements."

3-Wire Power Supply Cord Connection:

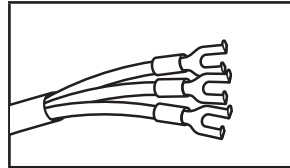
Use where local codes permit connecting cabinet-ground conductor to neutral wire.



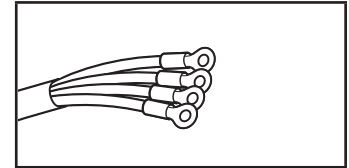
3-wire receptacle (NEMA type 10-30R)



3-prong plug

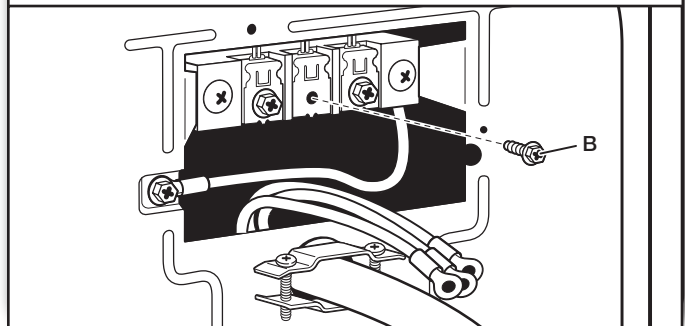


Spade terminals with upturned ends



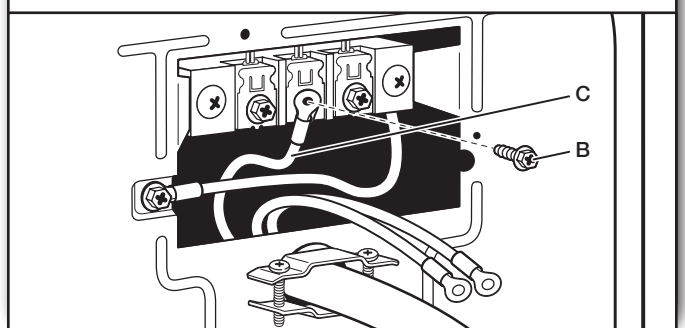
Ring terminals

1. Remove center screw



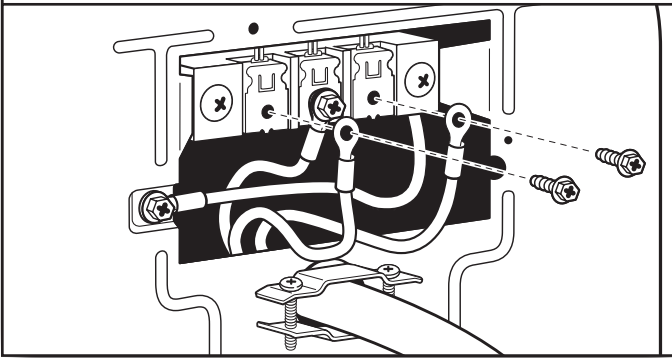
Remove center terminal block screw (B).

2. Connect neutral wire



Connect neutral wire (white or center) (C) of power supply cord to center terminal block screw (B). Tighten screw.

3. Connect remaining wires



Connect remaining wires to outer terminal block screws. Tighten screws. Finally, reinsert tab of terminal block cover into slot of dryer rear panel. Secure cover with hold-down screw. Now, go to "Venting Requirements."

DIRECT WIRE CONNECTION

⚠ WARNING



Fire Hazard

Use 10 gauge copper wire.

Use a UL listed strain relief.

Disconnect power before making electrical connections.

Connect neutral wire (white or center wire) to center terminal (silver).

Ground wire (green or bare wire) must be connected to green ground connector.

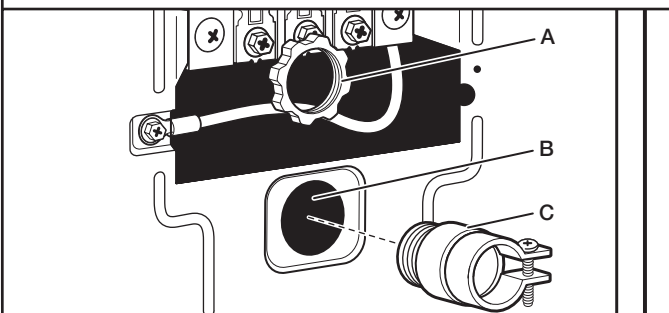
Connect remaining 2 supply wires to remaining 2 terminals (gold).

Securely tighten all electrical connections.

Failure to do so can result in death, fire, or electrical shock.

Direct Wire Strain Relief:

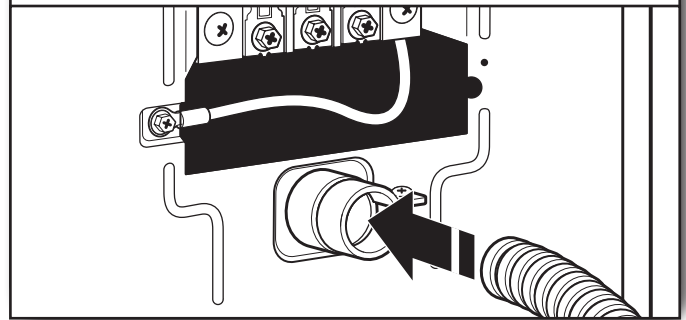
1. Attach direct wire strain relief



Unscrew the removable conduit connector (A) and any screws from a 3/4" (19 mm) UL Listed strain relief.

Put the threaded section of the strain relief (C) through the hole below the terminal block opening (B). Reaching inside the terminal block opening, screw the removable conduit connector (A) onto the strain relief threads.

2. Attach direct wire cable to strain relief



Put direct wire cable through the strain relief. The strain relief should have a tight fit with the dryer cabinet and be in a horizontal position. Tighten strain relief screw against the direct wire cable.

If your wiring looks like this:



4-wire direct connection:

Go to "4-Wire Direct Connection" on this page.



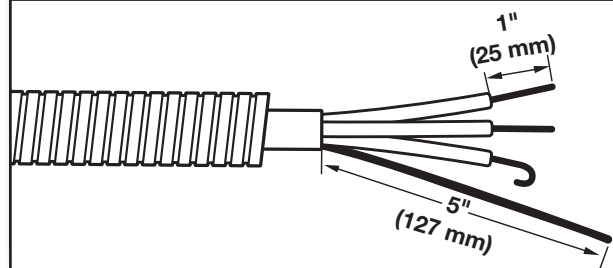
3-wire direct connection:

Go to "3-Wire Direct Connection" on page 11.

4-wire Direct Wire Connection:

IMPORTANT: A 4-wire connection is required for mobile homes and where local codes do not permit 3-wire connections.

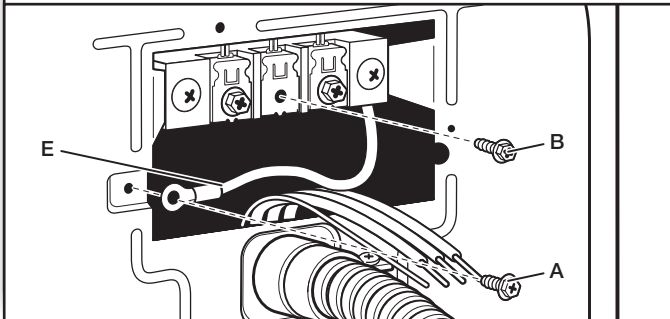
1. Prepare your 4-wire cable for direct connection



Direct wire cable must have 5 ft. (1.52 m) of extra length so dryer may be moved if needed.

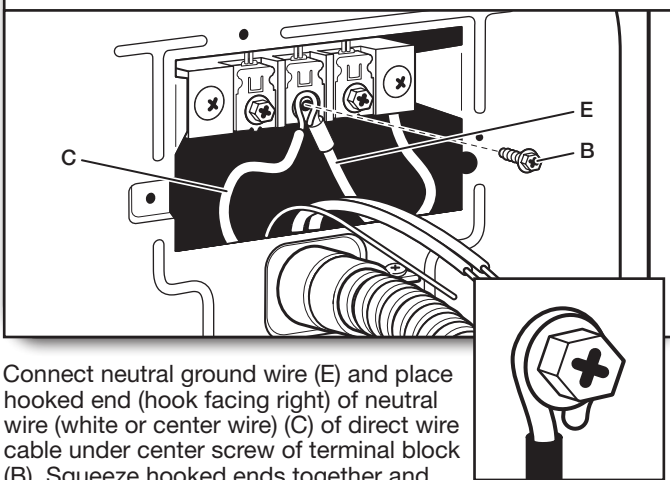
Strip 5" (127 mm) of outer covering from end of cable, leaving bare ground wire at 5" (127 mm). Cut 1 1/2" (38 mm) from remaining 3 wires. Strip insulation back 1" (25 mm). Shape ends of wires into hooks.

2. Prepare to connect neutral ground wire and neutral wire



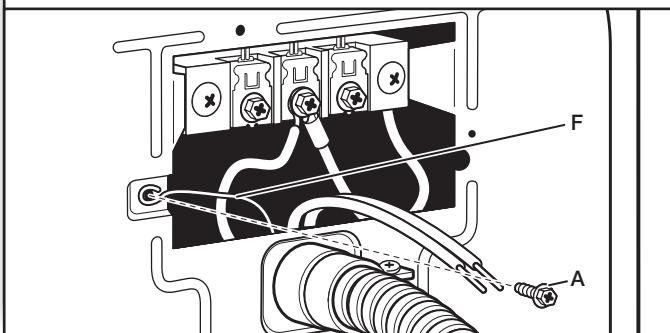
Remove center terminal block screw (B). Remove neutral ground wire (E) from external ground conductor screw (A).

3. Connect neutral ground wire and neutral wire



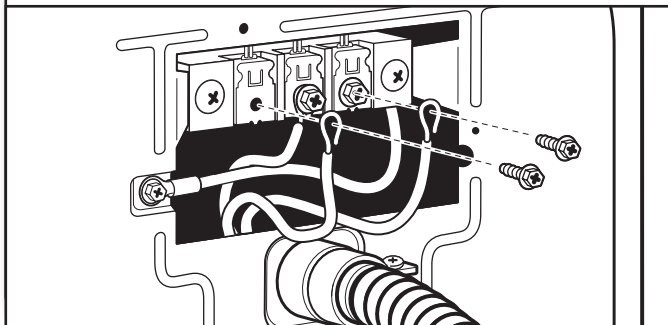
Connect neutral ground wire (E) and place hooked end (hook facing right) of neutral wire (white or center wire) (C) of direct wire cable under center screw of terminal block (B). Squeeze hooked ends together and tighten screw.

4. Connect ground wire



Connect ground wire (green or bare) (F) of direct wire cable to external ground conductor screw (A). Tighten screw.

5. Connect remaining wires

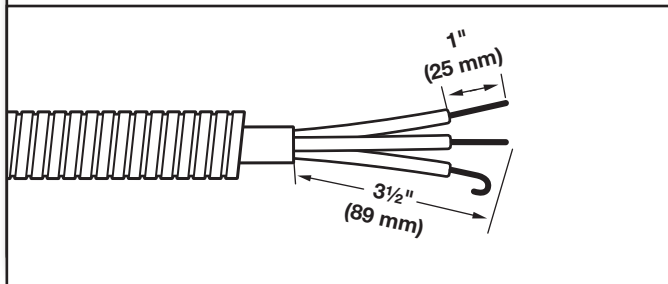


Place hooked ends of remaining direct wire cable wires under outer terminal block screws (hooks facing right). Squeeze hooked ends together and tighten screws. Finally, reinsert tab of terminal block cover into slot of dryer rear panel. Secure cover with hold-down screw. Now, go to "Venting Requirements."

3-wire Direct Wire Connection

Use where local codes permit connecting cabinet-ground conductor to neutral wire.

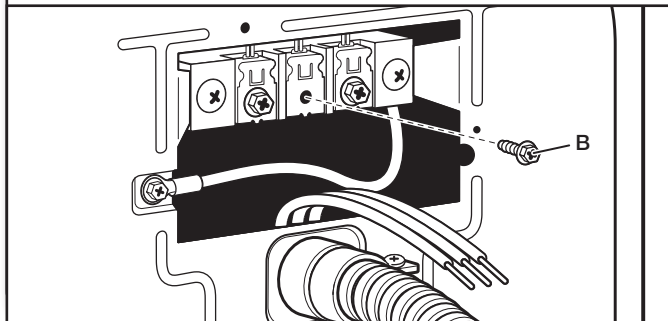
1. Prepare your 3-wire cable for direct connection



Direct wire cable must have 5 ft (1.52 m) of extra length so dryer may be moved if needed.

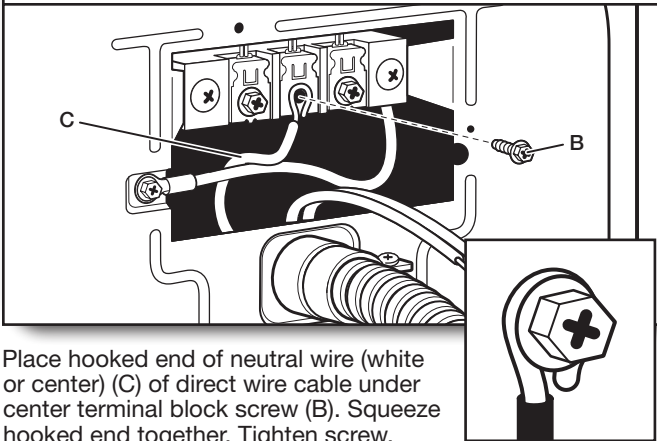
Strip 3 1/2" (89 mm) of outer covering from end of cable. Strip insulation back 1" (25 mm). If using 3-wire cable with ground wire, cut bare wire even with outer covering. Shape wire ends into hooks.

2. Remove center screw

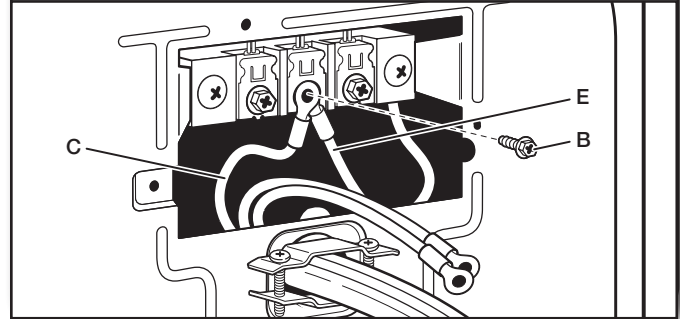


Remove center terminal block screw (B).

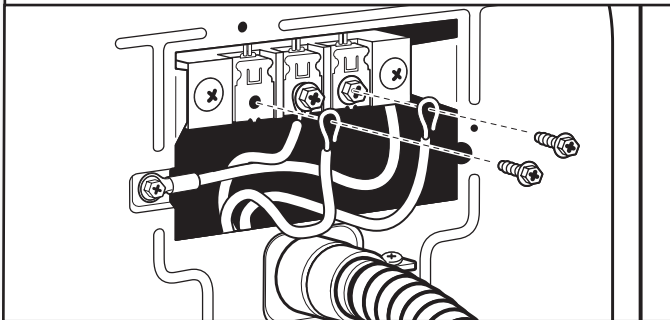
3. Connect neutral wire



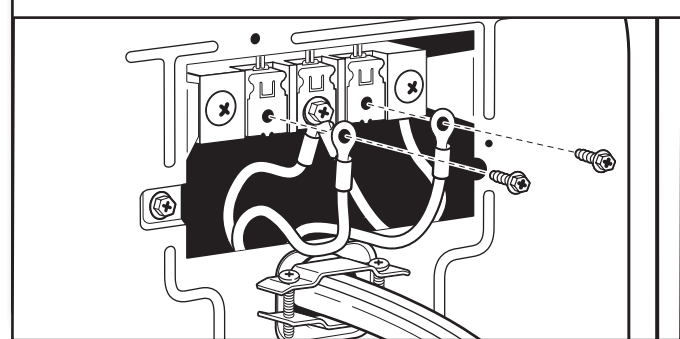
2. Connect neutral ground wire and neutral wire



4. Connect remaining wires



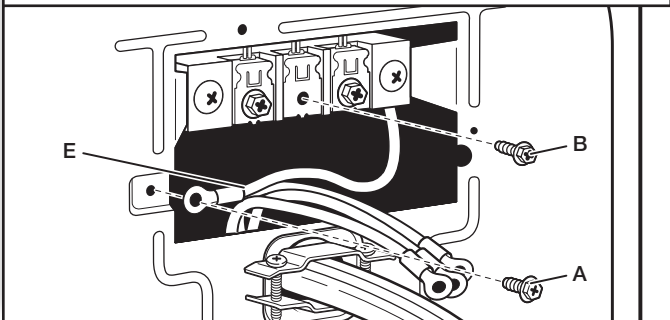
3. Connect remaining wires



Optional 3-wire Connection:

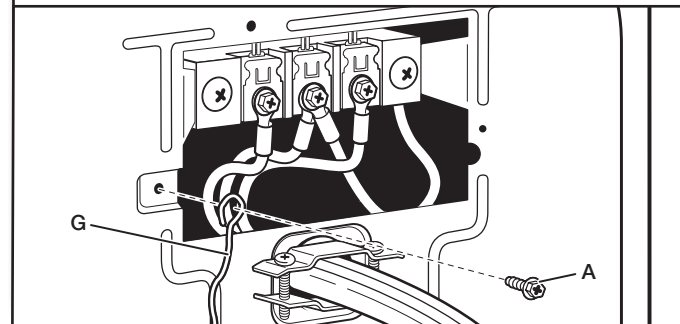
You must verify with a qualified electrician that this grounding method is acceptable before connecting.

1. Prepare to connect neutral ground wire and neutral wire



Remove center terminal block screw (B). Remove neutral ground wire (E) from external ground conductor screw (A).

4. Connect external ground wire



Connect a separate copper ground wire (G) from the external ground conductor screw (A) to an adequate ground. Finally, reinsert tab of terminal block cover into slot of dryer rear panel. Secure cover with hold-down screw. Now, go to "Venting Requirements."

MAKE GAS CONNECTION - U.S.A. AND CANADA

⚠ WARNING



Explosion Hazard

Use a new CSA International approved gas supply line.

Install a shut-off valve.

Securely tighten all gas connections.

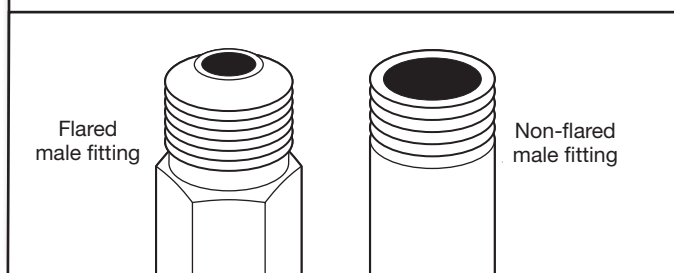
If connected to propane, have a qualified person make sure gas pressure does not exceed 13" (330 mm) water column.

Examples of a qualified person include:

licensed heating personnel,
authorized gas company personnel, and
authorized service personnel.

Failure to do so can result in death, explosion, or fire.

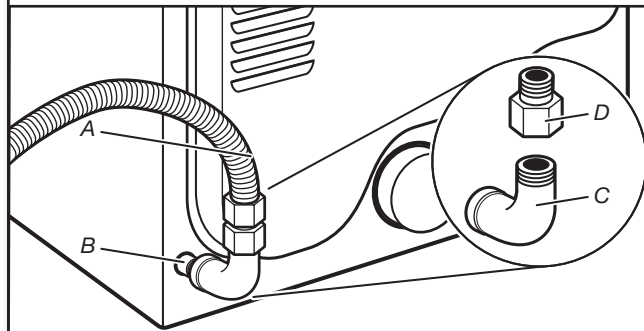
1. Connect gas supply to dryer



Remove red cap from gas pipe. Using a wrench to tighten, connect gas supply to dryer. Use pipe-joint compound on threads of all non-flared male fittings. If flexible metal tubing is used, be sure there are no kinks.

NOTE: For propane gas connections, you must use pipe-joint compound resistant to action of propane gas. Do not use TEFLON[®] tape.

2. Plan pipe fitting connection



A. 3/8" flexible gas connector

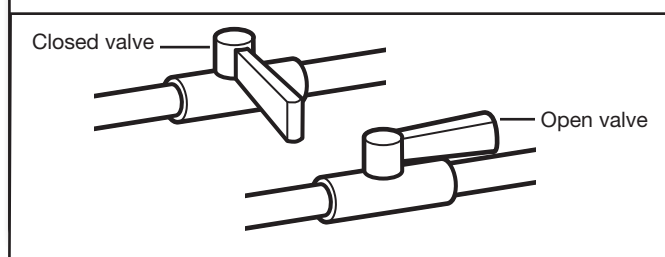
B. 3/8" dryer pipe

C. 3/8" to 3/8" pipe elbow

D. 3/8" pipe-to-flare adapter fitting

A combination of pipe fittings must be used to connect dryer to existing gas line. Recommended connection is shown. Your connection may be different, according to supply line type, size, and location.

3. Open shut-off valve



Open shut-off valve in supply line; valve is open when handle is parallel to gas pipe. Then, test all connections by brushing on an approved noncorrosive leak-detection solution. Bubbles will show a leak. Correct any leaks found.

VENTING

VENTING REQUIREMENTS

WARNING

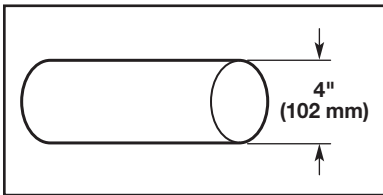


Fire Hazard

- Use a heavy metal vent.**
- Do not use a plastic vent.**
- Do not use a metal foil vent.**
- Failure to follow these instructions can result in death or fire.**

WARNING: To reduce the risk of fire, this dryer MUST BE EXHAUSTED OUTDOORS.

IMPORTANT: Observe all governing codes and ordinances. Dryer exhaust must not be connected into any gas vent, chimney, wall, ceiling, attic, crawl space, or a concealed space of a building. Only rigid or flexible metal vent shall be used for exhausting.



4" (102 mm) heavy metal exhaust vent

- Only a 4" (102 mm) heavy metal exhaust vent and clamps may be used.
- Do not use plastic or metal foil vent.

Rigid metal vent:

- Recommended for best drying performance and to avoid crushing and kinking.

Flexible metal vent: (Acceptable only if accessible to clean)

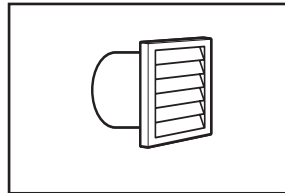
- Must be fully extended and supported in final dryer location.
- Remove excess to avoid sagging and kinking that may result in reduced airflow and poor performance.
- Do not install in enclosed walls, ceilings, or floors.
- The total length should not exceed 7³/₄ ft (2.4 m).
- The length of flexible metal vent used must be included in the overall vent system design as shown in the "Vent System Charts."

NOTE: If using an existing vent system, clean lint from entire length of the system and make sure exhaust hood is not plugged with lint. Replace plastic or metal foil vents with rigid metal or flexible metal vents. Review Vent System Chart and, if necessary, modify existing vent system to achieve best drying performance.

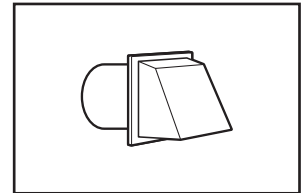
Exhaust hoods:

- Must be at least 12" (305 mm) from ground or any object that may obstruct exhaust (such as flowers, rocks, bushes, or snow).

Recommended Styles:

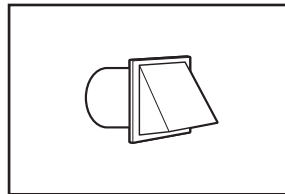


Louvered Hood



Box Hood

Acceptable Style:

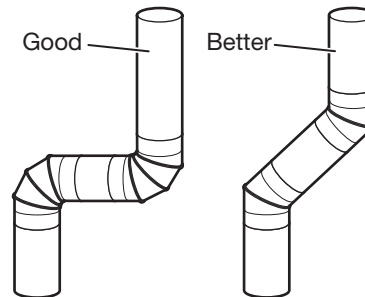


Angled Hood

Elbows:

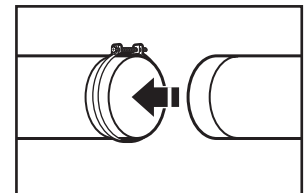
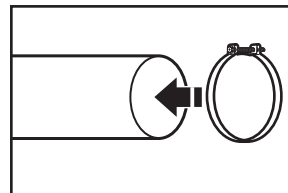
- 45° elbows provide better airflow than 90° elbows.

Recommended Styles:



Clamps:

- Use clamps to seal all joints.
- Exhaust vent must not be connected or secured with screws or other fastening devices that extend into interior of duct and catch lint. Do not use duct tape.

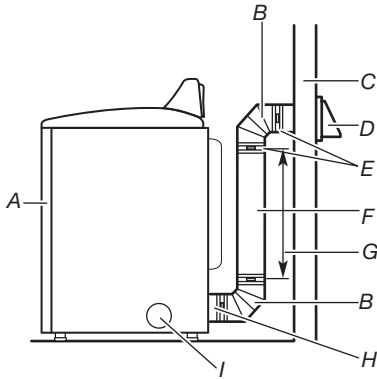


Vent products can be purchased from your dealer. For more information, see "Assistance or Service" section in your "Quick Reference Guide."

PLAN VENT SYSTEM

Recommended exhaust installations:


Typical installations vent the dryer from the rear of the dryer. Other installations are possible.



- A. Dryer
- B. Elbow
- C. Wall
- D. Exhaust hood
- E. Clamps
- F. Rigid metal or flexible metal vent
- G. Vent length necessary to connect elbows
- H. Exhaust outlet
- I. Optional side exhaust outlet

Optional exhaust installations:

⚠ WARNING



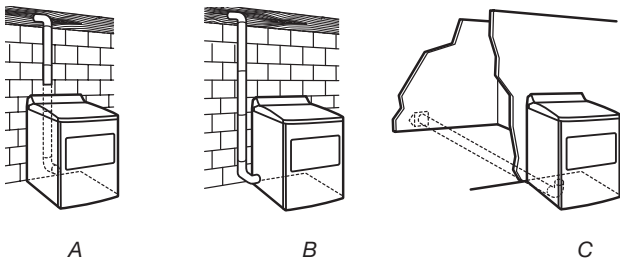
Fire Hazard

Cover unused exhaust holes with a manufacturer's exhaust cover kit.

Contact your local dealer.

Failure to follow these instructions can result in death, fire, electrical shock, or serious injury.

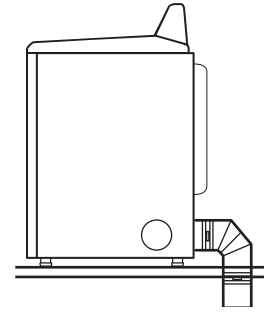
If you prefer, dryer may be converted to exhaust through the bottom and sides. You must contact your local dealer to have dryer converted.



- A. Standard rear offset exhaust installation
- B. Left or right side exhaust installation
- C. Bottom exhaust installation

Special provisions for mobile homes:

Exhaust vent must be securely fastened to a noncombustible portion of mobile home and must not terminate beneath the mobile home. Terminate exhaust vent outside.



Mobile Home Exhaust installation

Determine vent path:

- Select route that will provide straightest and most direct path outdoors.
- Plan installation to use fewest number of elbows and turns.
- When using elbows or making turns, allow as much room as possible.
- Bend vent gradually to avoid kinking.
- Use as few 90° turns as possible.

Determine vent length and elbows needed for best drying performance:

- Use following Vent System Chart to determine type of vent material and hood combinations acceptable to use.

NOTE: Do not use vent runs longer than those specified in Vent System Chart. Exhaust systems longer than those specified will:

- Shorten life of dryer.
- Reduce performance, resulting in longer drying times and increased energy usage.

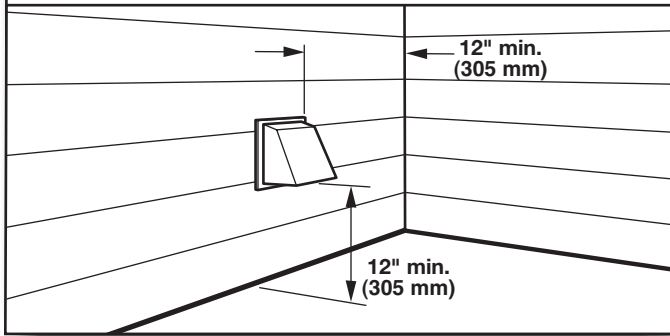
The Vent System Charts provide venting requirements that will help achieve best drying performance.

Vent System Chart		
Number of 90° turns or elbows	Type of vent	Angled hoods
0	Rigid metal	64 ft (20 m)
1	Rigid metal	54 ft (16.5 m)
2	Rigid metal	44 ft (13.4 m)
3	Rigid metal	35 ft (10.7 m)
4	Rigid metal	27 ft (8.2 m)

NOTE: Bottom exhaust installations have a 90° turn inside the dryer. To determine maximum exhaust length, add one 90° turn to the charts.

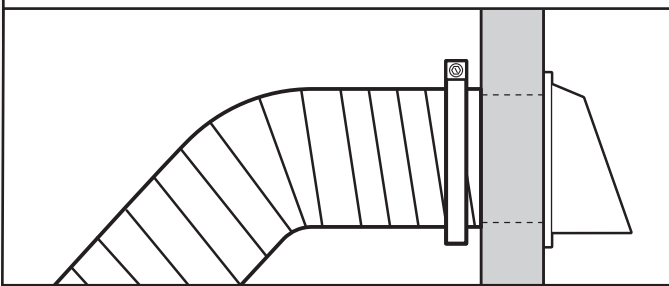
INSTALL VENT SYSTEM

1. Install exhaust hood



Install exhaust hood and use caulking compound to seal exterior wall opening around exhaust hood.

2. Connect vent to exhaust hood



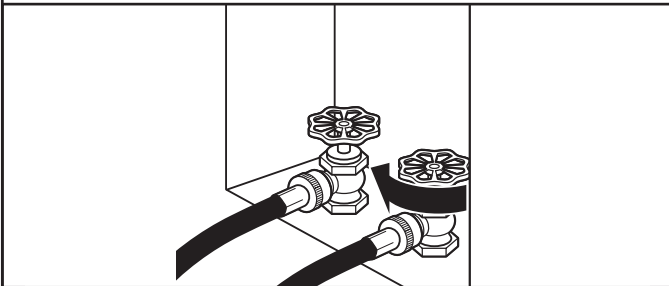
Vent must fit over the exhaust hood. Secure vent to exhaust hood with 4" (102 mm) clamp. Run vent to dryer location using straightest path possible. Avoid 90° turns. Use clamps to seal all joints. Do not use duct tape, screws, or other fastening devices that extend into interior of vent to secure vent, because they can catch lint.

CONNECT INLET HOSES

For non-steam models, skip to "Connect Vent."

The dryer must be connected to the cold water faucet using the new inlet hoses. Do not use old hoses.

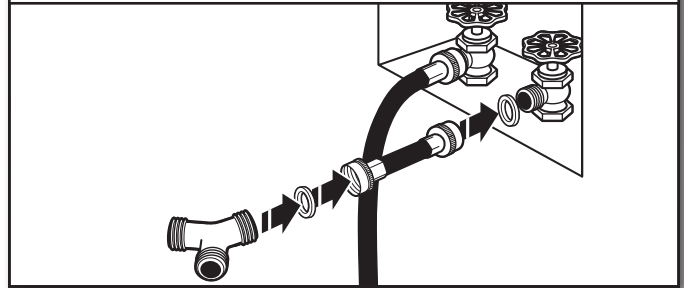
1. Turn cold water off, remove and replace rubber washer



Turn cold water faucet off and remove washer inlet hose.

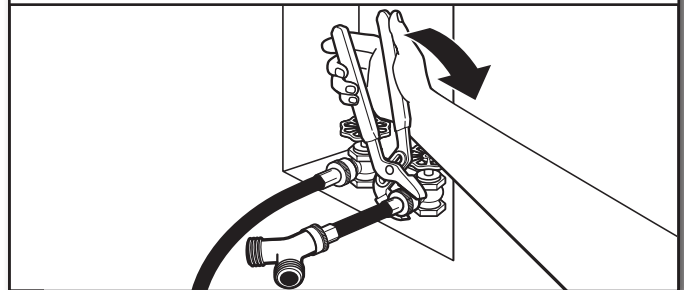
Remove old rubber washer from inlet hose and replace with new rubber washer.

2. Attach short hose and "Y" connector



Attach 2 ft (0.6 m) inlet hose to cold water faucet. Screw on coupling by hand until it is seated on faucet. Then attach "Y" connector to male end of the 2 ft (0.6 m) inlet hose. Screw on coupling by hand until it is seated on connector.

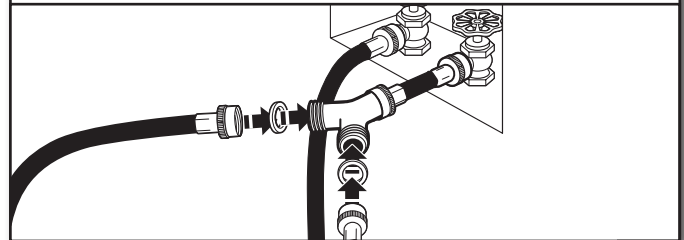
3. Tighten couplings



Using pliers, tighten the couplings with additional two-thirds turn.

NOTE: Do not overtighten. Damage to the coupling can result.

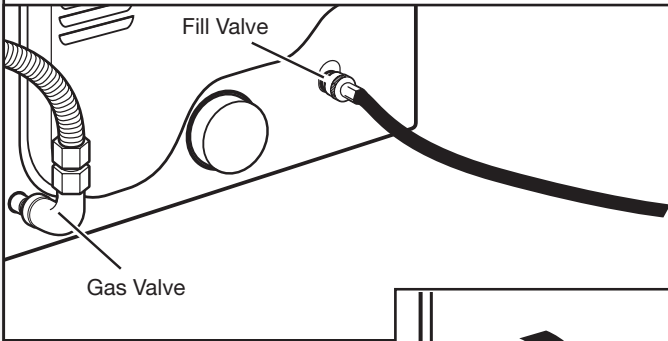
4. Attach long hose to "Y" connector and tighten couplings



Attach dryer 5 ft (1.5 m) inlet hose ends to the "Y" connector. Attach washer cold inlet hose to other side of "Y" connector. Screw on coupling by hand until it is seated on connector. Using pliers, tighten the couplings an additional two-thirds turn.

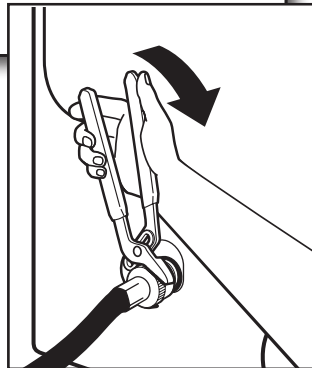
NOTE: Do not overtighten. Damage to the coupling can result.

5. Attach long hose to dryer fill valve and tighten coupling

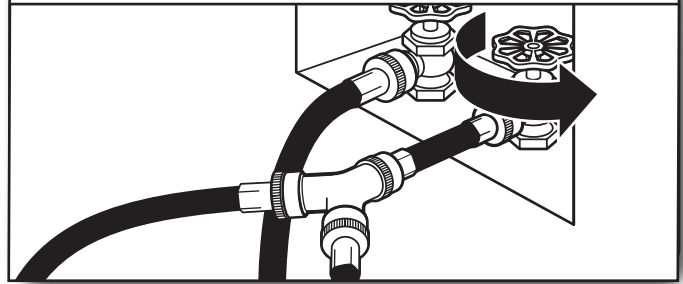


Attach other end of long hose to fill valve at bottom of dryer back panel. Screw on coupling by hand until it is seated on fill valve connector. Using pliers, tighten the couplings an additional two-thirds turn.

NOTE: Do not overtighten. Damage to the coupling can result.

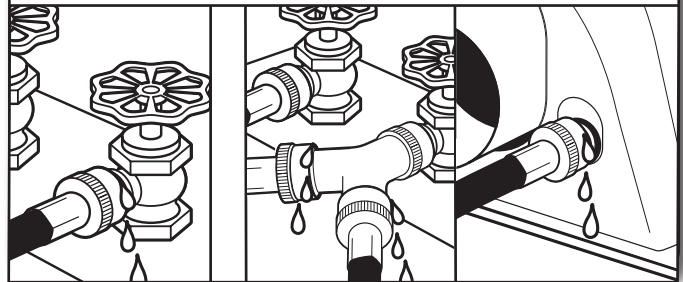


6. Turn on cold water faucet



Check that the water faucet is turned on.

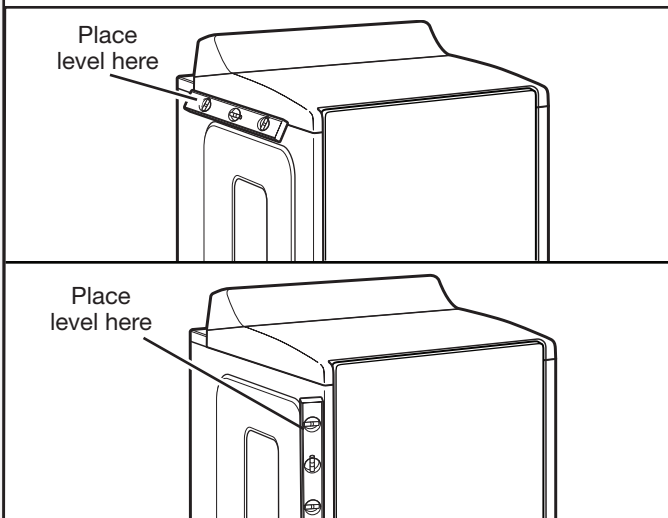
7. Check for leaks



Check for leaks around "Y" connector, faucets, and hoses.

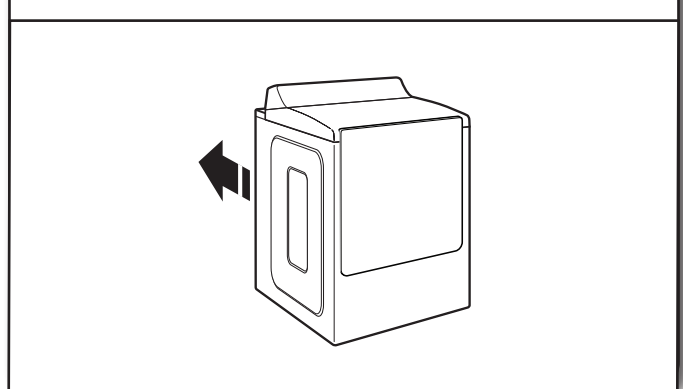
CONNECT VENT

1. Level Dryer



Using a 4" (102 mm) clamp, connect vent to exhaust outlet in dryer. If connecting to existing vent, make sure vent is clean. Dryer vent must fit over dryer exhaust outlet and inside exhaust hood. Check that vent is secured to exhaust hood with a 4" (102 mm) clamp.

2. Move dryer to final location



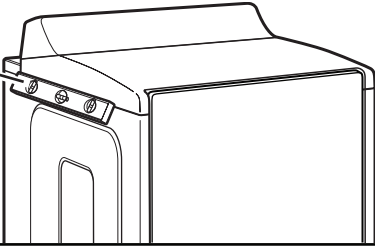
Move dryer to final location. Avoid crushing or kinking vent.

Check levelness of dryer from side to side. Repeat from front to back.

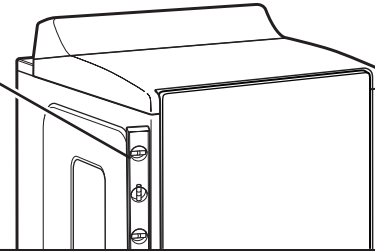
LEVEL DRYER

1. Level Dryer

Place level here

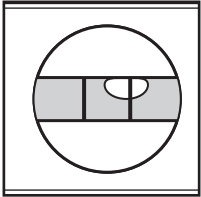


Place level here

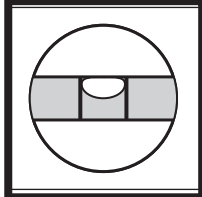


Check levelness of dryer from side to side. Repeat from front to back.

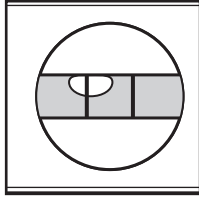
NOTE: The dryer must be level for the moisture sensing system to operate correctly.



Not Level

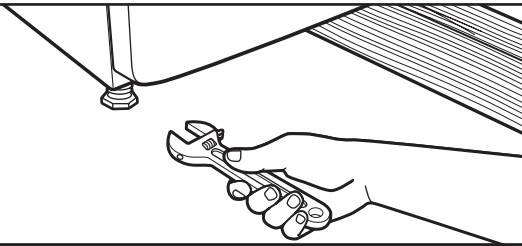


LEVEL



Not Level

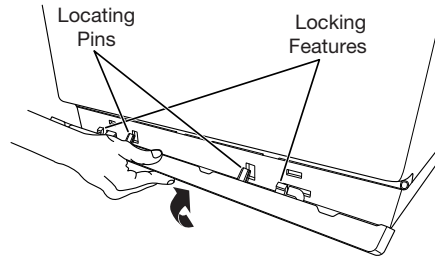
2. Adjust leveling legs



If dryer is not level, prop up using a wood block. Use wrench to adjust legs up or down, and check again for levelness.

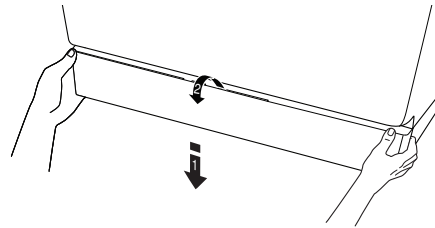
3. Base trim (on some models)

To Install:



Place the base trim to bottom of dryer and match the locating pins with the holes. Press the base trim firmly upwards until it snaps into place.

To Remove:



On each corner. 1) Push down on top of base trim. 2) Rotate away from dryer and remove.

COMPLETE INSTALLATION CHECKLIST

- Check that all parts are now installed. If there is an extra part, go back through steps to see what was skipped.
- Check that you have all of your tools.
- Dispose of/recycle all packaging materials.
- Check dryer's final location. Be sure vent is not crushed or kinked.
- Check that dryer is level. See "Level Dryer."
- Remove film on console and any tape remaining on dryer.
- Wipe dryer drum interior thoroughly with a damp cloth to remove any dust.
- Read "Dryer Use" in your "Quick Reference Guide."

Electric Models:

- For power supply cord installation, plug into a grounded outlet. For direct wire installation, turn on Power.

Gas Models:

- Check that gas supply is on.
- Check for leaks.

Steam Models Only:

- Be sure the water faucets are on.
- Check for leaks around "Y" connector, faucet, and hoses.
- If you live in a hard water area, use of a water softener is recommended to control the buildup of scale through the water system in the dryer. Over time, the buildup of lime scale may clog different parts of the water system, which will reduce product performance. Excessive scale buildup may lead to the need for certain part replacement or repair.

All Models:

- Select a Timed Dry heated cycle, and start dryer. Do not select Air Only Temperature setting.

If dryer will not start, check the following:

- Controls are set in a running or "ON" position. Start button has been pushed firmly.
- Dryer is plugged into an outlet and/or electrical supply is connected.
- Household fuse is intact and tight, or circuit breaker has not tripped.
- Dryer door is closed.

This dryer automatically runs an installation diagnostic routine at the start of its first cycle.

If your dryer heater is not turning on, then you might have power supply problem in your house. You will receive L2 code for this problem. "See Troubleshooting."

If your Airflow screen reads "Check Vent", your dryer vent may be crushed or blocked. See "Troubleshooting."

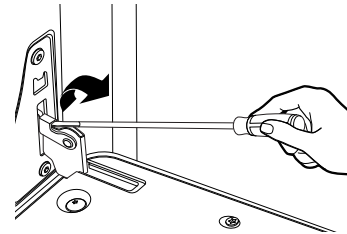
NOTE: You may notice an odor when dryer is first heated. This odor is common when heating element is first used. The odor will go away.

DRYER DOOR (ON SOME MODELS)

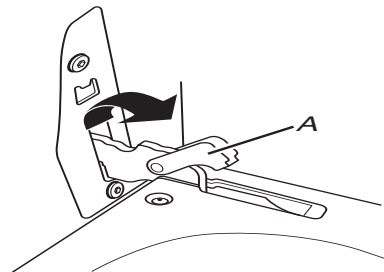
For normal dryer use, it is not suggested to remove the dryer door. However, if removal is necessary, make sure the dryer is off and cool. Then, follow these instructions. The dryer door is heavy.

To Remove:

1. Open dryer door all the way.
2. Use flat head screw driver to open hinge latch.



3. Pinch the hinge latch between two fingers and pull forward. Repeat on other side of dryer door.



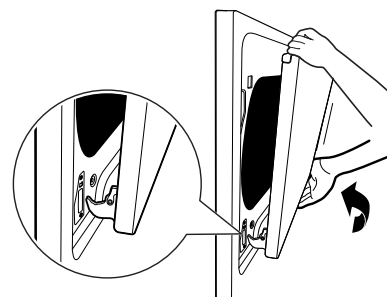
A. Hinge latch

4. Close the dryer door as far as it will shut.
5. Lift the dryer door while holding both sides. Continue to push the dryer door closed and pull it away from the dryer frame.



To Replace:

1. Insert both hanger arms into the front panel.

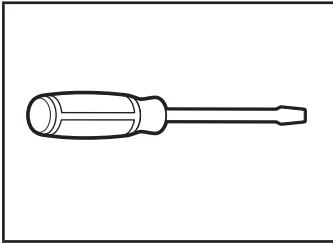


2. Open the dryer door. You should hear a "click" as the door is set into place.
3. Move the hinge levers back to the locked position. Check that the door is free to open and close. If it is not, repeat the removal and installation procedures.

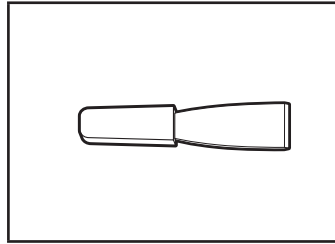
DOOR REVERSAL (ON SOME MODELS)

The following instructions are applicable for models with side opening door.

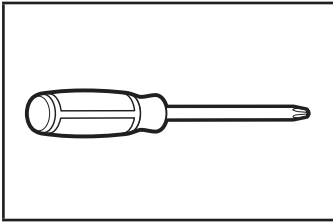
Tools Needed:



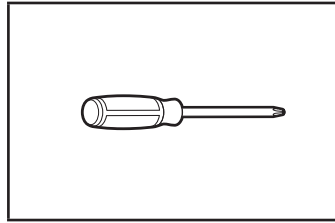
Flat-blade screwdriver



Plastic putty knife



Min. 8" long TORX T20® screwdriver



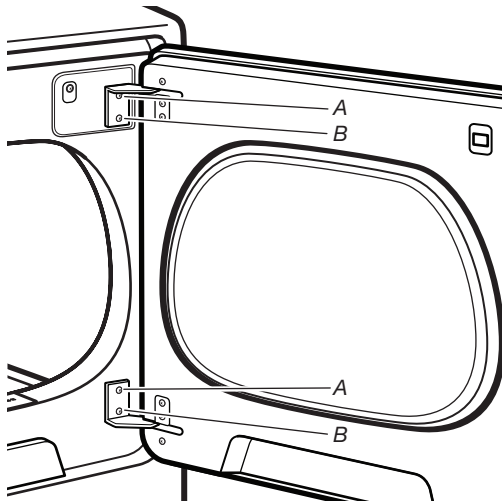
#2 Phillips screwdriver

You can change your door swing from a right-side opening to a left-side opening, if desired.

1. Place a towel or soft cloth on top of dryer or work space to avoid damaging the surface.

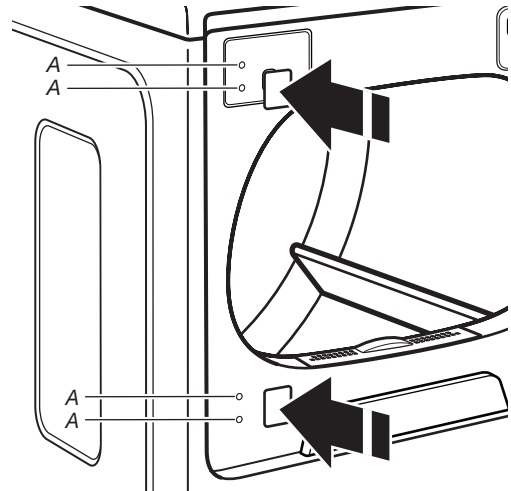
Remove door from dryer cabinet:

1. Open the dryer door.
2. Using a T20® screwdriver, remove screws (A) and then (B) screws from each of the two hinges that attach dryer door to front panel of dryer. Set the hinge screws off to the side for reinstalling the door.



3. Remove the dryer door by lifting upward and out to lift the door off the cabinet. Lay the door on a flat, covered surface, with the inside of the door facing up.

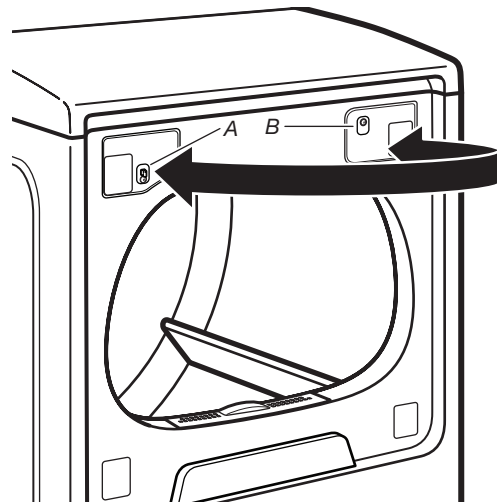
4. Remove the 2 plastic plugs (A) located outside the dryer door opening.



5. Install 2 plastic plugs (A) into screw holes where the hinges were removed in Step 4.

Reverse the strike:

1. Remove the door strike (A) from the dryer door opening.
2. Remove the cosmetic screw (B) (on some models) opposite the door strike (A).



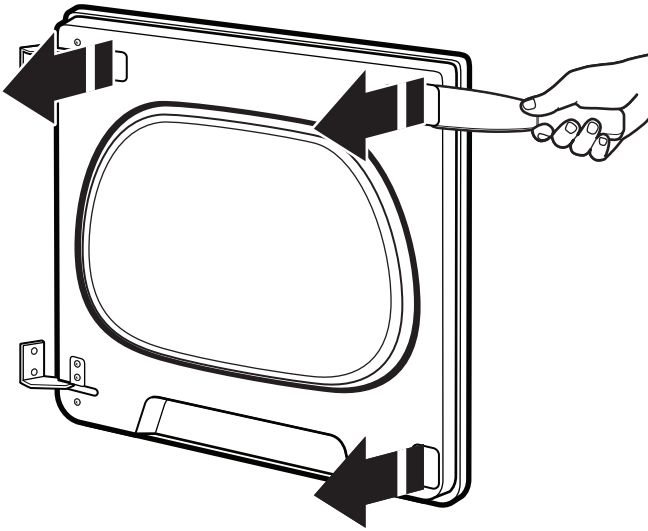
A. Door strike
B. Cosmetic screw (on some models)

3. Reinstall the door strike and cosmetic screw (on some models) on the opposite side of dryer door opening from where they were removed.

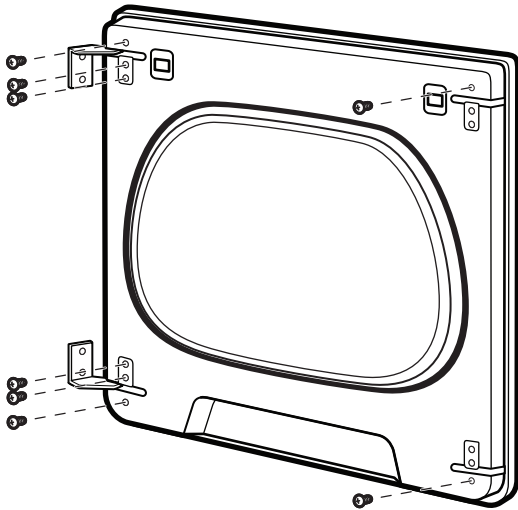
NOTE: Door strike and plugs must be on the same side of the dryer door opening.

Remove the door assembly:

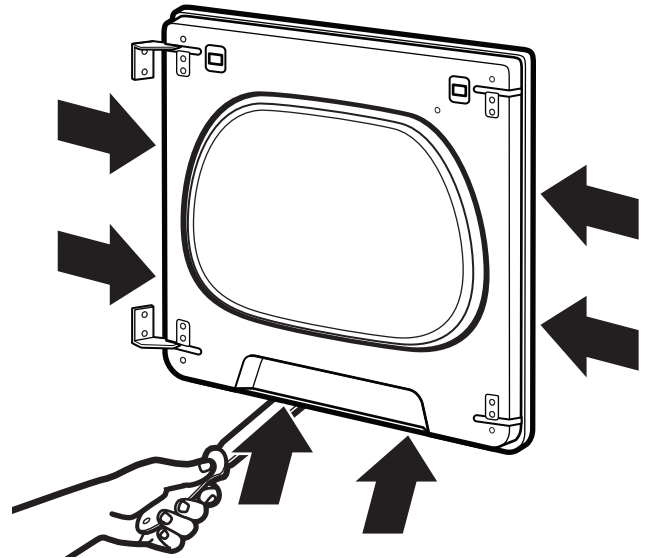
1. Lay the door on a flat, covered surface with the inside of the door facing up. Remove the 3 plugs with a plastic putty knife. There is a cut out to stick the putty knife under to pop out.



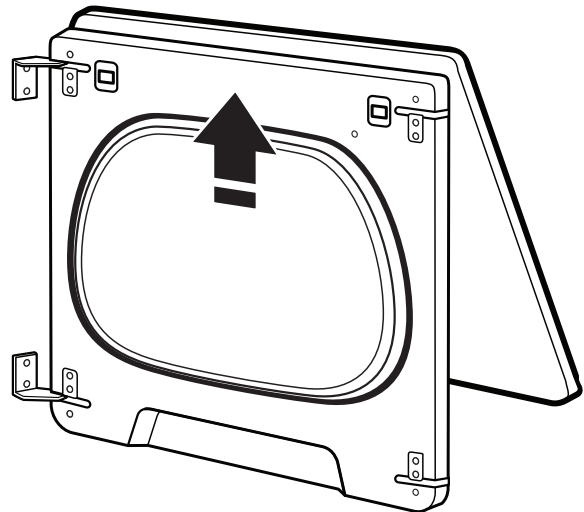
2. Remove the 8 screws from the dryer door and setscrews off to the side.



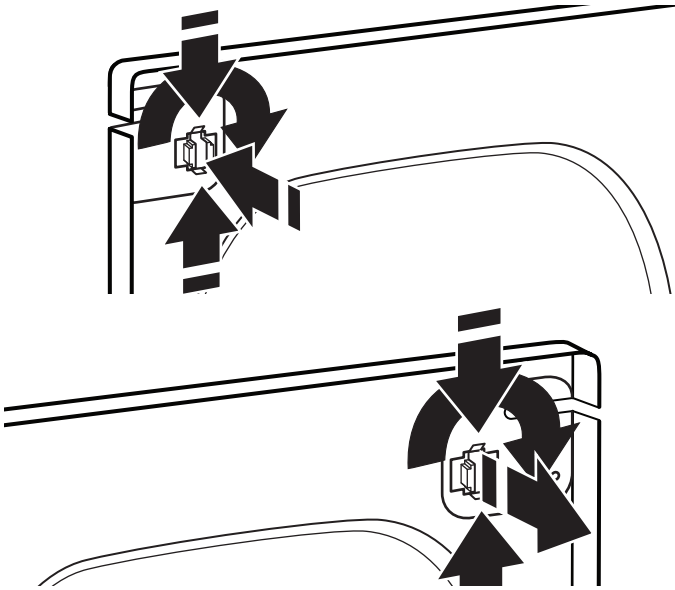
3. Remove the inner door by using a plastic putty knife to separate the sides and bottom of the dryer door and trim. There are 2 snaps on left, right, and bottom of door. Insert the putty knife next to the snaps.



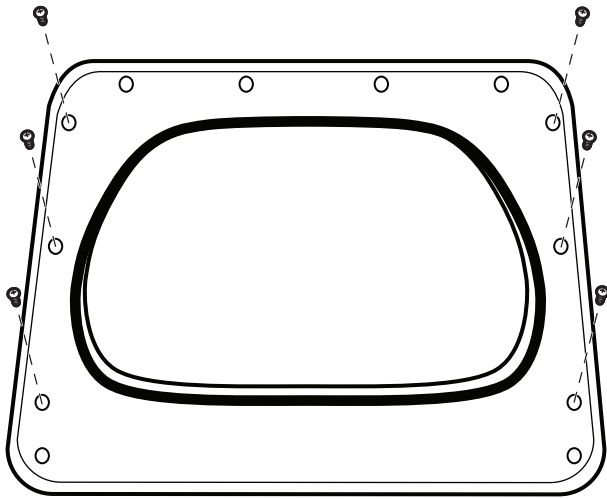
4. When you have the door separated from the frame, use a putty knife to lift up in the center tab and then pull door toward you and out.



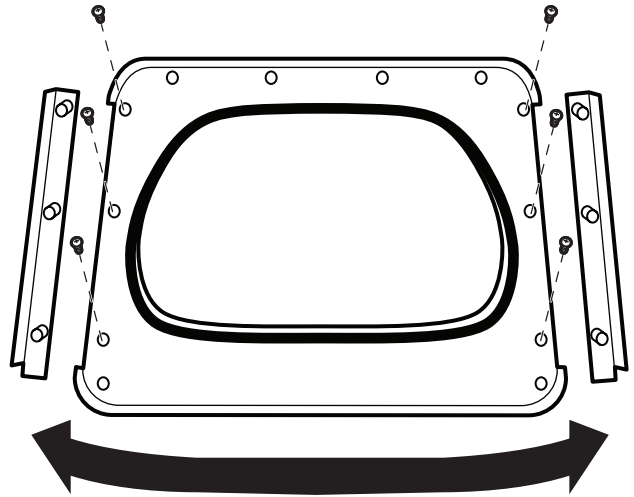
5. Remove the door strike plug with a flathead screwdriver. Remove door strike by pinching the clips from the inside door panel and then rotate and push out the front. Insert door strike on the other side of dryer door by pushing in and then add the door strike plug.



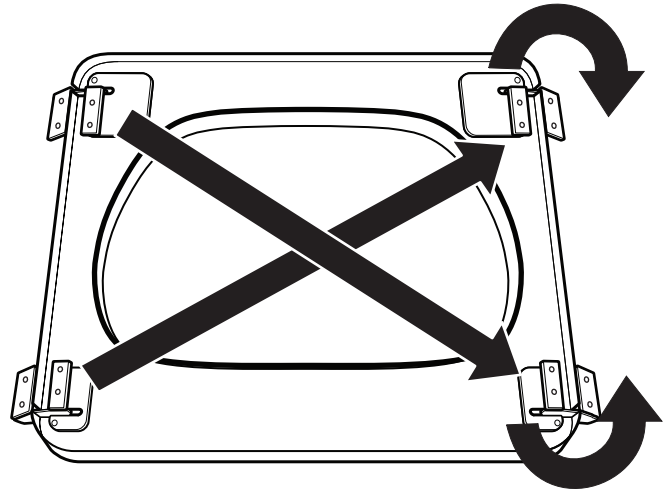
6. Remove the door hinges and set off to the side.
7. Remove the 3 screws down the left and right sides of the door to remove the outer trim pieces.



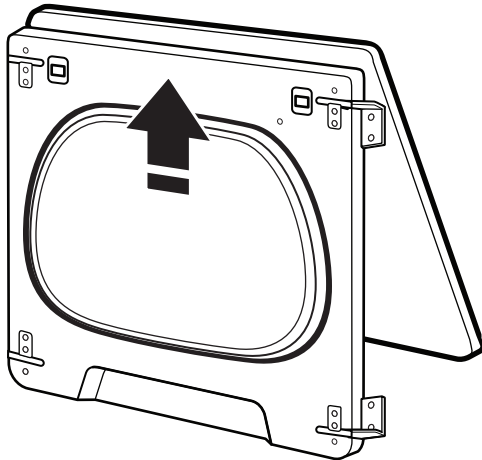
8. Lift door up and rotate trim pieces to the opposite side from which they were removed. Then screw trim pieces back in.



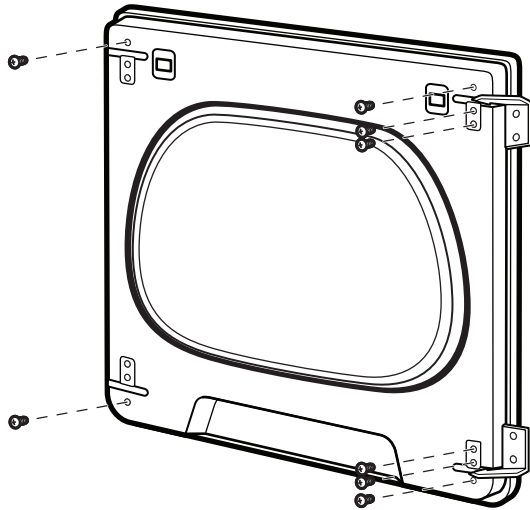
9. Add the hinges to the right side of the door and then flip the hinge labeled 1 to the bottom of the right side and the hinge labeled 2 to the top of the right side of the door.



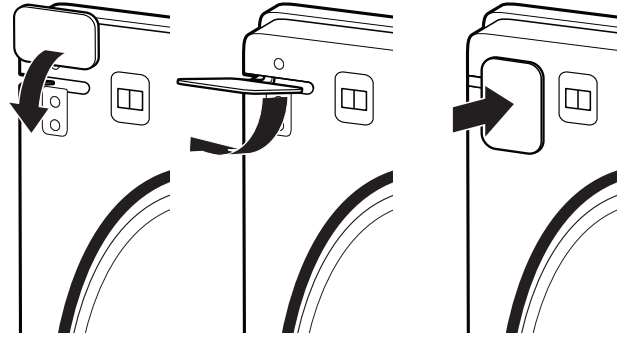
10. Add inside door panel back into the dryer door by sliding the top into the top trim piece and then lower door down. Then press down on the corners to snap into place with the hinges lined up with the hinge holes.



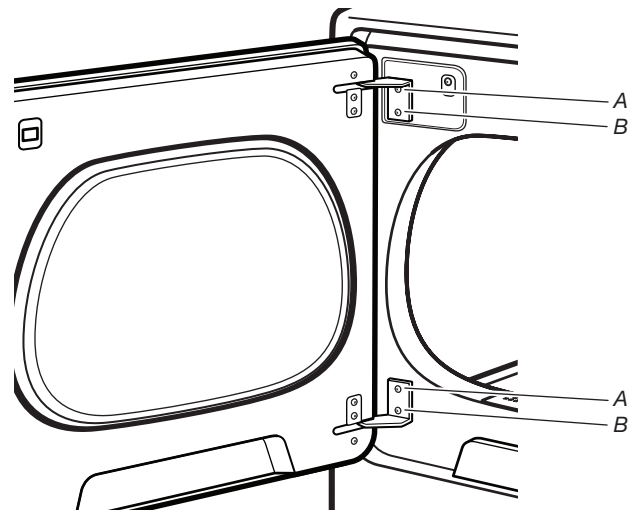
11. Install 6 hinge screws and the other 2 screws.



12. Install hinge covers and plugs. Hinge covers will go in sideways to then rotate 90° and snap into place.



13. Hang door by placing set pin in dryer cabinet hole and slide door down. Using a T20® screwdriver, install (A) screws and then (B) screws. Tighten all hinge screws.



DRYER CARE

CLEANING THE DRYER LOCATION

Keep dryer area clear and free from items that would block the airflow for proper dryer operation. This includes clearing piles of laundry in front of the dryer.

! WARNING



Explosion Hazard

Keep flammable materials and vapors, such as gasoline, away from dryer.

Place dryer at least 18 inches (46 cm) above the floor for a garage installation.

Failure to do so can result in death, explosion, or fire.

CLEANING THE DRYER INTERIOR

To clean dryer drum

1. Use a mild hand dish detergent mixed at a low concentration with very warm water, and rub with a soft cloth.
2. Rinse well with a wet sponge or towel.
3. Tumble a load of clean clothes or towels to dry drum
OR

Use a microfiber cloth and hot water in a spray bottle to clean the drum and a second microfiber towel to dry.

NOTE: Garments that contain unstable dyes, such as denim blue jeans or brightly colored cotton items, may discolor the rear of the dryer interior. These stains are not harmful to your dryer and will not stain future loads of clothes. Dry unstable dye items inside out to avoid transfer of dye.

REMOVING ACCUMULATED LINT

From Inside the Dryer Cabinet

Lint should be removed every 2 years, or more often, depending on dryer usage. Cleaning should be done by a qualified appliance servicer or ventilation system cleaner.

From the Exhaust Vent

Lint should be removed every 2 years, or more often, depending on dryer usage.

CLEANING THE LINT SCREEN

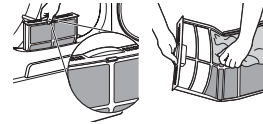
Every load cleaning

The lint screen is located in the door opening of the dryer. A screen blocked by lint can increase drying time.

To clean:

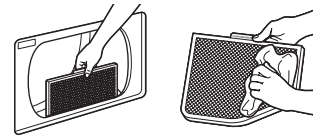
Style 1

1. Pull the lint screen straight up and out. Press tab down on front and open lint screen. Roll lint off the screen with your fingers. Do not rinse or wash screen to remove lint. Wet lint is hard to remove.



Style 2

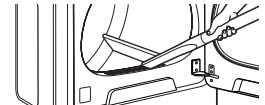
1. Pull the lint screen out of its holder. Roll lint off the screen with your fingers. Do not rinse or wash screen to remove lint. Wet lint is hard to remove.



2. Push the lint screen firmly back into place.

IMPORTANT:

- Do not run the dryer with the lint screen loose, damaged, blocked, or missing. Doing so can cause overheating and damage to both the dryer and fabrics.
- If lint falls off the screen into the dryer during removal, check the exhaust hood and remove the lint. See "Venting Requirements" in the Installation Instructions.
- Clean space where lint screen is located, as needed. Using a vacuum, gently remove any lint that has accumulated outside of the lint screen.



As-needed cleaning

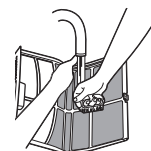
Laundry detergent and fabric softener residue can build up on the lint screen. This buildup can cause longer drying times for your clothes, or cause the dryer to stop before your load is completely dry. The screen is probably clogged if lint falls off while the screen is in the dryer.

Clean the lint screen with a nylon brush every 6 months, or more frequently, if it becomes clogged due to a residue buildup.

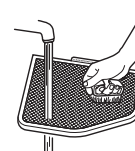
To wash:

1. Roll lint off the screen with your fingers.
2. Wet both sides of lint screen with hot water.
3. Wet a nylon brush with hot water and liquid detergent. Scrub lint screen with the brush to remove residue buildup.

Style 1



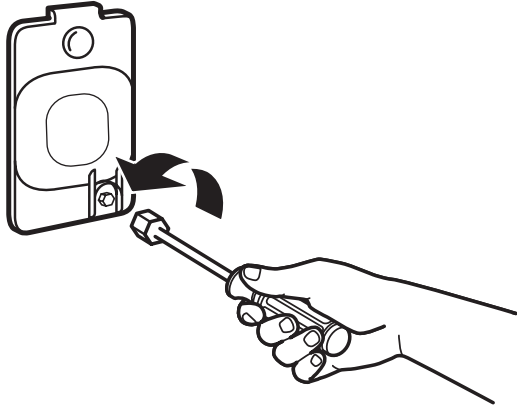
Style 2



4. Rinse screen with hot water.
5. Thoroughly dry lint screen with a clean towel. Reinstall screen in dryer.

CHANGING THE DRUM LIGHT (ON SOME MODELS)

1. Unplug dryer or disconnect power.
2. Open the dryer door. Locate the light bulb cover on the back wall of the dryer. Using a 1/4" (6 mm) nut driver or socket wrench, remove the screw located in the lower right-hand corner of the cover. Remove the cover.



3. Turn bulb counterclockwise. Replace the bulb with a 10 W appliance bulb only. Replace the cover and secure with the screw.
4. Plug into a grounded outlet or reconnect power.

CHECK YOUR VENT SYSTEM FOR GOOD AIR FLOW

! WARNING



Fire Hazard

- Use a heavy metal vent.
 - Do not use a plastic vent.
 - Do not use a metal foil vent.
- Failure to follow these instructions can result in death or fire.

GOOD AIR FLOW

Along with heat, dryers require good air flow to efficiently dry laundry. Proper venting will reduce your drying times and improve your energy savings. See Installation Instructions.

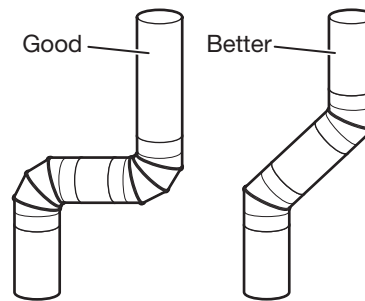
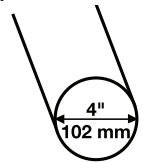
The venting system attached to the dryer plays a big role in good air flow. Blocked or crushed vents as well as improper venting installation will reduce air flow and dryer performance.

GOOD AIR FLOW (CONTD.)

Service calls caused by improper venting are not covered by the warranty and will be paid by the customer, regardless of who installed the dryer. To clean or repair venting, contact a venting specialist.

MAINTAIN GOOD AIR FLOW BY:

- Cleaning your lint screen before each load.
- Replace plastic or foil vent material with 4" (102 mm) diameter heavy, rigid vent material.
- Use the shortest length of vent possible.
- Use no more than four 90° elbows in a vent system; each bend and curve reduces air flow.



- Remove lint and debris from the exhaust hood.
- Remove lint from the entire length of the vent system at least every 2 years. When cleaning is complete, be sure to follow the Installation Instructions supplied with your dryer for final product check.
- Clear away items from the front of the dryer.

NON-USE, STORAGE, AND MOVING CARE

Steam models only: Install and store your dryer where it will not freeze. Because some water may stay in the hose, freezing can damage your dryer. If storing or moving your dryer during freezing weather, winterize it.

Non-Use or Storage Care

If you will be on vacation or not using your dryer for an extended period of time, you should:

1. Unplug dryer or disconnect power.
2. Clean lint screen. See "Cleaning the Lint Screen."
3. Turn off the water supply to the dryer. This helps to avoid unintended flooding (due to a water pressure surge) while you are away.

Moving Care

For power supply cord-connected dryers:

1. Unplug the power supply cord.
2. Gas models only: Close shut-off valve in gas supply line.
3. Gas models only: Disconnect gas supply line pipe and remove fittings attached to dryer pipe.
4. Gas models only: Cap the open fuel supply line.
5. Steam models only: Shut off water faucet.
6. Steam models only: Disconnect the water inlet hose from faucet, then drain the hose. Transport hose separately.
7. Make sure leveling legs are secure in dryer base.
8. Use tape to secure dryer door.
9. On models with base trim: Remove base trim before moving dryer. See "Base trim".

SPECIAL INSTRUCTIONS FOR STEAM MODELS

Water Inlet Hose

Replace inlet hose and hose screen after 5 years of use to reduce the risk of hose failure. Periodically inspect and replace inlet hose if bulges, kinks, cuts, wear, or leaks are found.

When replacing your inlet hose, record the date of replacement.

To Winterize the Dryer

1. Unplug dryer or disconnect power.
2. Shut off water faucet.
3. Disconnect water inlet hose from faucet and drain.

To Use the Dryer Again

1. Flush water pipes. Reconnect water inlet hose to faucet. Turn on water faucet.
2. Plug in dryer or reconnect power as described in the Installation Instructions.

⚠ WARNING



Electrical Shock Hazard

Disconnect power before servicing.

Replace all parts and panels before operating.

Failure to do so can result in death or electrical shock.

For direct-wired dryers:

1. Disconnect power.
2. Disconnect wiring from dryer and secure wire ends.
3. Steam models only: Shut off water faucet.
4. Steam models only: Disconnect the water inlet hose from faucet; then drain the hose. Transport hose separately.
5. Make sure leveling legs are secure in dryer base.
6. Use tape to secure dryer door.
7. On models with base trim: Remove base trim before moving dryer. See "Base trim".

Reinstalling the Dryer

Follow the Installation Instructions to locate, level, and connect the dryer.

SÉCURITÉ DE LA SÉCHEUSE

Votre sécurité et celle des autres est très importante.

Nous donnons de nombreux messages de sécurité importants dans ce manuel et sur votre appareil ménager. Assurez-vous de toujours lire tous les messages de sécurité et de vous y conformer.



Voici le symbole d'alerte de sécurité.

Ce symbole d'alerte de sécurité vous signale les dangers potentiels de décès et de blessures graves à vous et à d'autres.

Tous les messages de sécurité suivront le symbole d'alerte de sécurité et le mot "DANGER" ou "AVERTISSEMENT". Ces mots signifient :

⚠ DANGER

Risque possible de décès ou de blessure grave si vous ne suivez pas immédiatement les instructions.

⚠ AVERTISSEMENT

Risque possible de décès ou de blessure grave si vous ne suivez pas les instructions.

Tous les messages de sécurité vous diront quel est le danger potentiel et vous disent comment réduire le risque de blessure et ce qui peut se produire en cas de non-respect des instructions.

⚠ AVERTISSEMENT

Risque d'incendie

Le non-respect de cet avertissement peut causer des blessures graves, des dommages à la propriété ou le décès.

Ne pas installer de ventilateur d'appoint dans le conduit d'évacuation.

Installer toutes les sècheuses en respectant les instructions d'installation du fabricant de la sècheuse.

IMPORTANT : L'installation au gaz doit être conforme aux codes locaux, ou en l'absence de codes locaux, au Code National d'alimentation au gaz, à la norme ANSI Z223.1/NFPA 54 ou au Code des installations au gaz naturel et au propane, CSA-B149.1.

La sècheuse doit être correctement reliée à la terre en conformité avec les codes locaux en vigueur, ou en l'absence de tels codes, avec le National Electrical Code, ANSI/NFPA 70 ou le Code canadien des installations électriques, CSA C22.1 partie 1.



AVERTISSEMENT - “Risque d’incendie”

- L’installation de la sècheuse à linge doit être effectuée par un installateur qualifié.
- Installer la sècheuse conformément aux instructions du fabricant et aux codes locaux.
- Ne pas installer de sècheuse à linge avec des matériaux d’évacuation en plastique souple ou un conduit métallique souple (de type papier d’aluminium). Si un conduit métallique souple est installé, celui-ci doit être d’un type spécifique identifié par le fabricant de l’appareil et convenir à une utilisation avec les sècheuses à linge. Les matériaux d’évacuation souples sont connus pour s’affaisser, être facilement écrasés et bloquer la charpie. Ces situations obstrueront le débit d’air de la sècheuse à linge et augmenteront le risque d’incendie.
- Pour réduire le risque de blessure grave ou de décès, suivre toutes les instructions d’installation.
- Conserver ces instructions.

Dans l’État du Massachusetts, les instructions d’installation suivantes sont applicables :

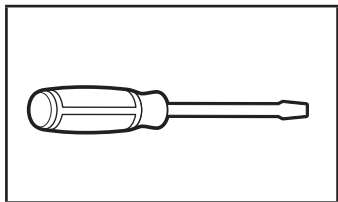
- Les travaux d’installation et réparation doivent être exécutés par un plombier ou tuyauteur qualifié ou licencié, ou par le personnel qualifié d’une entreprise licenciée par l’État du Massachusetts.
- Remplacer par des dispositifs de fermeture acceptables : Les robinets de gaz et robinets à bille installés pour l’utilisation devraient être indiqués.
- Si un conduit de raccordement flexible est utilisé, sa longueur ne doit pas dépasser 4 pi (121,9 cm).

EXIGENCES D'INSTALLATION

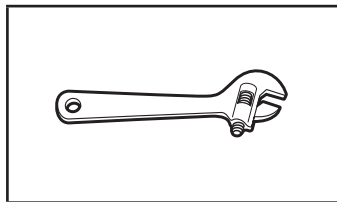
OUTILS ET PIÈCES

Rassembler les outils et pièces nécessaires avant d'entreprendre l'installation. Lire et observer les instructions fournies avec chacun des outils de la liste ci-dessous.

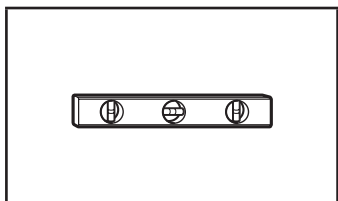
Outils nécessaires à toutes les installations :



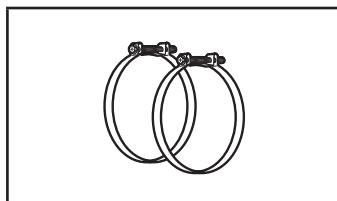
Tournevis à tête plate



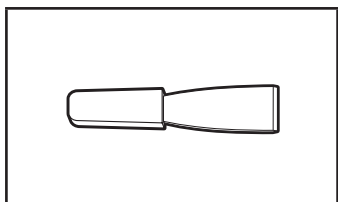
Clé à molette avec ouverture jusqu'à 1 po ou clé à douille hexagonale



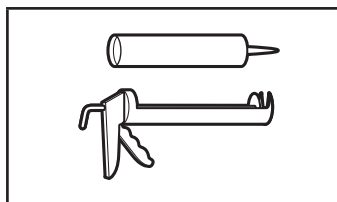
Niveau



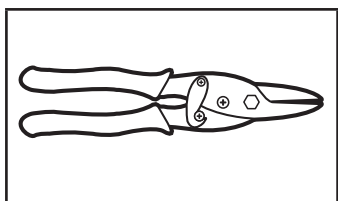
Brides de conduit



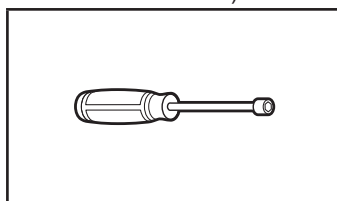
Couteau à mastic en plastique



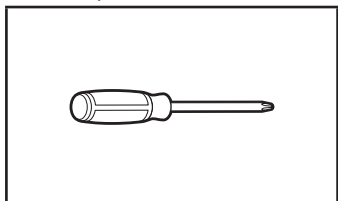
Pistolet à calfeutrage et composé de calfeutrage (pour l'installation d'un nouveau conduit d'évacuation)



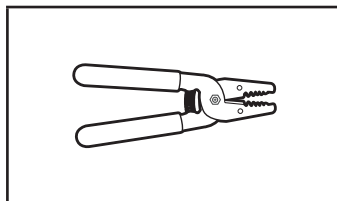
Cisaille de ferblantier (pour l'installation d'un nouveau conduit)



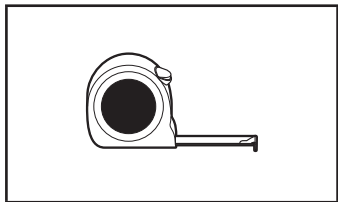
Tourne-écrou de 1/4 po (recommandé)



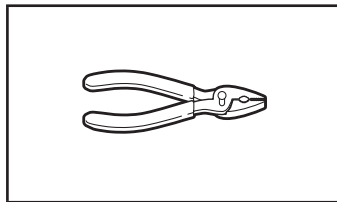
Tournevis à tête cruciforme no 2



Pince à dénuder (pour les installations à raccordement direct)

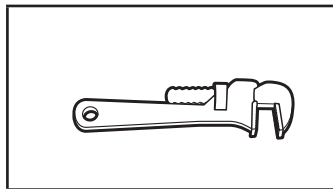


Ruban à mesurer

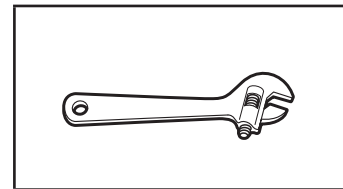


Pince

Outils nécessaires pour les installations à gaz :



Clé à tuyau de 8 po ou 10 po

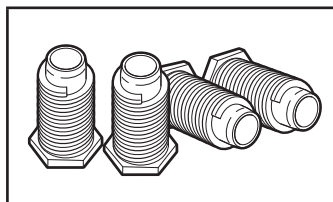


Clé à molette de 8 po ou 10 po (pour le raccordement au gaz)



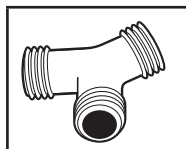
Composé d'étanchéité des raccords filetés résistant au gaz propane

Pièces fournies (tous les modèles) :



Pieds de nivellement (4)

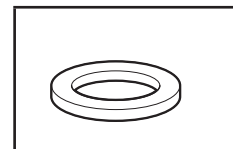
Pièces nécessaires (modèles à vapeur) :



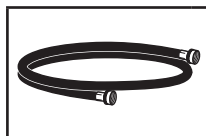
Raccord en « Y »



Tuyau d'alimentation court



Rondelle en caoutchouc (4)



Tuyau d'arrivée d'eau

En cas d'utilisation d'un cordon d'alimentation :

Utiliser un ensemble de cordon d'alimentation électrique homologué UL marqué pour utilisation avec les sècheuses à vêtements. L'ensemble doit contenir :

- Un cordon d'alimentation de 30 A homologué UL, d'une tension nominale de 120/240 V minimum et d'une température nominale de 140 °F (60 °C) minimum. Le cordon doit être de type SRD ou SRDT et mesurer au moins 4 pi (1,22 m) de long. Les fils raccordés à la sècheuse doivent se terminer par des cosse rondes ou à fourche à pointes relevées.

- Serre-câbles (homologation UL)

Pièces nécessaires : (non fournies avec la sècheuse)
Consulter les codes locaux. Vérifier l'alimentation électrique et le circuit d'évacuation existants. Voir « Installations électriques » et « Exigences concernant l'évacuation » avant d'acheter les pièces.

Les installations pour maison mobile nécessitent un système d'évacuation en métal disponible chez le marchand chez qui vous avez acheté votre sècheuse. Pour plus d'informations, voir la section « Assistance ou service » dans le « Guide de référence rapide ».

EXIGENCES D'EMPLACEMENT

⚠ AVERTISSEMENT



Risque d'explosion

Garder les matières et les vapeurs inflammables, telle que l'essence, loin de la sècheuse.

Placer la sècheuse au moins 46 cm (18 po) au-dessus du plancher pour une installation dans un garage.

Le non-respect de ces instructions peut causer un décès, une explosion ou un incendie.

Il faut :

- Un emplacement permettant une évacuation appropriée. Voir la section « Exigences concernant l'évacuation ».
- Un circuit distinct de 15 ou 20 A est requis pour les sècheuses à gaz et un circuit distinct de 30 A est requis pour les sècheuses électriques.
- Si on utilise un cordon d'alimentation, une prise électrique reliée à la terre située à 2 pi (610 mm) maximum d'un des côtés de la sècheuse. Consulter les « Spécifications électriques ».
- Le plancher doit pouvoir soutenir le poids de la sècheuse de 200 lb (90,7 kg). Tenir également compte du poids des appareils voisins.
- Un plancher de niveau avec une pente maximale de 1 po (25 mm) sous l'ensemble de la sècheuse. Si l'inclinaison est supérieure à 1 po (25 mm), les vêtements peuvent ne pas culbutter convenablement et les programmes de détection automatiques peuvent ne pas fonctionner correctement.
- Pour une installation dans un garage, placer la sècheuse au moins 18 po (460 mm) au-dessus du plancher.
- **Modèles à vapeur uniquement :** Des robinets d'eau froide situés à 4 pi (1,2 m) maximum des valves de remplissage, et une pression d'eau de 20 à 100 lb/po² (137,9 à 689,6 kPa). Il est possible d'utiliser l'entrée d'eau de la laveuse en achetant les pièces nécessaires indiquées dans la section « Pièces nécessaires ».

IMPORTANT : Ne pas installer, remiser ou faire fonctionner la sècheuse à un emplacement où elle sera exposée à de l'eau, des intempéries ou à des températures inférieures à 45 °F (7 °C). À des températures inférieures, la sècheuse pourrait ne pas s'arrêter à la fin des programmes de détection automatique, ce qui entraînerait le prolongement du temps de séchage.

REMARQUE : Aucun autre appareil consommant un combustible ne doit être installé dans le même placard.

DÉGAGEMENTS D'INSTALLATION

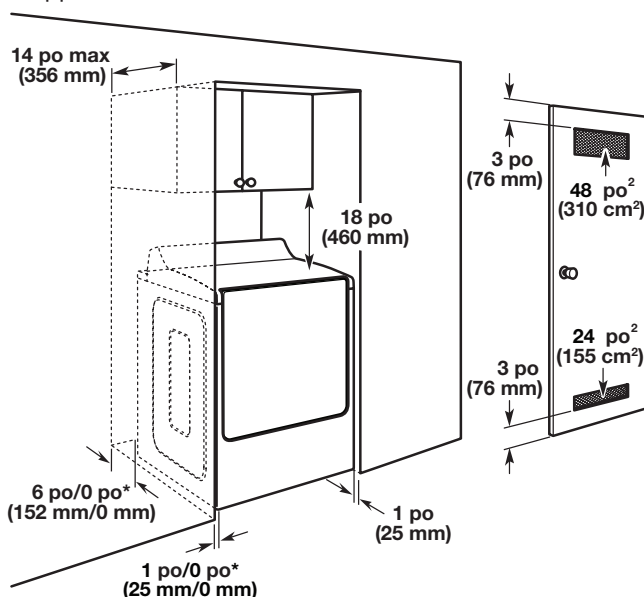
Pour chaque type de configuration, prévoir davantage de dégagement pour faciliter l'installation et l'entretien : laisser suffisamment de dégagement pour les appareils ménagers voisins et pour les murs, les portes et les plinthes. L'espacement doit être assez grand pour permettre d'ouvrir complètement la porte. Ajouter un espace supplémentaire tout autour de la sècheuse pour réduire le transfert de bruit. Si l'on installe une porte de placard ou une porte à persiennes, des ouvertures d'aération au sommet et au bas de la porte sont nécessaires.

Vérifier les spécifications des codes. Certains codes limitent ou interdisent l'installation des sècheuses dans un garage, un placard, une résidence mobile ou une chambre à coucher. Contacter l'inspecteur en bâtiments local.

Espacement pour une installation dans un encastrement ou dans un placard :

Les dimensions indiquées correspondent à l'espacement recommandé permis.

- Prévoir davantage d'espace pour faciliter l'installation et l'entretien.
- Un espace supplémentaire peut être requis pour les moulures de porte et de plancher et pour les plinthes.
- Un espace supplémentaire de 1 po (25 mm) de tous les côtés de la sècheuse est recommandé pour réduire le transfert du bruit.
- Pour installation dans un placard avec porte, on doit prévoir des ouvertures minimums d'entrée d'air en haut et en bas de la porte. Les portes à claire-voie offrant des ouvertures équivalentes de passage de l'air sont acceptables.
- Il faut aussi prendre en compte l'espace requis entre les appareils voisins.



*Dégagement minimum recommandé

Installation dans une résidence mobile – Exigences supplémentaires :

Cette sècheuse peut être installée dans une maison mobile.

L'installation doit satisfaire les critères de la Manufactured Home Construction and Safety Standard, Titre 24 CFR, partie 3280 (anciennement Federal Standard for Mobile home construction and Safety, Titre 24 HUD, partie 280) ou de la Norme CAN/CSA-Z240MH.

Critères à respecter pour une installation dans une maison mobile :

Toutes les sècheuses :

- Un système d'évacuation en métal est disponible à l'achat chez votre revendeur. Pour plus d'informations, voir la section « Assistance ou service » dans le « Guide de référence rapide ».
- Il faut prendre des dispositions spéciales dans les résidences mobiles pour l'apport d'air de l'extérieur dans la sècheuse. Les ouvertures (telle qu'une fenêtre à proximité) devraient être au moins deux fois plus grandes que l'ouverture de décharge de la sècheuse.

Pour les installations en résidence mobile avec sècheuse à gaz :

- Il est possible de commander un ensemble d'ancrage au sol pour installation en résidence mobile. Pour plus d'informations, voir la section « Assistance ou service » dans le « Guide de référence rapide ».

SPÉCIFICATIONS ÉLECTRIQUES – É.-U. SEULEMENT

C'est à l'utilisateur qu'incombe la responsabilité de :

- Contacter un électricien qualifié.
- S'assurer que le raccordement électrique est adéquat et conforme au code national de l'électricité, ANSI/NFPA 70 – dernière édition, et à tous les codes et règlements locaux en vigueur.

Le National Electrical Code impose un raccordement à 4 fils de l'alimentation électrique pour les maisons construites après 1996, les circuits de sècheuse modifiés après 1996 et toutes les installations de maisons mobiles.

Pour obtenir un exemplaire des normes des codes ci-dessus, contacter : National Fire Protection Association, One Batterymarch Park, Quincy, MA 02269.

- L'appareil doit être alimenté uniquement par un circuit monophasé à 3 ou 4 fils de 120/240 V CA, 60 Hz (ou 3 ou 4 fils, 120/208 V, si précisé sur la plaque signalétique) sur un circuit séparé et protégé par un fusible ou un disjoncteur de 30 A sur chacun des 2 câbles. On recommande également que cet appareil soit alimenté par un circuit indépendant. Ne pas avoir de fusible dans le circuit neutre ou de mise à la terre.
- Ne pas utiliser de rallonge.
- Si les codes le permettent et si on utilise un conducteur distinct de mise à la terre, il est recommandé qu'un électricien qualifié vérifie la qualité de la mise à la terre.

Raccordement électrique

Pour installer la sècheuse de façon appropriée, il faut établir le type de raccords électriques que l'on utilisera et suivre les instructions de ce document.

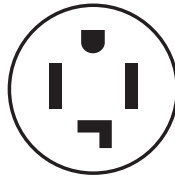
- Cette sècheuse est prête à l'installation avec un raccordement à l'alimentation électrique à 3 fils. Le fil de terre neutre est définitivement raccordé au conducteur neutre (fil blanc) à l'intérieur de la sècheuse. Si la sècheuse est installée avec un raccordement à 4 fils à l'alimentation électrique, le fil de terre neutre doit être retiré de la vis du connecteur de terre externe (vis verte) et fixé sous la borne du neutre (fil du centre ou blanc) du bornier. Lorsque le fil de terre neutre est fixé sous la borne du neutre (fil du centre ou blanc) du bornier, la caisse de la sècheuse est isolée du conducteur neutre.
- Si les codes locaux n'autorisent pas le raccordement d'un conducteur de liaison à la terre au fil neutre, voir « Raccordement optionnel à 3 fils ».
- Un raccordement à 4 fils de l'alimentation électrique doit être utilisé lorsque l'appareil est installé dans un lieu où la mise à la terre par le conducteur neutre est interdite. Il est interdit de relier l'appareil à la terre par l'intermédiaire du conducteur neutre dans les cas suivants : (1) nouvelle installation de circuit secondaire, (2) maison mobile, (3) véhicule de loisirs, et (4) juridictions dans lesquelles le code local interdit la liaison à la terre par l'intermédiaire du conducteur neutre.

En cas d'utilisation d'un cordon d'alimentation :

Utiliser un ensemble de cordon d'alimentation électrique homologué UL marqué pour utilisation avec les sècheuses à vêtements. L'ensemble doit contenir :

- Un cordon d'alimentation de 30 A homologué UL, d'une tension nominale de 120/240 V minimum et d'une température nominale de 140 °F (60 °C) minimum. Le câble doit être de type SRD ou SRDT et mesurer au moins 4 pi (1,22 m) de long. Les fils raccordés à la sècheuse doivent se terminer par des cosse rondes ou à fourche à pointes relevées.
- Un serre-câbles (homologation UL).

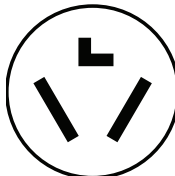
Si la prise murale ressemble à ceci :



Prise murale à 4 conducteurs (14-30R)

Choisir un câble d'alimentation à 4 fils avec cosse rondes ou à fourche et un serre-câbles homologué UL. Le câble d'alimentation électrique à 4 fils, d'au moins 4 pi (1,22 m) de long, doit comporter 4 fils en cuivre plein de calibre 10 et pouvoir se brancher sur une prise à 4 fils de type NEMA 14-30 R. Le fil de liaison à la terre (le conducteur de liaison à la terre) peut être vert ou nu. Le conducteur neutre doit être identifié par une gaine blanche.

Si la prise murale ressemble à ceci :



Prise murale à 3 conducteurs (10-30R)

Choisir un câble d'alimentation à 3 fils avec cosse rondes ou à fourche et un serre-câbles homologué UL. Le câble d'alimentation électrique à 3 fils, d'au moins 4 pi (1,22 m) de long, doit comporter 3 fils en cuivre plein de calibre 10 et pouvoir se brancher sur une prise à 3 fils de type NEMA 10-30 R.

Pour le raccordement direct :

Le câble d'alimentation doit correspondre à l'alimentation électrique (4 fils ou 3 fils) et être :

- Un câble en cuivre à gaine non métallique ou blindé souple (avec fil de mise à la terre), avec conduit métallique souple. Tous les fils sous tension doivent être isolés.
- Fil en cuivre plein de calibre 10 (ne pas utiliser d'aluminium) d'au moins 5 pi (1,52 m) de long.

INSTRUCTIONS DE LIAISON À LA TERRE

- Pour une sècheuse reliée à la terre et connectée par un cordon :
Cette sècheuse doit être reliée à la terre. En cas de mauvais fonctionnement ou de panne, la liaison à la terre réduira le risque de choc électrique en offrant au courant électrique un acheminement d'évacuation de moindre résistance. Cette sècheuse est alimentée par un cordon électrique comportant un conducteur relié à la terre et une fiche de branchement munie d'une broche de liaison à la terre. La fiche doit être branchée sur une prise appropriée qui est bien installée et reliée à la terre conformément à tous les codes et règlements locaux.
- Pour une sècheuse raccordée en permanence :
Cette sècheuse doit être raccordée à un système de câblage permanent en métal relié à la terre ou un conducteur relié à la terre doit être en fonction avec les conducteurs de circuit et raccordé à la borne de liaison à la terre ou la borne sur la sècheuse.

AVERTISSEMENT : Le raccordement incorrect de cet appareil au conducteur de liaison à la terre peut susciter un risque de choc électrique. En cas de doute quant à la qualité de liaison à la terre de la sècheuse, consulter un électricien ou un technicien ou un personnel qualifié. Ne pas modifier la fiche de branchement fournie avec la sècheuse ; si la fiche ne correspond pas à la configuration de la prise de courant, demander à un électricien qualifié d'installer une prise de courant appropriée.

CONSERVEZ CES INSTRUCTIONS

RACCORDEMENT DE LA SÈCHEUSE ÉLECTRIQUE – CANADA SEULEMENT

SPÉCIFICATIONS ÉLECTRIQUES

AVERTISSEMENT



Risque de choc électrique

Brancher sur une prise à 4 alvéoles reliée à la terre.

Le non-respect de cette instruction peut causer un décès ou un choc électrique.

C'est à l'utilisateur qu'incombe la responsabilité de :

- Contacter un électricien qualifié.
- S'assurer que le raccordement électrique est adéquat et conforme à la dernière édition du Canadian Electrical Code, C22.1, et à tous les codes et règlements locaux en vigueur. Pour obtenir un exemplaire des normes des codes ci-dessus, contacter : Canadian Standards Association, 178 Rexdale Blvd., Toronto, ON M9W 1R3 CANADA.
- L'appareil doit être alimenté uniquement par un circuit monophasé de 120/240 V CA uniquement de 60 Hz à 4 fils, sur un circuit séparé de 30 A, protégé par fusible aux deux extrémités de la ligne. On recommande d'utiliser un fusible ou un disjoncteur temporisé. On recommande également que cet appareil soit alimenté par un circuit indépendant.
- Cette sècheuse est munie d'un cordon d'alimentation certifié UL ou CSA International Certified conçu pour être branché dans un réceptacle mural 14-30R standard. Le cordon mesure 5 pi (1,52 m). Veiller à ce que la prise murale se trouve à proximité de l'emplacement définitif de la sècheuse.



Prise murale à 4 conducteurs (14-30R)

Pour plus d'informations, consulter les numéros de dépannage dans la section « Assistance ou service » du « Guide de référence rapide ».

INSTRUCTIONS DE LIAISON À LA TERRE

- Pour une sècheuse reliée à la terre et connectée par un cordon :

Cette sècheuse doit être reliée à la terre. En cas de mauvais fonctionnement ou de panne, la liaison à la terre réduira le risque de choc électrique en offrant au courant électrique un acheminement d'évacuation de moindre résistance. Cette sècheuse est alimentée par un cordon électrique comportant un conducteur relié à la terre et une fiche de branchement munie d'une broche de liaison à la terre. La fiche doit être branchée sur une prise appropriée qui est bien installée et reliée à la terre conformément à tous les codes et règlements locaux.

- Pour une sècheuse raccordée en permanence :

Cette sècheuse doit être raccordée à un système de câblage permanent en métal relié à la terre ou un conducteur relié à la terre doit être en fonction avec les conducteurs de circuit et raccordé à la borne de liaison à la terre ou la borne sur la sècheuse.

AVERTISSEMENT : Le raccordement incorrect de cet appareil au conducteur de liaison à la terre peut susciter un risque de choc électrique. En cas de doute quant à la qualité de liaison à la terre de la sècheuse, consulter un électricien ou un technicien ou un personnel qualifié. Ne pas modifier la fiche de branchement fournie avec la sècheuse; si la fiche ne correspond pas à la configuration de la prise de courant, demander à un électricien qualifié d'installer une prise de courant appropriée.

CONSERVEZ CES INSTRUCTIONS

RACCORDEMENT ÉLECTRIQUE DE LA SÈCHEUSE À GAZ – É.-U. ET CANADA

SPÉCIFICATIONS ÉLECTRIQUES

⚠ AVERTISSEMENT



Risque de choc électrique

Brancher sur une prise à 3 alvéoles reliée à la terre.

Ne pas enlever la broche de liaison à la terre.

Ne pas utiliser un adaptateur.

Ne pas utiliser un câble de rallonge.

Le non-respect de ces instructions peut causer un décès, un incendie ou un choc électrique.

- Une source d'alimentation de 120 V CA à 60 Hz uniquement et protégée par fusible de 15 ou 20 A est nécessaire. On recommande d'utiliser un fusible ou un disjoncteur temporisé. Il est également recommandé de raccorder l'appareil sur un circuit distinct exclusif à cet appareil.

INSTRUCTIONS DE LIAISON À LA TERRE

- Pour une sècheuse reliée à la terre et connectée par un cordon :

Cette sècheuse doit être reliée à la terre. En cas de mauvais fonctionnement ou de panne, la liaison à la terre réduira le risque de choc électrique en offrant au courant électrique un acheminement d'évacuation de moindre résistance. Cette sècheuse est alimentée par un cordon électrique comportant un conducteur relié à la terre et une fiche de branchement munie d'une broche de liaison à la terre. La fiche doit être branchée sur une prise appropriée qui est bien installée et reliée à la terre conformément à tous les codes et règlements locaux.

- Pour une sècheuse raccordée en permanence : Cette sècheuse doit être raccordée à un système de câblage permanent en métal relié à la terre ou un conducteur relié à la terre doit être en fonction avec les conducteurs de circuit et raccordé à la borne de liaison à la terre ou la borne sur la sècheuse.

AVERTISSEMENT : Le raccordement incorrect de cet appareil au conducteur de liaison à la terre peut susciter un risque de choc électrique. En cas de doute quant à la qualité de liaison à la terre de la sècheuse, consulter un électricien ou un technicien ou un personnel qualifié. Ne pas modifier la fiche de branchement fournie avec la sècheuse; si la fiche ne correspond pas à la configuration de la prise de courant, demander à un électricien qualifié d'installer une prise de courant appropriée.

CONSERVEZ CES INSTRUCTIONS

⚠️ AVERTISSEMENT



Risque d'explosion

Utiliser une canalisation neuve d'arrivée de gaz approuvée par CSA International.

Installer un robinet d'arrêt.

Bien serrer chaque organe de connexion de la canalisation de gaz.

En cas de connexion au gaz propane, demander à une personne qualifiée de s'assurer que la pression de gaz ne dépasse pas 330 mm (13 po) de la colonne d'eau.

Par personne qualifiée, on comprend :

le personnel autorisé de chauffage,
le personnel autorisé d'une compagnie de gaz, et
le personnel d'entretien autorisé.

Le non-respect de ces instructions peut causer un décès, un explosion ou un incendie.

TYPE DE GAZ

Gaz naturel :

Cette sècheuse est équipée pour une alimentation au gaz naturel et homologuée par UL pour l'alimentation au gaz propane après conversion appropriée.

- Cette sècheuse doit être équipée du brûleur convenable, correspondant au gaz spécifique qui alimente l'habitation. L'information sur le brûleur se trouve sur la plaque signalétique dans le logement de la porte de la sècheuse. Si ces renseignements ne correspondent pas au type de gaz disponible, contacter votre revendeur ou composer les numéros de téléphone indiqués dans la section « Assistance ou service » de votre « Guide de référence rapide ».

Conversion pour l'alimentation au propane :

IMPORTANT : Un technicien qualifié doit effectuer la conversion.

Ne pas entreprendre de convertir la sècheuse dans le cas d'une utilisation avec un gaz différent de celui indiqué sur la plaque signalétique sans d'abord consulter la compagnie de gaz.

Option 1 (méthode recommandée)

Raccord à gaz en acier inoxydable flexible :

- Si les codes locaux le permettent, utiliser un raccord neuf en acier inoxydable souple (conception homologuée par l'American Gas Association ou par CSA International) pour raccorder la sècheuse à la canalisation rigide d'alimentation en gaz. Selon le besoin, utiliser un coude et un adaptateur de 3/8 po x tuyau NPT de 3/8 po entre le raccord de gaz flexible et la canalisation de gaz de la sècheuse, pour éviter toute déformation.

Option 2 (méthode alternative)

Conduit d'aluminium ou de cuivre approuvé :

- La canalisation doit comprendre un connecteur obturé (filetage NPT de 1/8 po ou plus) accessible pour le raccordement de l'instrument de mesure immédiatement en amont de la connexion d'alimentation en gaz de la sècheuse.
- On recommande un tuyau IPS de 1/2 po.
- Pour les longueurs inférieures à 20 pi (6,1 m), on peut utiliser des tuyaux approuvés en aluminium ou en cuivre de 3/8 po dans la mesure où les codes locaux et le fournisseur de gaz l'autorisent.
- Pour le gaz naturel, ne pas utiliser de conduits en cuivre.
- Pour les longueurs supérieures à 20 pi (6,1 m), on peut utiliser des tuyaux plus gros et un adaptateur de calibre différent.
- Si la sècheuse a été convertie pour une utilisation au propane, on peut utiliser un tuyau en cuivre pour propane compatible de 3/8 po. Si la longueur totale de la canalisation d'alimentation en gaz est supérieure à 20 pi (6,1 m), utiliser un conduit de taille supérieure.

REMARQUE : On doit utiliser un composé d'étanchéité pour tuyauteries résistant à l'action du gaz propane. Ne pas utiliser de ruban TEFLON[†].

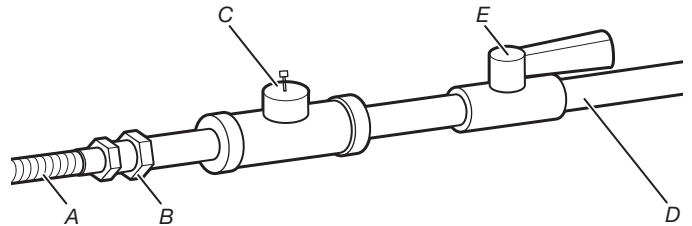
- Robinet d'arrêt nécessaire.

Aux États-Unis :

Un robinet d'arrêt individuel doit être installé à six (6) pieds (1,8 m) de la sècheuse conformément au Code national d'alimentation en gaz, ANSI Z223.1. L'emplacement doit être facilement accessible pour l'ouverture et la fermeture.

Au Canada :

Un robinet d'arrêt individuel doit être installé conformément au Code B149.1 relatif à l'installation du gaz naturel et du propane. Il est recommandé d'installer un robinet d'arrêt individuel manuel à six (6) pieds (1,8 m) maximum de la sècheuse. L'emplacement doit être facilement accessible pour l'ouverture et la fermeture.



- A. Raccord flexible de gaz de 3/8 po
- B. Adaptateur entre le conduit et le joint conique de 3/8 po
- C. Connecteur obturé (filetage NPT de 1/8 po ou plus)
- D. Canalisation d'alimentation en gaz (filetage NPT de 1/2 po)
- E. Robinet d'arrêt du gaz

[†]TEFLON est une marque déposée de Chemours.

SPÉCIFICATIONS DU RACCORDEMENT DE L'ALIMENTATION EN GAZ

- Utiliser un coude et un adaptateur NPT de 3/8 po x 3/8 po entre le connecteur de gaz flexible et la conduite de gaz de la sécheuse, tel que nécessaire pour éviter le pincement.
- Utiliser uniquement un composé d'étanchéité des tuyauteries. Ne pas utiliser de ruban TEFLON®.
- Cette sécheuse doit être raccordée à la canalisation d'alimentation en gaz à l'aide d'un connecteur de gaz flexible homologué qui respecte les normes applicables aux connecteurs utilisés avec des appareils ménagers à gaz, ANSI Z21.24 ou CSA 6.10.

SPÉCIFICATIONS DE L'ALIMENTATION DU BRÛLEUR

Altitudes supérieures à 2 000 pieds (610 m) :

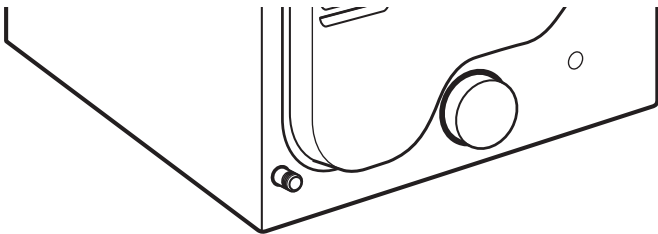
- Si la sécheuse doit être utilisée à une altitude supérieure à 2 000 pi (610 m), on doit réduire le débit thermique du brûleur indiqué sur la plaque signalétique de 4 % pour chaque tranche de 1 000 pi (305 m) d'augmentation de l'altitude.

Épreuve sous pression de l'alimentation en gaz

- La sécheuse doit être déconnectée du système de canalisations d'alimentation en gaz lors de tout test de pression à des pressions plus élevées que 1/2 lb/po².

CANALISATION DE GAZ DE LA SÉCHEUSE

- La canalisation d'arrivée de gaz sortant depuis l'arrière de la sécheuse est dotée d'un filetage mâle de 3/8 po.



Conduit NPT de la sécheuse de 3/8 po

REMARQUE : Pour une installation dans un garage, prévoir 18 po (460 mm) de plus à partir du sol pour la hauteur de la canalisation d'arrivée de gaz.

INSTALLATION DES PIEDS DE NIVELLEMENT

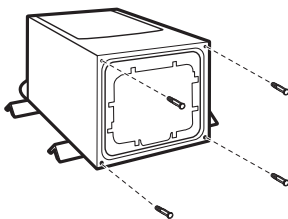
⚠ AVERTISSEMENT

Risque du poids excessif

Utiliser deux ou plus de personnes pour déplacer et installer la sécheuse.

Le non-respect de cette instruction peut causer une blessure au dos ou d'autre blessure.

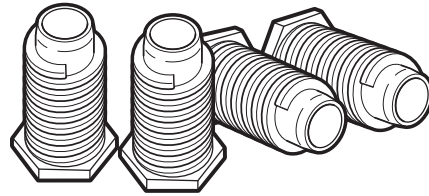
1. Préparation de la sécheuse pour les pieds de nivellement



Saisir fermement le corps de la sécheuse (et non pas le panneau de la console) puis reposer la sécheuse avec précaution sur les cornières en carton arrière.

IMPORTANT : Si l'on fait reposer la sécheuse sur le dos, utiliser les cornières dans lesquelles la sécheuse a été emballée pour éviter d'endommager la sécheuse.

2. Vissage des pieds de nivellement



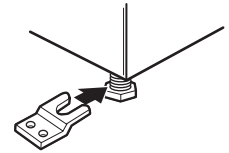
À l'aide d'une clé et d'un mètre-ruban, visser les pieds de nivellement dans les trous pour pieds de nivellement jusqu'à ce que le bas de chaque pied se trouve à environ 1 po (25 mm) du bas de la sécheuse.

À présent, redresser la sécheuse et la placer sur ses pieds. Faire glisser la sécheuse jusqu'à ce qu'elle se trouve à proximité de son emplacement final. Laisser suffisamment d'espace pour connecter le conduit d'évacuation.

Pour utilisation en maison mobile

Les sécheuses à gaz doivent être solidement fixées au plancher.

Les installations en maison mobile nécessitent un ensemble d'ancrage au sol pour installation en maison mobile. Pour le processus de commande, consulter les « Guide de référence rapide ».



EFFECTUER LE RACCORDEMENT ÉLECTRIQUE – É.-U. SEULEMENT

RACCORDEMENT ÉLECTRIQUE

Cordon d'alimentation :

⚠ AVERTISSEMENT



Risque d'incendie

Utiliser un cordon d'alimentation électrique neuf homologué UL de 30 ampères.

Utiliser un réducteur de tension homologué UL.

Déconnecter la source de courant électrique avant de réaliser les connexions électriques.

Connecter le conducteur neutre (blanc ou conducteur central) à la borne centrale (argent).

Le conducteur de liaison à la terre (vert ou nu) doit être relié au connecteur vert de liaison à la terre.

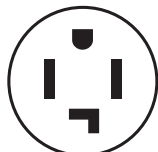
Connecter les 2 conducteurs d'alimentation restants aux 2 bornes (or) restantes.

Bien serrer chaque organe de connexion du branchement électrique.

Le non-respect de cette instruction peut causer un décès, un incendie ou un choc électrique.

Options de raccordement électrique :

1. Choisir le type de raccordement électrique



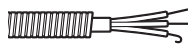
Prise murale 4 fils pour câble d'alimentation (NEMA Type 14-30R) : Passer à Raccordement du cordon d'alimentation.



Prise murale 3 fils pour câble d'alimentation (NEMA Type 10-30R) : Passer à Raccordement du cordon d'alimentation.



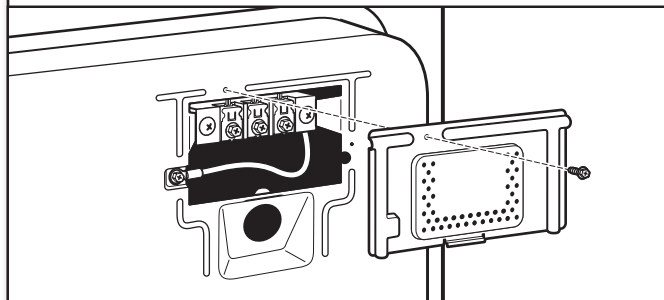
Raccordement direct à 4 fils : Passer à Raccordement direct.



Raccordement direct à 3 fils : Passer à Raccordement direct.

REMARQUE : Si les codes locaux n'autorisent pas le raccordement d'un conducteur de masse de la caisse au fil neutre, voir la section « Raccordement optionnel à 3 fils ». Ce raccordement peut servir pour un cordon d'alimentation ou une connexion directe des conducteurs.

2. Retirer le couvercle du bornier

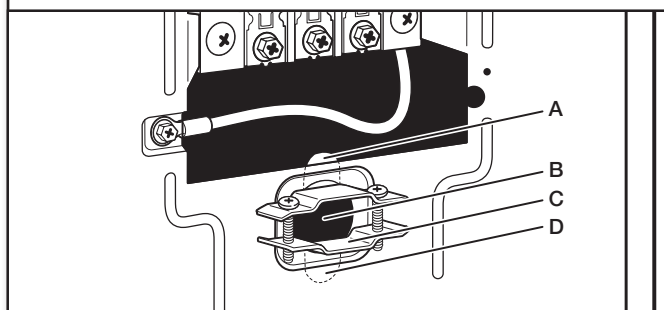


Retirer la vis de retenue et le couvercle du bornier.

RACCORDEMENT DU CÂBLE D'ALIMENTATION

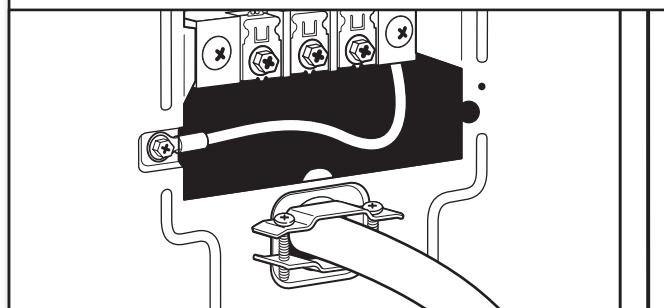
Serre-câble du cordon d'alimentation :

1. Fixer le serre-câble du câble d'alimentation



Retirer les vis d'un serre-câble homologué UL de 3/4 po (19 mm). Placer les languettes des deux moitiés de pince (C) dans le trou sous l'ouverture du bornier (B), de sorte qu'une d'entre elles pointe vers le haut (A) et l'autre vers le bas (D). Maintenir en place. Serrer les vis du serre-câbles juste assez pour maintenir ensemble les deux moitiés de pince (C).

2. Fixer le serre-câble du câble d'alimentation



Passer le cordon d'alimentation à travers le serre-câbles. Vérifier que la gaine d'isolation du cordon d'alimentation rentre à l'intérieur du serre-câbles. Le serre-câbles doit être bien relié à la caisse de la sècheuse et se trouver en position horizontale. Ne pas visser davantage les vis du serre-câble à ce stade.

Si la prise murale ressemble à ceci :



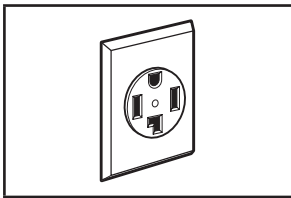
Prise de courant à 4 conducteurs (NEMA type 14-30R) :
Lire la section « Raccordement du câble d'alimentation à 4 fils ».



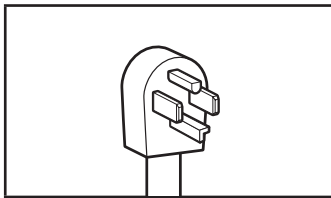
Prise de courant à 3 conducteurs (NEMA type 10-30R) :
Lire la section « Raccordement du câble d'alimentation à 3 fils ».

Raccordement du câble d'alimentation à 4 fils

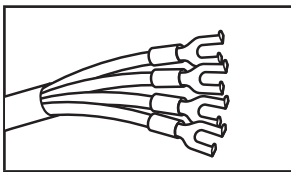
IMPORTANT : Un raccordement à 4 fils est obligatoire pour les maisons mobiles et lorsque les codes locaux n'autorisent pas l'utilisation de raccordements à 3 fils.



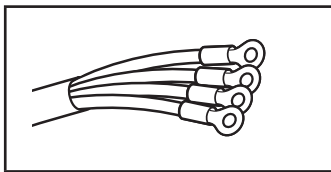
Prise murale à 4 fils (type NEMA 14-30R)



Prise à 4 broches

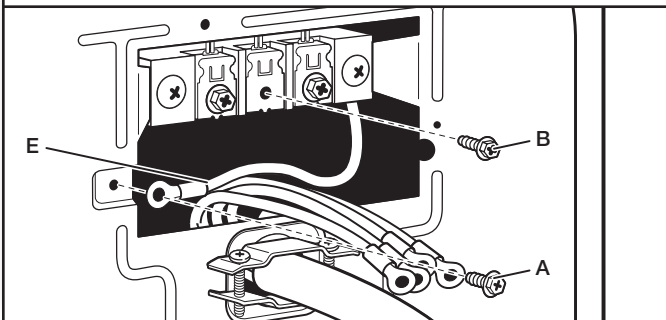


Cosses en fourche à pointes relevées



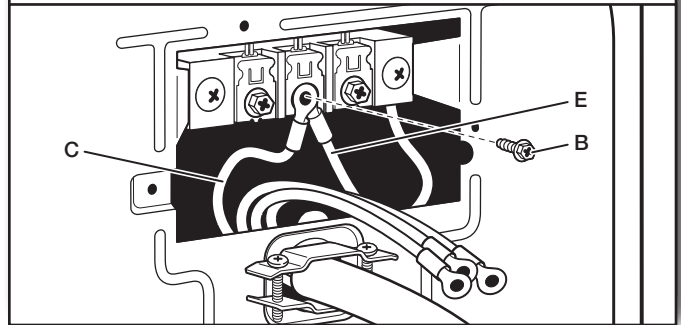
Cosses rondes

1. Préparer la connexion du conducteur de terre neutre au conducteur neutre



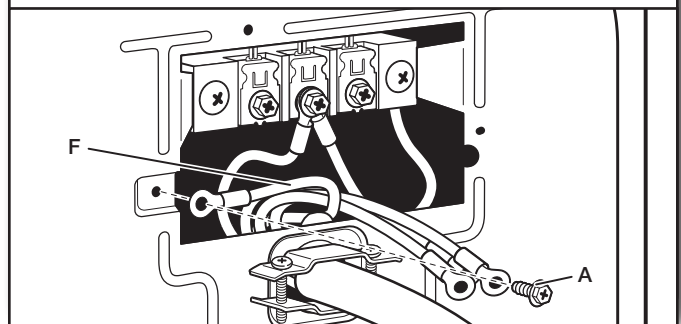
Retirer la vis de la borne centrale (B). Retirer le conducteur de terre neutre (E) de la vis du conducteur de terre externe (A).

2. Connecter le conducteur de terre neutre et le conducteur neutre



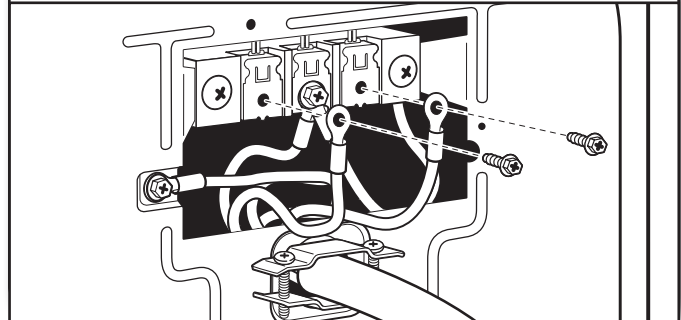
Connecter le conducteur de terre neutre (E) et le conducteur neutre (blanc) (C) du câble d'alimentation sous la vis de la borne centrale (B). Serrer la vis.

3. Connecter le conducteur de liaison à la terre



Connecter le conducteur (vert ou nu) de liaison à la terre (F) du câble d'alimentation à la vis du conducteur de liaison à la terre externe (A). Serrer la vis.

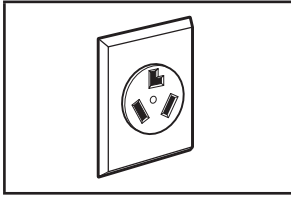
4. Connecter les conducteurs restants



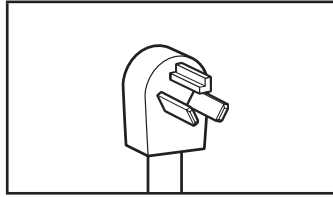
Connecter les conducteurs restants aux vis les plus à l'extérieur du bornier. Serrer les vis. Pour terminer, replacer la languette du couvercle du bornier dans la fente du panneau arrière de la sécheuse. Fixer le couvercle avec la vis de retenue. Ensuite, aller à la section « Exigences concernant l'évacuation ».

Raccordement du câble d'alimentation à 3 fils :

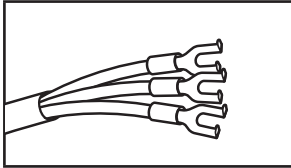
À utiliser lorsque les codes locaux autorisent la connexion du conducteur de masse de la caisse au conducteur neutre.



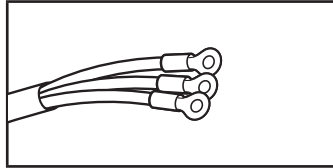
Prise murale à 3 fils
(type NEMA 10-30R)



Prise à 3 broches

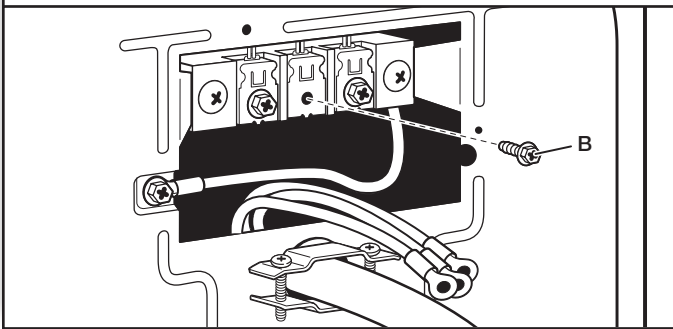


Cosses en fourche à
pointes relevées



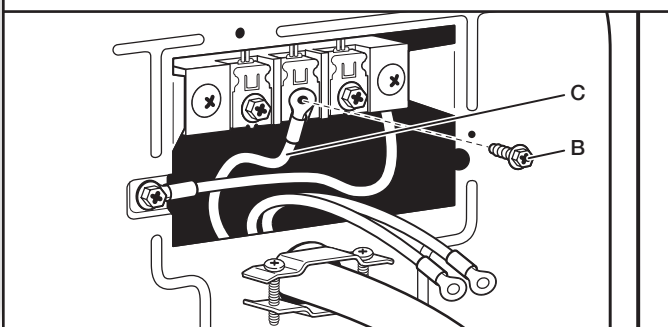
Cosses rondes

1. Retirer la vis centrale



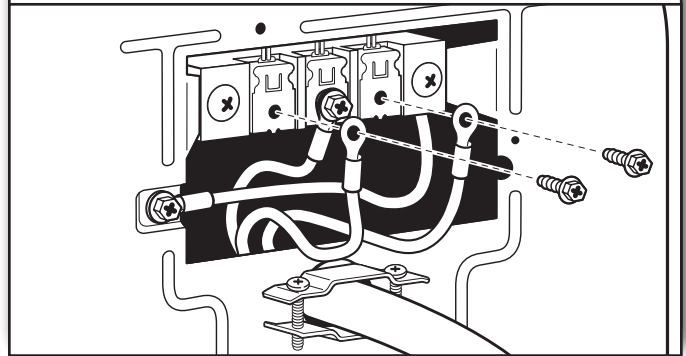
Retirer la vis de la borne centrale (B).

2. Connecter le conducteur neutre



Connecter le conducteur neutre (blanc ou central) (C) du câble d'alimentation à la vis de la borne centrale (B). Serrer la vis.

3. Connecter les conducteurs restants



Connecter les conducteurs restants aux vis les plus à l'extérieur du bornier. Serrer les vis. Pour terminer, replacer la languette du couvercle du bornier dans la fente du panneau arrière de la sécheuse. Fixer le couvercle avec la vie de retenue. Ensuite, aller à la section « Exigences concernant l'évacuation ».

RACCORDEMENT DIRECT

⚠ AVERTISSEMENT



Risque d'incendie

Utiliser du fil en cuivre solide de calibre 10.

Utiliser un réducteur de tension homologué UL.

Déconnecter la source de courant électrique avant de réaliser les connexions électriques.

Connecter le conducteur neutre (blanc ou conducteur central) à la borne centrale (argent).

Le conducteur de liaison à la terre (vert ou nu) doit être relié au connecteur vert de liaison à la terre.

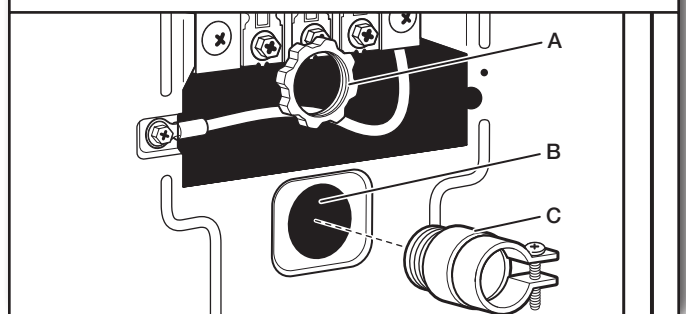
Connecter les 2 conducteurs d'alimentation restants aux 2 bornes (or) restantes.

Bien serrer chaque organe de connexion du branchement électrique.

Le non-respect de cette instruction peut causer un décès, un incendie ou un choc électrique.

Serre-câble pour câblage direct :

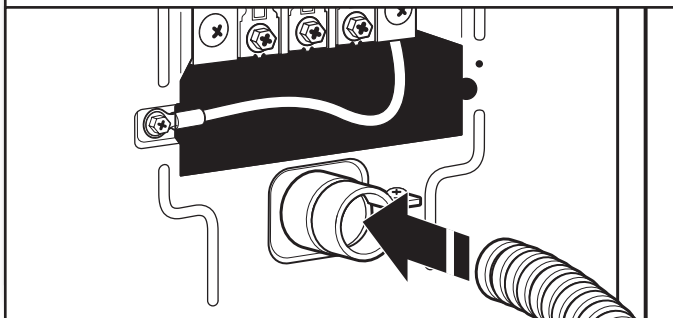
1. Fixer le serre-câble pour raccordement direct



Dévisser le raccord de conduit amovible (A) et les vis d'un serre-câble homologué UL de 3/4 po (19 mm).

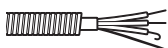
Visser la partie filetée du serre-câbles (C) dans le trou sous l'ouverture du bornier (B). En passant par l'ouverture du bornier, visser le connecteur de conduit amovible (A) sur le filetage du serre-câbles.

2. Fixer le câble à raccordement direct au serre-câble



Passer le câble à raccordement direct à travers le serre-câbles. Le serre-câbles doit être bien relié à la caisse de la sécheuse et se trouver en position horizontale. Serrer la vis du serre-câble autour du câble à raccordement direct.

Si le câblage ressemble à cela :



Raccordement direct à 4 fils :
Aller à la section « Raccordement direct à 4 fils » de cette page.

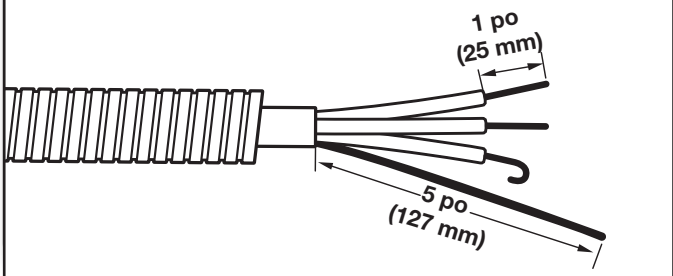


Raccordement direct à 3 fils :
Aller à la section « Raccordement direct à 3 fils » à la page 11.

Raccordement direct à 4 fils:

IMPORTANT : Un raccordement à 4 fils est obligatoire pour les maisons mobiles et lorsque les codes locaux n'autorisent pas les raccordements à 3 fils.

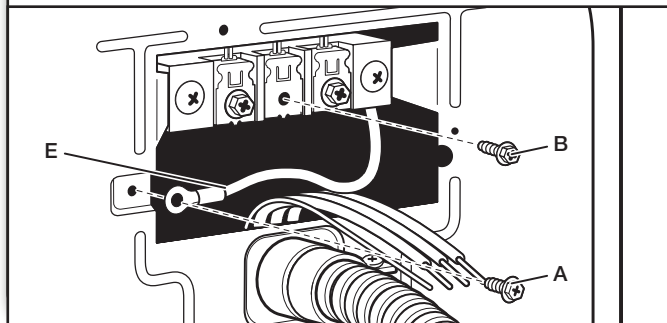
1. Préparer le câble à 4 fils pour un raccordement direct



Le câble à raccordement direct doit avoir une longueur supplémentaire de 5 pi (1,52 m) pour pouvoir déplacer la sécheuse si nécessaire.

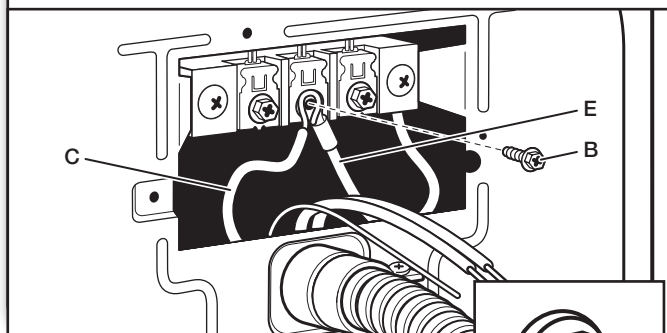
Dénuder une longueur de 5 po (127 mm) de gaine extérieure à l'extrémité du câble, en laissant le conducteur de mise à la terre nu à la longueur de 5 po (127 mm). Couper 1 ½ po (38 mm) des 3 conducteurs restants. Dénuder les conducteurs sur une longueur de 1 po (25 mm). Former des crochets aux extrémités des conducteurs.

2. Préparation pour la connexion du conducteur de terre neutre et du conducteur neutre



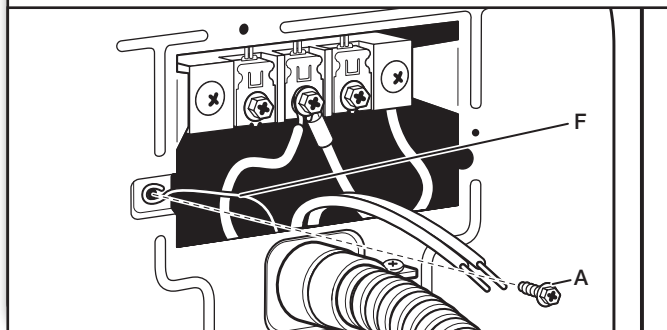
Retirer la vis de la borne centrale (B). Retirer le conducteur de terre neutre (E) de la vis du conducteur de terre externe (A).

3. Connecter le conducteur de terre neutre et le conducteur neutre



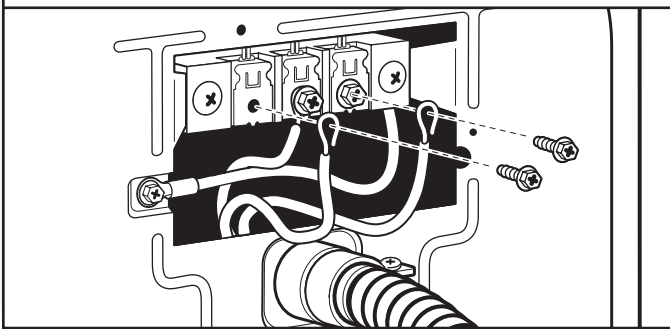
Connecter le conducteur de terre neutre (E) et placer le crochet d'extrémité (crochet vers la droite) du conducteur neutre (blanc ou central) (C) du câble à raccordement direct sous la vis de la borne centrale (B). Rapprocher les extrémités du crochet et serrer la vis.

4. Connecter le conducteur de liaison à la terre



Connecter le conducteur (vert ou nu) de liaison à la terre (F) du câble pour raccordement direct à la vis du conducteur de liaison à la terre externe (A). Serrer la vis.

5. Connecter les conducteurs restants

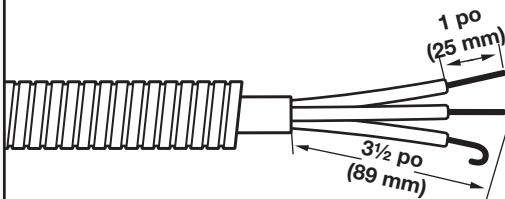


Placer les extrémités en crochet des conducteurs restants du câble pour raccordement direct sous les vis les plus à l'extérieur du bornier (crochets vers la droite). Rapprocher les extrémités du crochet et serrer les vis. Pour terminer, replacer la languette du couvercle du bornier dans la fente du panneau arrière de la sécheuse. Fixer le couvercle avec la vie de retenue. Ensuite, aller à la section « Exigences concernant l'évacuation ».

Raccordement direct à 3 fils

À utiliser lorsque les codes locaux autorisent la connexion du conducteur de masse de la caisse au conducteur neutre.

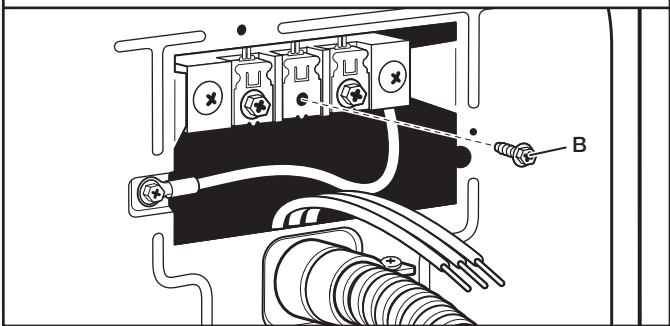
1. Préparer le câble à 3 fils pour un raccordement direct



Le câble à raccordement direct doit avoir une longueur supplémentaire de 5 pi (1,52 m) pour pouvoir déplacer la sécheuse si nécessaire.

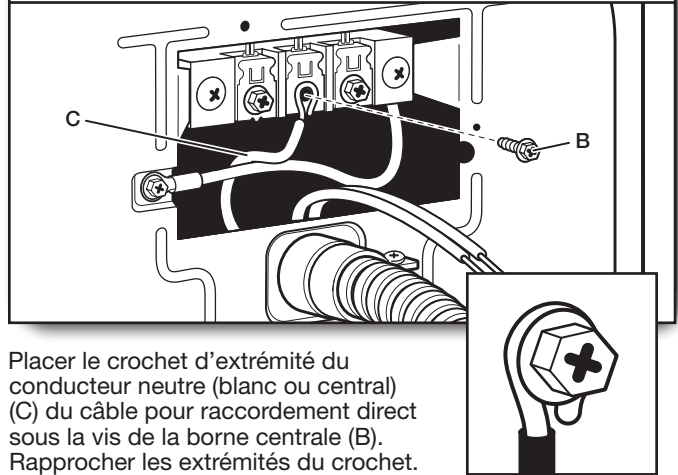
Dénuder une longueur de 3 1/2 po (89 mm) de gaine extérieure à l'extrémité du câble. Dénuder les conducteurs sur une longueur de 1 po (25 mm). En cas d'utilisation d'un câble à 3 fils avec conducteur de mise à la terre, couper le fil nu au même niveau que la gaine extérieure. Former des crochets au bout des conducteurs.

2. Retirer la vis centrale



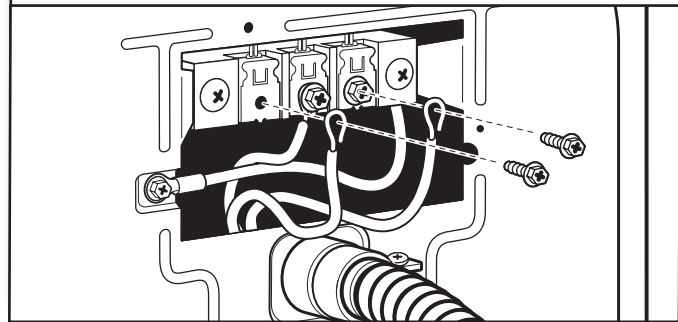
Retirer la vis de la borne centrale (B).

3. Connecter le conducteur neutre



Placer le crochet d'extrémité du conducteur neutre (blanc ou central) (C) du câble pour raccordement direct sous la vis de la borne centrale (B). Rapprocher les extrémités du crochet. Serrer la vis.

4. Connecter les conducteurs restants

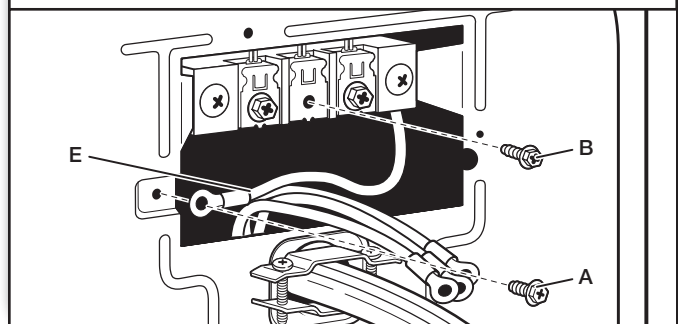


Placer les extrémités en crochet des conducteurs restants du câble pour raccordement direct sous les vis les plus à l'extérieur du bornier (crochets vers la droite). Rapprocher les extrémités du crochet et serrer les vis. Pour terminer, replacer la languette du couvercle du bornier dans la fente du panneau arrière de la sécheuse. Fixer le couvercle avec la vie de retenue. Ensuite, aller à la section « Exigences concernant l'évacuation ».

Raccordement optionnel à 3 fils

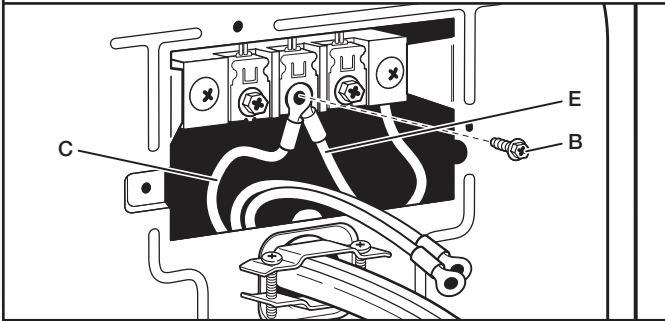
Il convient de vérifier auprès d'un électricien qualifié que cette méthode de mise à la terre est acceptable avant d'effectuer le raccordement.

1. Préparation pour la connexion du conducteur de terre neutre et du conducteur neutre



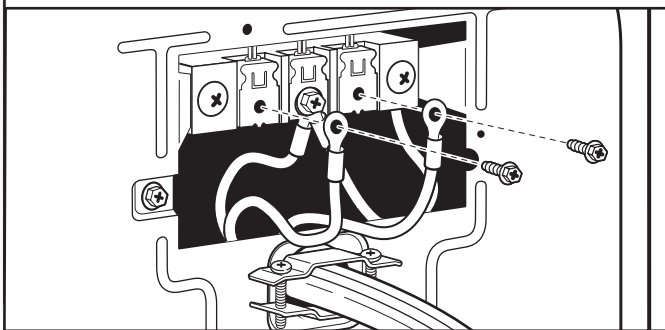
Retirer la vis de la borne centrale (B). Retirer le conducteur de terre neutre (E) de la vis du conducteur de terre externe (A).

2. Connecter le conducteur de terre neutre et le conducteur neutre



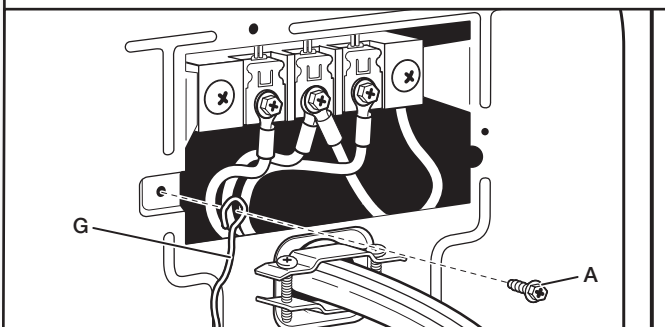
Connecter le conducteur de terre neutre (E) et le conducteur neutre (blanc ou central) (C) du câble d'alimentation ou du câble sous la vis de la borne centrale (B). Serrer la vis.

3. Connecter les conducteurs restants



Connecter les conducteurs restants aux vis les plus à l'extérieur du bornier. Serrer les vis.

4. Connecter le conducteur de liaison à la terre externe



Raccorder un autre conducteur de terre en cuivre (G) depuis la vis du conducteur de terre externe (A) jusqu'à une terre adéquate. Pour terminer, replacer la languette du couvercle du bornier dans la fente du panneau arrière de la sècheuse. Fixer le couvercle avec la vis de retenue. Ensuite, aller à la section « Exigences concernant l'évacuation ».

EFFECTUER LE RACCORDEMENT AU GAZ – É.-U. ET CANADA

⚠ AVERTISSEMENT



Risque d'explosion

Utiliser une canalisation neuve d'arrivée de gaz approuvée par CSA International.

Installer un robinet d'arrêt.

Bien serrer chaque organe de connexion de la canalisation de gaz.

En cas de connexion au gaz propane, demander à une personne qualifiée de s'assurer que la pression de gaz ne dépasse pas 330 mm (13 po) de la colonne d'eau.

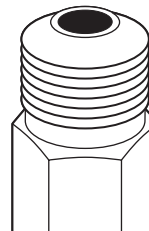
Par personne qualifiée, on comprend :

- le personnel autorisé de chauffage,
- le personnel autorisé d'une compagnie de gaz, et
- le personnel d'entretien autorisé.

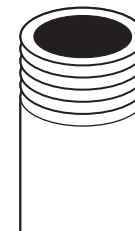
Le non-respect de ces instructions peut causer un décès, une explosion ou un incendie.

1. Connecter l'alimentation en gaz à la sècheuse

Raccord mâle conique



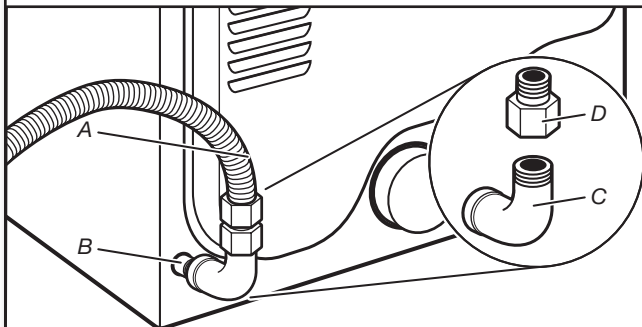
Raccord mâle non conique



Retirer le capuchon rouge de la canalisation de gaz. À l'aide d'une clé pour serrer, raccorder l'alimentation en gaz à la sècheuse. Utiliser un composé d'étanchéité des tuyauteries sur tous les filetages des raccords mâles non coniques. Si on utilise un conduit métallique souple, veiller à ce qu'il ne soit pas pincé.

REMARQUE : Pour les raccords au propane, on doit utiliser un composé d'étanchéité résistant à l'action du propane. Ne pas utiliser de ruban TEFLON^{®1}.

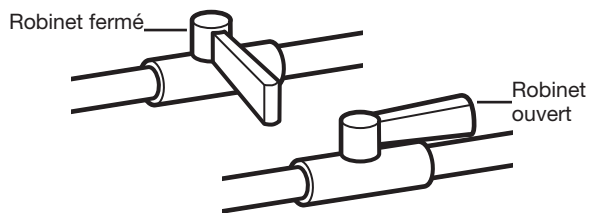
2. Planifier la connexion des raccords de tuyauterie



- A. Raccord flexible de gaz de 3/8 po
 B. Conduit de la sècheuse de 3/8 po
 C. Coude de 3/8 po par 3/8 po
 D. Adaptateur entre le conduit et le joint conique de 3/8 po

On doit utiliser une combinaison de raccords de tuyauterie pour raccorder la sècheuse à l'alimentation en gaz existante. L'illustration présente un raccordement recommandé. Le raccordement peut varier selon le type, la taille et l'emplacement de la canalisation d'alimentation.

3. Robinet d'arrêt du gaz ouvert



Ouvrir le robinet d'arrêt de la canalisation d'alimentation ; le robinet est ouvert lorsque la manette est parallèle à la canalisation de gaz. Vérifier ensuite tous les raccordements en les badigeonnant d'une solution de détection des fuites non corrosive approuvée. La formation de bulles indique la présence d'une fuite. Éliminer toute fuite détectée.

ÉVACUATION

EXIGENCES CONCERNANT L'ÉVACUATION

⚠️ AVERTISSEMENT



Risque d'incendie

Utiliser un conduit d'évacuation en métal lourd.

Ne pas utiliser un conduit d'évacuation en plastique.

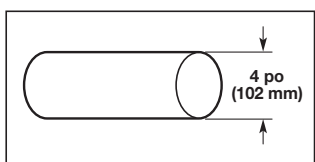
Ne pas utiliser un conduit d'évacuation en feuille de métal.

Le non-respect de ces instructions peut causer un décès ou un incendie.

AVERTISSEMENT : Pour réduire le risque d'incendie, cette sècheuse doit ÉVACUER L'AIR À L'EXTÉRIEUR.

IMPORTANT : Observer les dispositions de tous les codes et règlements en vigueur.

Le conduit d'évacuation de la sècheuse ne doit pas être raccordé à une évacuation de gaz, une cheminée, un mur, un plafond, un grenier, un vide sanitaire ou un vide de construction. Seul un conduit d'évacuation métallique rigide ou souple doit être utilisé pour le système d'évacuation.



Conduit d'évacuation en métal lourd de 4 po (102 mm)

- Utiliser uniquement un conduit d'évacuation en métal lourd de 4 po (102 mm) et des brides de serrage.

- Ne pas utiliser de conduit de plastique ou de métal très mince.

Conduit métallique rigide :

- Recommandé pour une performance de séchage idéale afin d'éviter tout écrasement ou toute déformation.

Conduit métallique flexible : (acceptable uniquement si l'accès reste facile pour le nettoyage)

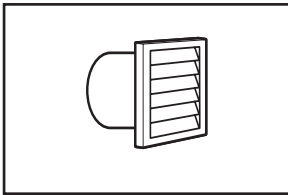
- Doit être entièrement déployé et soutenu à l'emplacement d'installation final de la sècheuse.
- Enlever tout excès de conduit flexible pour éviter tout affaissement et toute déformation susceptible de réduire la capacité d'évacuation et le rendement.
- Ne pas installer le conduit métallique flexible dans des cavités fermées de murs, plafonds ou planchers.
- La longueur totale ne doit pas dépasser 7 3/4 pi (2,4 m).
- La longueur du conduit métallique d'évacuation souple utilisé doit être prise en compte lors de la conception de l'ensemble du circuit d'évacuation, tel qu'indiqué dans le « Tableau des systèmes d'évacuation ».

REMARQUE : Lors de l'utilisation d'un système d'évacuation existant, nettoyer et éliminer la charpie sur toute la longueur du système, et veiller à ce que l'évent d'évacuation ne soit pas obstrué par de la charpie. Remplacer tout conduit de plastique ou en aluminium par un conduit métallique rigide ou souple. Consulter à nouveau le tableau des systèmes d'évacuations et modifier le système d'évacuation existant au besoin pour obtenir un meilleur séchage.

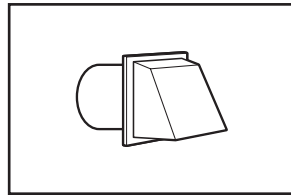
Événements pour conduit d'évacuation :

- Doit se trouver à au moins 12 po (305 mm) du plancher ou de tout objet susceptible d'obstruer l'ouverture d'évacuation (comme des fleurs, des pierres, des buissons ou de la neige).

Styles recommandés :

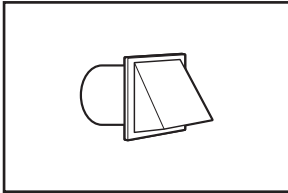


Clapet à persiennes



Clapet de type boîte

Style acceptable :

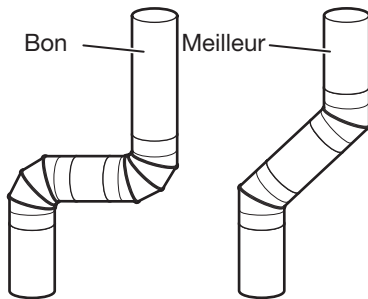


Type incliné

Coudes :

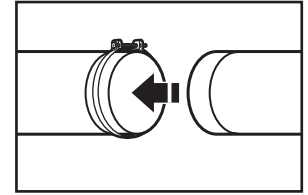
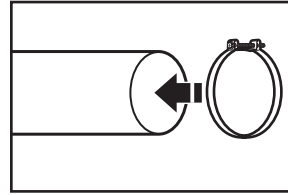
- Les coudes à 45° permettent une meilleure circulation de l'air que les coudes à 90°.

Styles recommandés :



Brides de serrage :

- Utiliser des brides pour sceller tous les joints.
- Le conduit d'évacuation ne doit pas être raccordé ou fixé avec des vis ou tout autre dispositif de serrage qui se prolongerait à l'intérieur du conduit et retiendrait la charpie. Ne pas utiliser de ruban adhésif pour conduit.

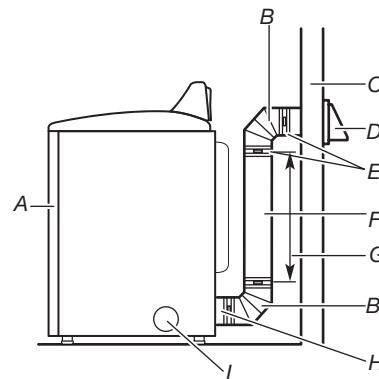


Le matériel d'évacuation peut être acheté auprès de votre revendeur. Pour plus d'informations, voir la section « Assistance ou service » dans le « Guide de référence rapide ».

PLANIFICATION DES CIRCUITS DE CONDUITS

Installations d'évacuation recommandées :

Les installations typiques consistent à acheminer le conduit d'évacuation à l'arrière de la sècheuse. D'autres installations sont possibles.



- | | |
|------------------------|--|
| A. Sécheuse | F. Conduit d'évacuation métallique rigide ou souple |
| B. Raccord coudé | G. Longueur de conduit d'évacuation nécessaire pour le raccordement des coudes |
| C. Mur | H. Bouche de décharge |
| D. Clapet d'évacuation | I. Sortie d'évacuation latérale facultative |
| E. Brides | |

Installations d'évacuation facultatives :

⚠ AVERTISSEMENT



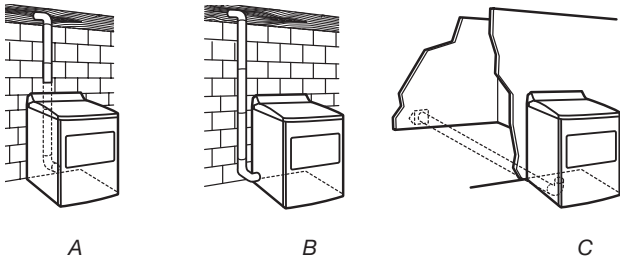
Risque d'incendie

Recouvrir tous les orifices d'évacuation non utilisés avec une trousse du fabricant.

Contactez votre marchand local.

Le non-respect de ces instructions peut causer un décès, un incendie, un choc électrique ou une blessure grave.

Si vous préférez, la sècheuse peut être convertie pour évacuer par le bas et les côtés. Contactez votre revendeur local pour convertir la sècheuse.



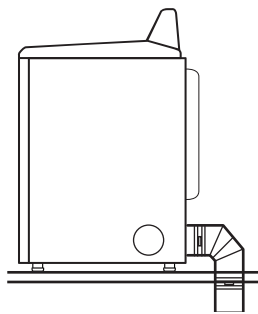
A. Installation avec acheminement standard du conduit d'évacuation par l'arrière

B. Installation avec évacuation par la gauche ou par la droite

C. Installation avec évacuation par le bas

Dispositions spéciales pour les installations en résidence mobile :

Le système d'évacuation doit être solidement fixé à une section non combustible de la structure de la résidence mobile et ne doit pas se terminer en dessous de la résidence mobile. Acheminer le conduit d'évacuation vers l'extérieur.



Installation du système d'évacuation en résidence mobile

Déterminer l'itinéraire d'acheminement du conduit :

- Choisir l'itinéraire d'acheminement vers l'extérieur qui sera le plus direct et le plus rectiligne.
- Planifier l'installation de façon à introduire un nombre minimal de coudes et de changements de direction.
- Si des coudes ou changements de direction sont utilisés, prévoir autant d'espace que possible.
- Plier le conduit graduellement pour éviter de le déformer.
- Utiliser le moins possible de changements de direction à 90°.

Déterminer la longueur du conduit et les coudes nécessaires pour la meilleure performance de séchage :

- Utiliser le tableau des systèmes d'évacuation suivant pour déterminer le type de matériel d'évacuation et les combinaisons de hotte acceptables.

REMARQUE : Ne pas utiliser de conduits de longueur supérieure à la valeur spécifiée dans le tableau des systèmes d'évacuation. Si la longueur du circuit est supérieure à la valeur spécifiée dans le tableau, on observera :

- Un cycle de vie réduit de la sècheuse.
- Une réduction du rendement, avec temps de séchage plus longs et une plus grande consommation d'énergie.

Le tableau des systèmes d'évacuation indique les critères d'évacuation qui vous aideront à obtenir une performance de séchage idéale.

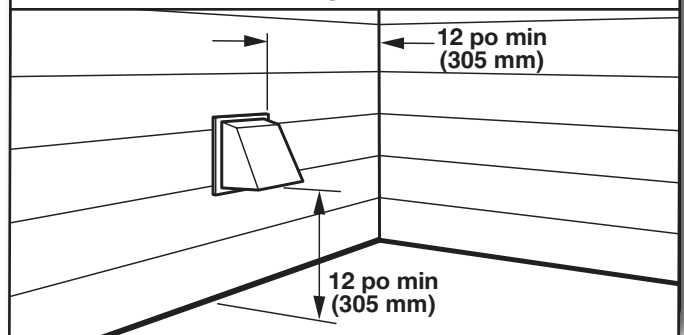
Tableau des systèmes d'évacuation

Nombre de changements de direction à 90° ou coudes	Type de conduit d'évacuation	Hottes d'évacuation inclinées
0	Métallique rigide	64 pi (20 m)
1	Métallique rigide	54 pi (16,5 m)
2	Métallique rigide	44 pi (13,4 m)
3	Métallique rigide	35 pi (10,7 m)
4	Métallique rigide	27 pi (8,2 m)

REMARQUE : Les installations d'évacuation par le bas comportent un changement de direction à 90° à l'intérieur de la sècheuse. Pour établir la longueur maximale du conduit d'évacuation, ajouter un changement de direction à 90° au tableau.

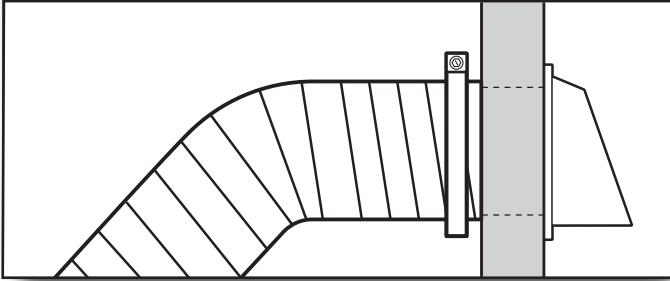
INSTALLATION DU SYSTÈME D'ÉVACUATION

1. Installer le clapet d'évacuation



Installer le clapet d'évacuation et utiliser un composé de calfeutrage pour calfeutrer le côté extérieur de l'ouverture murale autour du clapet d'évacuation.

2. Raccorder le conduit d'évacuation au clapet



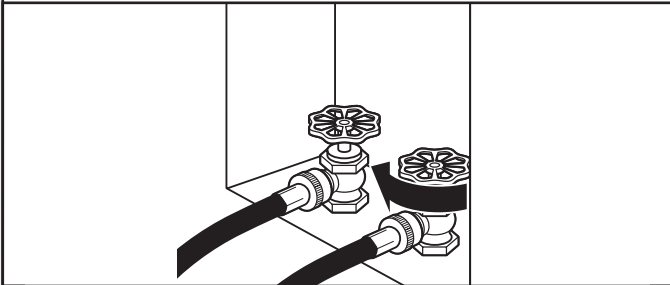
Le conduit doit être placé par-dessus le clapet d'évacuation. Fixer ensemble le conduit et le clapet avec une bride de 4 po (102 mm). Acheminer le conduit jusqu'à l'emplacement de la sècheuse en utilisant le chemin le plus rectiligne possible. Éviter les changements de direction à 90°. Utiliser des brides pour sceller tous les joints. Ne pas utiliser de ruban adhésif pour conduit, de vis ou autres dispositifs de fixation qui se prolongeraient à l'intérieur du conduit pour fixer le conduit d'évacuation ; ceux-ci pourraient retenir la charpie.

RACCORDEMENT DES TUYAUX DE VIDANGE

Pour les modèles sans vapeur, passer directement à la section « Raccordement du conduit d'évacuation ».

La sècheuse doit être connectée au robinet d'eau froide à l'aide des nouveaux tuyaux d'alimentation. Ne pas utiliser de tuyaux usagés.

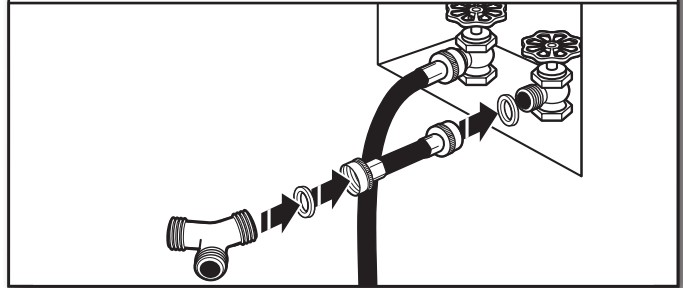
1. Fermer l'eau froide, retirer et remplacer la rondelle en caoutchouc



Fermer le robinet d'eau froide et ôter le tuyau d'alimentation de la laveuse.

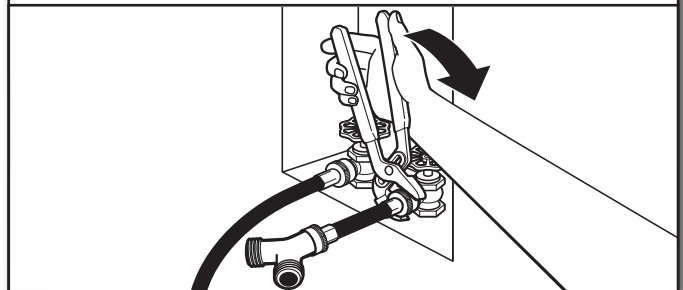
Retirer l'ancienne rondelle en caoutchouc du tuyau d'arrivée d'eau et la remplacer par la nouvelle rondelle en caoutchouc.

2. Fixer le tuyau court et le raccord en « Y »



Fixer le tuyau d'alimentation de 2 pi (0,6 m) au robinet d'eau froide. Visser le raccord à la main jusqu'à ce qu'il repose sur le robinet. Fixer le raccord en « Y » à l'extrémité mâle du tuyau d'alimentation de 2 pi (0,6 m). Visser le raccord à la main jusqu'à ce qu'il repose sur le raccord.

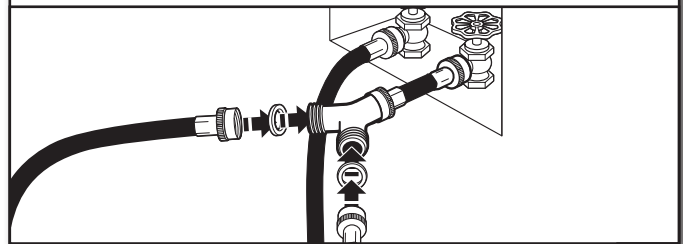
3. Serrer les raccords



Terminer le serrage des raccords de deux tiers de tour supplémentaire avec une pince.

REMARQUE : Ne pas serrer excessivement. Le raccord risque d'être endommagé.

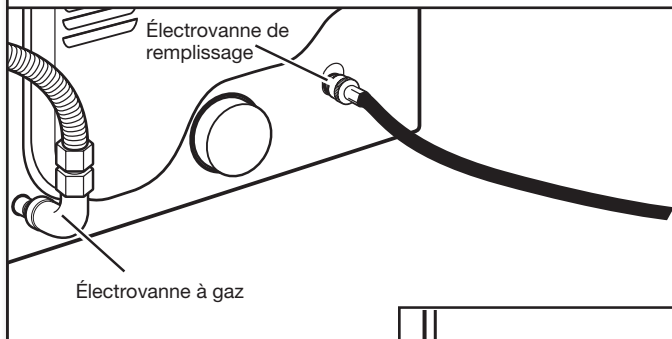
4. Fixer le long tuyau au raccord en « Y » et serrer les raccords



Fixer les extrémités du tuyau d'alimentation de 5 pi (1,5 m) au connecteur en « Y ». Fixer le tuyau d'alimentation en eau froide de la laveuse à l'autre extrémité du raccord en « Y ». Visser le raccord à la main jusqu'à ce qu'il repose sur le raccord. Terminer le serrage des raccords de deux tiers de tour supplémentaire avec une pince.

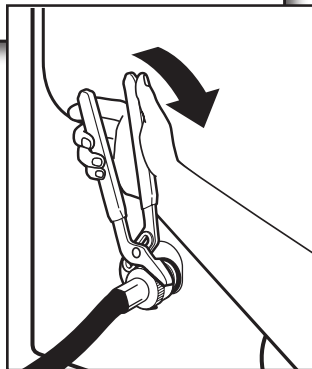
REMARQUE : Ne pas serrer excessivement. Le raccord risque d'être endommagé.

5. Fixer le long tuyau à l'électrovanne de remplissage de la sécheuse et serrer les raccords

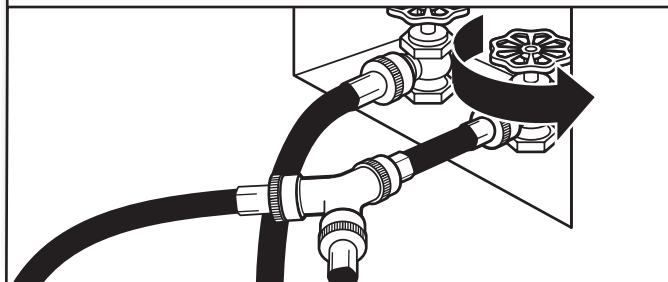


Fixer l'autre extrémité du long tuyau à l'électrovanne située au bas du panneau arrière de la sécheuse. Visser le raccord à la main jusqu'à ce qu'il repose sur le connecteur de l'électrovanne. Terminer le serrage des raccords de supplémentaire avec une pince.

REMARQUE : Ne pas serrer excessivement. Le raccord risque d'être endommagé.

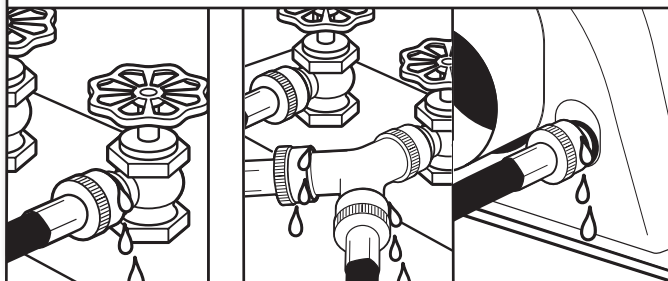


6. Ouvrir le robinet d'eau froide.



Vérifier que le robinet d'eau est ouvert.

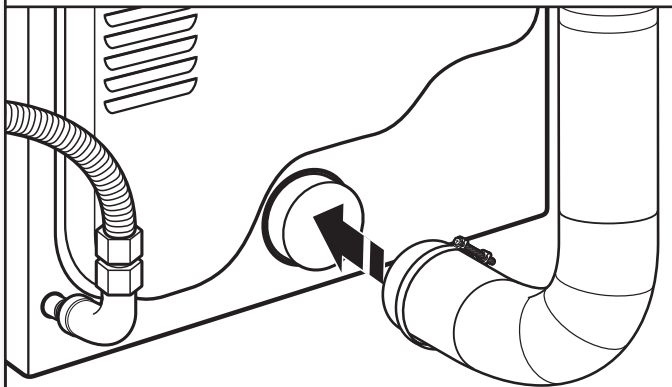
7. Recherche de fuites



Vérifier qu'il n'y a pas de fuites autour du raccord en « Y », du robinet et des tuyaux.

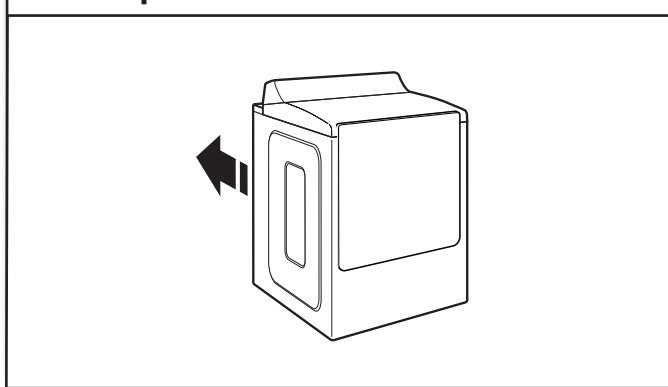
RACCORDEMENT DU SYSTÈME D'ÉVACUATION

1. Raccorder le conduit d'évacuation au clapet d'évacuation



À l'aide d'une bride de fixation de 4 po (102 mm), relier le conduit d'évacuation à la bouche d'évacuation de la sécheuse. Si l'on réalise le raccordement au conduit d'évacuation existant, s'assurer que celui-ci est propre. Le conduit d'évacuation doit être fixé par-dessus la bouche d'évacuation de la sécheuse et à l'intérieur du clapet d'évacuation. S'assurer que le conduit d'évacuation est fixé au clapet d'évacuation à l'aide d'une bride de fixation de 4 po (102 mm).

2. Placer la sécheuse à son emplacement final

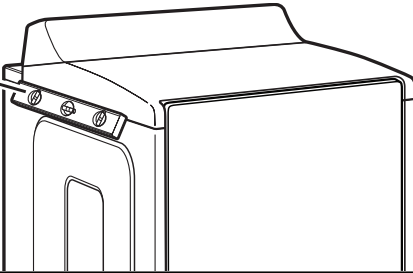


Placer la sécheuse à son emplacement final. Éviter d'écraser ou de déformer le conduit d'évacuation.

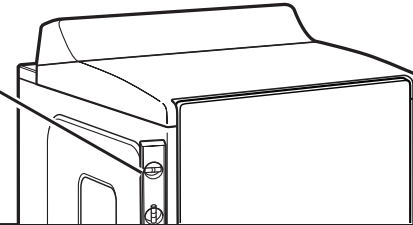
RÉGLAGE DE L'APLOMB DE LA SÈCHEUSE

1. Réglage de l'aplomb de la sècheuse

Placer le niveau à cet endroit

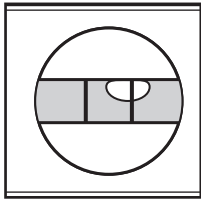


Placer le niveau à cet endroit

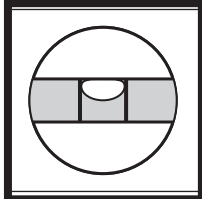


Vérifier l'aplomb de la sècheuse dans le sens transversal. Répéter l'opération dans le sens avant-arrière.

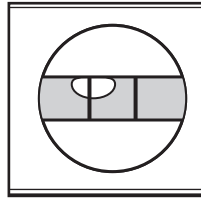
REMARQUE : La sècheuse doit être d'aplomb pour que le système de détection d'humidité fonctionne correctement.



Pas d'aplomb

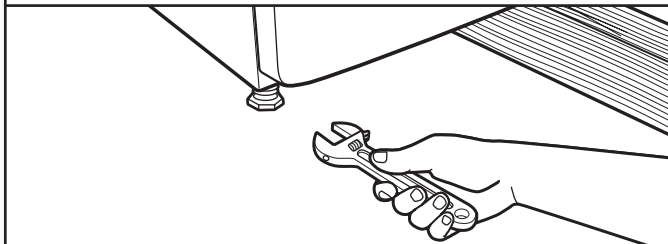


D'APLOMB



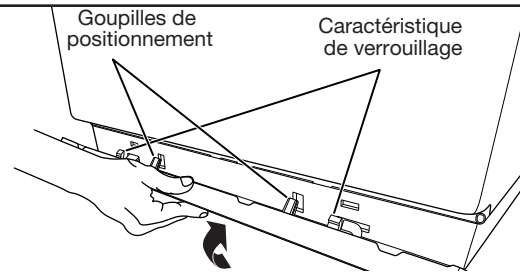
pas d'aplomb

2. Ajustement des pieds de nivellement



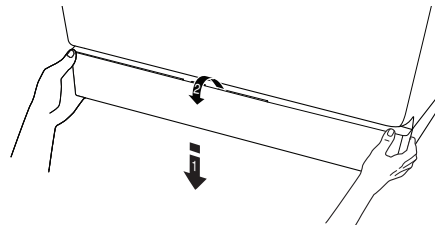
Si la sècheuse n'est pas d'aplomb, la relever à l'aide d'un bloc de bois. Utiliser une clé pour ajuster les pieds vers le haut ou vers le bas, et vérifier à nouveau si elle est d'aplomb.

3. Tringle de la base (sur certains modèles)



Placer la tringle de la base au bas de la sècheuse et faire correspondre les goupilles de positionnement avec les trous. Appuyer sur la tringle de la base fermement vers le haut jusqu'à ce qu'elle s'enclenche.

Retrait :



À chaque coin. 1) Appuyer sur le haut de la tringle de la base. 2) La faire pivoter de la sècheuse, puis la retirer.

LISTE DE VÉRIFICATION POUR INSTALLATION TERMINÉE

- Vérifier que toutes les pièces sont maintenant installées. S'il reste une pièce, passer en revue les différentes étapes pour découvrir laquelle aurait été oubliée.
- Vérifier la présence de tous les outils.
- Éliminer/recycler tous les matériaux d'emballage.
- Vérifier l'emplacement définitif de la sècheuse. S'assurer que le conduit d'évacuation n'est pas écrasé ou déformé.
- Vérifier que la sècheuse est d'aplomb. Voir la section « Réglage de l'aplomb de la sècheuse ».
- Ôter la pellicule protectrice de la console et tout ruban adhésif resté sur la sècheuse.
- Essuyer soigneusement l'intérieur du tambour de la sècheuse avec un chiffon humide pour éliminer toute trace de poussière.
- Lire la section « Utilisation de la sècheuse » dans le « Guide de référence rapide ».

Modèles électriques :

- Pour une installation avec cordon d'alimentation électrique, brancher dans une prise reliée à la terre. Pour une installation à raccordement direct, mettre l'appareil sous tension.

Modèles à gaz :

- S'assurer que l'alimentation en gaz est ouverte.
- Vérifier qu'il n'y a pas de fuites.

Modèles à vapeur uniquement :

- Vérifier que les robinets d'eau sont ouverts.
- Vérifier qu'il n'y a pas de fuites autour du raccord en « Y », du robinet et des tuyaux.
- Si l'on réside dans une région où l'eau est dure, l'emploi d'un adoucisseur d'eau est recommandé pour contrôler l'accumulation de tartre dans le circuit d'eau de la sècheuse. Avec le temps, l'accumulation de tartre peut obstruer différentes parties du circuit d'eau, ce qui réduira la performance du produit. Une accumulation excessive de tartre peut entraîner la nécessité de remplacer ou de réparer certains composants.

Tous les modèles :

- Sélectionner un programme de séchage minuté avec chaleur et mettre la sècheuse en marche. Ne pas sélectionner le réglage de température Air Only (air seulement).

Si la sècheuse ne démarre pas, vérifier ce qui suit :

- Les commandes sont réglées à la position de marche ou « ON ».
- On a appuyé fermement sur le bouton Start (mise en marche).
- La sècheuse est branchée dans une prise reliée à la terre et/ou l'alimentation électrique est connectée.
- Le fusible domestique est intact et bien visé ou le disjoncteur n'est pas ouvert.
- La porte de la sècheuse est fermée.

Cette sècheuse démarre automatiquement une procédure de diagnostic au début du premier programme.

Si la sècheuse ne s'allume pas, il existe peut-être un problème d'alimentation électrique dans la maison. Si tel est le cas, un code L2 s'affiche pour indiquer ce problème. « Voir Dépannage ».

Si l'écran de circulation d'air affiche « Check Vent » (vérifier le conduit d'évacuation), il est possible que le conduit d'évacuation de la sècheuse soit écrasé ou bloqué. Voir « Dépannage ».

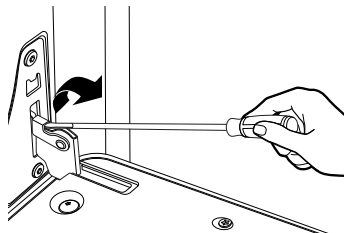
REMARQUE : Il est possible que la sècheuse dégage une certaine odeur lorsqu'elle chauffe pour la première fois. Cette odeur est normale lorsque l'élément chauffant est utilisé pour la première fois. L'odeur disparaîtra.

PORTE DE LA SÈCHEUSE (SUR CERTAINS MODÈLES)

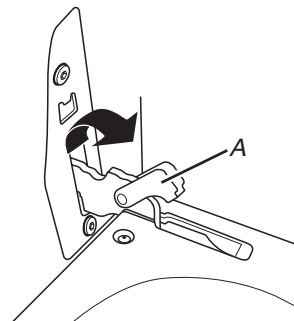
Il n'est pas suggéré d'enlever la porte de la sècheuse dans le cadre d'une utilisation normale. Toutefois, s'il faut l'enlever, s'assurer que la sècheuse est éteinte et refroidie. Ensuite, suivre les instructions ci-dessous. La porte de la sècheuse est lourde.

Retrait :

1. Ouvrir la porte de la sècheuse complètement.
2. Utiliser un tournevis à tête plate pour ouvrir le loquet de la charnière.



3. Pincer le loquet de charnière entre les deux doigts et le tirer vers l'avant. Répéter ces opérations pour l'autre côté de la porte de la sècheuse.



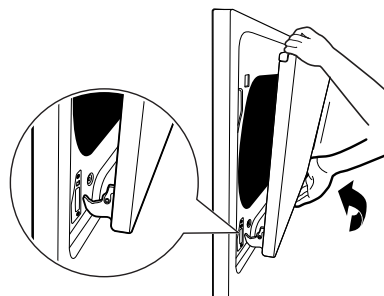
A. Loquet de charnière

4. Fermer la porte de la sècheuse aussi loin que possible.
5. Soulever la porte de la sècheuse en la retenant de chaque côté. Continuer de maintenir la porte de la sècheuse fermée et la dégager du châssis de la porte de la sècheuse.



Replacer :

1. Insérer les deux bras de suspension dans le panneau avant.

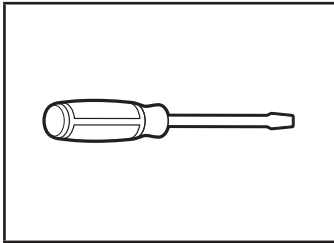


2. Ouvrir la porte de la sècheuse. On devrait entendre un déclic lors de la mise en place de la porte.
3. Remettre les leviers des charnières à la position verrouillée. Vérifier que la porte s'ouvre et se ferme facilement. Si ce n'est pas le cas, répéter la procédure pour enlever et reposer la porte.

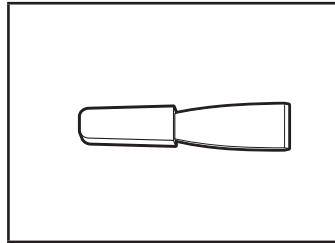
INVERSION DU SENS D'OUVERTURE DE LA PORTE (SUR CERTAINS MODÈLES)

Les instructions suivantes correspondent aux modèles avec porte d'ouverture latérale.

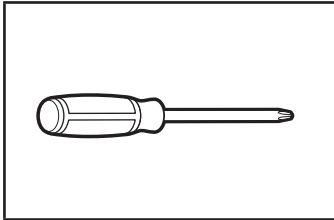
Outils requis :



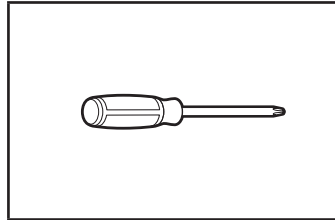
Tournevis à tête plate



Couteau à mastic en plastique



Tournevis TORX T20® de 8 po min.



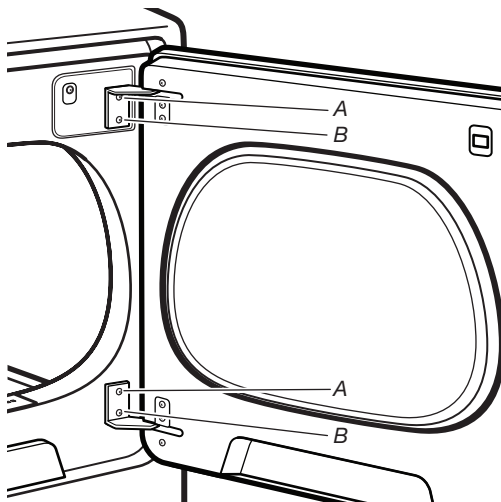
Tournevis à tête cruciforme n° 2

Au besoin, il est possible d'inverser le sens d'ouverture de la porte de la sécheuse.

1. Placer une serviette ou un chiffon doux sur le dessus de la sécheuse ou du plan de travail pour éviter d'endommager la surface.

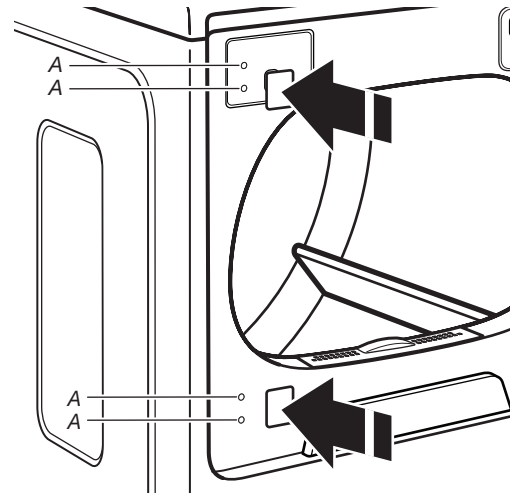
Retirer la porte de la caisse de la sécheuse :

1. Ouvrir la porte de la sécheuse.
2. À l'aide d'un tournevis T20®, retirer d'abord les vis (A), puis les vis (B) de chacune des deux charnières qui fixent la porte de la sécheuse au panneau avant de la sécheuse. Mettre de côté les vis de charnière pour réinstaller la porte.



3. Retirer la porte de la sécheuse en la soulevant à la verticale pour dégager la porte de la caisse. Poser la porte sur une surface plane protégée, côté intérieur (partie interne de la porte) vers le haut.

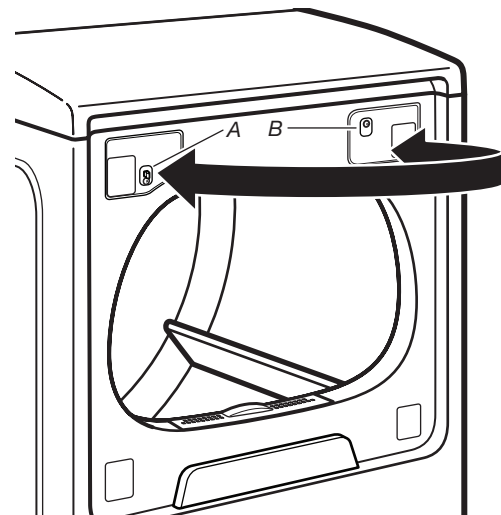
4. Retirer les 2 chevilles de plastique (A) situées à l'extérieur de l'ouverture de la porte de la sécheuse.



5. Installer 2 chevilles de plastique (A) dans les trous des vis où les charnières ont été retirées à l'étape 4.

Inversion de la gâche :

1. Retirer la gâche de la porte (A) de l'ouverture de la porte de la sécheuse.
2. Retirer la vis esthétique (B) (sur certains modèles) à l'opposé de la gâche de la porte (A).



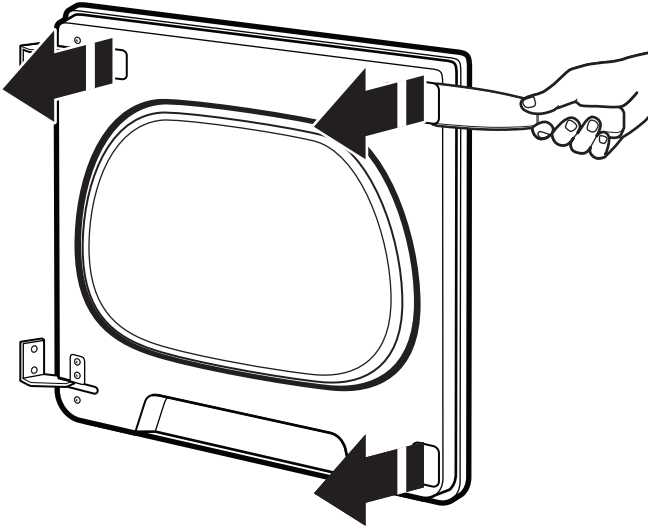
A. Gâche de la porte
B. Vis esthétique (sur certains modèles)

3. Réinstaller la gâche de la porte et la vis esthétique (sur certains modèles) au côté opposé de leur emplacement initial.

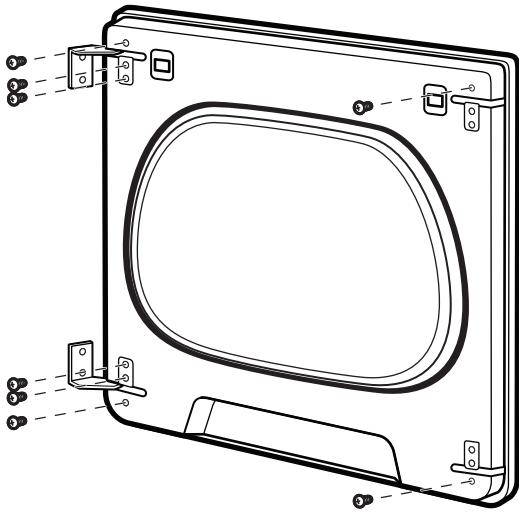
REMARQUE : La gâche de la porte et les chevilles doivent être sur le même côté de l'ouverture de la porte.

Dépose de la porte :

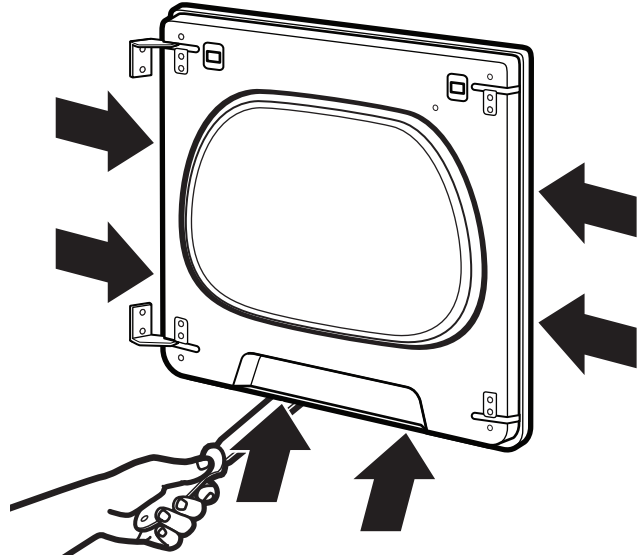
1. Poser la porte sur une surface plane protégée, côté intérieur (partie interne de la porte) vers le haut. Retirer les 3 chevilles à l'aide d'un couteau à mastic. Elles sont munies d'une ouverture pour y insérer le couteau à mastic et les extraire.



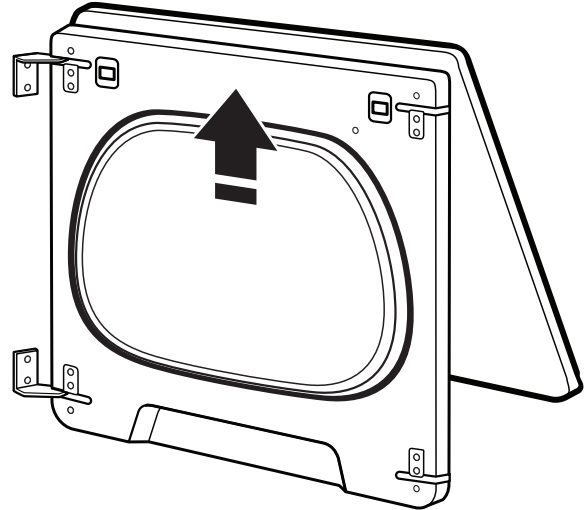
2. Retirer les 8 vis de la porte de la sècheuse et les mettre de côté.



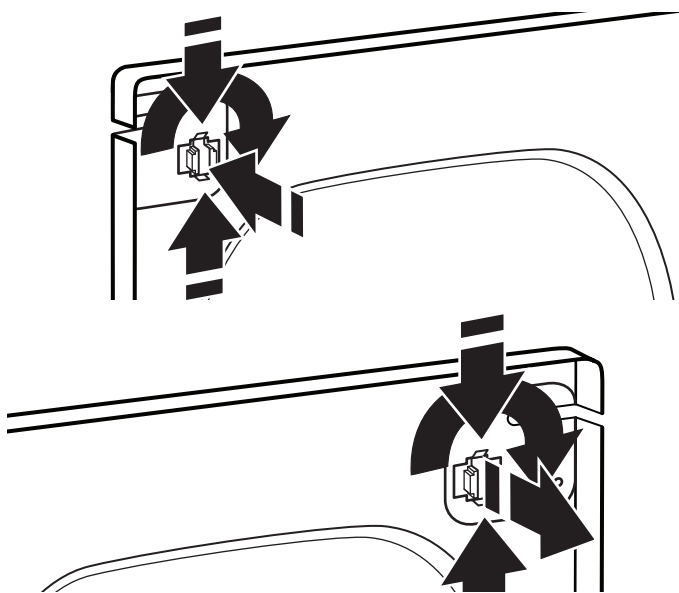
3. Retirer la porte intérieure en séparant les côtés et le bas de la porte de la sècheuse et de la garniture à l'aide d'un couteau à mastic en plastique. 2 attaches sont situées sur la gauche, sur la droite et sur le bas de la porte. Insérer le couteau à mastic à côté des attaches.



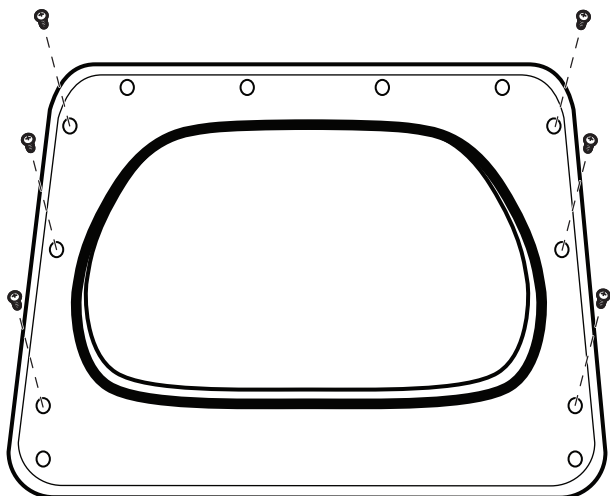
4. Une fois la porte séparée du cadre, utiliser un couteau à mastic pour soulever la languette centrale, puis tirer la porte vers vous et vers l'extérieur.



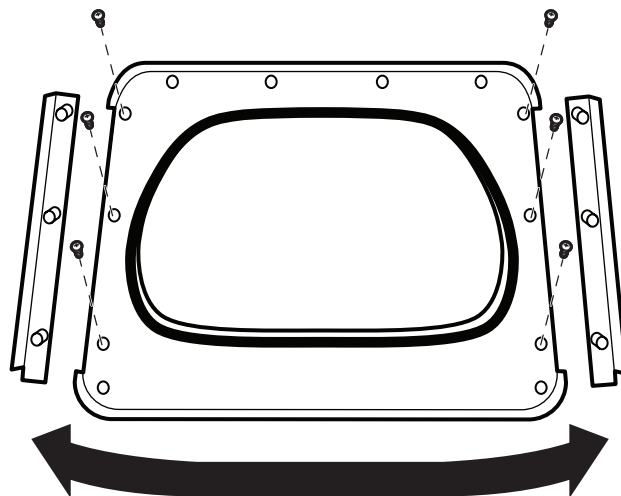
5. Retirer la cheville de la gâche de la porte à l'aide d'un tournevis à tête plate. Retirer la gâche de la porte en pinçant les agrafes de l'intérieur du panneau de la porte, puis en les faisant pivoter et en appuyant sur l'avant. Insérer la gâche de la porte en la poussant en place de l'autre côté de la porte de la sècheuse, puis insérer la cheville de la gâche de la porte.



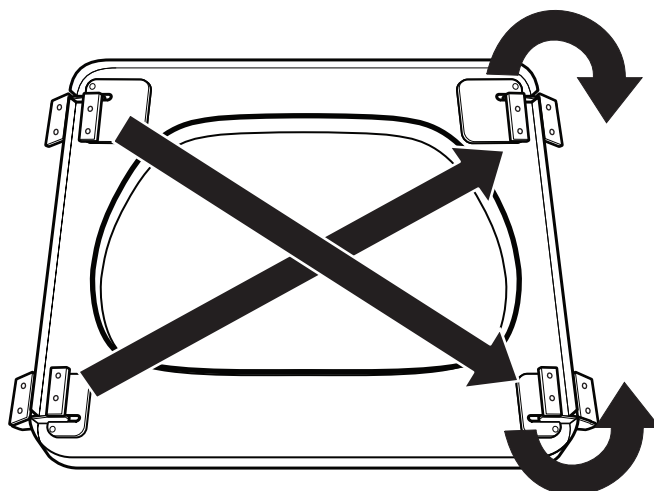
6. Retirer les charnières de la porte et les mettre de côté.
7. Retirer les 3 vis sur les côtés gauche et droit de la porte pour retirer les garnitures extérieures.



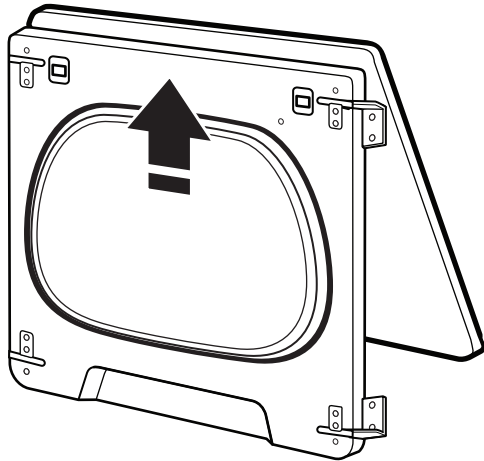
8. Soulever la porte et faire pivoter les garnitures du côté opposé par rapport à leur emplacement initial. Revisser ensuite les garnitures.



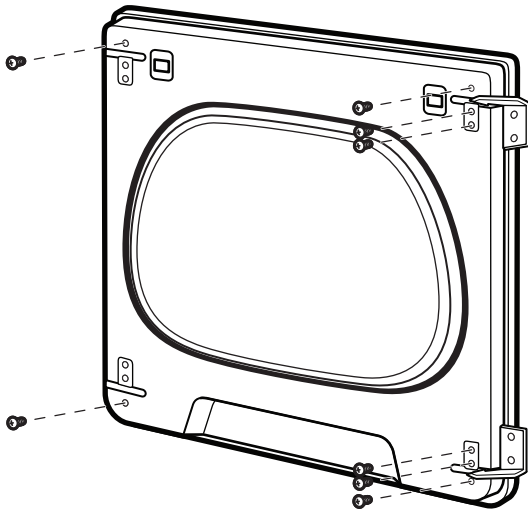
9. Ajouter les charnières sur le côté droit de la porte, puis basculer la charnière portant la mention 1 sur le bas du côté droit, et la charnière portant la mention 2 sur le sommet du côté droit de la porte.



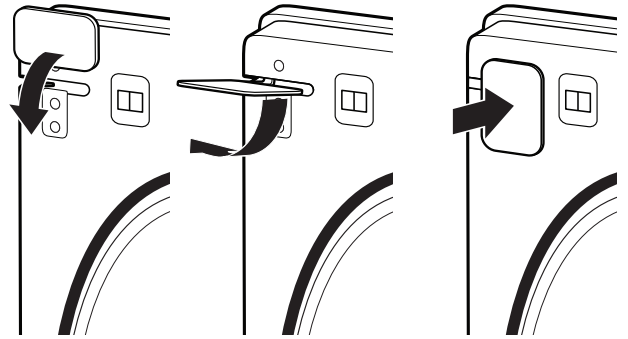
10. Remettre en place le panneau intérieur de la porte sur la porte en faisant coulisser le sommet sur la garniture supérieure, et abaisser la porte. Ensuite, emboîter en appuyant sur les coins, avec les charnières alignées dans les trous de charnières.



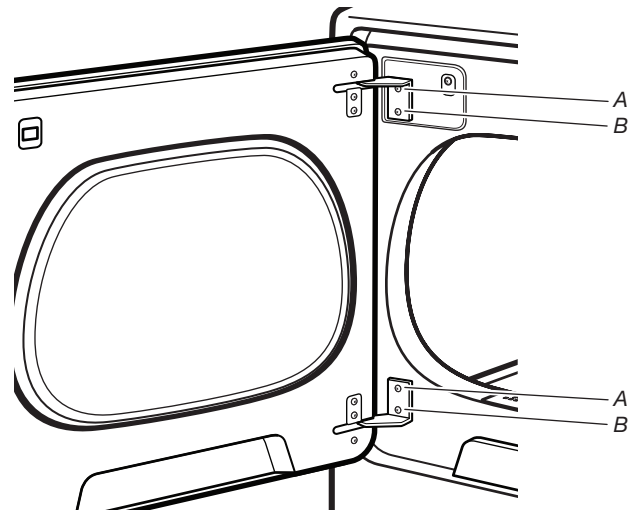
11. Installer les 6 vis de charnière et les 2 autres vis.



12. Installer les couvre-charnières et les chevilles. Les couvre-charnières s'insèrent de côté, puis se pivotent à 90° pour s'emboîter en place.



13. Suspendre la porte en insérant une goupille à demeure dans le trou de la caisse du cabinet et en glissant la porte vers le bas. À l'aide d'un tournevis T20®, installer d'abord des vis (A), et ensuite les vis (B). Serrer toutes les vis de la charnière.



ENTRETIEN DE LA SÉCHEUSE

NETTOYAGE DE L'EMPLACEMENT DE LA SÉCHEUSE

Éviter de laisser autour de la sècheuse des éléments qui pourraient obstruer la circulation de l'air et empêcher le bon fonctionnement de la sècheuse. Ceci implique de dégager également les éventuelles piles de vêtements placées devant la sècheuse.

AVERTISSEMENT



Risque d'explosion

Garder les matières et les vapeurs inflammables, telle que l'essence, loin de la sècheuse.

Placer la sècheuse au moins 46 cm (18 po) au-dessus du plancher pour une installation dans un garage.

Le non-respect de ces instructions peut causer un décès, une explosion ou un incendie.

NETTOYAGE DE L'INTÉRIEUR DE LA SÉCHEUSE

Nettoyage du tambour de la sècheuse

1. Utiliser un détergent à vaisselle doux mélangé à une faible concentration d'eau très chaude et frotter avec un chiffon doux.
2. Rincez soigneusement avec une éponge ou une serviette mouillée.
3. Faire culbuter une charge de linge ou de serviettes propres pour sécher le tambour.

OU

Utiliser un chiffon en microfibre et de l'eau chaude dans un flacon de vaporisation pour nettoyer le tambour et une deuxième serviette en microfibre pour le séchage.

REMARQUE : Les vêtements contenant des teintures instables, tels les jeans en denim bleu ou articles en coton de couleur vive, peuvent décolorer l'intérieur de la sècheuse. Ces taches ne sont pas nocives pour votre sècheuse et ne tacheront pas les vêtements des charges futures. Faire sécher les articles à teinture instable sur l'envers pour éviter le transfert de la teinture.

RETIRER LA CHARPIE ACCUMULÉE

De l'intérieur de la caisse de la sècheuse

Retirer la charpie tous les 2 ans, ou plus souvent, selon l'utilisation de la sècheuse. Le nettoyage doit être effectué par un réparateur qualifié ou un nettoyeur de systèmes de ventilation.

À partir du conduit d'évacuation

Retirer la charpie tous les 2 ans, ou plus souvent, selon l'utilisation de la sècheuse.

NETTOYAGE DU FILTRE À CHARPIE

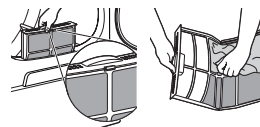
Nettoyage avant chaque charge

Le filtre à charpie se trouve dans l'ouverture de la porte de la sècheuse. Un filtre obstrué de charpie peut augmenter la durée de séchage.

Nettoyage :

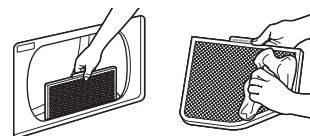
Style 1

1. Enlever le filtre à charpie en le tirant vers le haut. Appuyer sur l'onglet sur le devant et ouvrir le filtre à charpie. Retirer la charpie du filtre en la roulant avec les doigts. Ne pas rincer ni laver le filtre pour enlever la charpie. La charpie mouillée s'enlève difficilement.



Style 2

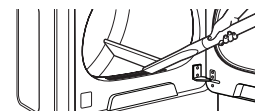
1. Retirer le filtre à charpie de son logement. Retirer la charpie du filtre en la roulant avec les doigts. Ne pas rincer ni laver le filtre pour enlever la charpie. La charpie mouillée s'enlève difficilement.



2. Bien remettre le filtre à charpie en place.

IMPORTANT :

- Ne pas faire fonctionner la sècheuse avec un filtre à charpie déplacé, endommagé, bloqué ou manquant. Une telle action peut causer une surchauffe ou des dommages à la sècheuse et aux tissus.
- Si de la charpie tombe dans la sècheuse au moment du retrait du filtre, vérifier le conduit d'évacuation et retirer la charpie. Voir la section « Exigences concernant l'évacuation » dans les Instructions d'installation.
- Au besoin, nettoyer l'espace où se trouve la charpie à l'aide d'un aspirateur, enlever doucement toute charpie qui s'est accumulée à l'extérieur du filtre à charpie.



NETTOYAGE DU FILTRE À CHARPIE (SUITE)

Nettoyage au besoin :

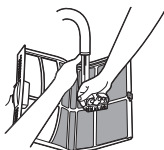
Des résidus de détergent ou d'assouplisseur de tissu peuvent s'accumuler sur le filtre à charpie. Cette accumulation peut entraîner des temps de séchage plus longs, ou l'arrêt de la sècheuse avant que la charge ne soit complètement sèche. Si de la charpie tombe du filtre alors qu'il est dans la sècheuse, il est probablement obstrué.

Nettoyer le filtre à charpie avec une brosse de nylon tous les six mois ou plus fréquemment s'il se bouche en raison d'une accumulation de résidus.

Nettoyage :

1. Retirez la charpie du filtre en la roulant avec les doigts.
2. Mouiller les deux côtés du filtre à charpie avec de l'eau chaude.
3. Mouiller une brosse en nylon avec de l'eau chaude et du détergent liquide. Frotter le filtre à charpie avec la brosse pour enlever l'accumulation de résidus.

Style 1



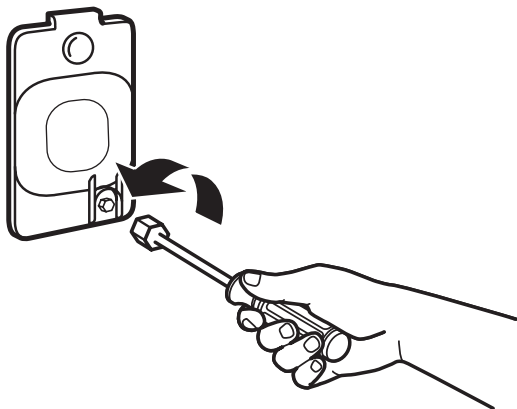
Style 2



4. Rincer le filtre à l'eau chaude.
5. Bien sécher le filtre à charpie avec une serviette propre. Réinstaller le filtre dans la sècheuse.

CHANGEMENT DE L'AMPOULE D'ÉCLAIRAGE DU TAMBOUR (SUR CERTAINS MODÈLES)

1. Débrancher la sècheuse ou déconnecter la source de courant électrique.
2. Ouvrir la porte de la sècheuse. Trouver le couvercle de l'ampoule d'éclairage sur la paroi arrière de la sècheuse. À l'aide d'un tourne-écrou de 1/4 po (6 mm) ou d'une clé à douille, retirer la vis située à l'angle inférieur droit du couvercle. Enlever le couvercle.



3. Tourner l'ampoule dans le sens antihoraire. Remplacer l'ampoule uniquement par une ampoule de 10 W pour appareil électroménager. Réinstaller le couvercle et le fixer avec la vis.
4. Brancher sur une prise reliée à la terre ou reconnecter la source de courant électrique.

VÉRIFICATION D'UNE CIRCULATION D'AIR ADÉQUATE POUR LE SYSTÈME D'ÉVACUATION

⚠ AVERTISSEMENT



Risque d'incendie

Utiliser un conduit d'évacuation en métal lourd.

Ne pas utiliser un conduit d'évacuation en plastique.

Ne pas utiliser un conduit d'évacuation en feuille de métal.

Le non-respect de ces instructions peut causer un décès ou un incendie.

CIRCULATION D'AIR ADÉQUATE

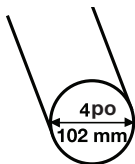
Une sècheuse a besoin de chaleur et d'une circulation d'air adéquate pour sécher efficacement les vêtements. Une ventilation adéquate réduit les durées de séchage et accroît les économies d'énergie. Voir les Instructions d'installation.

Le système d'évacuation fixé à la sècheuse joue un rôle important dans la circulation de l'air. Des conduits d'évacuation bloqués ou écrasés, ainsi qu'une installation inadéquate de l'évacuation, diminuent la circulation d'air et les performances de la sècheuse.

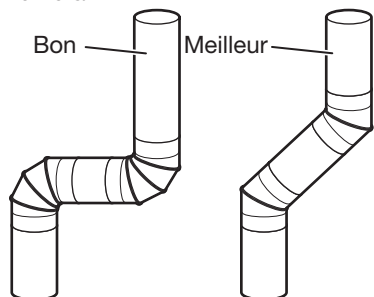
Les interventions de dépannage causées par une ventilation incorrecte ne sont pas couvertes par la garantie et seront à la charge du client, quel que soit l'installateur de la sècheuse. Pour nettoyer ou réparer l'évacuation d'air, contacter un technicien qualifié dans l'évacuation d'air.

MAINTENIR UNE BONNE CIRCULATION D'AIR EN EFFECTUANT LES OPÉRATIONS SUIVANTES :

- Nettoyer le filtre à charpie avant chaque charge.
- Remplacer le matériau de conduits d'évacuation en plastique ou en aluminium par des conduits d'évacuation lourds et rigides de 4 po (102 mm) de diamètre



- Toujours employer les conduits d'évacuation les plus courts possible.
- Ne pas utiliser plus de quatre coudes à 90° dans un circuit d'évacuation, car chaque inclinaison et courbe réduit le flux d'air.



- Retirer la charpie et les résidus du clapet d'évacuation.
- Retirer la charpie sur toute la longueur du circuit d'évacuation au moins tous les 2 ans. Après le nettoyage, veuillez suivre les instructions d'installation fournies avec la sécheuse pour une vérification finale de l'appareil.
- Dégager tout article qui se trouverait devant la sécheuse.

PRÉCAUTIONS À PRENDRE EN CAS DE NON UTILISATION, D'ENTREPOSAGE ET DE DÉMÉNAGEMENT

Modèles à vapeur uniquement : Installer et remettre la sécheuse à l'abri du gel. Il est possible que de l'eau stagne dans les tuyaux ; ceci pourrait endommager la sécheuse en période de gel. Si la sécheuse doit faire l'objet d'un déménagement ou de remisage au cours d'une période de gel, hivériser la sécheuse.

Entretien en cas de non-utilisation ou d'entreposage

Si l'utilisateur doit partir en vacances ou n'utilise pas la sécheuse pendant une période prolongée, il convient d'exécuter les opérations suivantes :

1. Débrancher la sécheuse ou déconnecter la source de courant électrique.
2. Nettoyer le filtre à charpie. Voir la section « Nettoyage du filtre à charpie ».
3. Fermer l'alimentation en eau de la sécheuse. Ceci permet d'éviter les inondations accidentelles (dus à une augmentation de la pression hydraulique) lorsque vous êtes absent.

Précautions à prendre avant un déménagement

Sécheuses alimentées par cordon d'alimentation :

1. Débrancher le cordon d'alimentation électrique.
2. Modèles à gaz uniquement : Fermer le robinet d'arrêt de la canalisation d'alimentation en gaz.
3. Modèles à gaz uniquement : Débrancher le tuyau de la canalisation de gaz et retirer les raccords fixés sur le tuyau de la sécheuse.
4. Modèles à gaz uniquement : Recouvrir la canalisation de gaz ouverte.
5. Modèles à vapeur uniquement : Fermer le robinet d'eau.
6. Modèles à vapeur uniquement : Déconnecter le tuyau d'arrivée d'eau du robinet, puis vidanger le tuyau. Transporter le tuyau séparément.
7. S'assurer que les pieds de nivellement sont solidement fixés à la base de la sécheuse.
8. Utiliser du ruban adhésif pour fixer la porte de la sécheuse.
9. Modèles avec tringle de la base : Retirer la tringle de la base avant de déplacer la sécheuse. Voir la section « Tringle de la base ».

⚠ AVERTISSEMENT



Risque de choc électrique

Déconnecter la source de courant électrique avant l'entretien.

Replacer pièces et panneaux avant de faire la remise en marche.

Le non-respect de ces instructions peut causer un décès ou un choc électrique.

Pour les sècheuses avec raccordement direct :

1. Déconnecter la source de courant électrique.
2. Déconnecter le câblage de la sècheuse et sécuriser les extrémités des fils.
3. Modèles à vapeur uniquement : Fermer le robinet d'eau.
4. Modèles à vapeur uniquement : Déconnecter le tuyau d'arrivée d'eau du robinet, puis vidanger le tuyau. Transporter le tuyau séparément.
5. S'assurer que les pieds de nivellement sont solidement fixés à la base de la sècheuse.
6. Utiliser du ruban adhésif pour fixer la porte de la sècheuse.
7. Modèles avec tringle de la base : Retirer la tringle de la base avant de déplacer la sècheuse. Voir la section « Tringle de la base ».

Réinstallation de la sècheuse

Suivre les « Instructions d'installation » pour choisir l'emplacement, ajuster l'aplomb de la sècheuse et la raccorder.

INSTRUCTIONS SPÉCIALES MODÈLES À VAPEUR

Tuyau d'arrivée d'eau

Remplacer le tuyau d'arrivée d'eau et la crépine de tuyau après 5 ans d'utilisation afin de réduire le risque de défaillance du tuyau. Inspecter périodiquement le tuyau et le remplacer en cas de renflement, de déformation, de coupure et d'usure ou si une fuite se manifeste.

Lors du remplacement du tuyau d'arrivée d'eau, inscrire la date du remplacement.

Hivérisation de la sècheuse

1. Débrancher la sècheuse ou déconnecter la source de courant électrique.
2. Fermer le robinet d'eau.
3. Déconnecter les tuyaux d'arrivée d'eau des robinets et les vider.

Réutilisation de la sècheuse

1. Vidanger les canalisations d'eau. Reconnecter le tuyau d'arrivée d'eau au robinet. Ouvrir le robinet d'eau.
2. Brancher la sècheuse ou reconnecter la source de courant électrique comme décrit dans les « Instructions d'installation ».

SEGURIDAD DE LA SECADORA

Su seguridad y la seguridad de los demás es muy importante.

Hemos incluido muchos mensajes importantes de seguridad en este manual y en su electrodoméstico. Lea y obedezca siempre todos los mensajes de seguridad.



Este es el símbolo de alerta de seguridad.

Este símbolo le llama la atención sobre peligros potenciales que pueden ocasionar la muerte o una lesión a usted y a los demás.

Todos los mensajes de seguridad irán a continuación del símbolo de advertencia de seguridad y de la palabra "PELIGRO" o "ADVERTENCIA". Estas palabras significan:

 **PELIGRO**

Si no sigue las instrucciones de inmediato, usted puede morir o sufrir una lesión grave.

 **ADVERTENCIA**

Si no sigue las instrucciones, usted puede morir o sufrir una lesión grave.

Todos los mensajes de seguridad le dirán el peligro potencial, le dirán cómo reducir las posibilidades de sufrir una lesión y lo que puede suceder si no se siguen las instrucciones.

ADVERTENCIA

Peligro de incendio

Si no se siguen las advertencias de seguridad con exactitud, se podrían producir lesiones graves, muertes o daños a la propiedad.

No instale un ventilador de refuerzo en el conducto de escape.

Instale todas las secadoras de ropa de acuerdo con las instrucciones de instalación del fabricante de las secadoras.

IMPORTANTE: La instalación de gas debe cumplir con los códigos locales y en la ausencia de códigos locales, con el Código nacional de gas combustible (National Fuel Gas Code), ANSI Z223.1/NFPA 54 o el Código de instalación de gas natural y propano, CSA B149.1.

La secadora deberá estar conectada a tierra de acuerdo con los códigos locales, o en la ausencia de códigos locales, con el Código nacional eléctrico (National Electrical Code), ANSI/NFPA 70 o el Código canadiense de electricidad (Canadian Electrical Code), Parte 1, CSA C22.1.



ADVERTENCIA - “Riesgo de incendio”

- La instalación de la secadora de ropa debe estar a cargo de un instalador competente.
- Instale la secadora de ropa según las instrucciones del fabricante y los códigos locales.
- No instale una secadora de ropa con materiales de ventilación de plástico flexible o un conducto de metal flexible (de hoja de metal). Si se usa un conducto de metal flexible, éste deberá ser de un tipo específico, que esté identificado por el fabricante de electrodomésticos como apto para ser usado con secadoras de ropa. Es sabido que los materiales de ventilación flexibles se derrumban, se aplastan con facilidad y atrapan pelusa. Estas condiciones obstruirán el flujo de aire de la secadora de ropa y aumentarán el riesgo de incendio.
- Para reducir el riesgo de lesiones severas o la muerte, siga todas las instrucciones de instalación.
- Guarde estas instrucciones.

En el estado de Massachusetts se aplican las siguientes instrucciones de instalación:

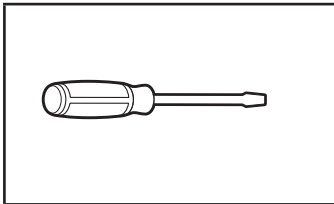
- Las instalaciones y reparaciones se deben efectuar por un contratista, plomero o gasista calificado o licenciado por el estado de Massachusetts.
- Reemplace con dispositivos de cierre aceptables: las llaves de gas y las válvulas de bola instaladas para el uso deben estar en la lista.
- Si se usa un conector de gas flexible no debe exceder de 4 pies (121,9 cm).

REQUISITOS DE INSTALACIÓN

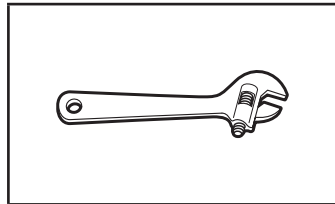
HERRAMIENTAS Y PIEZAS

Reúna las herramientas y las piezas necesarias antes de comenzar la instalación. Lea y siga las instrucciones provistas con cualquiera de las herramientas detalladas aquí.

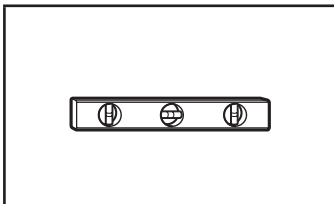
Herramientas necesarias para todas las instalaciones:



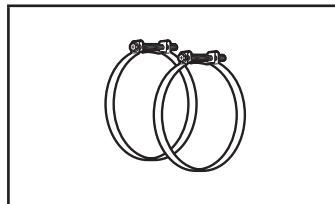
Destornillador de cabeza plana



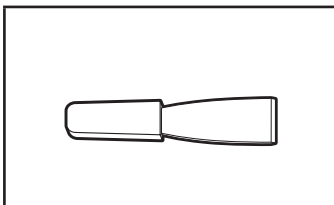
Llave ajustable que se abra a 1" o llave de cubo de cabeza hexagonal



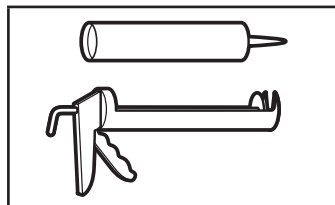
Nivel



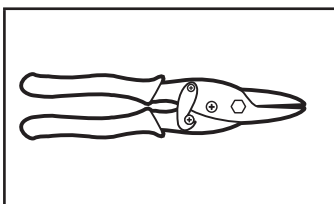
Abrazaderas para ducto



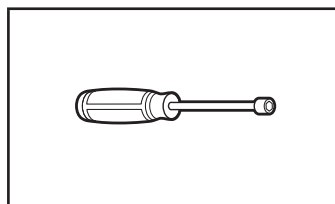
Cuchillo plástico para masilla



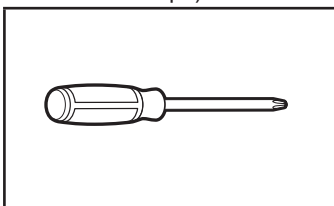
Pistola y compuesto para calafateo (para instalar el nuevo ducto de escape)



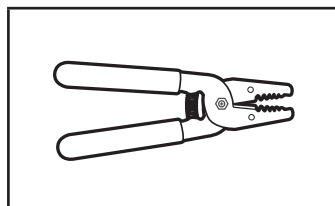
Tijeras cortachapa (instalaciones del nuevo ducto de escape)



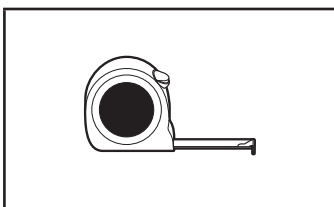
Llave de tuercas de 1/4" (se recomienda)



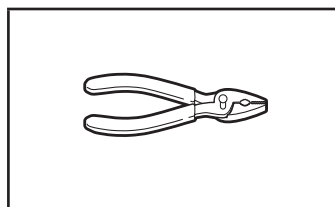
Destornillador Phillips N° 2



Pelacables (instalaciones de cableado directo)

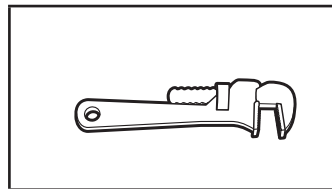


Cinta métrica

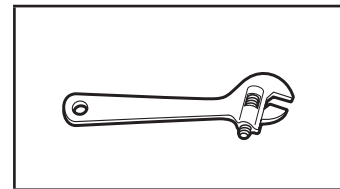


Alicate

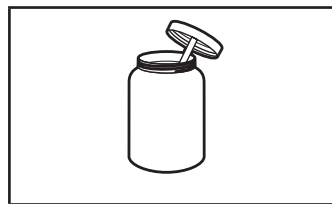
Herramientas necesarias para las instalaciones a gas:



Llave para tubos de 8" o 10"

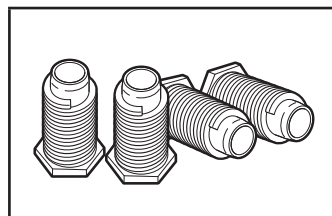


Llave ajustable de 8" o 10" (para conexiones de gas)



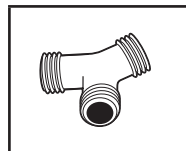
Compuesto para unión de tuberías resistente a gas propano

Piezas suministradas (todos los modelos):



Patas niveladoras (4)

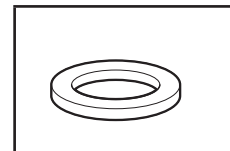
Piezas necesarias (modelos con vapor):



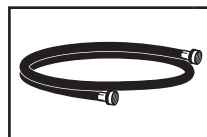
Conector en "Y"



Manguera de entrada corta



Arandela de goma (4)



Manguera de entrada

Si emplea un cable de suministro eléctrico:

Use un juego de cable de suministro eléctrico que esté en la lista de UL, para ser usado con secadoras de ropa. El juego deberá incluir:

- Un cable de suministro eléctrico de 30 A que esté en la lista de UL, clasificado para 120/240 V como mínimo, con una temperatura nominal mínima de 140 °F (60 °C). El cable deberá ser del tipo SRD o SRDT, y tener por lo menos 4 pies (1,22 m) de largo. Los alambres que lo conectan a la secadora deben acabar en terminales de anillo o de horquilla con los extremos hacia arriba.
- Un protector de cables que esté en la lista de UL.

Piezas necesarias: (No se proveen con la secadora) Verifique los códigos locales. Verifique el suministro eléctrico y la ventilación existentes. Consulte "Requisitos eléctricos" y "Requisitos de ventilación" antes de comprar las piezas.

Las instalaciones en casas rodantes requieren piezas para ducto de escape de metal que están disponibles en la tienda al por menor donde usted compró su secadora. Para obtener más información, consulte la sección “Ayuda o servicio técnico” en la “Guía de referencia rápida”.

REQUISITOS DE UBICACIÓN

⚠ ADVERTENCIA



Peligro de Explosión

Mantenga los materiales y vapores inflamables, como la gasolina, lejos de la secadora.

Coloque la secadora a un mínimo de 460 mm sobre el piso para la instalación en un garaje.

No seguir estas instrucciones puede ocasionar la muerte, explosión o incendio.

Necesitará:

- Una ubicación que permita una instalación adecuada del ducto de escape. Consulte “Requisitos de ventilación”.
- Se necesita un circuito separado de 15 o 20 A para las secadoras a gas, y uno de 30 A para las secadoras eléctricas.
- Si está usando un cable de suministro eléctrico, un contacto con conexión a tierra ubicado a no más de 2 pies (610 mm) de cualquiera de los lados de la secadora. Consulte “Requisitos eléctricos”.
- Un piso que soporte el peso de la secadora de 200 lb (90,7 kg). Tenga en cuenta también el peso de otro electrodoméstico que le acompañe.
- Un piso nivelado con un declive máximo de 1" (25 mm) debajo de la secadora completa. Si la pendiente es mayor que 1" (25 mm), es posible que la ropa no rote adecuadamente y los ciclos con sensor automático posiblemente no funcionen debidamente.
- Para realizar una instalación en el garaje, coloque la secadora por lo menos a 18" (460 mm) por encima del piso.
- **Solo para los modelos con vapor:** Grifos de agua fría ubicados a una distancia de no más de 4 pies (1,2 m) de las válvulas de llenado de agua y una presión de agua de 20 a 100 lb/inch² (137,9 a 689,6 kPa). Puede usar el suministro de agua de la lavadora al comprar las partes necesarias indicadas en “Partes necesarias”.

IMPORTANTE: No utilice, instale ni guarde la secadora donde estará expuesta al agua, a la intemperie o a temperaturas por debajo de 45 °F (7 °C). Las temperaturas más bajas pueden hacer que la secadora no se apague al final de los ciclos automáticos con sensor, lo que resultará en tiempos de secado más largos.

NOTA: No se puede instalar otro electrodoméstico que use combustible en el mismo clóset en el que se encuentra la secadora.

ESPACIOS LIBRES PARA LA INSTALACIÓN

Para cada disposición, considere dejar más espacio para facilitar la instalación y el servicio técnico, así como espacio para electrodomésticos que le acompañen y espacios libres para las molduras de la pared, de la puerta y del piso. El espacio debe ser lo suficientemente grande para permitir que la puerta se abra por completo. Agregue espacio en todos los lados de la secadora para reducir la transferencia de ruido. Si se instala una puerta de

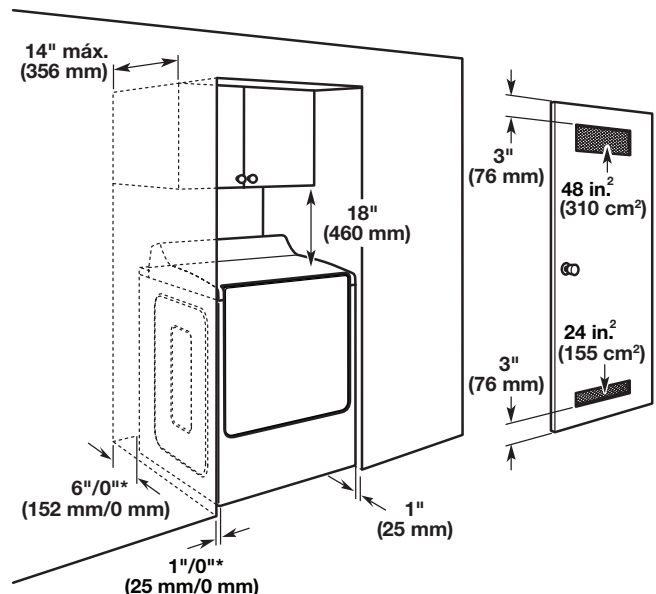
clóset o tipo persiana, es necesario que tenga aberturas para el aire en la parte superior e inferior de la puerta.

Verifique los requisitos de los códigos. Algunos códigos limitan o no permiten la instalación de la secadora en garajes, clósets, casas rodantes o dormitorios. Póngase en contacto con el inspector de construcciones de su localidad.

Espacio para la instalación en un lugar empotrado o en un clóset:

Las dimensiones que se ilustran son para el espacio recomendado.

- Debe considerarse espacio adicional para facilitar la instalación y el servicio técnico.
- Se podrían necesitar espacios libres adicionales para las molduras de la pared, de la puerta y del piso.
- Se recomienda dejar un espacio adicional de 1" (25 mm) en todos los lados de la secadora para reducir la transferencia de ruido.
- Para la instalación en clóset, con una puerta, se requieren aberturas de ventilación mínimas en la parte superior e inferior de la puerta. Se aceptan puertas tipo persianas con aberturas de ventilación equivalentes.
- También se debe considerar espacio adicional para otro electrodoméstico que le acompañe.



Espacios mínimos/recomendados

Requisitos de instalación adicionales para las casas rodantes:

Esta secadora es apropiada para instalaciones en casas rodantes.

La instalación debe ajustarse al Manufactured Home Construction and Safety Standard (Estándar de seguridad y construcción de casas fabricadas), Título 24 CFR, Parte 3280 (anteriormente conocido como Federal Standard for Mobile Home Construction and Safety (Estándar federal para la seguridad y construcción de casas rodantes), Título 24, HUD Parte 280) o al Estándar CAN/CSA-Z240 MH.

Las instalaciones en casas rodantes necesitan:

Todas las secadoras:

- Piezas para el sistema de escape de metal, que están disponibles con su distribuidor. Para obtener más información, consulte la sección “Ayuda o servicio técnico” en la “Guía de referencia rápida”.

- Se deben tomar medidas especiales en el caso de casas rodantes para introducir el aire del exterior a la secadora. Las aberturas (como la de una ventana adyacente) deberán ser por lo menos del doble de tamaño que la abertura de ventilación de la secadora.

Para las instalaciones de secadoras a gas en casas rodantes:

- Está disponible para ordenar el Juego de sujeción para instalaciones en casas rodantes. Para obtener más información, consulte la sección “Ayuda o servicio técnico” en la “Guía de referencia rápida.”

REQUISITOS ELÉCTRICOS – EE. UU. EE. UU.

Es su responsabilidad:

- Ponerse en contacto con un instalador eléctrico calificado.
- Asegurarse de que la conexión eléctrica sea adecuada y de conformidad con el Código Nacional Eléctrico, ANSI/NFPA 70 (última edición) y con todos los códigos y ordenanzas locales.

El Código Nacional Eléctrico requiere una conexión de suministro de energía eléctrica de 4 cables para aquellos hogares construidos después de 1996, para los circuitos de secadora que se hayan reformado después de 1996 y todas las instalaciones de casas rodantes.

Puede obtener una copia de las normas de los códigos antes indicados en: National Fire Protection Association, One Batterymarch Park, Quincy, MA 02269.

- Proveer el suministro eléctrico requerido de 3 o 4 hilos, monofásico, de 120/240 V, 60 Hz, CA solamente (o un suministro eléctrico de 3 o 4 hilos, de 120/208 V, si se especifica en la placa indicadora de clasificación/de la serie) en un circuito separado de 30 A, protegido con fusibles en ambos lados de la línea. Conéctelo a un circuito derivado individual. No tenga un fusible en el circuito neutro o de conexión a tierra.
- No use un cable eléctrico de extensión.
- Si los códigos lo permiten y se emplea un cable de conexión a tierra separado, se recomienda que un electricista calificado determine si la trayectoria de descarga a tierra es adecuada.

Conexión eléctrica:

Para instalar su secadora adecuadamente, usted debe determinar el tipo de conexión eléctrica que va a usar y seguir las instrucciones que aquí se proveen para el caso.

- Esta secadora ha sido manufacturada lista para ser instalada en una conexión de suministro de energía eléctrica de 3 hilos. El conductor neutro de conexión a tierra está permanentemente conectado al conductor neutro (cable blanco) dentro de la secadora. Si la secadora está instalada con una conexión de suministro eléctrico de 4 hilos, el conductor neutro de conexión a tierra se debe quitar del conector de conexión a tierra exterior (tornillo verde) y se debe ajustar debajo de la terminal neutra (cable central o blanco) del bloque de terminal. Cuando el conductor neutro de conexión a tierra esté ajustado debajo de la terminal neutra (cable central o blanco) del bloque de terminal, el gabinete de la secadora queda aislado del conductor neutro.
- Si los códigos locales no permiten la conexión de un cable neutro de conexión a tierra al cable neutro, consulte la sección “Conexión opcional de 3 cables.”

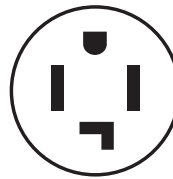
- Deberá usarse una conexión con suministro de energía de 4 hilos cuando el aparato esté instalado en una ubicación en la cual esté prohibida la conexión a tierra a través del conductor neutro. Está prohibido hacer la puesta a tierra a través del conductor neutro para (1) las nuevas instalaciones de circuito derivado, (2) casas rodantes, (3) vehículos de recreación y (4) áreas donde los códigos locales prohíben la conexión a tierra a través del conductor neutro.

Si emplea un cable de suministro eléctrico:

Use un juego de cable de suministro eléctrico que esté en la lista de UL, para ser usado con secadoras de ropa. El juego deberá incluir:

- Un cable de suministro eléctrico de 30 A que esté en la lista de UL, clasificado para 120/240 V como mínimo, con una temperatura nominal mínima de 140 °F (60 °C). El cable deberá ser del tipo SRD o SRDT y tener por lo menos 4 pies (1,22 m) de largo. Los alambres que lo conectan a la secadora deben acabar en terminales de anillo o de horquilla con los extremos hacia arriba.
- Un protector de cables que esté en la lista de UL.

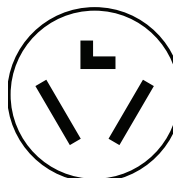
Si el contacto de pared luce como éste:



Tomacorriente
para 4 hilos
(14-30R)

Entonces elija un cable de suministro eléctrico de 4 hilos con terminales de anillo o de horquilla y con protector de cables que esté en la lista de UL. El cable de suministro de energía de 4 hilos, de por lo menos 4 pies (1,22 m) de largo, debe tener 4 hilos de cobre sólido de calibre 10 y encajar en un tomacorriente para 4 hilos tipo NEMA de 14-30R. El cable de puesta a tierra (conductor a tierra) puede ser verde o desnudo. El conductor neutro debe ser identificado con una cubierta blanca.

Si el contacto de pared luce como éste:



Tomacorriente
para 3 hilos
(10-30R)

Entonces elija un cable de suministro eléctrico de 3 hilos con terminales de anillo o de horquilla y con protector de cables que esté en la lista de UL. El cable de suministro eléctrico de 3 hilos, de por lo menos 4 pies (1,22 m) de largo, debe tener 3 hilos de cobre de calibre 10 y encajar en un tomacorriente para 3 hilos tipo NEMA de 10-30R.

Si hace la conexión con cableado directo:

El cable de suministro eléctrico debe ser igual al suministro eléctrico (de 4 hilos o de 3 hilos) y debe ser:

- Cable blindado flexible o cable de cobre forrado no metálico (con cable de conexión a tierra), cubierto con un conducto metálico flexible. Todos los cables conductores de corriente deben estar aislados.
- Hilos de cobre sólido de calibre 10 (no use aluminio) de por lo menos 5 pies (1,52 m) de largo.

INSTRUCCIONES PARA LA CONEXIÓN A TIERRA

- Para la conexión de una secadora mediante cable eléctrico conectado a tierra:

Esta secadora debe estar conectada a tierra. En el caso de funcionamiento defectuoso o avería, la conexión a tierra reducirá el riesgo de choque eléctrico al proporcionar una vía de menor resistencia para la corriente eléctrica. Esta secadora usa un cable que cuenta con un conductor para la conexión a tierra del equipo y un enchufe de conexión a tierra. El enchufe debe conectarse en un contacto apropiado, que esté debidamente instalado y conectado a tierra de acuerdo con todos los códigos y ordenanzas locales.

- Para la conexión permanente de una secadora: Esta secadora debe estar conectada a un sistema de cableado de metal permanente, conectado a tierra, o se debe tender un conducto para la conexión a tierra del equipo con los conductores de circuito y conectado al terminal de tierra del equipo o al conductor de suministro de la secadora.

ADVERTENCIA: La conexión indebida del conductor para la conexión a tierra del equipo puede ocasionar un riesgo de choque eléctrico. Verifique con un electricista, representante o personal de servicio técnico calificado para asegurarse de que la conexión a tierra de la secadora sea apropiada. No modifique el enchufe que viene con el cable eléctrico. Si no encaja en el contacto, contrate un electricista calificado para que instale un contacto adecuado.

GUARDE ESTAS INSTRUCCIONES

CONEXIÓN PARA SECADORA ELÉCTRICA – SOLAMENTE EN CANADÁ

REQUISITOS ELÉCTRICOS

⚠ ADVERTENCIA



Peligro de Choque Eléctrico

Conecte a un contacto de pared de conexión a tierra de 4 terminales.

No seguir estas instrucciones puede ocasionar la muerte, incendio o choque eléctrico.

Es su responsabilidad:

- Ponerse en contacto con un instalador eléctrico calificado.

- Asegurarse de que la conexión eléctrica sea adecuada y de conformidad con el Código eléctrico canadiense, C22.1 (última edición) y con todos los códigos locales. Usted puede obtener una copia de todas las normas arriba indicadas en: Asociación canadiense de normalización (Canadian Standards Association), 178 Rexdale Blvd., Toronto, ON M9W 1R3 CANADÁ.
- Proveer el suministro eléctrico requerido de 4 cables, monofásico, de 120/240 V, 60 Hz, CA solamente en un circuito separado de 30 A, protegido con fusibles en ambos lados de la línea. Se recomienda un fusible retardador o un disyuntor. Conéctelo a un circuito derivado individual.
- La secadora está equipada con un cable de suministro eléctrico certificado por CSA International y UL para ser enchufado en un tomacorriente de pared estándar tipo 14-30R. El cable tiene 5 pies (1,52 m) de largo. Cerciórese de que haya un tomacorriente de pared al alcance de la ubicación final de la secadora.



Tomacorriente para 4 hilos (14-30R)

Para obtener más información, tenga como referencia los números de servicio ubicados en la sección "Ayuda o servicio técnico" del "Manual de uso y cuidado."

INSTRUCCIONES PARA LA CONEXIÓN A TIERRA

- Para la conexión de una secadora mediante cable eléctrico conectado a tierra:

Esta secadora debe estar conectada a tierra. En el caso de funcionamiento defectuoso o avería, la conexión a tierra reducirá el riesgo de choque eléctrico al proporcionar una vía de menor resistencia para la corriente eléctrica. Esta secadora usa un cable que cuenta con un conductor para la conexión a tierra del equipo y un enchufe de conexión a tierra. El enchufe debe conectarse en un contacto apropiado, que esté debidamente instalado y conectado a tierra de acuerdo con todos los códigos y ordenanzas locales.

- Para la conexión permanente de una secadora: Esta secadora debe estar conectada a un sistema de cableado de metal permanente, conectado a tierra, o se debe tender un conducto para la conexión a tierra del equipo con los conductores de circuito y conectado al terminal de tierra del equipo o al conductor de suministro de la secadora.

ADVERTENCIA: La conexión indebida del conductor para la conexión a tierra del equipo puede ocasionar un riesgo de choque eléctrico. Verifique con un electricista, representante o personal de servicio técnico calificado para asegurarse de que la conexión a tierra de la secadora sea apropiada. No modifique el enchufe que viene con el cable eléctrico. Si no encaja en el contacto, contrate un electricista calificado para que instale un contacto adecuado.

GUARDE ESTAS INSTRUCCIONES

CONEXIÓN DE ENERGÍA DE LA SECADORA A GAS - EE. UU. Y CANADÁ

REQUISITOS ELÉCTRICOS

⚠ ADVERTENCIA



Peligro de Choque Eléctrico

Conecte a un contacto de pared de conexión a tierra de 3 terminales.

No quite la terminal de conexión a tierra.

No use un adaptador.

No use un cable eléctrico de extensión.

No seguir estas instrucciones puede ocasionar la muerte, incendio o choque eléctrico.

- Se requiere un suministro eléctrico de 120 V, 60 Hz, CA solamente, con fusibles de 15 o 20 A. Se recomienda un fusible retardador o un disyuntor. Asimismo se recomienda el uso de un circuito independiente que preste servicio únicamente a esta secadora.

INSTRUCCIONES PARA LA CONEXIÓN A TIERRA

- Para la conexión de una secadora mediante cable eléctrico conectado a tierra:

Esta secadora debe estar conectada a tierra. En el caso de funcionamiento defectuoso o avería, la conexión a tierra reducirá el riesgo de choque eléctrico al proporcionar una vía de menor resistencia para la corriente eléctrica. Esta secadora usa un cable que cuenta con un conductor para la conexión a tierra del equipo y un enchufe de conexión a tierra. El enchufe debe conectarse en un contacto apropiado, que esté debidamente instalado y conectado a tierra de acuerdo con todos los códigos y ordenanzas locales.

- Para la conexión permanente de una secadora: Esta secadora debe estar conectada a un sistema de cableado de metal permanente, conectado a tierra, o se debe tender un conducto para la conexión a tierra del equipo con los conductores de circuito y conectado al terminal de tierra del equipo o al conductor de suministro de la secadora.

ADVERTENCIA: La conexión indebida del conductor para la conexión a tierra del equipo puede ocasionar un riesgo de choque eléctrico. Verifique con un electricista, representante o personal de servicio técnico calificado para asegurarse de que la conexión a tierra de la secadora sea apropiada. No modifique el enchufe que viene con el cable eléctrico. Si no encaja en el contacto, contrate un electricista calificado para que instale un contacto adecuado.

GUARDE ESTAS INSTRUCCIONES

REQUISITOS DEL SUMINISTRO DE GAS

⚠ ADVERTENCIA



Peligro de Explosión

Use una línea de suministro de gas nueva con aprobación CSA Internacional.

Instale una válvula de cierre.

Apriete firmemente todas las conexiones de gas.

Si se conecta a un suministro de gas propano, la presión no debe exceder una columna de agua de 330 mm (13 pulg) y debe ser verificada por una persona calificada.

Ejemplos de una persona calificada incluyen:
personal de servicio del sistema de calefacción con licencia,
personal autorizado de la compañía de gas, y
personal autorizado para dar servicio.

No seguir estas instrucciones puede ocasionar la muerte, explosión o incendio.

TIPO DE GAS

Gas natural:

Esta secadora está equipada para uso con gas natural. Cuenta con la certificación de UL para el uso con gas propano con la conversión adecuada.

- Su secadora debe tener el quemador adecuado para el tipo de gas que tiene en su casa. La información respecto al quemador está ubicada en la placa de clasificación que está en la cavidad de la puerta de su secadora. Si esta información no está de acuerdo con el tipo de gas disponible, póngase en contacto con el distribuidor o llame a los números de teléfono mencionados en la sección "Ayuda o servicio técnico" de su Manual de uso y cuidado.

Conversión a gas propano:

IMPORTANTE: La conversión deberá llevarla a cabo un técnico calificado.

No se deberá hacer intento alguno para convertir la secadora del gas especificado en la placa indicadora del modelo/de la serie para utilizar un gas distinto sin consultar con la compañía de gas.

LÍNEA DE SUMINISTRO DE GAS

Opción 1 (Método recomendado)

Conector de gas flexible de acero inoxidable:

- Si los códigos locales lo permiten, use un conector de gas flexible nuevo de acero inoxidable (diseño certificado por la Asociación americana de gas o CSA International) para conectar su secadora a la línea rígida de suministro de gas. Use un codo y un accesorio adaptador abocinado NPT de 3/8" x 3/8" entre el conector de gas de acero inoxidable y el tubo de gas de la secadora según sea necesario para evitar que se doblen.

Opción 2 (Método alternativo)

Tubería aprobada de aluminio o de cobre

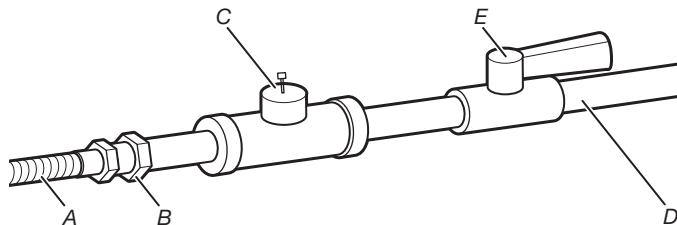
- Debe incluir una derivación tapada NPT de por lo menos 1/8" accesible para la conexión del manómetro de prueba, inmediatamente arriba de la conexión de suministro de gas a la secadora.
 - Se recomienda un tubo IPS de 1/2".
 - Es aceptable una tubería aprobada de aluminio o cobre de 3/8" para las longitudes menores a 20 pies (6,1 m) si permiten los códigos locales y del proveedor de gas.
 - Si usted está usando gas natural, no use tubería de cobre.
 - Para las longitudes mayores de 20 pies (6,1 m) se deben usar tuberías más largas y un accesorio adaptador de tamaño distinto.
 - Si su secadora ha sido convertida para usar gas LP, se puede usar una tubería de cobre compatible de 3/8". Si la longitud total de la línea de suministro es mayor que 20 pies (6,1 m), use un tubo más largo.
- NOTA:** Deben usarse compuestos para uniones de tubería que sean resistentes a la acción del gas propano. No utilice cinta TEFLON[†].
- Debe tener una válvula de cierre.

En los EE. UU.:

Se debe instalar una válvula de cierre individual manual a un máximo de seis (6) pies (1,8 m) de la secadora, de acuerdo con el Código nacional de gas combustible, ANSI Z223.1. La válvula deberá ubicarse en un lugar donde se pueda alcanzar con facilidad para cerrarla y abrirla.

En Canadá:

Se deberá instalar una válvula de cierre individual manual que esté de acuerdo con el Código de instalación de gas natural y propano (Natural Gas and Propane Installation Code) B149.1. Se recomienda instalar una válvula de cierre individual manual a una distancia de no más de seis (6) pies (1,8 m) de la secadora. La válvula deberá ubicarse en un lugar donde se pueda alcanzar con facilidad para cerrarla y abrirla.



A. Conector flexible de gas de 3/8"

B. Accesorio adaptador abocinado para tubo de 3/8"

C. Derivación tapada NPT por lo menos de 1/8"

D. Línea de suministro de gas NPT de 1/2"

E. Válvula de cierre de gas

REQUISITOS PARA LA CONEXIÓN DEL SUMINISTRO DE GAS

- De ser necesario, use un codo y un accesorio adaptador abocinado NPT de 3/8" x 3/8" entre el conector de gas flexible y el tubo de gas de la secadora, para evitar que se doblen.
- Use solamente compuesto para unión de tuberías. No utilice cinta TEFLON[†].
- Esta secadora debe conectarse a la línea de suministro de gas con un conector aprobado de gas flexible que cumpla con las normas para conectores de electrodomésticos a gas, ANSI Z21.24 o CSA 6.10.

REQUISITOS DE ENTRADA DEL QUEMADOR

Elevaciones por encima de 2000 pies (610 m):

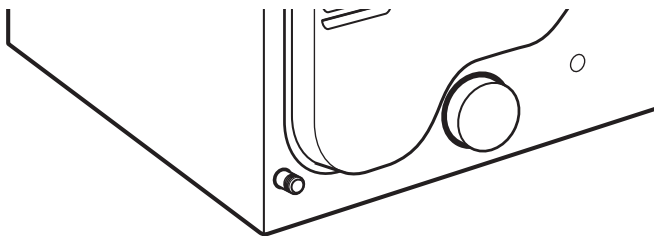
- Si se instala la secadora a un nivel superior a los 2000 pies (610 m) de altitud, se requiere una reducción del 4% de la clasificación de BTU del quemador, que se muestra en la placa del número de modelo/serie, por cada incremento de 1000 pies (305 m) de altitud.

Prueba de presión del suministro de gas:

- Durante pruebas de presión a presiones mayores de 1/2 lb/inch², la secadora debe ser desconectada del sistema de tubería del suministro de gas.

TUBO DE GAS DE LA SECADORA

- El tubo de gas que sale por la parte posterior de su secadora tiene una rosca macho de 3/8".



Tubo de gas NPT de 3/8" de la secadora

NOTA: Para realizar una instalación en el garaje, la tubería de gas deberá tener una altura adicional de 18" (460 mm) desde el piso.

[†]TEFLON es una marca comercial registrada de Chemours.

INSTALACIÓN DE LAS PATAS NIVELADORAS

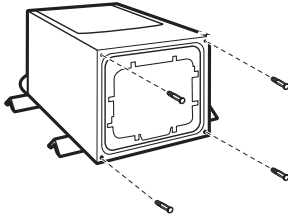
⚠️ ADVERTENCIA

Peligro de Peso Excesivo

Use dos o más personas para mover e instalar la secadora.

No seguir esta instrucción puede ocasionar una lesión en la espalda u otro tipo de lesiones.

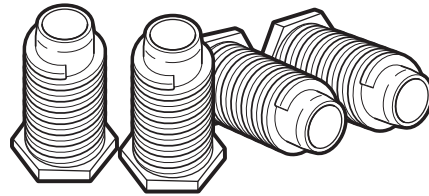
1. Prepare la secadora para las patas niveladoras



Sujete con firmeza el cuerpo de la secadora (no el panel de la consola) y coloque la secadora suavemente sobre esquineros con la parte trasera de cartón.

IMPORTANTE: Si apoya la secadora sobre la parte trasera, use los esquineros con los que estaba empacada la secadora para evitar daños en la parte trasera de la secadora.

2. Atornille las patas niveladoras



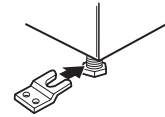
Con una llave y una cinta para medir, atornille las patas niveladoras dentro de los orificios para las patas hasta que la base del pie esté a aproximadamente 1" (25 mm) de la base de la secadora.

Ahora coloque la secadora en posición vertical. Deslice la secadora cerca de su ubicación final. Deje suficiente espacio para conectar el ducto de escape.

Para uso en casas rodantes

Las secadoras a gas deberán sujetarse firmemente al piso.

Las instalaciones en casas rodantes requieren un juego de sujeción para la instalación en casas rodantes. Para obtener información sobre pedidos, consulte la "Guía de referencia rápida".



CÓMO HACER LA CONEXIÓN DEL SUMINISTRO ELÉCTRICO – SOLO EN EE. UU.

CONEXIÓN ELÉCTRICA

Cable de suministro eléctrico:

⚠️ ADVERTENCIA



Peligro de Incendio

Use un cable de suministro eléctrico nuevo de 30 amperios que esté en la lista de UL.

Use un protector de cables que esté en la lista de UL.

Desconecte el suministro eléctrico antes de hacer las conexiones eléctricas.

Conecte el alambre neutro (el blanco o el del centro) a la terminal central (plateada).

El alambre de tierra (el verde o el no aislado) se debe conectar con el conector verde de tierra.

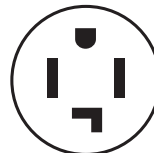
Conecte los 2 alambres de suministro restantes con las 2 terminales restantes (las doradas).

Apriete firmemente todas las conexiones eléctricas.

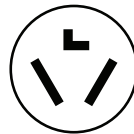
No seguir estas instrucciones puede causar la muerte, incendio, o choque eléctrico.

Opciones para la conexión eléctrica

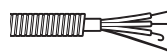
1. Seleccione el tipo de conexión eléctrica



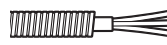
Tomacorriente del cable de suministro de energía de 4 hilos (tipo NEMA 14-30R): Vaya a Conexión por cable de suministro eléctrico.



Tomacorriente del cable de suministro de energía de 3 hilos (tipo NEMA 10-30R): Vaya a Conexión por cable de suministro eléctrico.



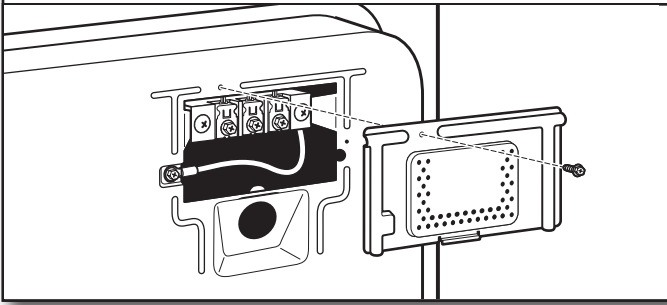
Conexión directa de 4 hilos: Vaya a Conexión de cable directo.



Conexión directa de 3 hilos: Vaya a Conexión de cable directo.

NOTA: Si los códigos locales no permiten la conexión de un conductor para conexión a tierra de la carcasa al cable neutro, vaya a "Conexión opcional de 3 hilos". Esta conexión se puede utilizar con un cable de suministro eléctrico o un cable directo.

2. Quite la tapa del bloque de terminal

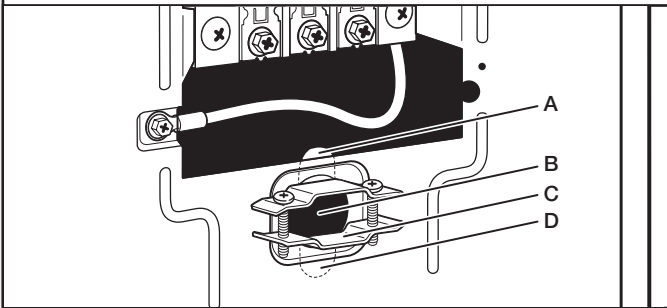


Quite el tornillo de sujeción y la cubierta de la caja de terminal.

CONEXIÓN POR CABLE DE SUMINISTRO ELÉCTRICO

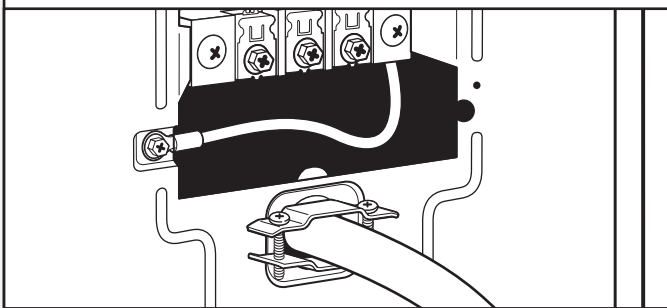
Protector del cable de suministro eléctrico:

1. Sujete el protector de cables del cable de suministro eléctrico



Quite los tornillos de un protector de cables de 19 mm (3/4") que esté en la lista de UL. Coloque las lengüetas de las dos secciones de la abrazadera (C) en el orificio que está debajo de la abertura del bloque de terminal (B) de manera que una lengüeta esté apuntando hacia arriba (A) y la otra esté apuntando hacia abajo (D), y sujételas en su lugar. Apriete los tornillos del protector de cables solo lo suficiente para mantener las dos secciones de la abrazadera (C) juntas.

2. Sujete el protector de cables del cable de suministro de energía



Haga pasar el cable de suministro eléctrico a través del protector de cables. Asegúrese de que el aislamiento de cables del cable de suministro eléctrico esté dentro del protector de cables. El protector de cables deberá encajar de manera ajustada con el gabinete de la secadora y estar en posición horizontal. No ajuste más los tornillos del protector de cables en este momento.

Si el contacto de pared luce como éste:



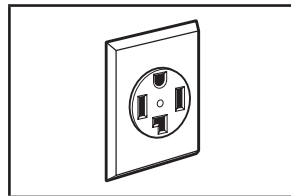
Tomacorriente de 4 hilos (Tipo NEMA 14-30R) para cable de suministro eléctrico:
Vaya a la sección "Conexión por cable de suministro eléctrico de 4 hilos".



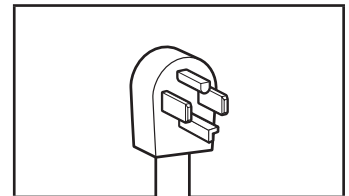
Tomacorriente de 3 hilos (Tipo NEMA 10-30R) para cable de suministro eléctrico:
Vaya a la sección "Conexión por cable de suministro eléctrico de 3 hilos".

Conexión con cable de suministro eléctrico de 4 hilos:

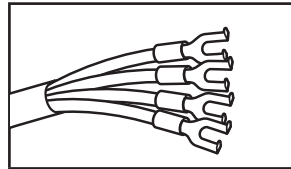
IMPORTANTE: Se necesita una conexión de 4 hilos para las casas rodantes y donde los códigos locales no permitan el uso de conexiones de 3 hilos.



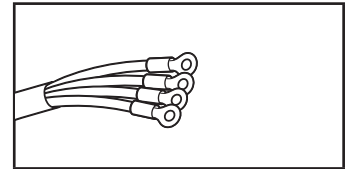
Tomacorriente de 4 hilos (NEMA tipo 14-30R)



Enchufe de 4 terminales

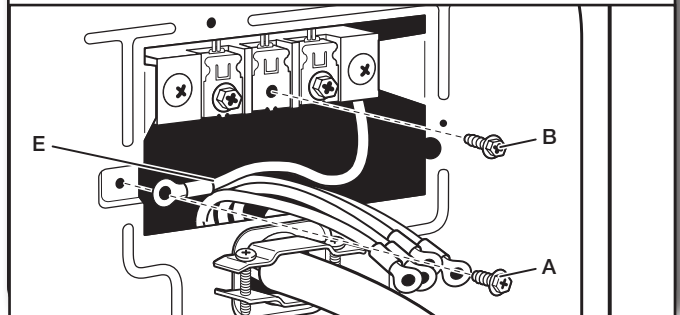


Terminales de horquilla con extremos hacia arriba



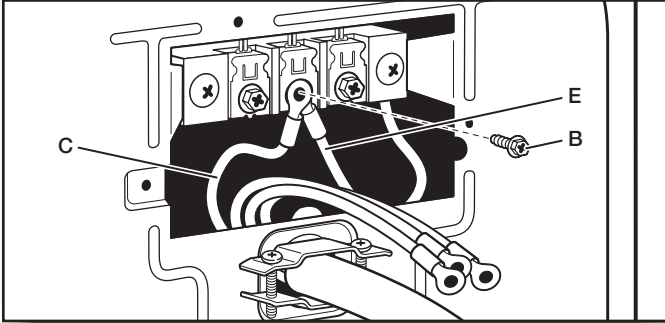
Terminales de anillo

1. Prepárese para conectar el cable neutro a tierra y el cable neutro



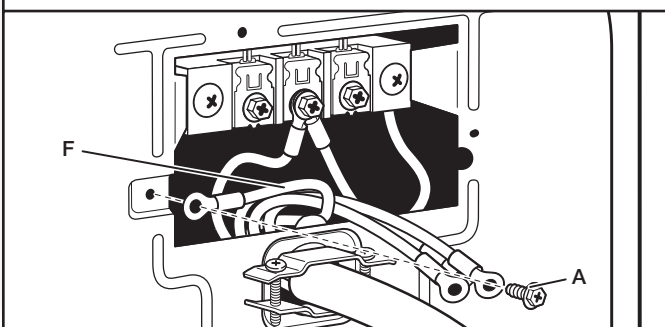
Quite el tornillo central del bloque de terminal (B). Saque el cable neutro de puesta a tierra (E) del tornillo conductor a tierra externo (A).

2. Conecte el cable neutro a tierra y el cable neutro



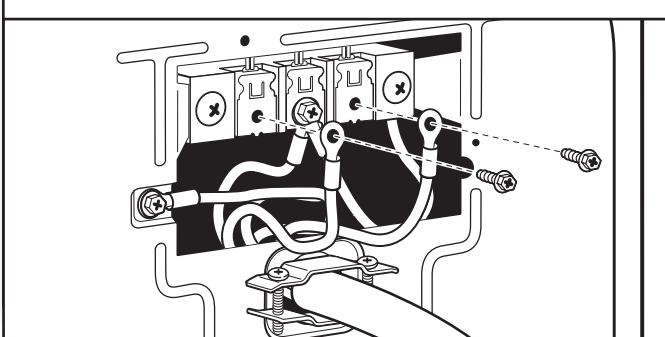
Conecte el hilo neutro de puesta a tierra (E) y el cable neutro (hilo blanco) (C) del cable de suministro eléctrico debajo del tornillo central del bloque de terminal (B). Apriete el tornillo.

3. Conecte el cable a tierra



Conecte el cable a tierra (F) (verde o desnudo) del cable de suministro eléctrico al tornillo conductor a tierra externo (A). Apriete el tornillo.

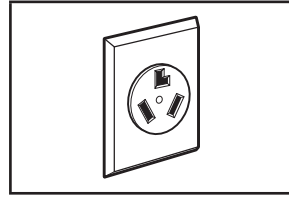
4. Conecte los hilos restantes



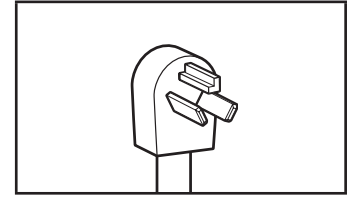
Conecte los hilos restantes a los tornillos externos del bloque de terminal. Apriete los tornillos. Por último vuelva a insertar la lengüeta de la tapa del bloque de terminal dentro de la ranura del panel posterior de la secadora. Asegure la tapa con un tornillo de sujeción. Ahora vaya a "Requisitos de ventilación."

Conexión con cable de suministro eléctrico de 3 hilos

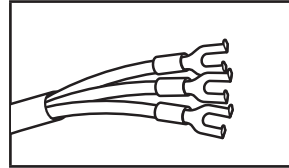
Úselo donde los códigos locales permitan la conexión del conductor de tierra de la carcasa al cable neutro.



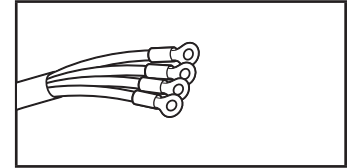
Tomacorriente de 3 hilos (NEMA tipo 10-30R)



Enchufe de 3 terminales

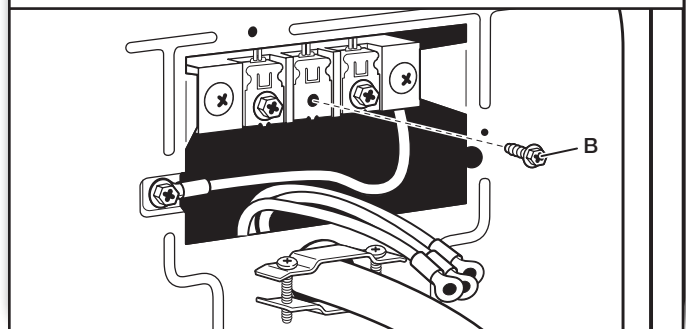


Terminales de horquilla con extremos hacia arriba



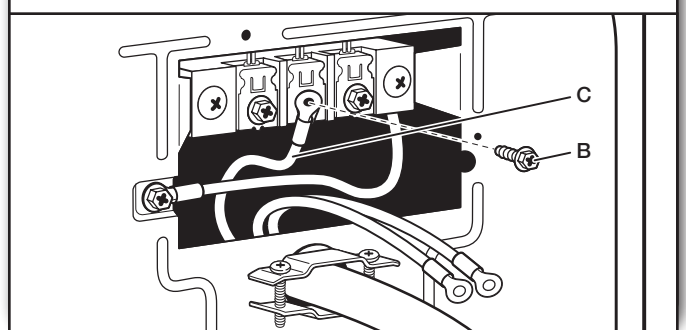
Terminales de anillo

1. Quite el tornillo central



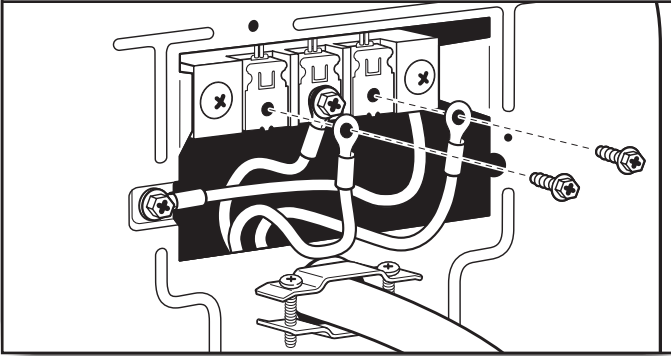
Quite el tornillo central del bloque de terminal (B).

2. Conecte el cable neutro



Conecte el cable neutro (hilo blanco o central) (C) del cable de suministro eléctrico al tornillo central del bloque de terminal (B). Apriete el tornillo.

3. Conecte los hilos restantes



Conecte los hilos restantes a los tornillos externos del bloque de terminal. Apriete los tornillos. Por último vuelva a insertar la lengüeta de la tapa del bloque de terminal dentro de la ranura del panel posterior de la secadora. Asegure la tapa con un tornillo de sujeción. Ahora vaya a "Requisitos de ventilación."

CONEXIÓN POR CABLE DIRECTO

⚠ ADVERTENCIA

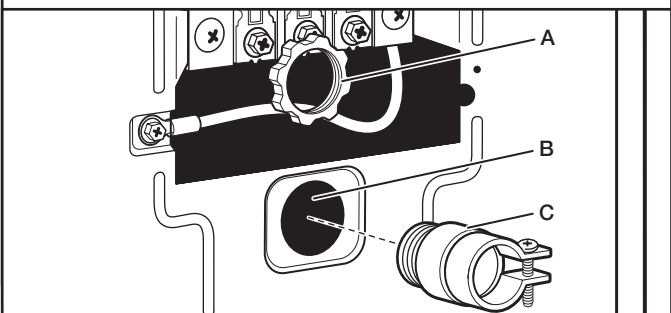


Peligro de Incendio

- Utilice alambres de cobre sólido de ancho 10.
- Use un protector de cables que esté en la lista de UL.
- Desconecte el suministro eléctrico antes de hacer las conexiones eléctricas.
- Conecte el alambre neutro (el blanco o el del centro) a la terminal central (plateada).
- El alambre de tierra (el verde o el no aislado) se debe conectar con el conector verde de tierra.
- Conecte los 2 alambres de suministro restantes con las 2 terminales restantes (las doradas).
- Apriete firmemente todas las conexiones eléctricas.
- No seguir estas instrucciones puede causar la muerte, incendio o choque eléctrico.

Protector de cables para cable directo:

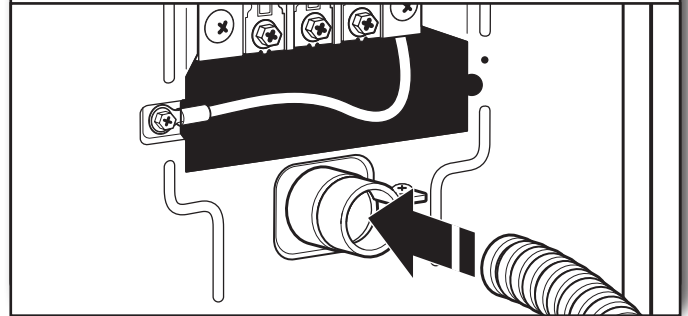
1. Sujete el protector de cables para cable directo



Desatornille el conector de conducto extraíble (A) y cualquier tornillo del protector de cables de 3/4" (19 mm) que está en la lista de UL.

Haga pasar la sección trenzada del protector de cables (C) a través del orificio que está debajo de la abertura del bloque de terminal (B). Busque dentro de la abertura del bloque de terminal y atornille el conector de conducto removible (A) sobre las roscas del protector de cables.

2. Sujete el cable directo al protector de cables



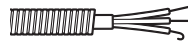
Haga pasar el cable directo a través del protector de cables. El protector de cables deberá encajar de manera ajustada con el gabinete de la secadora y estar en posición horizontal. Apriete el tornillo del protector de cables contra el cable directo.

Si el cableado luce como éste:



Conexión directa de 4 hilos:

Vaya a "Conexión por cable directo de 4 hilos" en esta página.



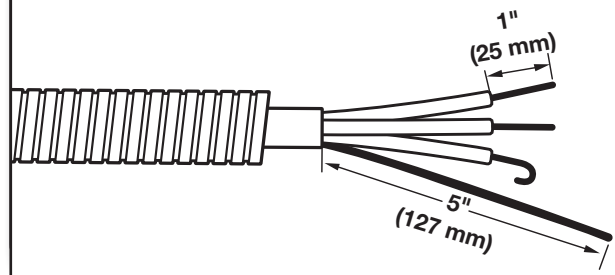
Conexión directa de 3 hilos:

Vaya a "Conexión por cable directo de 3 hilos" en la página 11.

Conexión por cable directo de 4 hilos:

IMPORTANTE: Se necesita una conexión de 4 hilos para las casas rodantes y donde los códigos locales no permitan las conexiones de 3 hilos.

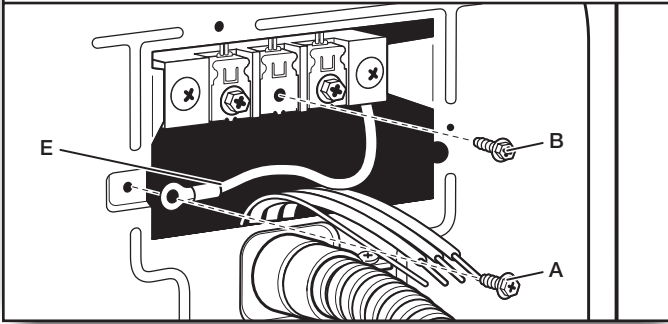
1. Prepare el cable de 4 hilos para la conexión directa



El cable del hilo directo deberá tener 5 pies (1,52 m) de largo adicional, para poder mover la secadora si es necesario.

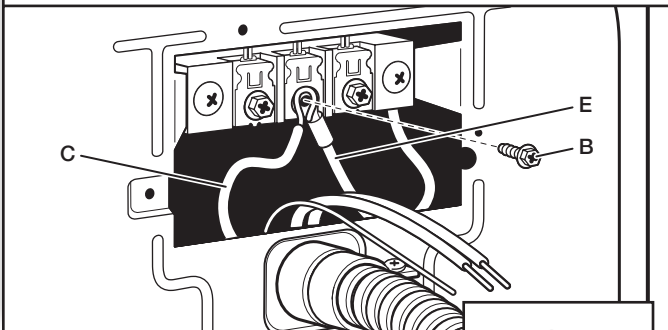
Pele 5" (127 mm) de la cubierta exterior del extremo del cable, dejando el cable a tierra desnudo a 5" (127 mm). Corte 1½" (38 mm) de los 3 hilos restantes. Pele el aislamiento 1" (25 mm). Dé forma de gancho a los extremos de los alambres.

2. Prepárese para conectar el cable neutro de conexión a tierra y el cable neutro



Quite el tornillo central del bloque de terminal (B). Saque el cable neutro de puesta a tierra (E) del tornillo conductor a tierra externo (A).

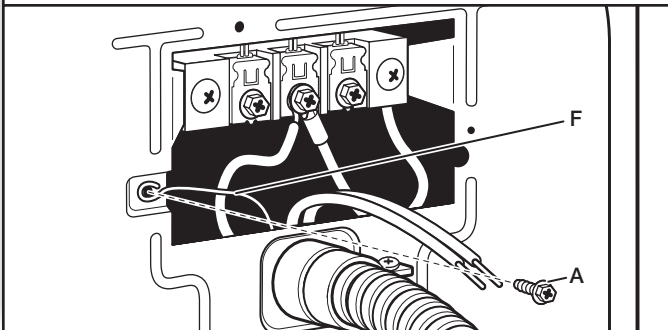
3. Conecte el cable neutro a tierra y el cable neutro



Conecte el cable neutro de puesta a tierra (E) y coloque el extremo en forma de gancho (gancho mirando hacia la derecha) del cable neutro (blanco o central) (C) del cable de conexión directa debajo del tornillo central del bloque de terminal (B). Apriete los extremos en forma de gancho y apriete el tornillo.

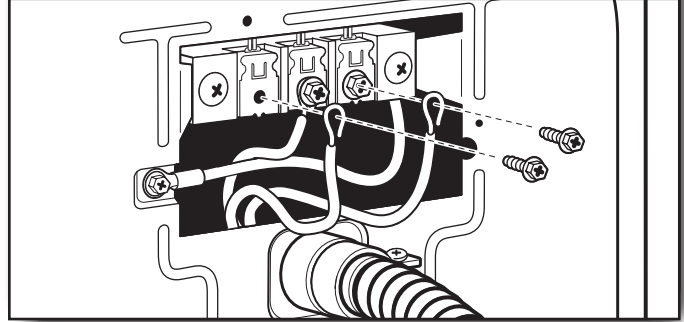


4. Conecte el hilo a tierra



Conecte el cable a tierra (verde o desnudo) (F) del cable directo al tornillo conductor a tierra externo (A). Apriete el tornillo.

5. Conecte los hilos restantes

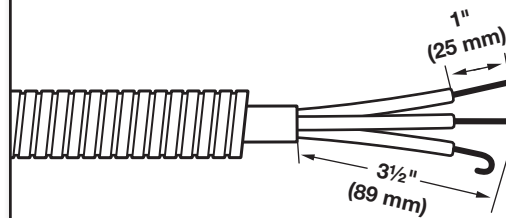


Coloque los extremos en forma de gancho de los hilos restantes del cable de conexión directa debajo de los tornillos exteriores del bloque de terminal (con los ganchos mirando hacia la derecha). Apriete los extremos en forma de gancho y apriete los tornillos. Por último vuelva a insertar la lengüeta de la tapa del bloque de terminal dentro de la ranura del panel posterior de la secadora. Asegure la tapa con un tornillo de sujeción. Ahora vaya a "Requisitos de ventilación."

Conexión por cable directo de 3 hilos

Úselo donde los códigos locales permitan la conexión del conductor de tierra de la carcasa al cable neutro.

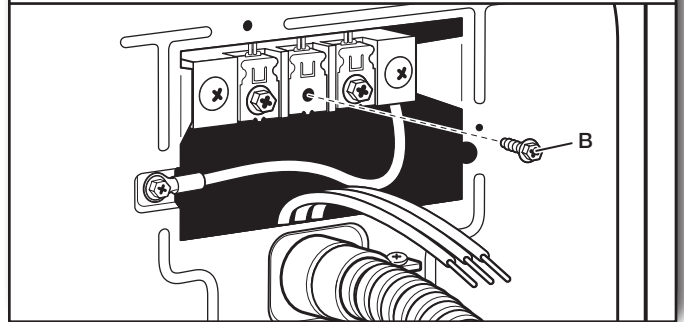
1. Prepare el cable de 3 hilos para la conexión directa



El cable del hilo directo deberá tener 5 pies (1,52 m) de largo adicional, para poder mover la secadora si es necesario.

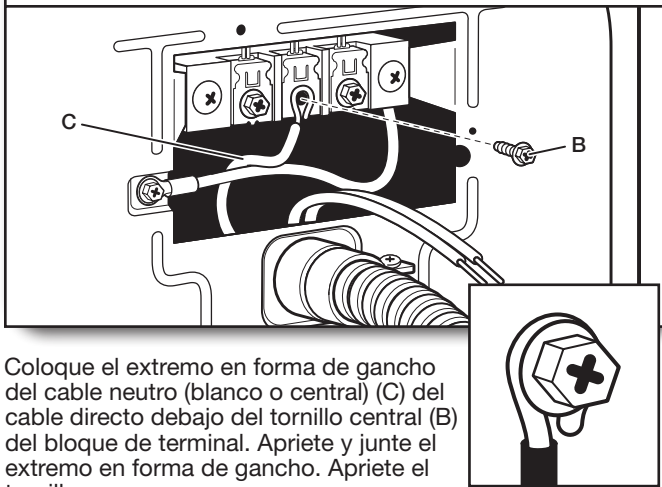
Pele 3 1/2" (89 mm) de la cubierta exterior del extremo del cable. Pele el aislamiento 1" (25 mm). Si va a usar el cable de 3 hilos con cable a tierra, corte el cable desnudo alineado con la cubierta exterior. Dé forma de gancho a los extremos de los alambres.

2. Quite el tornillo central



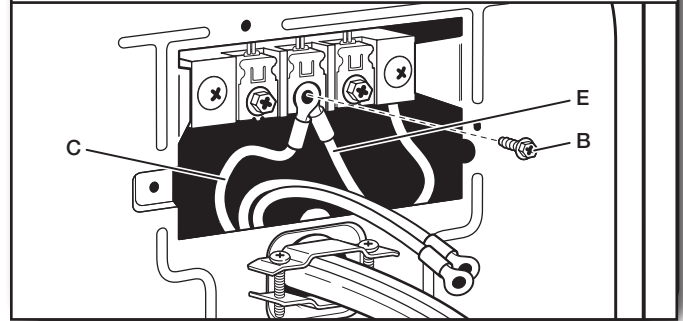
Quite el tornillo central del bloque de terminal (B).

3. Conecte el cable neutro



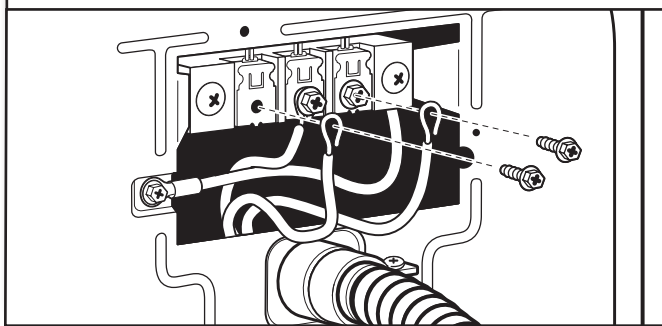
Coloque el extremo en forma de gancho del cable neutro (blanco o central) (C) del cable directo debajo del tornillo central (B) del bloque de terminal. Apriete y junte el extremo en forma de gancho. Apriete el tornillo.

2. Conecte el cable neutro a tierra y el cable neutro



Conecte el cable neutro de puesta a tierra (E) y el cable neutro (hilo blanco o central) (C) del cable de suministro eléctrico debajo del tornillo central del bloque de terminal (B). Apriete el tornillo.

4. Conecte los hilos restantes

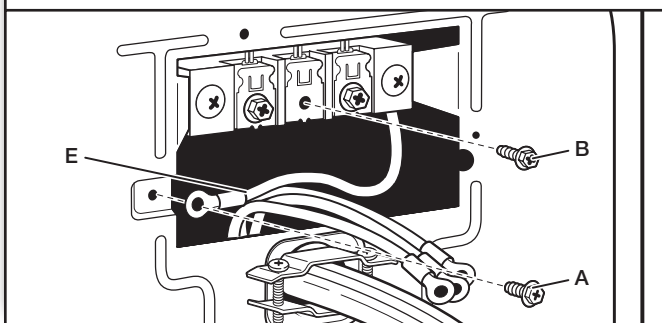


Coloque los extremos en forma de gancho de los hilos restantes del cable de conexión directa debajo de los tornillos exteriores del bloque de terminal (con los ganchos mirando hacia la derecha). Apriete los extremos en forma de gancho y apriete los tornillos. Por último vuelva a insertar la lengüeta de la tapa del bloque de terminal dentro de la ranura del panel posterior de la secadora. Asegure la tapa con un tornillo de sujeción. Ahora vaya a “Requisitos de ventilación”.

Conexión opcional de 3 cables:

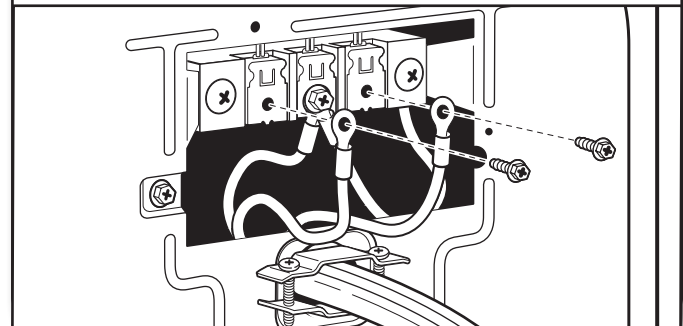
Antes de hacer la conexión, usted deberá verificar con un electricista competente que este método de conexión a tierra sea aceptable.

1. Prepárese para conectar el cable neutro de conexión a tierra y el cable neutro



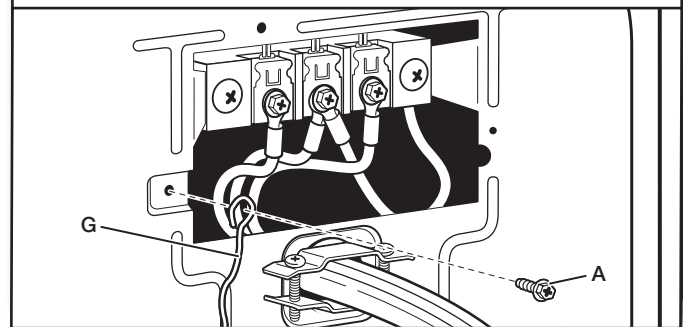
Quite el tornillo central del bloque de terminal (B). Saque el cable neutro de puesta a tierra (E) del tornillo conductor a tierra externo (A).

3. Conecte los hilos restantes



Conecte los hilos restantes a los tornillos exteriores del bloque de terminal. Ajuste los tornillos.

4. Conecte el hilo externo a tierra



Conecte un hilo a tierra de cobre separado (G) desde el tornillo conductor a tierra externo (A) a una conexión a tierra adecuada. Por último vuelva a insertar la lengüeta de la tapa del bloque de terminal dentro de la ranura del panel posterior de la secadora. Asegure la tapa con un tornillo de sujeción. Ahora vaya a “Requisitos de ventilación”.

CONEXIÓN DEL SUMINISTRO DE GAS - EE. UU. Y CANADÁ

⚠ ADVERTENCIA



Peligro de Explosión

Use una línea de suministro de gas nueva con aprobación CSA Internacional.

Instale una válvula de cierre.

Apriete firmemente todas las conexiones de gas.

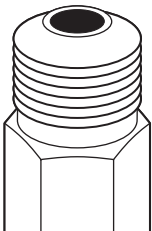
Si se conecta a un suministro de gas propano, la presión no debe exceder una columna de agua de 330 mm (13 pulg) y debe ser verificada por una persona calificada.

Ejemplos de una persona calificada incluyen: personal de servicio del sistema de calefacción con licencia, personal autorizado de la compañía de gas, y personal autorizado para dar servicio.

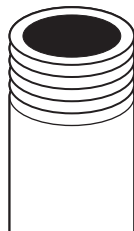
No seguir estas instrucciones puede ocasionar la muerte, explosión o incendio.

1. Conecte la línea de suministro de gas a la secadora

Accesorio macho abocinado



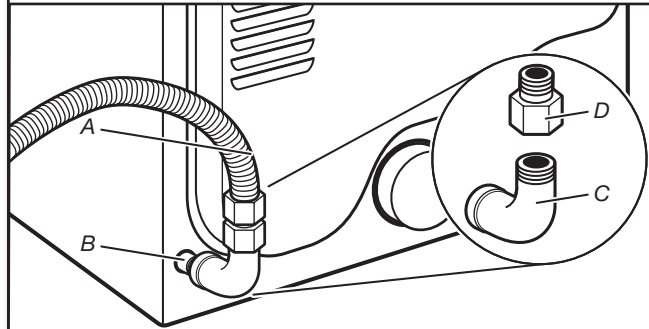
Accesorio macho no abocinado



Quite la tapa roja del tubo de gas. Utilizando una llave de tuercas para ajustar, conecte el suministro de gas a la secadora. Use compuesto para unión de tubos en las roscas de todos los accesorios macho no abocinados. Si se usa tubería flexible de metal, asegúrese de que no hayan partes retorcidas.

NOTA: Para las conexiones de gas propano, debe usar un compuesto para unión de tuberías resistente a la acción del gas propano. No utilice cinta TEFLON^{®†}.

2. Planifique la conexión del accesorio para la tubería



A. Conector flexible de gas de 3/8"

B. Tubo de la secadora de 3/8"

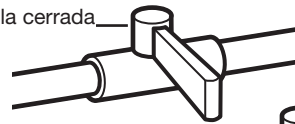
C. Codo para tubo de 3/8" a 3/8"

D. Accesorio adaptador abocinado para tubo de 3/8"

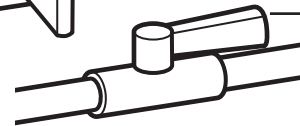
Se debe usar una combinación de accesorios para tuberías para conectar la secadora a la línea de suministro de gas existente. Se muestra una conexión recomendada. Su conexión puede ser distinta, de acuerdo con el tipo de línea de suministro, su tamaño y ubicación.

3. Abra la válvula de cierre

Válvula cerrada



Válvula abierta



Abra la válvula de cierre en la línea de suministro; la válvula está abierta cuando la manija está paralela al tubo de gas. Luego pruebe todas las conexiones aplicando con un cepillo una solución aprobada para detección de fugas que no sea corrosiva. Se observarán burbujas si hay fugas. Corrija todas las fugas que encuentre.

VENTILACIÓN

REQUISITOS DE VENTILACIÓN

⚠ ADVERTENCIA



Peligro de Incendio

Use un ducto de escape de metal pesado.

No use un ducto de escape de plástico.

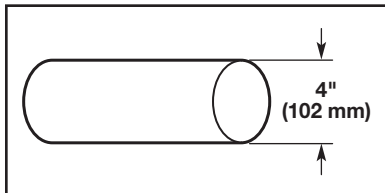
No use un ducto de escape de aluminio.

No seguir estas instrucciones puede ocasionar la muerte o incendio.

ADVERTENCIA: Para reducir el riesgo de incendio, esta secadora DEBE VENTILARSE HACIA EL EXTERIOR.

IMPORTANTE: Respete todos los códigos y las ordenanzas vigentes.

El ducto de escape de la secadora no debe conectarse a ningún ducto de gas, chimenea, pared, techo, desván, espacio angosto o el espacio oculto de un edificio. Deberá usarse solamente un ducto de metal rígido o flexible para la ventilación.



Ducto de escape de metal pesado de 4" (102 mm)

- Sólo puede usarse un ducto de escape de metal pesado de 4" (102 mm) y abrazaderas.
- No utilice un ducto de escape de plástico ni de aluminio.

Ducto de escape de metal rígido:

- Se recomienda para un mejor desempeño en el secado y para evitar que se aplaste o se tuerza.

Ducto de escape de metal flexible: (Es aceptable solo si es accesible para la limpieza)

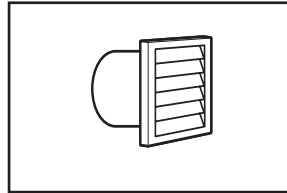
- Deberá extenderse por completo y tener soporte en la ubicación final de la secadora.
- Quite el exceso del mismo para evitar que se doble y se tuerza, lo cual podría dar lugar a una reducción del flujo de aire y a un rendimiento insuficiente.
- No instale un ducto de escape de metal flexible en paredes, techos o pisos encerrados.
- La longitud total no deberá exceder los 7³/₄ pies (2,4 m).
- El largo del ducto metálico flexible que se va a utilizar debe incluirse en el diseño completo del sistema de ventilación, como se muestra en los "Cuadros del sistema de ventilación".

NOTA: Si se usa un sistema de ventilación existente, limpie la pelusa de toda la longitud del sistema y asegúrese de que la capota de ventilación no esté obstruida con pelusa. Reemplace los ductos de escape de plástico o de hoja de metal por ductos de metal rígido o de metal flexible. Consulte "Cuadros del sistema de ventilación" y, si es necesario, modifique el sistema de ventilación existente para lograr el mejor desempeño de secado.

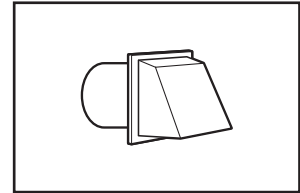
Capotas de ventilación:

- Deberán estar a por lo menos 12" (305 mm) desde el piso o cualquier objeto que pueda obstruir la salida (tales como flores, rocas, arbustos o nieve).

Estilos recomendados:

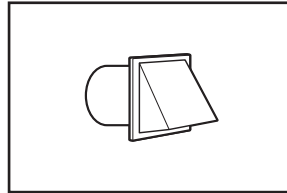


Capota tipo persiana



Capota tipo caja

Estilo aceptable:

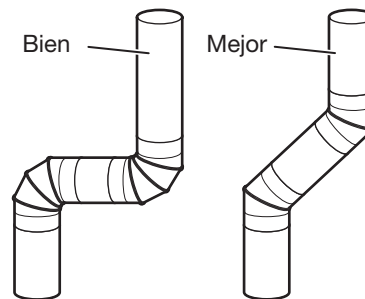


Capota angular

Codos:

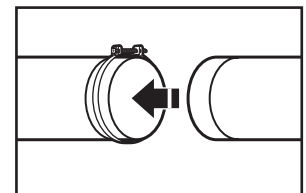
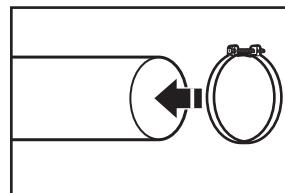
- Los codos de 45° proveen un mejor flujo de aire que los codos de 90°.

Estilos recomendados:



Abrazaderas:

- Utilice abrazaderas para sellar todas las juntas.
- No debe conectarse ni asegurarse el ducto de escape con tornillos ni con ningún otro dispositivo de sujeción que se extienda hacia el interior de dicho ducto y atrape pelusa. No utilice cinta para ductos.

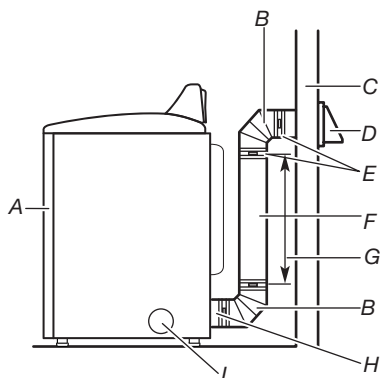


Los productos de ventilación se pueden comprar con su distribuidor. Para obtener más información, consulte la sección "Ayuda o servicio técnico" en la "Guía de referencia rápida".

PLANIFICACIÓN DEL SISTEMA DE VENTILACIÓN

Instalaciones recomendadas de ventilación:

Las instalaciones típicas tienen la ventilación de la secadora en la parte posterior de la misma. Otras instalaciones son posibles.



- A. Secadora
- B. Codo
- C. Pared
- D. Capota de ventilación
- E. Abrazaderas
- F. Ducto de escape de metal rígido o flexible
- G. Longitud necesaria del ducto de escape para conectar los codos
- H. Salida de escape
- I. Salida de escape lateral opcional

Instalaciones opcionales de escape:

⚠ ADVERTENCIA



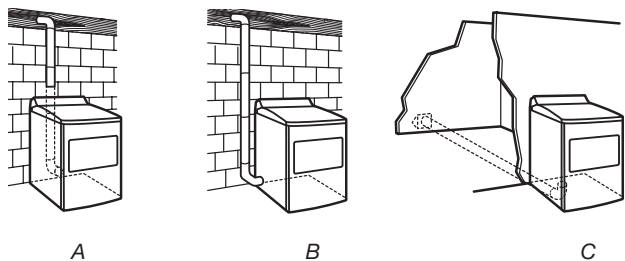
Peligro de Incendio

Cubra los orificios de escape no usados con un juego de cubierta para orificios de escape del fabricante.

Comuníquese con su distribuidor local.

No seguir estas instrucciones puede ocasionar la muerte, incendio, choque eléctrico, o lesiones graves.

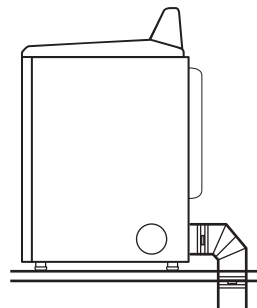
Si lo prefiere, la secadora puede convertirse para la ventilación por la parte inferior y los costados. Deberá ponerse en contacto con su distribuidor local para hacer convertir la secadora.



- A. Instalación estándar con ventilación por la parte posterior y conexión indirecta
- B. Instalación de ventilación lateral a la izquierda o a la derecha
- C. Instalación con ventilación por la parte inferior

Previsiones especiales para casas rodantes:

El ducto de escape deberá sujetarse firmemente en un lugar no inflamable de la casa rodante y no debe terminar debajo de la casa rodante. El ducto de escape debe terminar en el exterior.



Instalación del ducto de escape en casas rodantes

Determinación de la vía del ducto de escape:

- Seleccione la vía que proporcione el trayecto más recto y directo al exterior.
- Planifique la instalación a fin de usar el menor número posible de codos y vueltas.
- Cuando use codos o vueltas, deje todo el espacio que sea posible.
- Doble el ducto gradualmente para evitar torceduras.
- Use la menor cantidad posible de vueltas de 90°.

Determinación de la longitud del ducto de escape y el número de codos necesarios para obtener un óptimo rendimiento de secado:

- Use el cuadro del sistema de ventilación a continuación para determinar las combinaciones aceptables de tipo de material para ducto y capota a usar.

NOTA: No use tendidos de ducto de escape más largos que los especificados en el cuadro del sistema de ventilación. Los sistemas de ventilación más largos que los especificados:

- Acortarán la vida útil de la secadora.
- Reducirán el rendimiento, dando lugar a tiempos de secado más largos y un aumento en el consumo de energía.

Los cuadros del sistema de ventilación indican los requisitos de ventilación que le ayudarán a obtener el mejor rendimiento de secado.

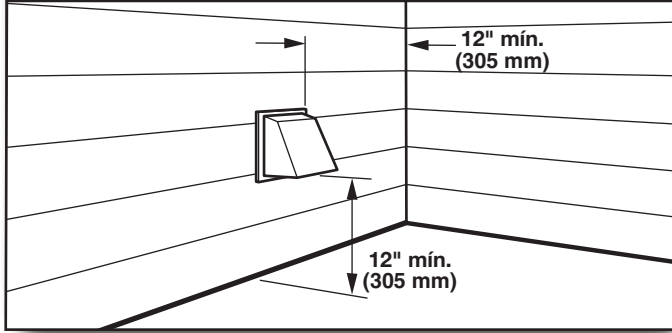
Cuadro del sistema de ventilación

Número de vueltas de 90° o codos	Tipo de ducto de escape	Capotas angulares
0	Metal rígido	64 pies (20 m)
1	Metal rígido	54 pies (16,5 m)
2	Metal rígido	44 pies (13,4 m)
3	Metal rígido	35 pies (10,7 m)
4	Metal rígido	27 pies (8,2 m)

NOTA: Las instalaciones de ventilación inferiores tienen una vuelta de 90° dentro de la secadora. Para determinar la longitud máxima de ventilación, agregue una vuelta de 90° a los cuadros.

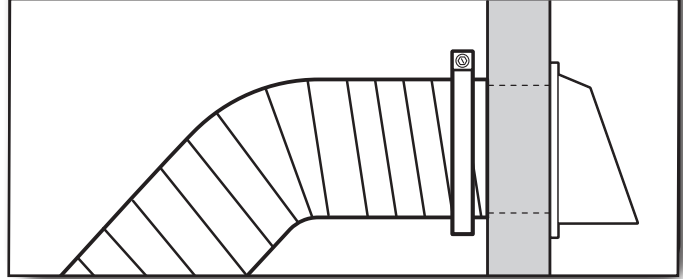
INSTALACIÓN DEL SISTEMA DE VENTILACIÓN

1. Instale la capota de ventilación



Instale la capota de ventilación y use compuesto para calafateo para sellar la abertura exterior de la pared alrededor de la capota de ventilación.

2. Conecte el ducto de escape a la capota de ventilación



El ducto de escape debe encajar sobre la capota de ventilación. Asegure el ducto de escape a la capota de ventilación con una abrazadera de 4" (102 mm). Extienda el ducto de escape a la ubicación de la secadora usando la trayectoria más recta que sea posible. Evite giros de 90°. Utilice abrazaderas para sellar todas las juntas. Para asegurar el ducto de escape, no use cinta para ductos, tornillos ni otros dispositivos de fijación que se extiendan hacia el interior de dicho ducto, ya que pueden atrapar pelusa.

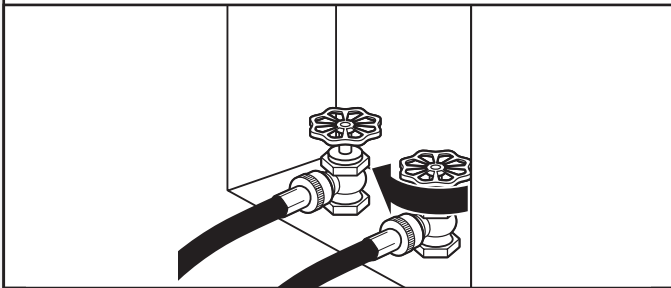
CONECTE LAS MANGUERAS DE ENTRADA

Para los modelos sin vapor, vaya a "Conexión del ducto de escape".

La secadora debe conectarse al grifo de agua fría usando las mangueras de entrada nuevas. No use mangueras viejas.

Fije la manguera de entrada de 2 pies (0,6 m) al grifo de agua fría. Atornille el acoplamiento con la mano hasta que quede asentado en el grifo. Luego sujete el conector en "Y" al extremo macho de la manguera de entrada de 2 pies (0,6 m). Atornille el acoplamiento con la mano hasta que quede asentado en el conector.

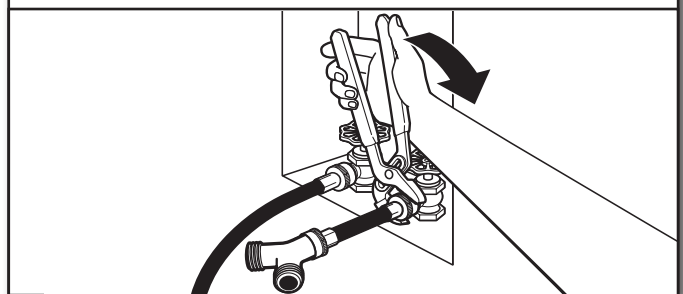
1. Cierre el grifo de agua fría, quite y reemplace la arandela de goma



Cierre el grifo de agua fría y quite la manguera de entrada de la lavadora.

Quite la arandela vieja de goma de la manguera de entrada y reemplácela por la arandela nueva de goma.

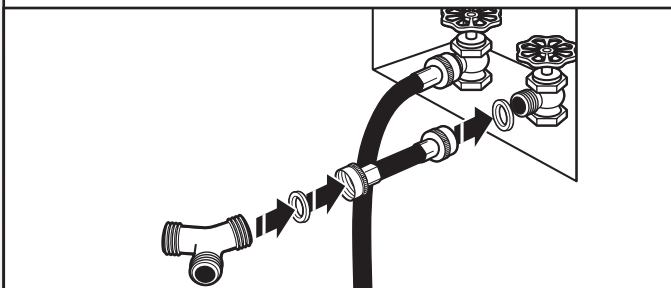
3. Apriete los acoplamientos



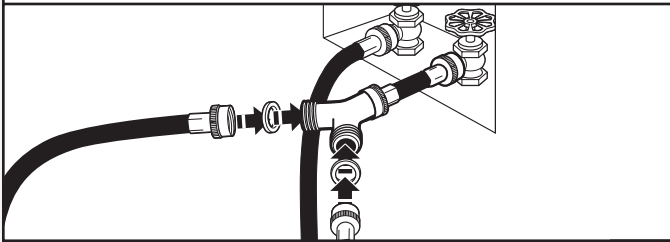
Con las pinzas, apriete los acoplamientos dos tercios de vuelta adicional.

NOTA: No apriete demasiado. Se puede dañar el acoplamiento.

2. Sujete la manguera corta y el conector en "Y".



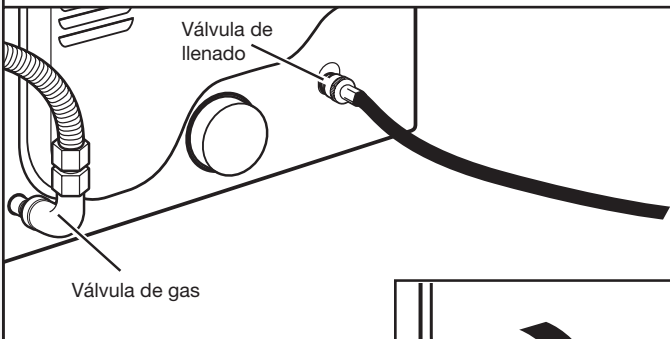
4. Sujete la manguera larga al conector en "Y" y apriete los acoplamientos



Fije los extremos de la manguera de entrada de 5 pies (1,5 m) de la secadora al conector en "Y". Fije la manguera de entrada de agua fría de la lavadora al otro lado del conector en "Y". Atornille el acoplamiento con la mano hasta que quede asentado en el conector. Con las pinzas, apriete los acoplamientos dos tercios de vuelta adicionales.

NOTA: No apriete demasiado. Se puede dañar el acoplamiento.

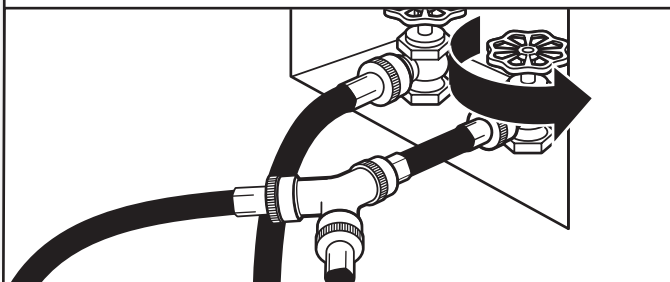
5. Sujete la manguera larga a la válvula de llenado de la secadora y apriete el acoplamiento



Sujete el otro extremo de la manguera larga a la válvula de llenado en la parte inferior del panel posterior de la secadora. Atornille el acoplamiento con la mano hasta que quede asentado en el conector de la válvula de llenado. Con las pinzas, apriete los acoplamientos dos tercios de vuelta adicionales.

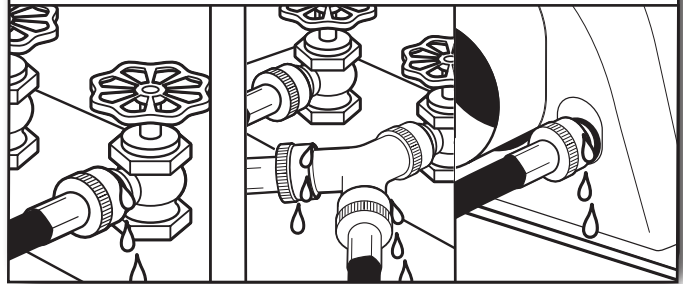
NOTA: No apriete demasiado. Se puede dañar el acoplamiento.

6. Abra el grifo del agua fría



Verifique que esté abierto el grifo de agua.

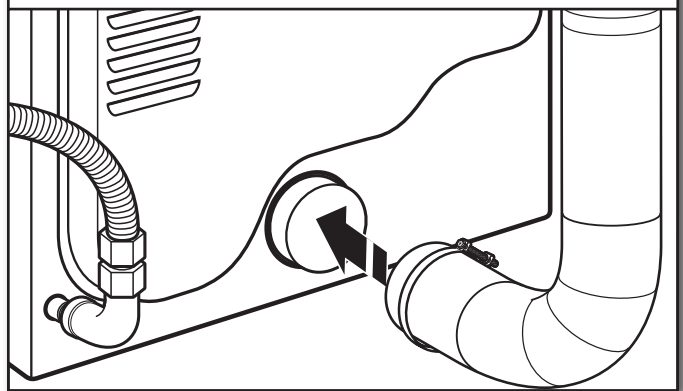
7. Revise si hay fugas



Revise si hay fugas alrededor del conector en "Y", de los grifos y de las mangueras.

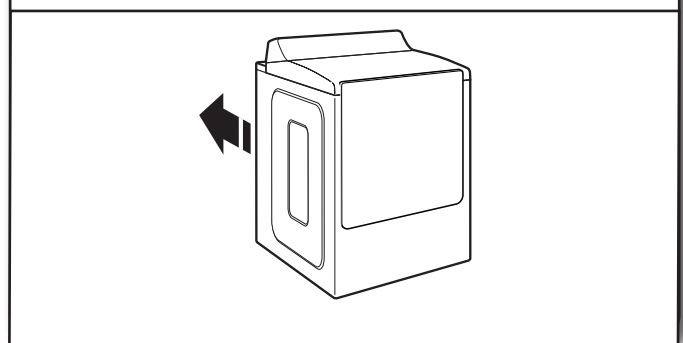
CONEXIÓN DEL DUCTO DE ESCAPE

1. Conecte el ducto de escape a la salida de escape



Usando una abrazadera de 4" (102 mm), conecte el ducto de escape a la salida de aire en la secadora. Si se conecta a un ducto de escape existente, asegúrese de que el mismo esté limpio. El ducto de escape de la secadora debe encajar sobre la salida de aire de la secadora y dentro de la capota de ventilación. Cerciérese de que el ducto de escape esté asegurado a la capota de ventilación con una abrazadera de 4" (102 mm).

2. Traslade la secadora hacia su ubicación final

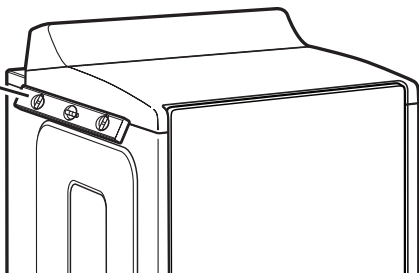


Traslade la secadora hacia su ubicación final. Evite aplastar o retorcer el ducto de escape.

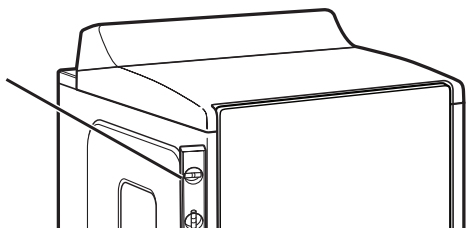
NIVELE LA SECADORA

1. Nivele la secadora

Coloque el nivel aquí

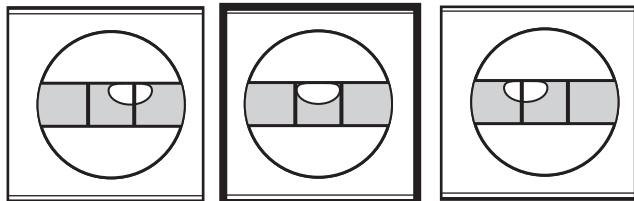


Coloque el nivel aquí



Revise la nivelación de la secadora de lado a lado. Repita el procedimiento de adelante hacia atrás.

NOTA: La secadora debe estar nivelada para que el sistema de detección de humedad funcione correctamente.

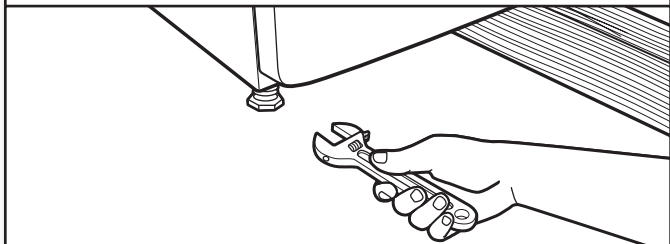


No nivelado

NIVELADO

No nivelado

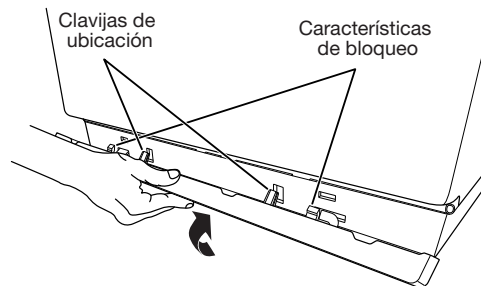
2. Regule las patas niveladoras



Si la secadora no está nivelada, apuntáela con un bloque de madera. Use una llave para regular las patas hacia arriba o hacia abajo y verifique nuevamente si la secadora está nivelada.

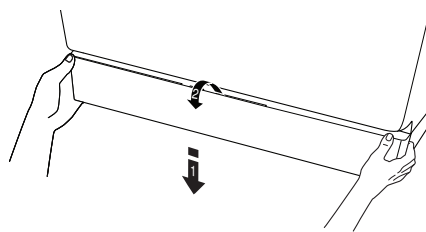
3. Contramarco (en algunos modelos)

Para instalar:



Coloque el contramarco en el fondo de la secadora y haga coincidir las clavijas de ubicación con los orificios. Presione con firmeza el contramarco hacia arriba hasta que quede colocado a presión en su lugar.

Para desinstalar:



En cada esquina. 1) Empuje hacia abajo la parte superior del contramarco. 2) Gírela en dirección opuesta a la secadora y quítela.

LISTA DE CONTROL DE LA INSTALACIÓN TERMINADA

- Verifique que todas las piezas estén ahora instaladas. Si sobra alguna pieza, vuelva a revisar todos los pasos para ver qué se omitió.
- Verifique que tenga todas las herramientas.
- Deseche o recicle todos los materiales de embalaje.
- Revise la ubicación final de la secadora. Asegúrese de que el ducto de escape no esté aplastado ni retorcido.
- Verifique que la secadora esté nivelada. Vea “Nivelación de la secadora”.
- Quite la película que está en la consola y cualquier cinta adhesiva que haya quedado en la secadora.
- Limpie el interior del tambor de la secadora meticulosamente con un paño húmedo para quitar residuos de polvo.
- Lea “Uso de la secadora” en la “Guía de referencia rápida”.

Modelos eléctricos:

- Para una instalación con cable de suministro eléctrico, enchufe en un tomacorriente con conexión a tierra. Para una instalación con cableado directo, encienda el suministro eléctrico.

Modelos a gas:

- Verifique que el suministro de gas esté abierto.
- Revise si hay fugas.

Solo para los modelos con vapor:

- Verifique que los grifos de agua estén abiertos.
- Revise si hay fugas alrededor del conector en "Y", del grifo y de las mangueras.
- Si vive en una zona donde hay agua dura, se recomienda usar ablandador de agua para controlar la acumulación de sarro en el sistema de agua en la secadora. Conforme pasa el tiempo, la acumulación de depósitos calcáreos puede obstruir diferentes partes del sistema de agua, lo cual reducirá el rendimiento del producto. La acumulación excesiva de sarro puede ocasionar la necesidad de reemplazar o reparar ciertas piezas.

Todos los modelos:

- Seleccione un ciclo de Timed Dry (Secado programado) con calor y ponga la secadora en marcha. No seleccione el ajuste de temperatura de Air Only (Solo aire).

Si la secadora no funciona, revise lo siguiente:

- Que los controles estén fijados en una posición de funcionamiento u "ON" (Encendido).

- Que se haya presionado con firmeza el botón de Inicio (Start).
- Que la secadora esté enchufada en un tomacorriente y/o el suministro eléctrico esté conectado.
- Que el fusible de la casa esté intacto y ajustado, o que no se haya disparado el disyuntor.
- Que la puerta de la secadora esté cerrada.

Esta secadora hace funcionar automáticamente una rutina de diagnóstico de instalación al comienzo del primer ciclo.

Si el calentador de la secadora no se enciende, es posible que tenga un problema de suministro eléctrico en su hogar. Recibirá un código L2 para este problema. Consulte "Solución de problemas".

Si en la pantalla Airflow (Flujo de aire) aparece el mensaje "Check vent" (Revisar ducto de ventilación), el ducto de escape de la secadora puede estar presado o bloqueado. Consulte "Solución de problemas".

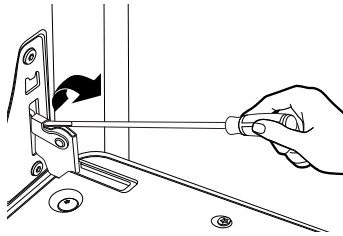
NOTA: Podrá notar un olor cuando la secadora se calienta por primera vez. Este olor es común cuando se usa por primera vez el elemento calefactor. El olor desaparecerá.

PUERTA DE LA SECADORA (EN ALGUNOS MODELOS)

Para el uso normal de la secadora, se sugiere no retirar la puerta. Sin embargo, si es necesario quitarla, asegúrese de que la secadora esté apagada y fría. Después, siga estas instrucciones. La puerta de la secadora es pesada.

Para desinstalar:

1. Abra por completo la puerta de la secadora.
2. Use un destornillador de cabeza plana para abrir la traba de la bisagra.



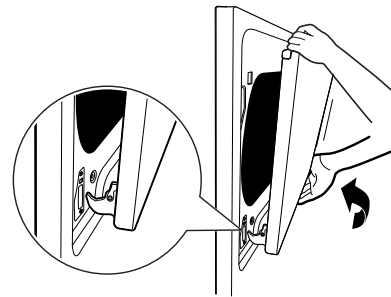
3. Pellizque la traba de la bisagra con 2 dedos y tire hacia adelante. Repita en el otro lado de la puerta de la secadora.
4. Cierre la puerta de la secadora tanto como sea posible.
5. Levante la puerta de la secadora sosteniéndola de ambos lados.

Continúe empujando la puerta de la secadora para cerrarla y sáquela del marco.

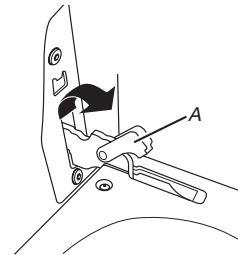


Para colocarla:

1. Inserte los dos brazos de suspensión en el panel frontal.



2. Abra la puerta de la secadora. Debería escuchar un chasquido cuando la puerta queda en su lugar.
3. Mueva las palancas de la bisagra nuevamente a la posición trabada. Verifique que la puerta pueda abrirse y cerrarse bien. De lo contrario, repita los procedimientos para retirar e

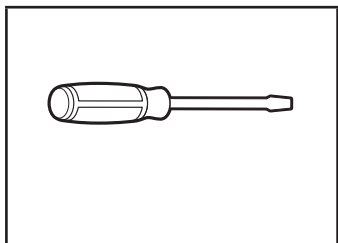


instalar la puerta.

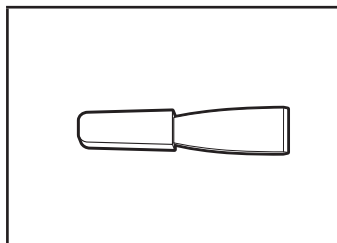
INVERSIÓN DE LA PUERTA (EN ALGUNOS MODELOS)

Las siguientes instrucciones son para los modelos con puertas de apertura lateral.

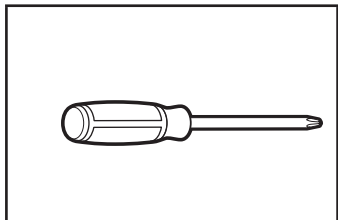
Herramientas necesarias:



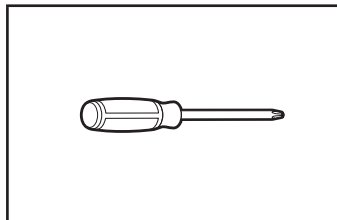
Destornillador de cabeza plana



Cuchillo plástico para masilla



Destornillador TORX T20® de 8" de largo como mínimo



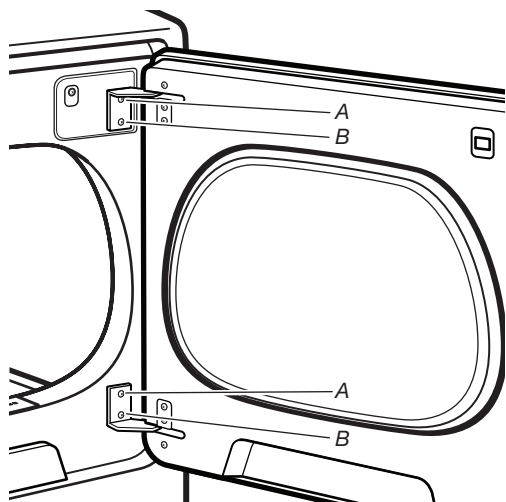
Destornillador Phillips N° 2

Usted puede invertir el cierre de la puerta de la abertura hacia la derecha a la abertura hacia la izquierda, si lo desea.

1. Coloque una toalla o un paño suave en la parte superior de la secadora o de la superficie de trabajo, para evitar dañar la superficie.

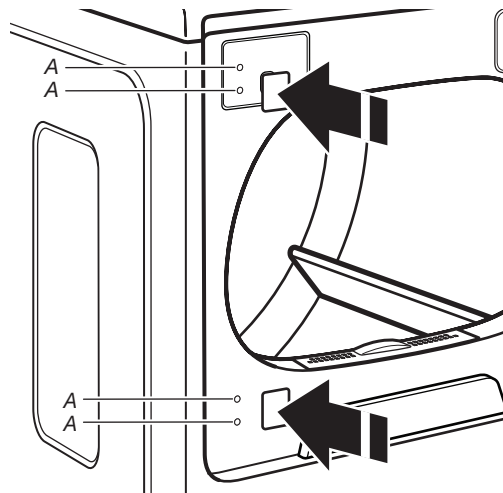
Quite la puerta del gabinete de la secadora:

1. Abra la puerta de la secadora.
2. Use un destornillador T20® para quitar los tornillos (A) y luego los tornillos (B) de cada una de las dos bisagras que unen la puerta de la secadora al panel frontal de la secadora. Coloque los tornillos de las bisagras a un lado para cuando vuelva a instalar la puerta.



3. Para quitar la puerta de la secadora, levántela y retírela hacia afuera del gabinete. Coloque la puerta sobre una superficie plana y cubierta, con el lado interior de la puerta mirando hacia arriba.

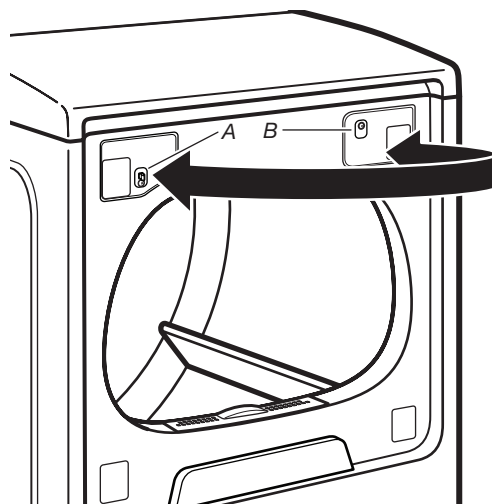
4. Quite los 2 tapones de plástico (A) ubicados fuera de la abertura de la puerta de la secadora.



5. Instale los 2 tapones de plástico (A) en los orificios de los tornillos en los que se quitaron las bisagras en el Paso 4.

Cómo invertir el tope:

1. Quite el tope de la puerta (A) de la abertura de la puerta de la secadora.
2. Quite el tornillo de adorno (B) (en algunos modelos) del lado opuesto del tope de la puerta (A).



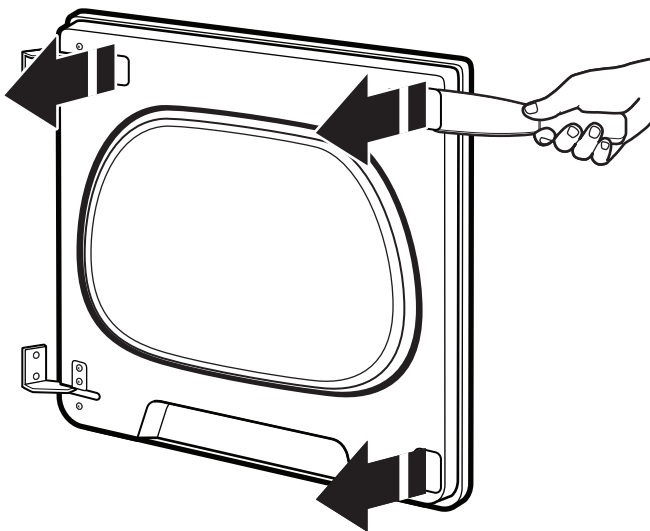
A. Tope de la puerta
B. Tornillo de adorno (en algunos modelos)

3. Vuelva a instalar el tope de la puerta y el tornillo de adorno (en algunos modelos) en el lado opuesto de la abertura de la puerta de la secadora de donde se quitaron.

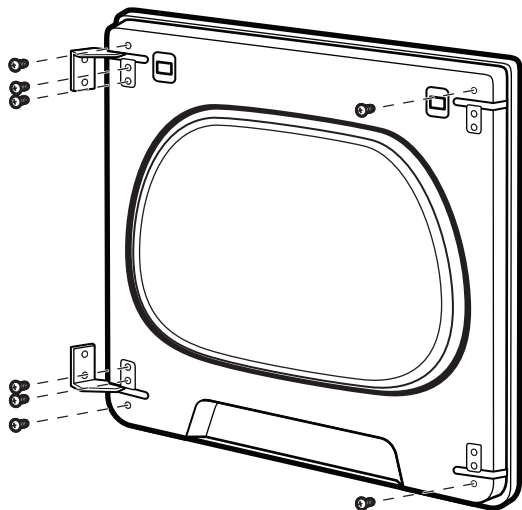
NOTA: El tope de la puerta y los tapones deben estar del mismo lado de la abertura de la puerta de la secadora.

Quite el ensamblaje de la puerta:

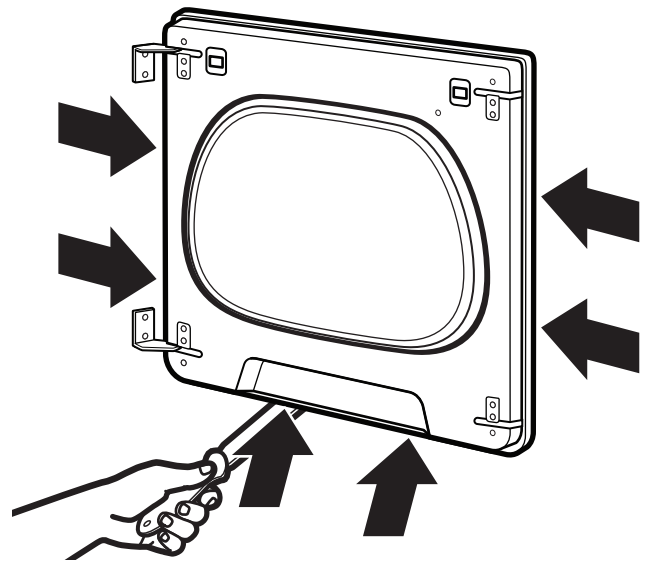
1. Coloque la puerta sobre una superficie plana y cubierta, con el lado interior de la puerta mirando hacia arriba. Quite los 3 tapones con un cuchillo de plástico para masilla. Hay un recorte donde se puede introducir el cuchillo para masilla a fin de hacer presión.



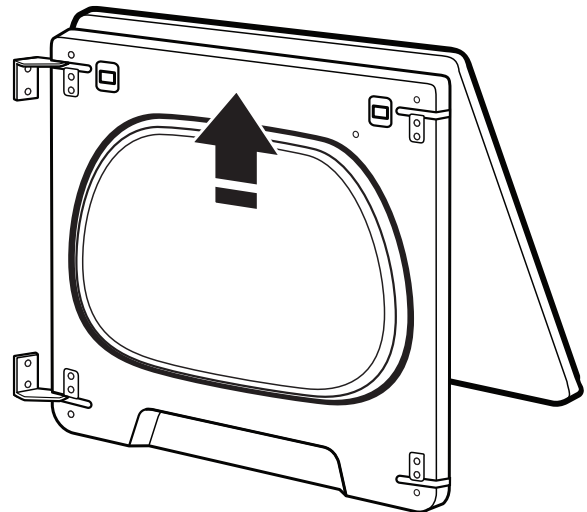
2. Quite de la puerta de la secadora los 8 tornillos y los tornillos fijos. Colóquelos a un lado.



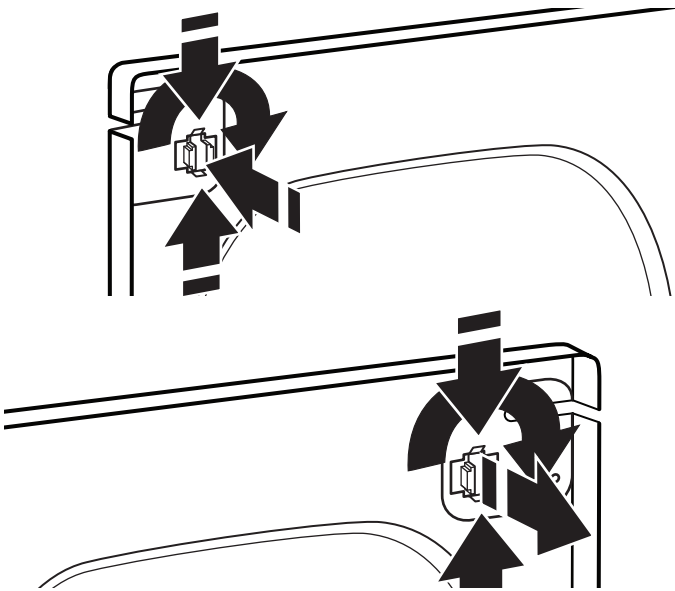
3. Para quitar la puerta interna, use un cuchillo de plástico para masilla y separe los lados y la parte inferior de la puerta y el borde de la secadora. Hay 2 broches a presión en los lados izquierdo y derecho, y en la parte inferior de la puerta. Inserte el cuchillo para masilla junto a los broches a presión.



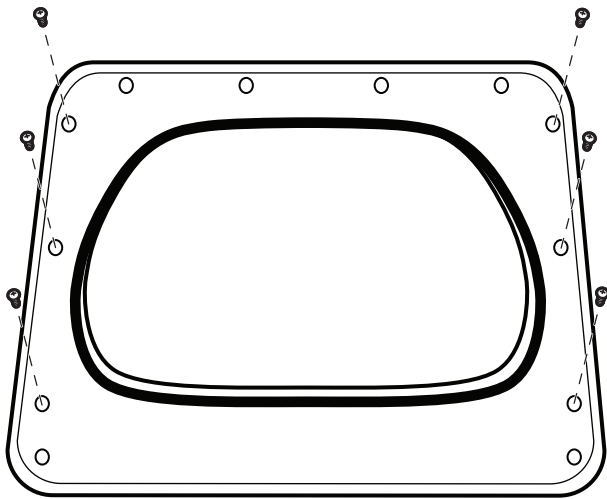
4. Cuando la puerta está separada del marco, use un cuchillo para masilla para elevarla en la lengüeta central y luego tirar de la puerta hacia usted y hacia afuera.



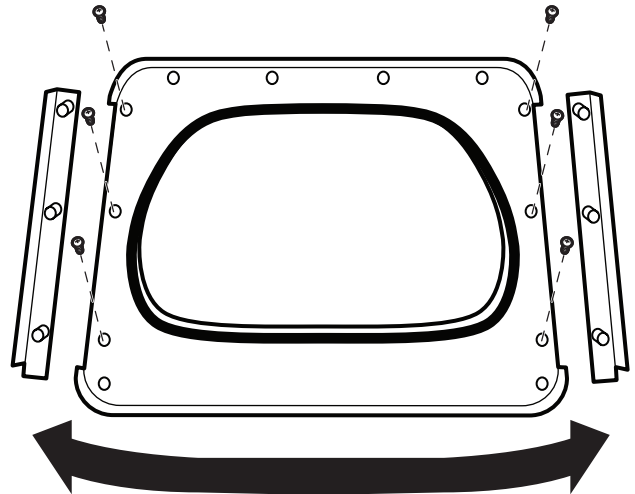
5. Quite el tapón del tope de la puerta con un destornillador de cabeza plana. Para quitar el tope de la puerta, pellizque los sujetadores del panel interno de la puerta y luego gire y empuje hacia afuera el lado delantero. Para insertar el tapón de la puerta, ubicado del otro lado de la puerta de la secadora, empujelo hacia adentro y luego agregue el tapón de tope de la puerta.



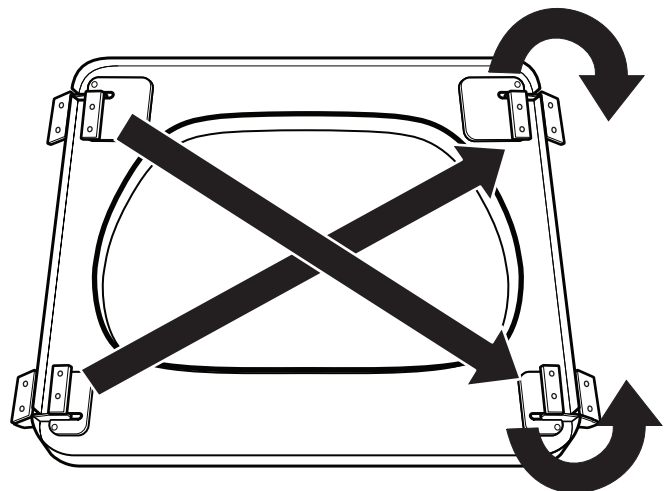
6. Retire las bisagras de la puerta y colóquelas a un lado.
7. Quite los 3 tornillos en los lados inferior izquierdo y derecho de la puerta para retirar las piezas del borde externo.



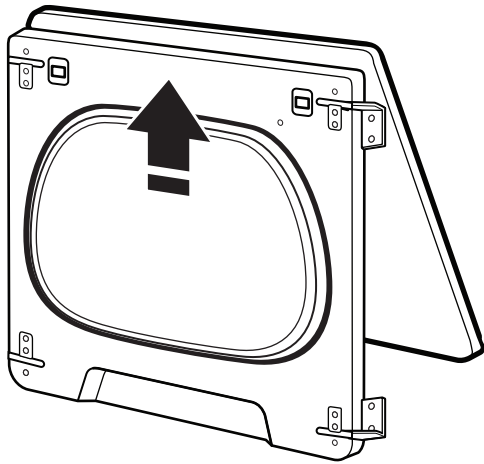
8. Levante la puerta y gire las piezas del borde al lado opuesto del que se quitaron. A continuación, vuelva a atornillar las piezas del borde.



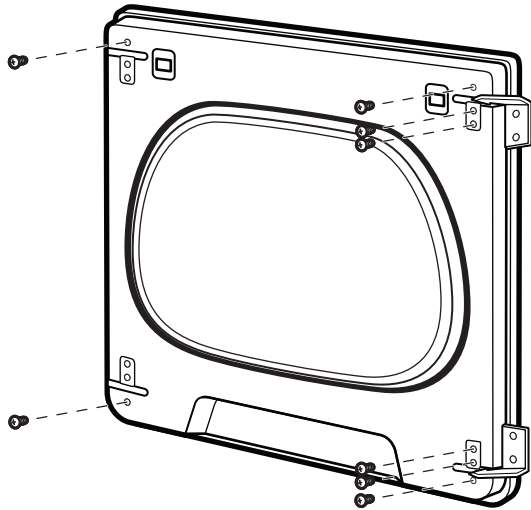
9. Coloque las bisagras en el lado derecho de la puerta y, a continuación, invierta la bisagra etiquetada con el número 1 al lado inferior derecho y la etiquetada con el número 2 al lado superior derecho de la puerta.



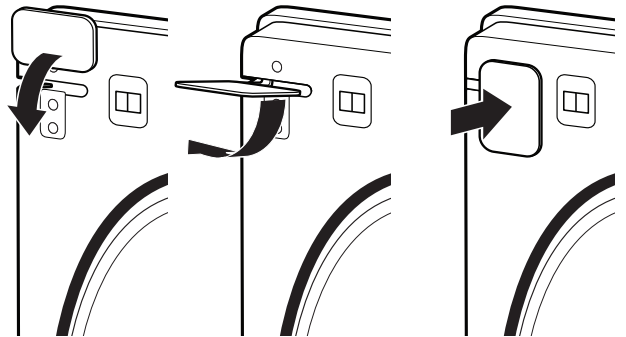
10. Vuelva a colocar la parte posterior del panel interno en la puerta de la secadora. Para hacerlo, deslice la parte superior en la pieza del borde superior y luego haga descender la puerta. A continuación, presione hacia abajo las esquinas para colocarlas a presión en las bisagras alineadas con los orificios de bisagra.



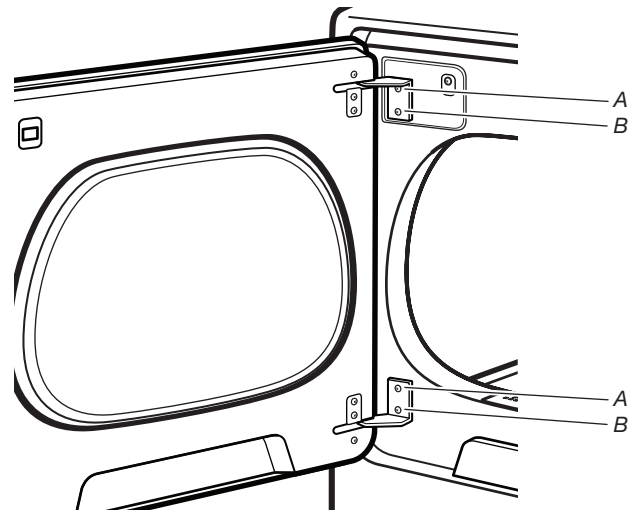
11. Instale 6 tornillos de bisagra y los otros 2 tornillos.



12. Instale las cubiertas y los tapones de las bisagras. Las cubiertas de las bisagras deben introducirse de costado para luego girarse a 90° y colocarse a presión en su lugar.



13. Para colgar la puerta, coloque un pasador de ajuste en el orificio del gabinete de la secadora y deslice la puerta hacia abajo. Con un destornillador T20®, instale tornillos (A) y luego tornillos (B). Apriete todos los tornillos de las bisagras.



CUIDADO DE LA SECADORA

LIMPIEZA DEL LUGAR DONDE ESTÁ LA SECADORA

Mantenga el área donde está la secadora despejada y libre de artículos que puedan obstruir el flujo de aire para el funcionamiento adecuado de la secadora. Esto incluye retirar las pilas de ropa que haya delante de la secadora.

⚠ ADVERTENCIA



Peligro de Explosión

Mantenga los materiales y vapores inflamables, como la gasolina, lejos de la secadora.

Coloque la secadora a un mínimo de 460 mm sobre el piso para la instalación en un garaje.

No seguir estas instrucciones puede ocasionar la muerte, explosión o incendio.

LIMPIEZA DEL INTERIOR DE LA SECADORA

Para limpiar el tambor de la secadora

1. Use un detergente suave para lavar vajilla a mano mezclado a una concentración baja con agua muy tibia y frote con un paño suave.
2. Enjuague bien con una esponja o una toalla húmeda.
3. Haga rotar una carga de ropa limpia o toallas para secar el tambor.

O

Use un paño de microfibra y agua caliente en una botella de rociado para limpiar el tambor y otro paño de microfibra para secarlo.

NOTA: Las prendas de colores que destiñen, los pantalones de jean o los artículos de algodón de colores vivos pueden teñir el interior de la secadora. Estas manchas no dañan la secadora ni mancharán las cargas futuras de ropa. Seque los artículos de colores que destiñen del revés para evitar la transferencia del tinte.

CÓMO QUITAR LA PELUSA ACUMULADA

En el interior del gabinete de la secadora

Según el uso de la secadora, se debe quitar la pelusa cada 2 años o con más frecuencia. La limpieza debe estar a cargo de personal de servicio para electrodomésticos competente o de un limpiador de sistemas de ventilación.

En el ducto de escape

Según el uso de la secadora, se debe quitar la pelusa cada 2 años o con más frecuencia.

LIMPIEZA DEL FILTRO DE PELUSA

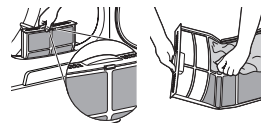
Limpieza en cada carga

El filtro de pelusa está en la abertura de la puerta de la secadora. Un filtro obstruido con pelusa puede aumentar el tiempo de secado.

Para limpiarlo:

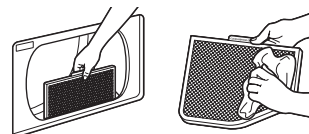
Estilo 1

1. Jale el filtro de pelusa directamente hacia arriba para extraerlo. Presione la lengüeta del frente para abrir el filtro de pelusa. Quite la pelusa enrollándola con los dedos. No enjuague ni lave el filtro para quitar la pelusa. La pelusa mojada es difícil de sacar.



Estilo 2

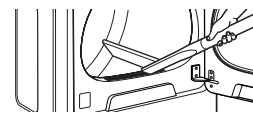
1. Jale el filtro de pelusa fuera del receptáculo. Quite la pelusa enrollándola con los dedos. No enjuague ni lave el filtro para quitar la pelusa. La pelusa mojada es difícil de sacar.



2. Empuje el filtro de pelusa con firmeza nuevamente en su lugar.

IMPORTANTE:

- No ponga a funcionar la secadora con el filtro de pelusa flojo, dañado, obstruido o sin él. Eso puede causar sobrecalentamiento y dañar tanto la secadora como las prendas.
- Si al quitar la pelusa del filtro ésta cae dentro de la secadora, revise la capota de ventilación y quite la pelusa. Consulte "Requisitos de ventilación" en las Instrucciones de instalación.
- Limpie el espacio donde se encuentra el filtro de pelusa según sea necesario. Use una aspiradora para retirar con suavidad toda la pelusa que se haya acumulado fuera del filtro de pelusa.



Limpieza según la necesidad:

Los residuos de detergente y suavizante de telas pueden acumularse en el filtro de pelusa. Esta acumulación puede dar lugar a que se prolongue el tiempo de secado de la ropa, o a que la secadora se detenga antes de que la ropa esté completamente seca. El filtro probablemente esté obstruido si cae pelusa del filtro mientras está dentro de la secadora.

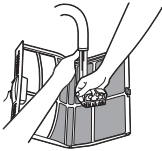
Limpie el filtro de pelusa con un cepillo de nylon cada 6 meses, o con más frecuencia, si se obstruye debido a la acumulación de residuos.

LIMPIEZA DEL FILTRO DE PELUSA (CONT.)

Para lavar:

1. Quite la pelusa enrollándola con los dedos.
2. Moje ambos lados del filtro de pelusa con agua caliente.
3. Moje un cepillo de nylon con agua caliente y detergente líquido. Frote el filtro de pelusa con el cepillo para quitar la acumulación de residuos.

Estilo 1



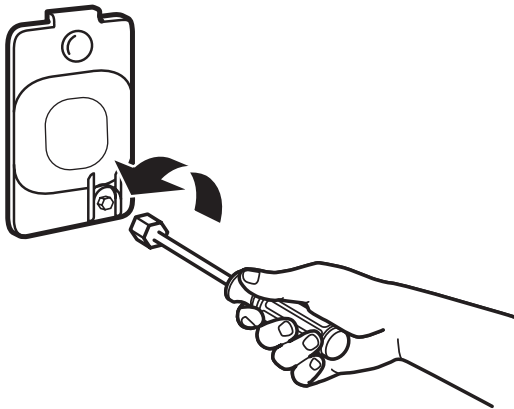
Estilo 2



4. Enjuague el filtro con agua caliente.
5. Seque minuciosamente el filtro de pelusa con una toalla limpia. Vuelva a colocar el filtro en la secadora.

CAMBIO DE LA LUZ DEL TAMBOR (EN ALGUNOS MODELOS)

1. Desenchufe la secadora o desconecte el suministro eléctrico.
2. Abra la puerta de la secadora. Localice la cubierta del foco de luz en la pared posterior de la secadora. Con una llave de tuercas o llave de tubo hexagonal de 1/4" (6 mm), retire el tornillo ubicado en la esquina inferior derecha de la cubierta. Quite la cubierta.



3. Gire el foco en sentido contrario a las manecillas del reloj. Reemplácelo únicamente por un foco para electrodomésticos de 10 W. Vuelva a colocar la cubierta y asegúrela con un tornillo.
4. Enchufe en un contacto de conexión a tierra o reconecte el suministro eléctrico.

REVISE QUE EL SISTEMA DE VENTILACIÓN TENGA UN BUEN FLUJO DE AIRE

⚠ ADVERTENCIA



Peligro de Incendio

Use un ducto de escape de metal pesado.

No use un ducto de escape de plástico.

No use un ducto de escape de aluminio.

No seguir estas instrucciones puede ocasionar la muerte o incendio.

BUEN FLUJO DE AIRE

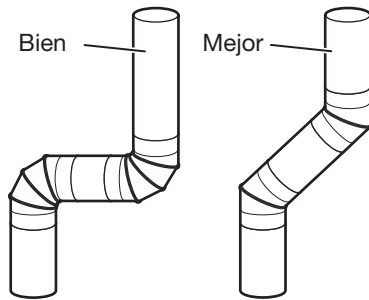
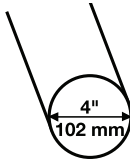
Además de calor, las secadoras también necesitan un buen flujo de aire para secar las prendas de manera eficiente. La ventilación adecuada reducirá la duración del secado y mejorará su ahorro de energía. Consulte las Instrucciones de instalación.

El sistema de ventilación conectado a la secadora desempeña una función muy importante para el flujo de aire adecuado. Los ductos de ventilación bloqueados o aplastados, así como una instalación con ventilación inadecuada, disminuirán el flujo de aire y el rendimiento de la secadora.

Las visitas de servicio debidas a la ventilación inadecuada no están cubiertas por la garantía y correrán por cuenta del cliente, sin importar quién haya instalado la secadora. Para limpiar o reparar la ventilación, comuníquese con un especialista en ventilación.

PARA MANTENER UN BUEN FLUJO DE AIRE, HAGA LO SIGUIENTE:

- Limpiar el filtro de pelusa antes de cada carga.
- Reemplazar el material del ducto de plástico u hoja de metal con uno de metal pesado rígido de 4" (102 mm) de diámetro.
- Usar un ducto con la longitud más corta posible.
- No utilice más de cuatro codos de 90° en un sistema de ventilación; cada ángulo y curva reduce el flujo de aire.



- Quitar la pelusa y los desechos de la capota de ventilación.
- Quitar la pelusa de toda la longitud del sistema de ventilación al menos cada 2 años. Cuando se haya terminado la limpieza, revise por última vez el producto asegurándose de seguir las Instrucciones de instalación que acompañan a su secadora.
- Retirar los artículos que estén frente a la secadora.

CUIDADO DURANTE PERÍODOS SIN USO, ALMACENAMIENTO Y MUDANZAS

Solo para los modelos con vapor: Instale y guarde la secadora en un lugar donde no se congele. Debido a que puede quedar un poco de agua en la manguera, el congelamiento puede dañar la secadora. Si va a guardar o trasladar la secadora durante una temporada de invierno riguroso, acondiciónela para el invierno.

Cuidado durante la falta de uso o el almacenamiento

Ponga la secadora a funcionar solo cuando esté en casa. Si va a salir de vacaciones o no va a usar la secadora por un tiempo prolongado, debe hacer lo siguiente:

1. Desenchufe la secadora o desconecte el suministro eléctrico.
2. Limpie el filtro de pelusa. Vea "Limpieza del filtro de pelusa".
3. Interrumpa el suministro de agua a la secadora. Esto ayuda a evitar inundaciones accidentales (debido a aumentos en la presión del agua) en su ausencia.

Cuidados en caso de mudanza

Para las secadoras conectadas con cable de suministro eléctrico:

1. Desenchufe el cable de suministro eléctrico.
2. Solo los modelos a gas: Cierre la válvula de cierre en la línea de suministro de gas.
3. Solo los modelos a gas: Desconecte el tubo de la línea de suministro de gas y quite los accesorios sujetos al tubo de la secadora.
4. Solo los modelos a gas: Coloque una tapa en la línea abierta del suministro de combustible.
5. Solo para los modelos con vapor: Cierre el grifo de agua.
6. Solo para los modelos con vapor: Desconecte la manguera de entrada de agua del grifo y elimine el agua de la manguera. Transporte la manguera en forma separada.
7. Asegúrese de que las patas niveladoras estén fijadas en la base de la secadora.
8. Use cinta adhesiva para asegurar la puerta de la secadora.
9. En modelos con contramarco: Quite el contramarco antes de mover la secadora. Consulte "Contramarco".

⚠ ADVERTENCIA



Peligro de Choque Eléctrico

Desconecte el suministro de energía antes de darle mantenimiento.

Vuelva a colocar todos los componentes y paneles antes de hacerlo funcionar.

No seguir estas instrucciones puede ocasionar la muerte o choque eléctrico.

Para secadoras con cable directo:

1. Desconecte el suministro eléctrico.
2. Desconecte el cableado de la secadora y asegure los extremos de los cables.
3. Solo para los modelos con vapor: Cierre el grifo de agua.
4. Solo para los modelos con vapor: Desconecte la manguera de entrada de agua del grifo y elimine el agua de la manguera. Transporte la manguera en forma separada.
5. Asegúrese de que las patas niveladoras estén fijas en la base de la secadora.
6. Use cinta adhesiva para asegurar la puerta de la secadora.
7. En modelos con contramarco: Quite el contramarco antes de mover la secadora. Consulte "Contramarco".

Cómo volver a instalar la secadora

Siga las Instrucciones de instalación para ubicar, nivelar y conectar la secadora.

INSTRUCCIONES ESPECIALES PARA MODELOS CON VAPOR

Manguera de entrada de agua

Reemplace la manguera de entrada y el filtro de la manguera después de 5 años de uso para reducir el riesgo de que fallen. Inspeccione periódicamente y cambie la manguera de entrada si encuentra protuberancias, torceduras, cortes, desgaste o pérdidas de agua.

Cuando reemplace la manguera de entrada, anote la fecha de reposición.

Para acondicionar la secadora para el invierno

1. Desenchufe la secadora o desconecte el suministro eléctrico.
2. Cierre el grifo de agua.
3. Desconecte la manguera de entrada de agua del grifo y elimine el agua.

Para usar nuevamente la secadora

1. Deje correr agua por las tuberías. Vuelva a conectar la manguera de entrada del agua al grifo. Abra el grifo del agua.
2. Enchufe la secadora o vuelva a conectar la electricidad como se describe en las Instrucciones de instalación.

NOTAS

