

KG30X

30" WALL MOUNT - GLASS FRONT HOOD



Complete your Bertazzoni kitchen with this modern and powerful range hood.

Choose among 3 extraction airflow speed with booster function, reaching a maximum flow performance of 600 CFM (cubic feet per minute).

Reduce airflow down to 300 CFMs with the digital flow-through restrictor.

Easily control all the hood functions with ease using the touch-through-glass user interface.

Enjoy powerful illumination of the cooking surface with the long lasting and bright LED lights which also don't create additional heat and are energy efficient.

Filter out odors and grease with the stainless steel mesh filters which can be easily cleaned periodically in the dishwasher or by hand.

This hood includes a telescopic duct cover reaching up to 9' high ceilings. Use the optional extension 901562 for taller ceilings.

The hood comes standard for venting outside the kitchen but, can be easily modified for recirculation by installing the optional charcoal filter kit.

Designed with pride by Bertazzoni in Italy.

Industry leading 2 years parts and labor warranty.

PRODUCT FEATURES

| | |
|-------------------|-------------------------------------|
| Size | 30" |
| Hood type | Wall mount |
| Hood finish | Black glass + stainless steel frame |
| Motor | 1 |
| Speed | 3 + Booster |
| Hood control | Touch |
| Lights | 2 LED |
| Filters type | Stainless steel mesh |
| Extraction power | 600 CFM |
| Sound Level (min) | 42 db(A) |
| Recirculation | Yes |
| Duct cover | Included |
| Duct size | 6" diameter |

TECHNICAL SPECIFICATIONS

| | |
|---------------------------------|--|
| Electrical supply | 120 V 60 HZ - 422.2 W 3.5 Amp |
| Power connection | Hardwired |
| Certification | UL |
| Warranty | 2 years parts & labor |
| Packaging dimensions and weight | W 38 1/2" H 23 1/32" D 22 1/16" 52.91 lbs |

OPTIONAL ACCESSORIES

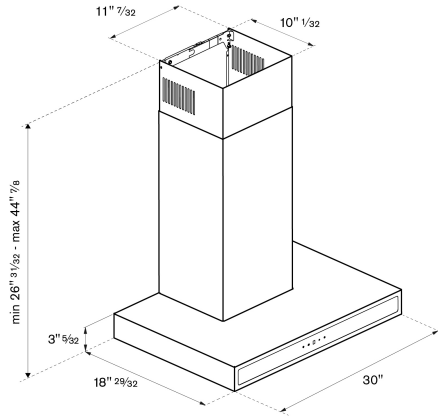
| | |
|--------|-----------------------------------|
| 901486 | Charcoal filters |
| 901562 | Duct Cover Installation up to 10' |
| 901271 | Recirculation Kit |

KG30X

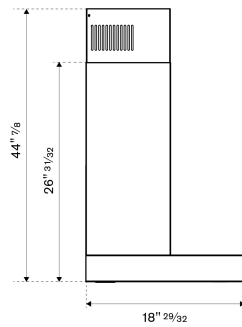
30" WALL MOUNT - GLASS FRONT HOOD



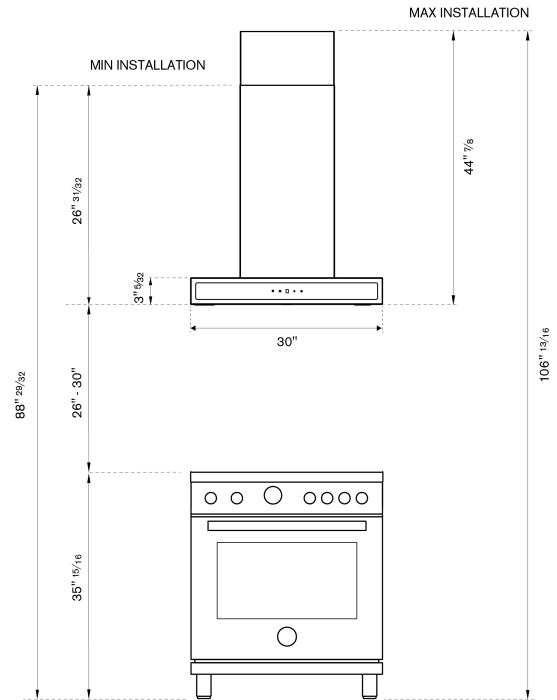
PRODUCT DIMENSIONS



SIDE VIEW



PRODUCT INSTALLATION



Hood Clearance

Recommended height above cooking surface:
min 26" for electric worktop
min 30" for gas worktop