

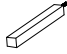
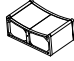
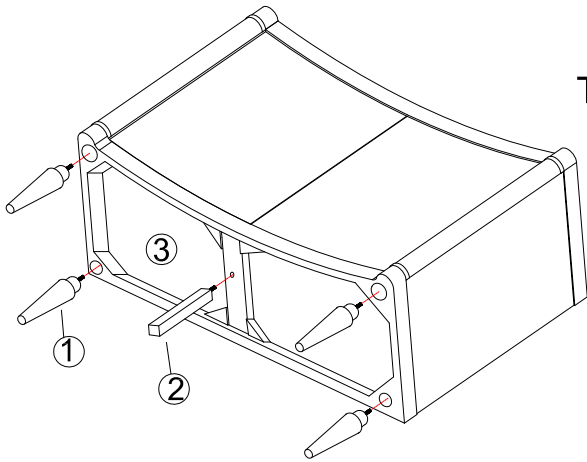


Thank you for purchasing this quality product. Be sure to unpack carefully looking for small parts which may have come loose during shipment.

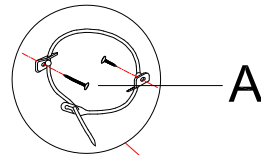
Read all instruction and study the drawing carefully before starting the assembly process.

HARDWARE PACK				
NO.	DRAWING	DESCRIPTION	SIZE	Q'TY
A		Anti - Tip Kit		1 PC

PARTS LIST			
NO.	DRAWING	DESCRIPTION	Q'TY
1		Acrylic Leg	4 PCS
2		Center Leg	1 PC
3		Case Body	1 PC



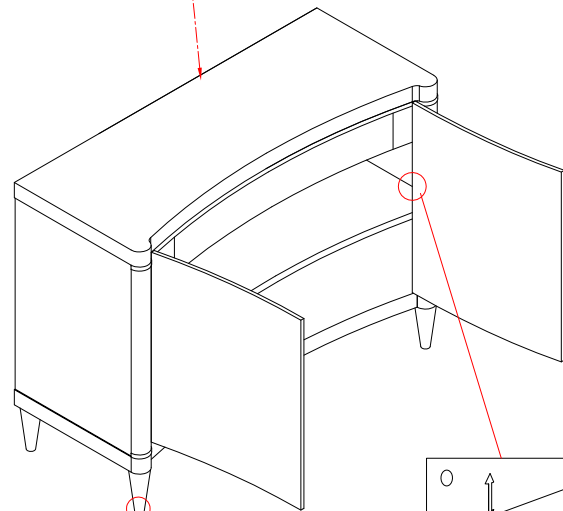
Tipping Restraint



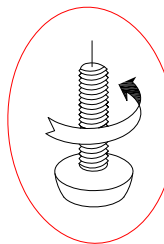
Anti-tip kit is included for use. We recommend installing for safety reason.

Install the acrylic legs (1) & center leg (2) in clockwise direction into the bottom of the case (3).

Remove them by the reverse way.



Adjust leveler if needed to level the chest on uneven floor.



The adjustable shelf is screwed in place to avoid damage during transit. To adjust the shelf height, remove screws then place shelf pins in the desired level.