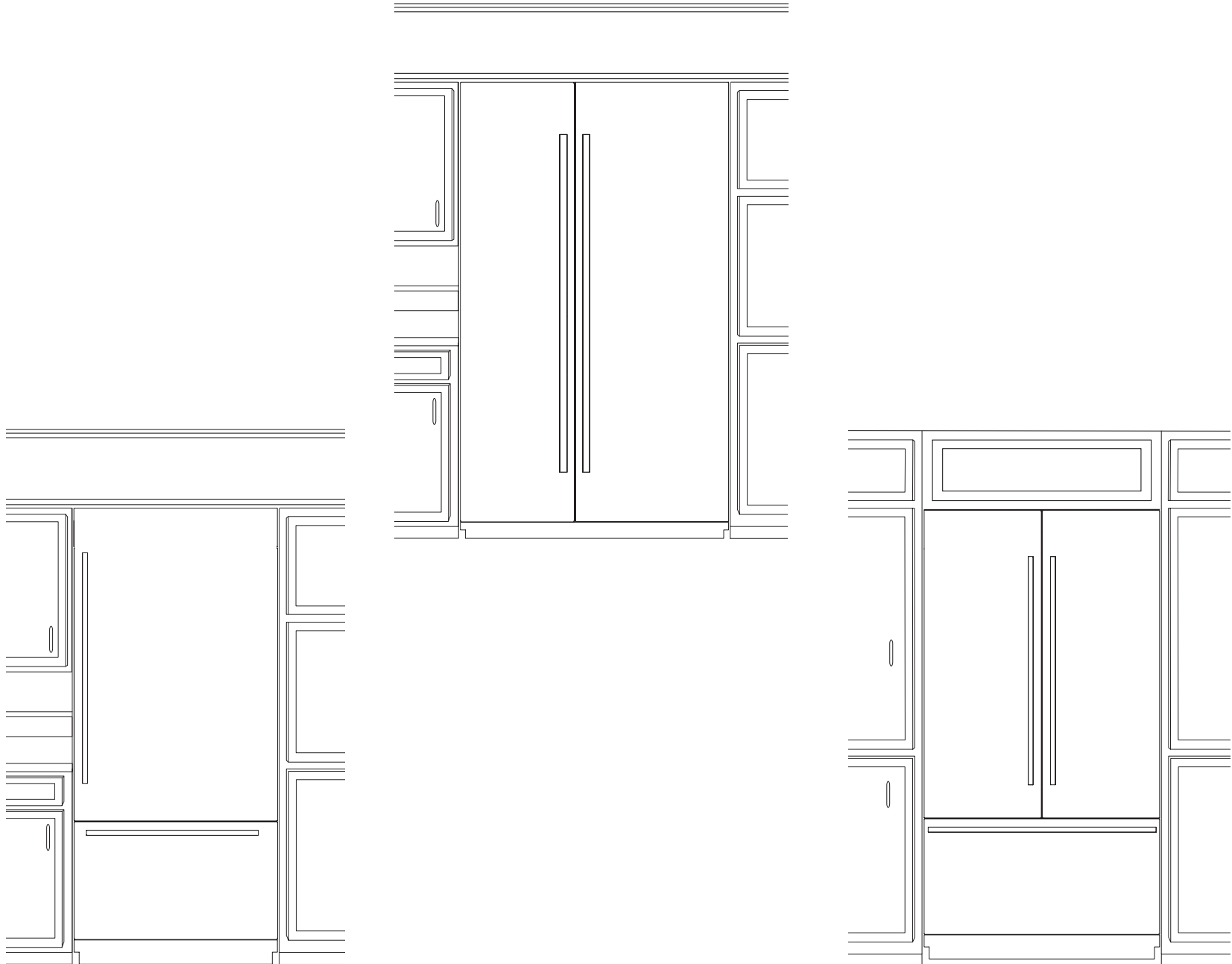




BUILT-IN REFRIGERATOR ARMOIRE-STYLE DOOR PANEL KIT
INSTALLATION INSTRUCTIONS

ENSEMBLE DE PANNEAUX DE PORTE DE STYLE ARMOIRE
POUR RÉFRIGÉRATEUR ENCASTRÉ
INSTRUCTIONS D'INSTALLATION

BUILT-IN REFRIGERATOR ARMOIRE-STYLE DOOR PANEL KIT



INTRODUCTION

SAFETY

Your safety and the safety of others are very important.

We have provided many important safety messages in this manual and on your appliance. Always read and obey all safety messages.



This is the safety alert symbol.

This symbol alerts you to potential hazards that can kill or hurt you and others.

All safety messages will follow the safety alert symbol and either the word “DANGER” or WARNING.” These words mean:

⚠ DANGER

You can be killed or seriously injured if you don't immediately follow instructions.

⚠ WARNING

You can be killed or seriously injured if you don't immediately follow instructions.

All safety messages will tell you what the potential hazard is, tell you how to reduce the chance of injury, and tell you what can happen if the instructions are not followed.

INTRODUCTION

TABLE OF CONTENTS

INTRODUCTION

Safety	3
Registration	4
Registering Your Product	4
Product Identification	4

SITE PREPARATION

Before Installation.....	5
Tools and Parts Required	5
Tools and Parts Provided	5
Parts Supplied with Refrigerator	6
Installation Requirements.....	7
Plan the Installation	7
Opening Requirements.....	7
Cabinet and Panel Installation Options	7
Cabinet Cutout Options	8
Airflow and Venting Recommendations	8
Panel Dimensions.....	9
Secondary Anti-Tip Board.....	10

INSTALLATION

Installing Grille Bracket Assembly.....	11
Installing Air Divider.....	12
Installing Grille Panel.....	13
Marking Door Panel	
Top Bracket Location(s).....	14
Installing Panel Top Bracket(s) and	
Shoulder Washer	15
Installing Freezer Brackets	16
Installing Freezer Panel	17
Installing Door Panel(s).....	18
Moving Refrigerator to Final Position.....	20
Adjusting Door Swing.....	21
Adjusting Freezer Panel.....	22
Adjusting Refrigerator Panel(s).....	23
Attaching Panel(s).....	25
Completing the Installation.....	27

TABLE DES MATIÈRES.....	29
-------------------------	----

INTRODUCTION

REGISTRATION

REGISTERING YOUR PRODUCT

Gain access to our concierge-level Customer Support by registering your appliance. We make product registration simple and straightforward so that you can start using your exclusive JennAir benefits today.

Registering your appliance allows you to:

- **Streamline your warranty service**
If we have your product information, we can help you faster.
- **Protect your purchase**
In case of an insurance loss, such as fire, flood, or theft, your product registration could serve as a proof of purchase.
- **Keep your family safe**
We'll notify you in the rare case of a safety notification.

Start taking advantage of these benefits today by going on-line to register your product at jennair.com/customer-care. In Canada, register your product at jennair.ca.

PRODUCT IDENTIFICATION

Your product identification, which includes the model and serial numbers, is listed on the product rating plate.

Recording this information below allows us to more easily assist you if your product should ever require service from one of our JennAir Authorized Service Providers.

Model Number: _____

Serial Number: _____

Date of Installation: _____

Authorized Dealer: _____

Authorized Dealer Phone #: _____

SITE PREPARATION BEFORE INSTALLATION

The Armoire-Style Door Panel Kit for fully integrated JennAir® refrigerators enables door panels with a hidden top panel for the ultimate integrated design in kitchen cabinet.

IMPORTANT:

- These instructions are intended as a general guide only and do not supersede any national or local codes in any way. Compliance with all local, state, or national codes pertaining to this type of installation should be determined prior to installation.
- These instructions are intended to supplement the Installation Instructions provided with your refrigerator, not replace them. Follow the instructions provided with the refrigerator to install it into the cabinet.

NOTE: The hardware bag contains all the parts and fasteners needed to install panels. A hardware bag is shipped with the refrigerator. You will find the hardware bag in either one of the crisper drawers or attached to the outside of one of the refrigerator doors.

⚠ CAUTION

Pinch Hazard

Installation of door panels with less than a $\frac{3}{8}$ " (0.95 cm) gap between the door panel and the adjacent cabinet increases the risk of potential pinching.

TOOLS AND PARTS REQUIRED

Assemble the required tools and parts before starting installation. Read and follow the instructions provided with any of the required tools listed here. Proper installation is your responsibility.

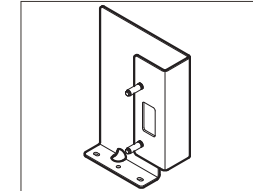
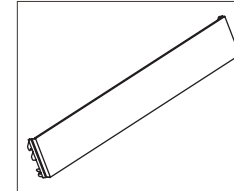
Tools Required:

- Cordless drill and drill bits
- 3/8" and 1/2" Open-end wrenches or two adjustable wrenches
- Phillips screwdriver
- Small level
- Appliance dolly
- 3/32", 5/32", and 3/16" Hex keys
- 1/4" and 5/16" Nut drivers
- 6" Extension nut drivers
- Tape measure

TOOLS AND PARTS PROVIDED

Parts Supplied with Panel Kit:

■ Instructions

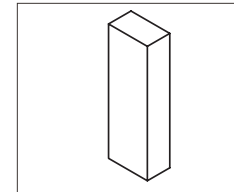


Grille Panel

W11215146 (for 36" models)
W11215148 (for 42" models)
W11215150 (for 48" models)

Grille bracket assembly

W11215152 (RH side)
W11215154 (LH side)

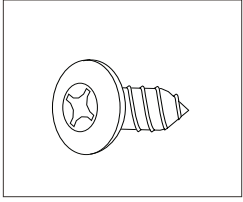


Foam air divider

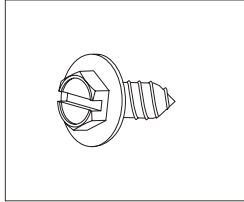
W11239303

SITE PREPARATION BEFORE INSTALLATION (CONTD.)

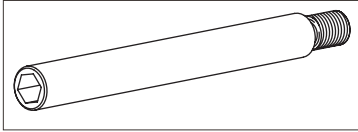
Parts Supplied with Refrigerator (Needed for Armoire Installation):



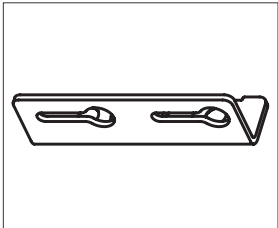
Phillips-head flat screw
Black: 8281252



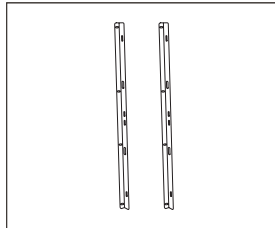
Slotted hex-head screw
W10141645



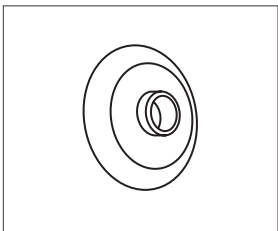
Door stop pin
W10234202



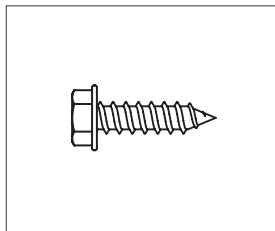
Panel top brackets
Black: W10667450



Freezer panel brackets
W10606815



Shoulder washer
W10471946

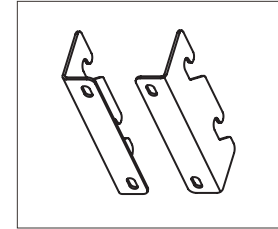


Hex-head pointed screw
W10141189

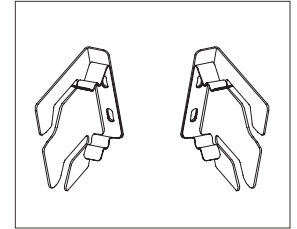
- All hardware
- Hinge cover trim (RC and FC)
- Side trim
- Handle side door trim
- Installation block
- Panel templates

PARTS SUPPLIED WITH REFRIGERATOR

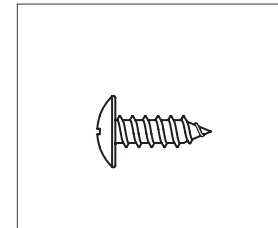
The following parts are either not needed to install the panels in this kit, or they are already installed on the panels. These parts can be discarded after the installation is completed:



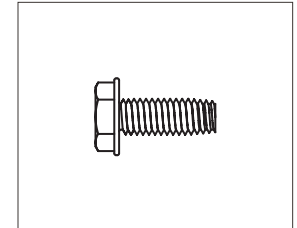
Standard grille bracket
W10182743 (left)
W10172741 (right)



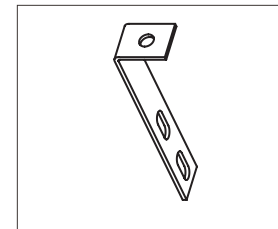
Integrated grille bracket
W10260890 (left)
W10260891 (right)



Round-head screw
1163283



Hex-head blunt screw
W10142233



"L" brackets
W10234199

SITE PREPARATION INSTALLATION REQUIREMENTS

PLAN THE INSTALLATION

IMPORTANT:

- Install the handles on the panels prior to panel installation. Follow the instructions received with handle kit to install the handles.
- Plan your installation using these instructions in conjunction with the Installation Instructions provided with the refrigerator. Modifications must be made to the refrigerator to accommodate the Armoire-style door panels.

Required parts

- One of the following built-in refrigerator models:
 - 42" Side-by-Side: JBSFS42NMX
 - 48" Side-by-Side: JBSFS48NMX
 - 36" Bottom Mount: JB36NFXLE, JB36NFXRE
 - 36" French Door Bottom Mount: JF36NFXDE
 - 42" French Door Bottom Mount: JF42NFXDE
- Accessory Armoire-Style Door Panel Kit which includes (Grille Assembly and Grille Bracket Assembly)
- Custom Panels
NOTE: The required thickness for all panels is 3/4" (1.91 cm).

OPENING REQUIREMENTS

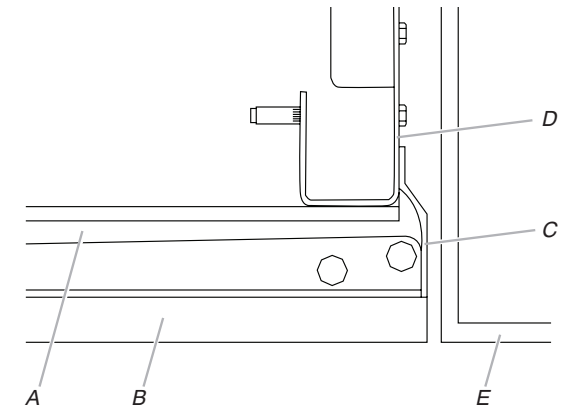
IMPORTANT:

- The width of the opening, from side to side, must be as specified for your model, for at least 3" (7.62 cm) back from the face of the cabinet. If your opening does not meet this requirement, you will need to make modifications.
- The depth of the opening from the front of the cabinet to the back wall must be 25" (63.5 cm) minimum to achieve a flush installation.

CABINET AND PANEL INSTALLATION OPTIONS

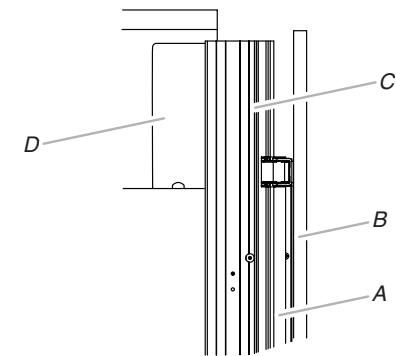
Cabinet Depth - 25" (63.5 cm)

Grille Bracket - Top View



- A. Refrigerator door
 B. Armoire-style door panel
 C. Side trim
 D. Grille bracket
 E. Adjacent cabinet

Grille Bracket - Side View



- A. Refrigerator door
 B. Armoire-style door panel
 C. Side trim
 D. Grille bracket

SITE PREPARATION

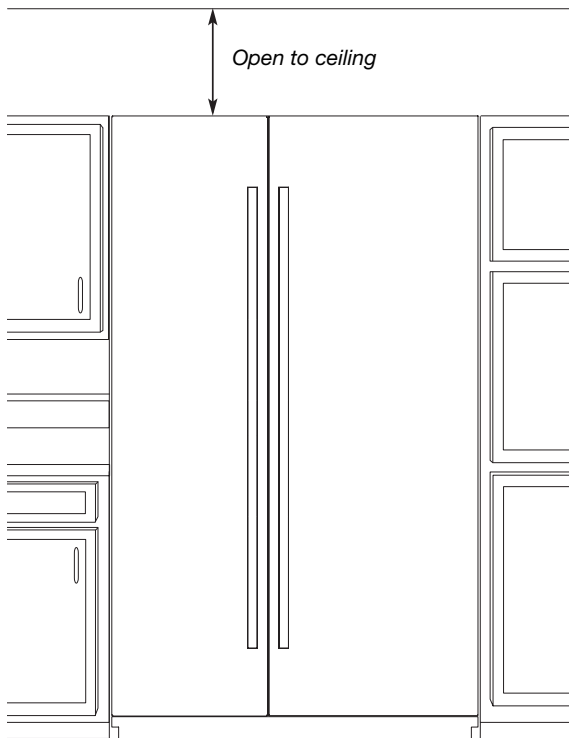
CABINET CUTOUT OPTIONS

AIRFLOW VENTING RECOMMENDATIONS

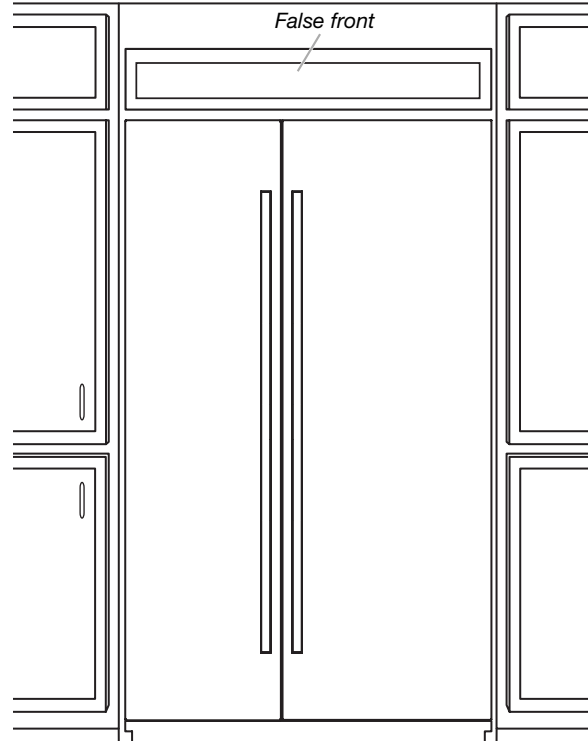
IMPORTANT:

- Armoire-style installations recommends a minimum of 1/8" (3.2 mm) of open space above the refrigerator. It is recommended that this space not be blocked in any way, including soffits.
- Models may be installed using either Option 1, Option 2 or option 3.

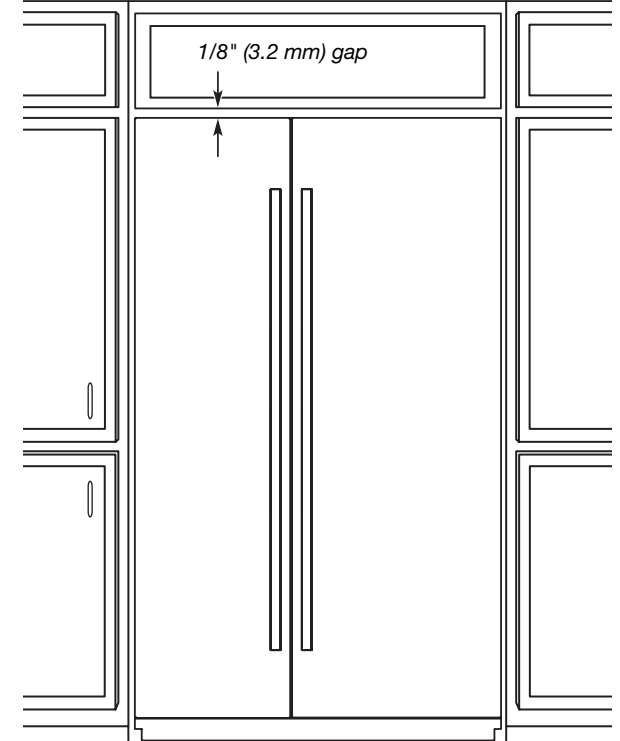
Option 1 - Open to Ceiling



Option 2 - False Front (cabinet face only)



Option 3 - Closed Soffit

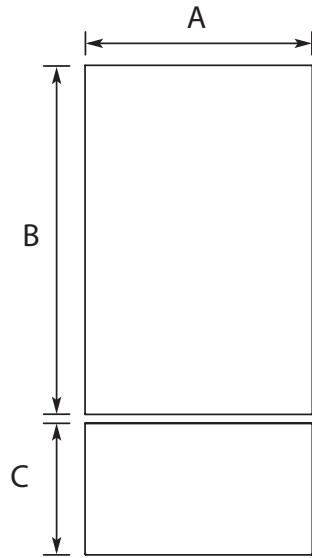


SITE PREPARATION

PANEL DIMENSIONS

BOTTOM MOUNT MODEL

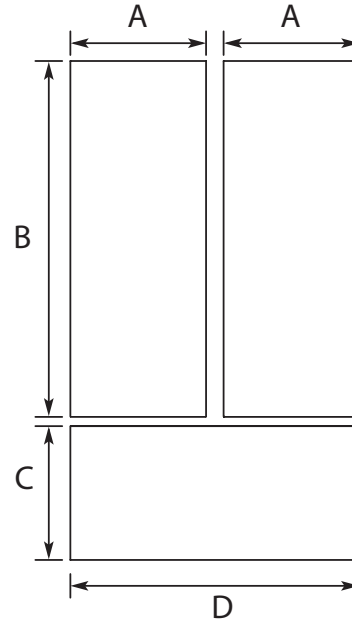
- ! Maximum allowable weights:
- Door panel - 60 lbs (27.2 kg)
 - Drawer panel - 25 lbs (11.3 kg)



Legend	Model	Dimension
A	36"	35 ³ / ₄ " (90.81 cm)
B	36"	59 ¹ / ₈ " (150.2 cm)
C	36"	20 ¹ / ₂ " (52.07 cm)

FRENCH DOOR BOTTOM MOUNT MODELS

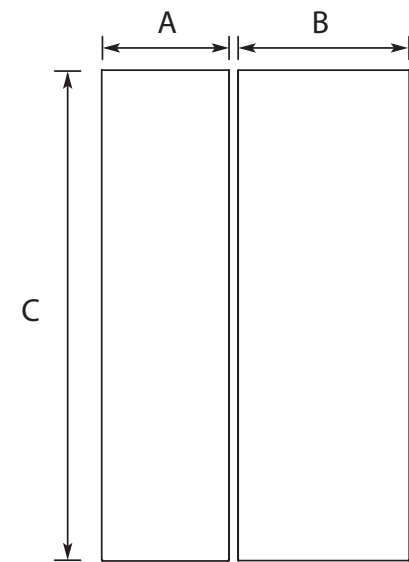
- ! Maximum allowable weights:
- Door panel - 38 lbs (17.2 kg)
 - Drawer panel (36" model) - 25 lbs (11.3 kg)
 - Drawer panel (42" model) - 30 lbs (13.6 kg)



Legend	Model	Dimension
A	36"	17 ³ / ₄ " (45.24 cm)
B		59 ¹ / ₈ " (150.2 cm)
C		20 ¹ / ₂ " (52.07 cm)
D		35 ³ / ₄ " (90.81 cm)
A	42"	20 ³ / ₄ " (52.86 cm)
B		59 ¹ / ₈ " (150.2 cm)
C		20 ¹ / ₂ " (52.07 cm)
D		41 ³ / ₄ " (106.05 cm)

SIDE BY SIDE MODELS

- ! Maximum allowable weights (42" models):
- Refrigerator Door panel - 65 lbs (29.5 kg)
 - Freezer Door panel - 49 lbs (22.2 kg)
- Maximum allowable weights (48" models):
- Refrigerator Door panel - 66 lbs (29.9 kg)
 - Freezer Door panel - 50 lbs (23 kg)



Legend	Model	Dimension
A	42"	17 ³ / ₄ " (45.24 cm)
B		23 ³ / ₄ " (60.48 cm)
C		81" (205.7 cm)
A	48"	20 ¹ / ₄ " (51.59 cm)
B		27 ¹ / ₄ " (69.37 cm)
C		81" (205.7 cm)

SITE PREPARATION SECONDARY ANTI-TIP BOARD

WARNING



Tip Over Hazard

Refrigerator is top heavy and tips easily when not completely installed.

Install secondary anti-tip board to ensure product stability.

Use two or more people to move and install refrigerator.

Failure to do so can result in death or serious injury.

IMPORTANT:

- For all Armoire-style door panel installations, the secondary anti-tip board is required to be installed prior to door panel installation.
- This anti-tip board is to be secured on the right side of the cabinet enclosure as per the dimensions shown in illustration.

NOTE: Anti-tip board is required as an addition to the rear wall anti-tip board (for open to ceiling installation) described in the installation instructions provided with the refrigerator.

- Secure the secondary anti-tip board so that the bottom surface of the secondary anti-tip board is 75½" (191.77 cm) from the floor (right hand side).

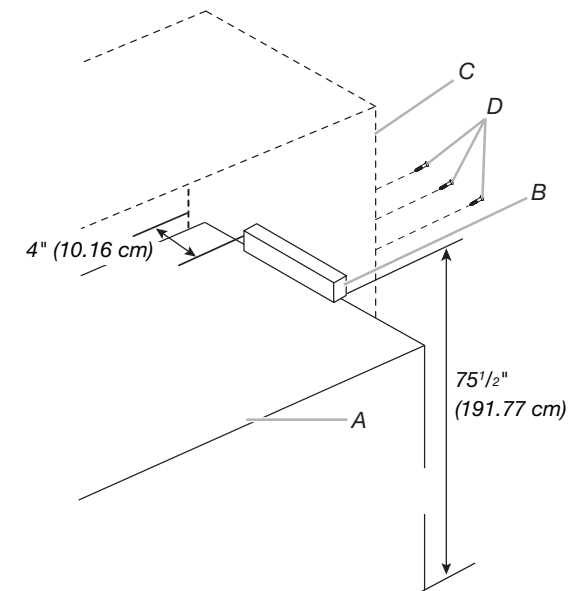
- The main anti-tip boards for open to ceiling installation are secured at 84" (213.36 cm) from the floor (rear side).
- During panel installation, raise the refrigerator up until the top of the refrigerator is making contact with the bottom of the secondary anti-tip board.

INSTALLING THE SECONDARY ANTI-TIP BOARD

1. Mark the stud locations on right hand side cabinet wall.
2. Securely attach one 2" x 4" x 12" (5 cm x 10 cm x 30.4 cm) board to the cabinet on right hand side cabinet using wood screws. Use three #8 x 2" (5.08 cm) (or longer) wood screws.

NOTE:

- It is recommended to drive the wood screws from cabinet wall into the secondary anti-tip board as shown in the illustration.
- The board must have overlap of 1" (2.54 cm) with the refrigerator top.
- Leave 4" (10.16 cm) free space at rear as shown in the illustration.



A. Refrigerator

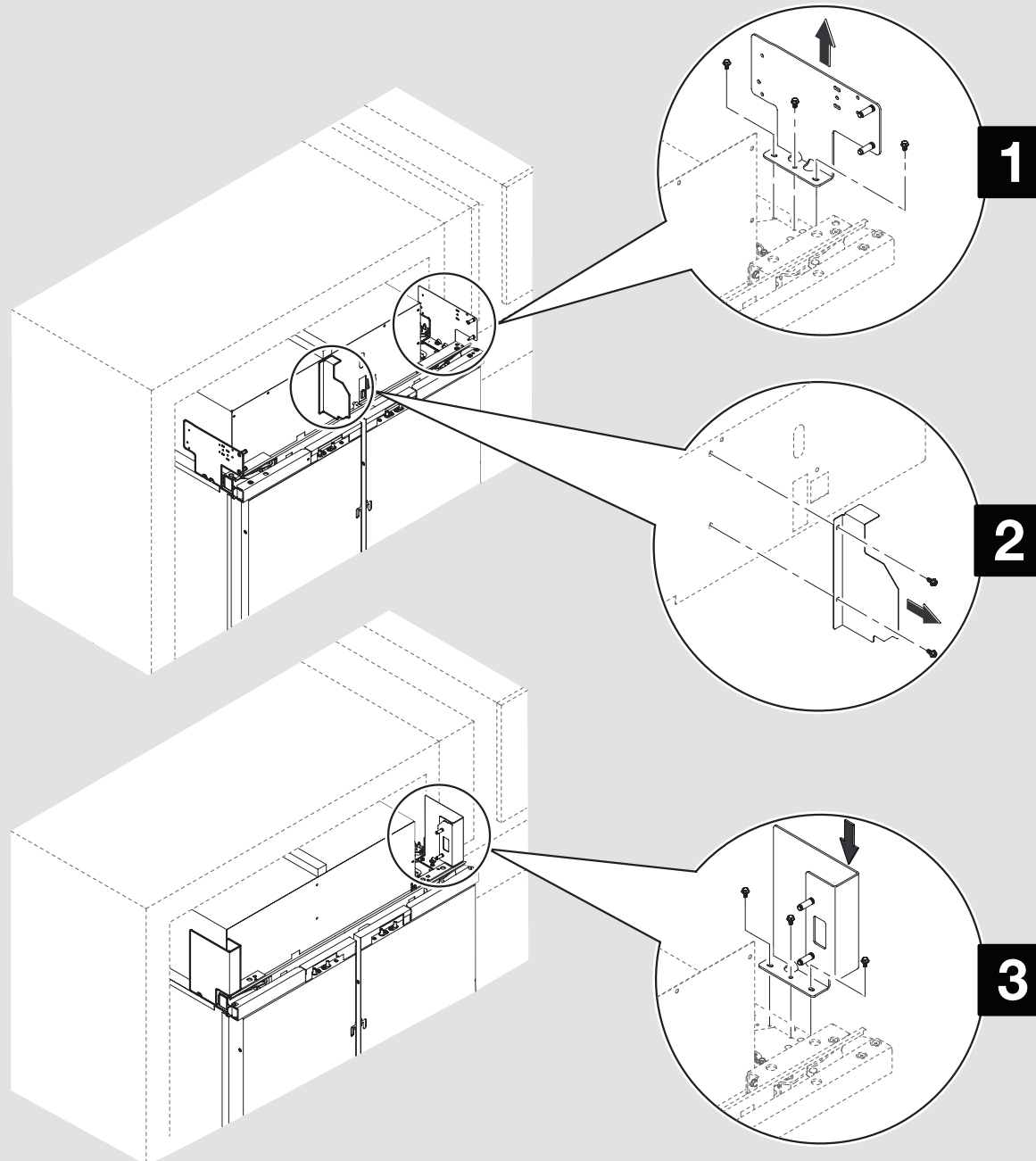
B. Secondary anti-tip board

C. Kitchen cabinet

D. Wood screws

INSTALLATION

INSTALLING GRILLE BRACKET ASSEMBLY



APPLIES TO: 

⚠ WARNING

Excessive Weight Hazard

Use two or more people to move and install refrigerator.

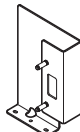
Failure to do so can result in back or other injury.

NOTE: If refrigerator is not on rollers, it is recommended to lower the product to have more access at the top of product for panel installation. For ease of grille installation, it is recommended to have product outside of kitchen cabinet not more than 8" (20.32 cm).

1. Remove the three screws fastening each mounting plate to the top of the refrigerator on each side. Discard the mounting plates but keep the screws for attaching the two grille bracket assemblies provided in this kit.
2. Remove the two screws fastening the air divider to the unit housing. Discard the air divider, and reinstall the screws into the holes from where they were removed.
3. Align the three holes in a grille bracket assembly with the three holes in a cabinet side, as shown. Using the screws removed in Step 1, attach the grille bracket assembly.
4. Repeat step 3 to install the other grille bracket assembly to the opposite side of the refrigerator.

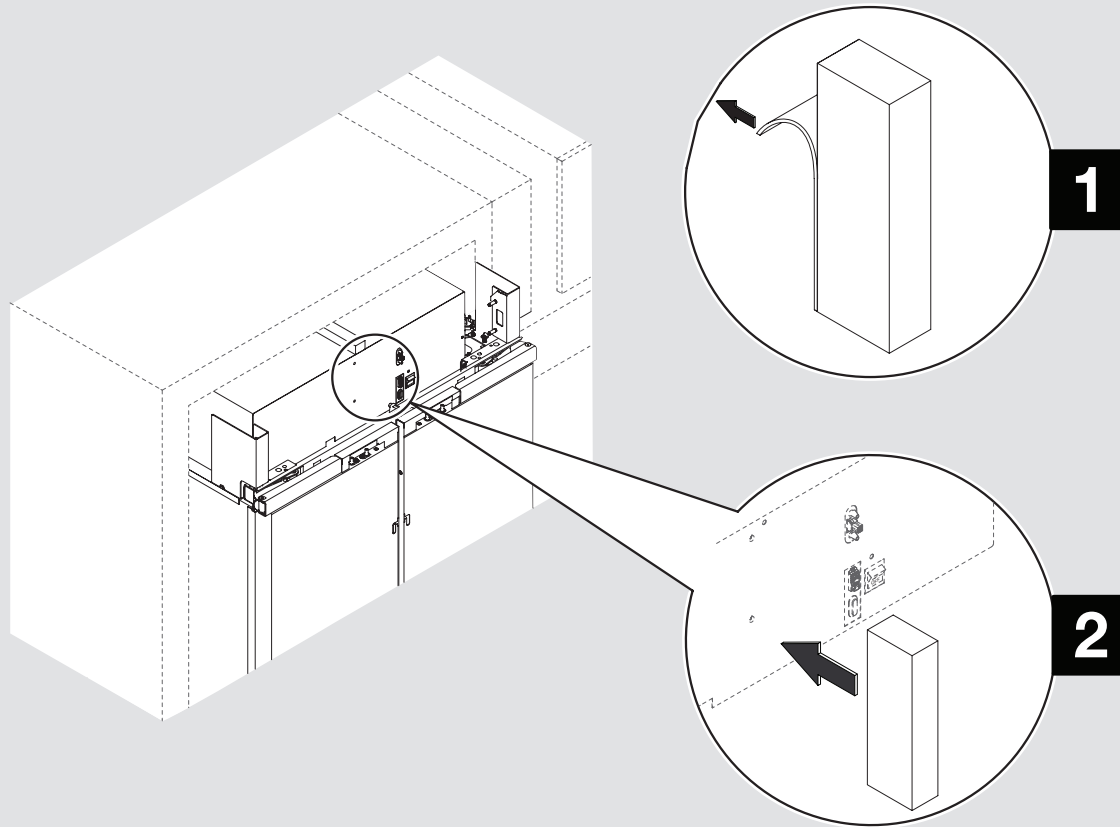
IMPORTANT: Installing the Armoire-style door panels before removing both existing factory installed grille brackets can damage the panels.

Parts to be used:

	X2 Grille bracket assembly
---	----------------------------

INSTALLATION

INSTALLING AIR DIVIDER




! Align the base of foam air divider with base of unit housing

APPLIES TO: 

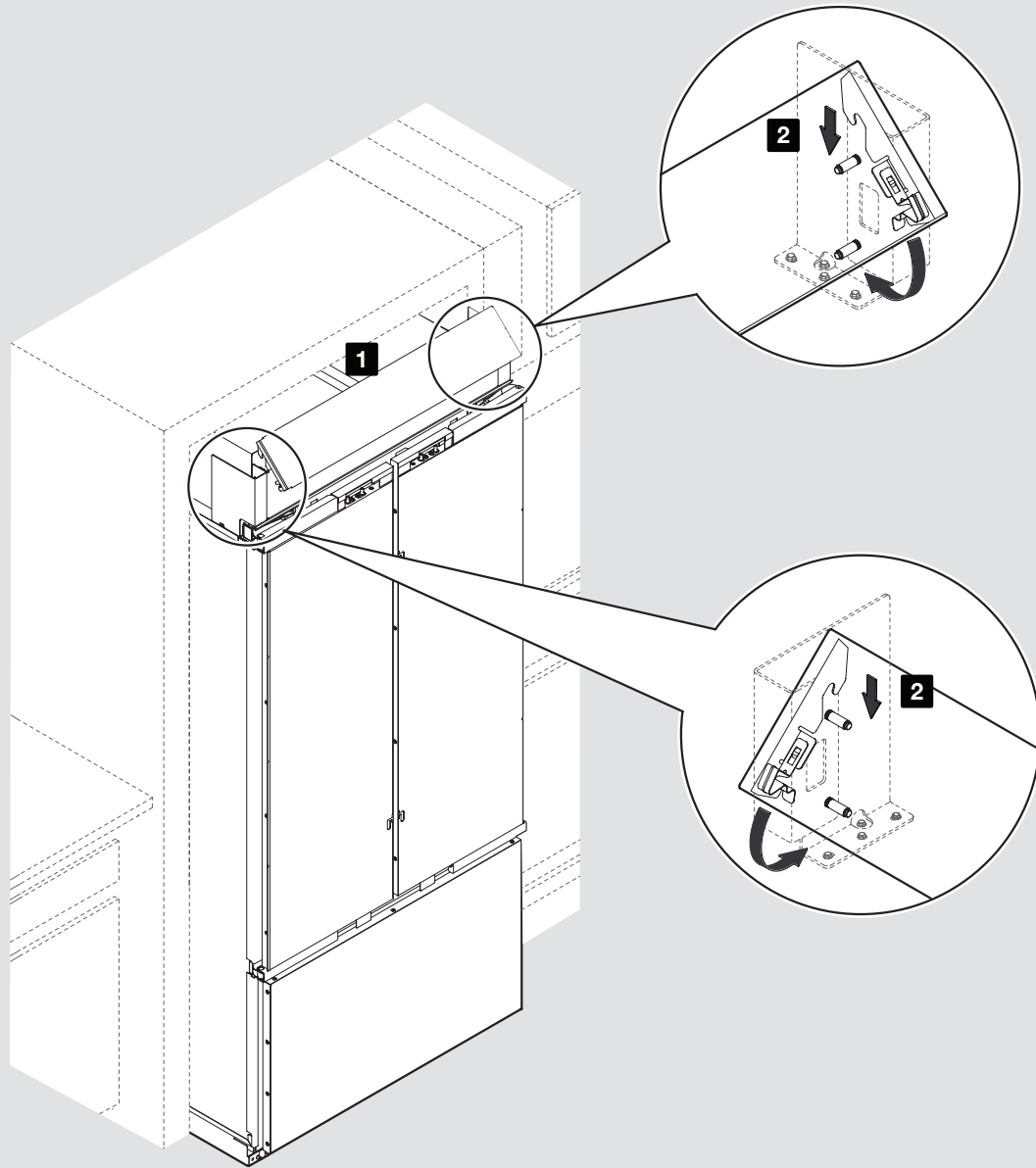
1. Peel away the paper layer from the foam air divider to reveal the adhesive side.
2. Stick the foam air divider to unit housing at the location where metallic air divider was installed earlier by applying even pressure.

Parts to be used:

	X1 Foam air divider
---	---------------------

INSTALLATION

INSTALLING GRILLE PANEL

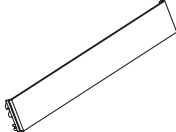


APPLIES TO: 

1. Position the grille panel between the grille brackets on each side of the cabinet.
2. Hook the top of grille onto the upper rivet pins. Rotate downward and push the bottom of the grille panel in until the grille panel snaps into place.

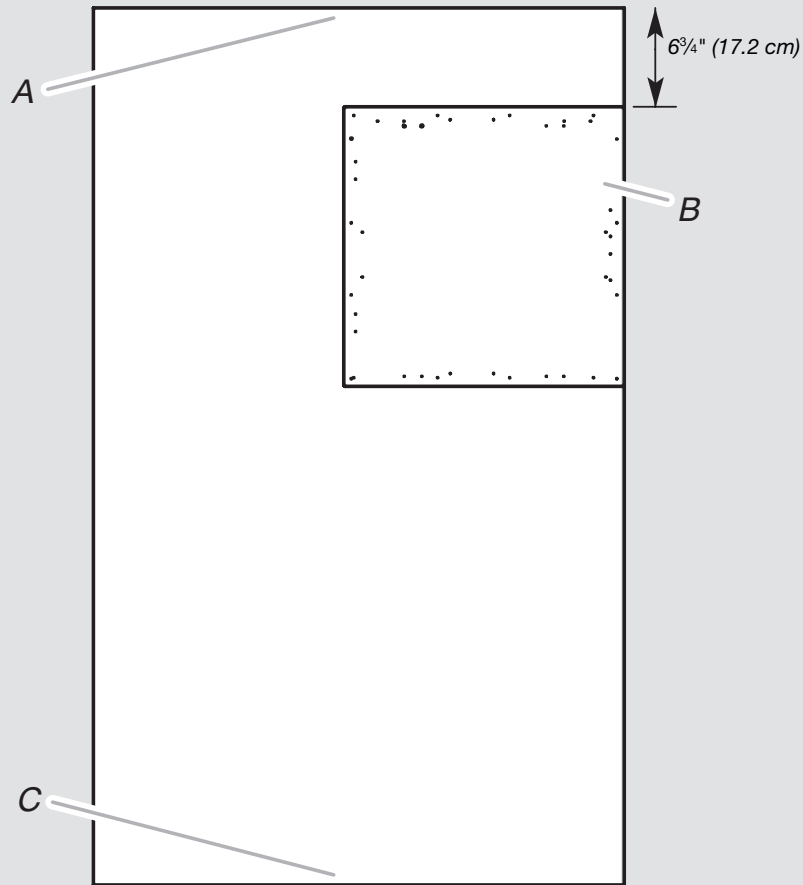
NOTE: For grille panel removal, push the top of grille panel inward until the lower portion snaps out. Rotate and lift off the grille panel.

Parts to be used:

	<p>X1 Grille panel</p>
---	------------------------

INSTALLATION

MARKING DOOR PANEL TOP BRACKET LOCATION(S)



- A. Top of custom refrigerator door panel
- B. Drilling template
- C. Bottom of custom refrigerator door panel

APPLIES TO: 

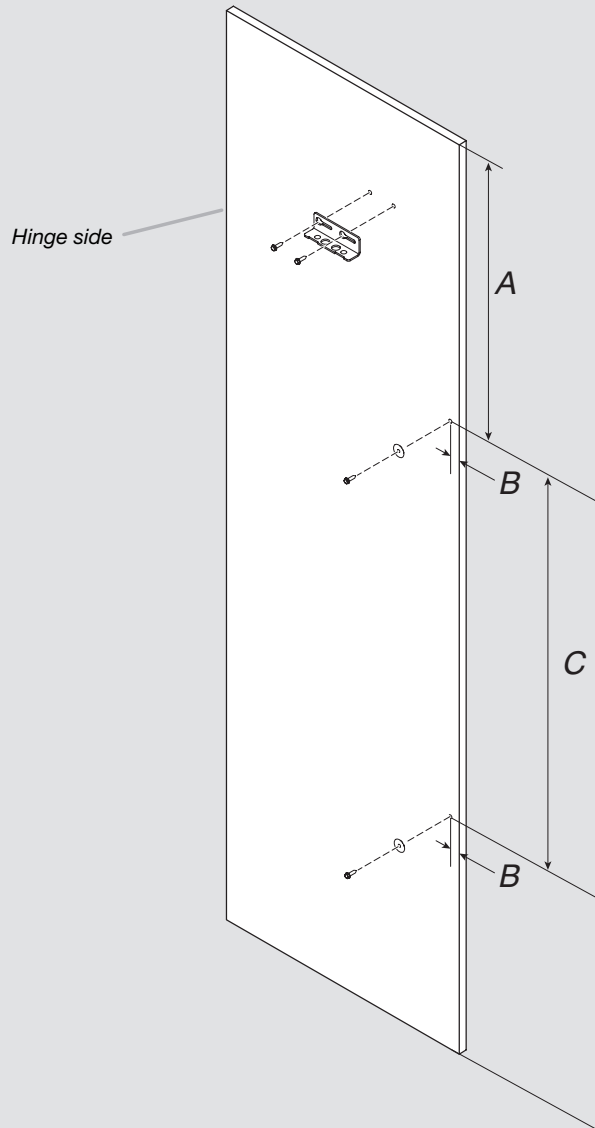
IMPORTANT: For an Armoire installation, instead of drilling holes along the top edge(s) of the custom door panel(s), you must adjust the placement of the drilling template (provided with the refrigerator).

NOTES:

- No template adjustment is needed for the bottom edge of the door panel(s).
 - No template adjustment is needed for the custom freezer drawer panel.
1. Align the drilling template on the back of the custom refrigerator door panel so that the top of the template is offset 6 3/4" (17.2 cm) from the top of the refrigerator door panel.
NOTE: The only offset dimension is the 6 3/4" (17.2 cm) offset from the top of the door panel.
 2. Continue to use the template as you normally would along the bottom, handle side of the door panel.

INSTALLATION

INSTALLING PANEL TOP BRACKET(S) AND SHOULDER WASHERS



APPLIES TO:

1. Fasten the refrigerator/freezer door panel top bracket to custom wood door panel using hex-head pointed screws (2) at marked screw locations (refer "Marking Door Panel Top Bracket Location(s)" section).
2. For marking location of the shoulder washers, Measure 'A' from the top of the panel, measure 'B' from side of panel. Mark the hole locations as shown in Figure. Refer Table 1 for 'A', 'B', and 'C' dimension based on the models.
3. Fasten the shoulder washer to custom wood door panel using hex-head pointed screws (2) at marked screw locations in Step 2.
NOTE: Do not drive the screws completely, allowing clearance so that shoulder washer can be inserted into J slot located on door.
4. In case of French door bottom mount and side by side models, repeat Steps 1-3 for installing panel brackets and shoulder washers on other door.

Table 1 - Shoulder washer locations

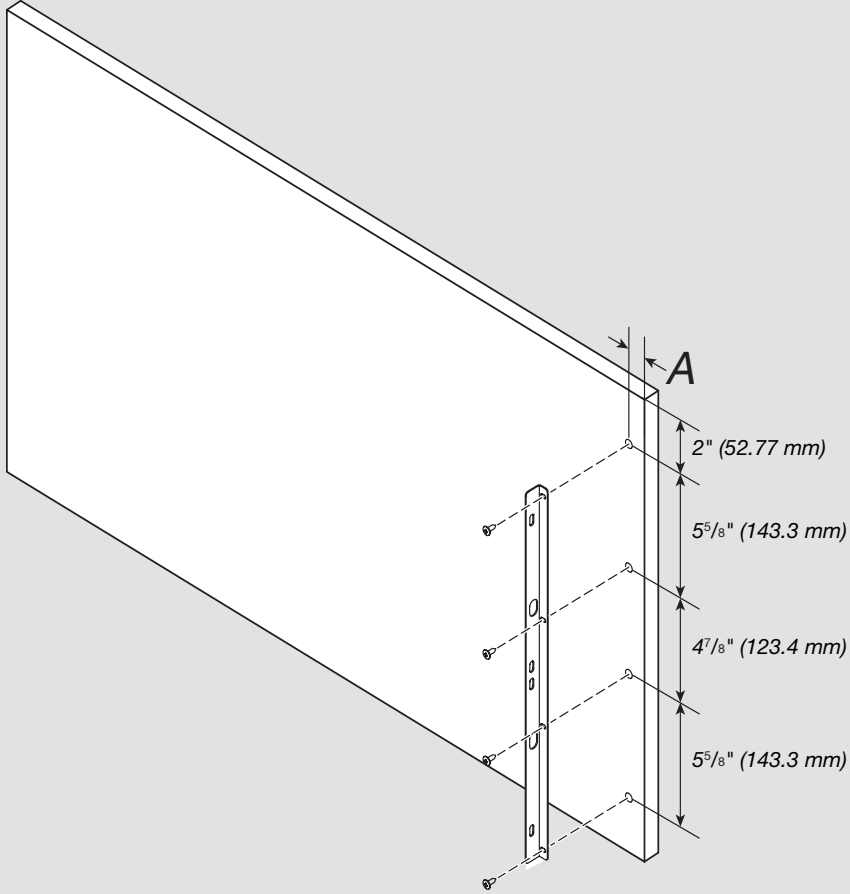
Model	'A'	'B'	'C'
36" Bottom Mount	18 ⁵ / ₁₆ " (465.5 mm)	1 ³ / ₁₆ " (30.3 mm)	30 ¹ / ₂ " (774 mm)
36" / 42" French Door	18 ⁵ / ₁₆ " (465.5 mm)	7/8" (21.75 mm)	30 ¹ / ₂ " (774 mm)
42" / 48" Side by Side	23" (583.5 mm)	13/16" (20.6 mm)	42 ⁵ / ₁₆ " (1075 mm)

INSTALLATION

INSTALLING FREEZER BRACKETS

! FOR SIDE BY SIDE MODELS - SKIP THIS STEP

APPLIES TO: 



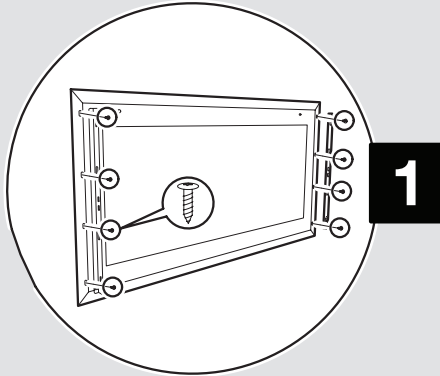
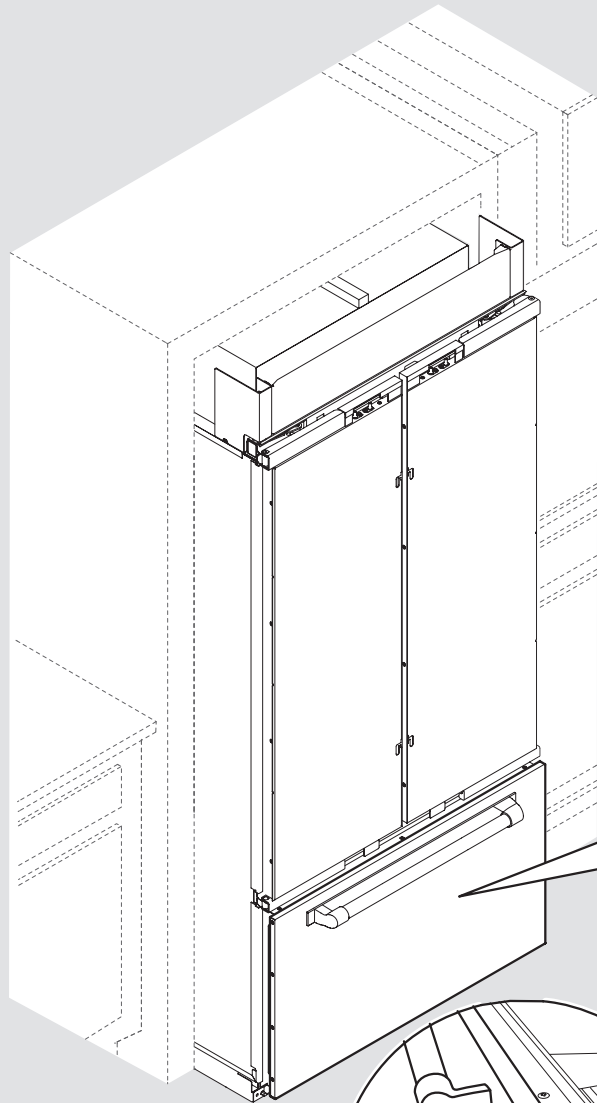
1. For marking location of the freezer bracket screws, Measure 'A' from the top of the panel. Mark the hole locations as shown in Figure. Refer to Table 2 for 'A' dimension based on the models.
2. Fasten the freezer bracket to custom wood drawer panel at marked screw locations in step 1.
3. Repeat step 1-2 to attach freezer bracket on other side.

Table 2 - Freezer bracket locations

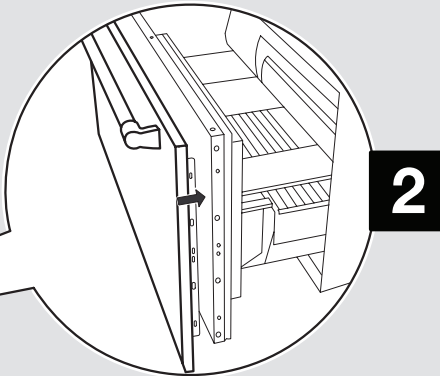
Model	'A'
36" Bottom Mount / French Door	1/2" (12.85 mm)
42" French Door	9/16" (14.43 mm)

INSTALLATION

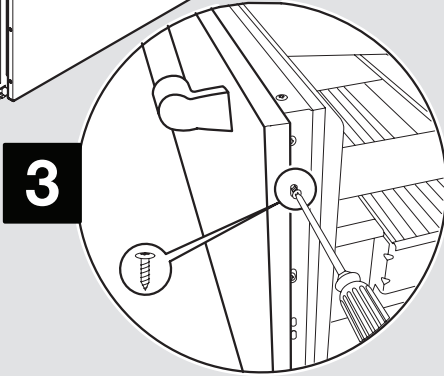
INSTALLING FREEZER PANEL



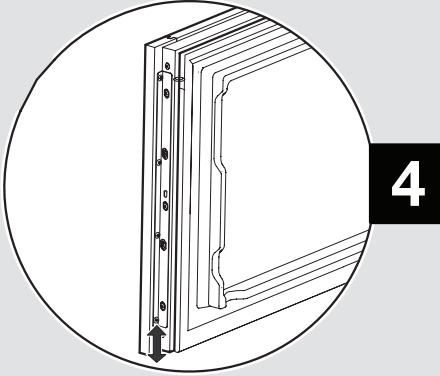
1



2



3



4

! FOR SIDE BY SIDE MODELS - SKIP THIS STEP

APPLIES TO:

1. Slightly loosen the bracket screws present on freezer panel.
NOTE: Be sure that the refrigerator door(s) are tightly closed.
2. Slide panel onto drawer. Retighten the four screws on each side attaching the bracket to the drawer panel.
3. Using the Phillips-head flat screws, fasten the panel brackets to the drawer.
4. To allow for later adjustment of the panel, do not fully tighten the screws attaching the bracket to the drawer.

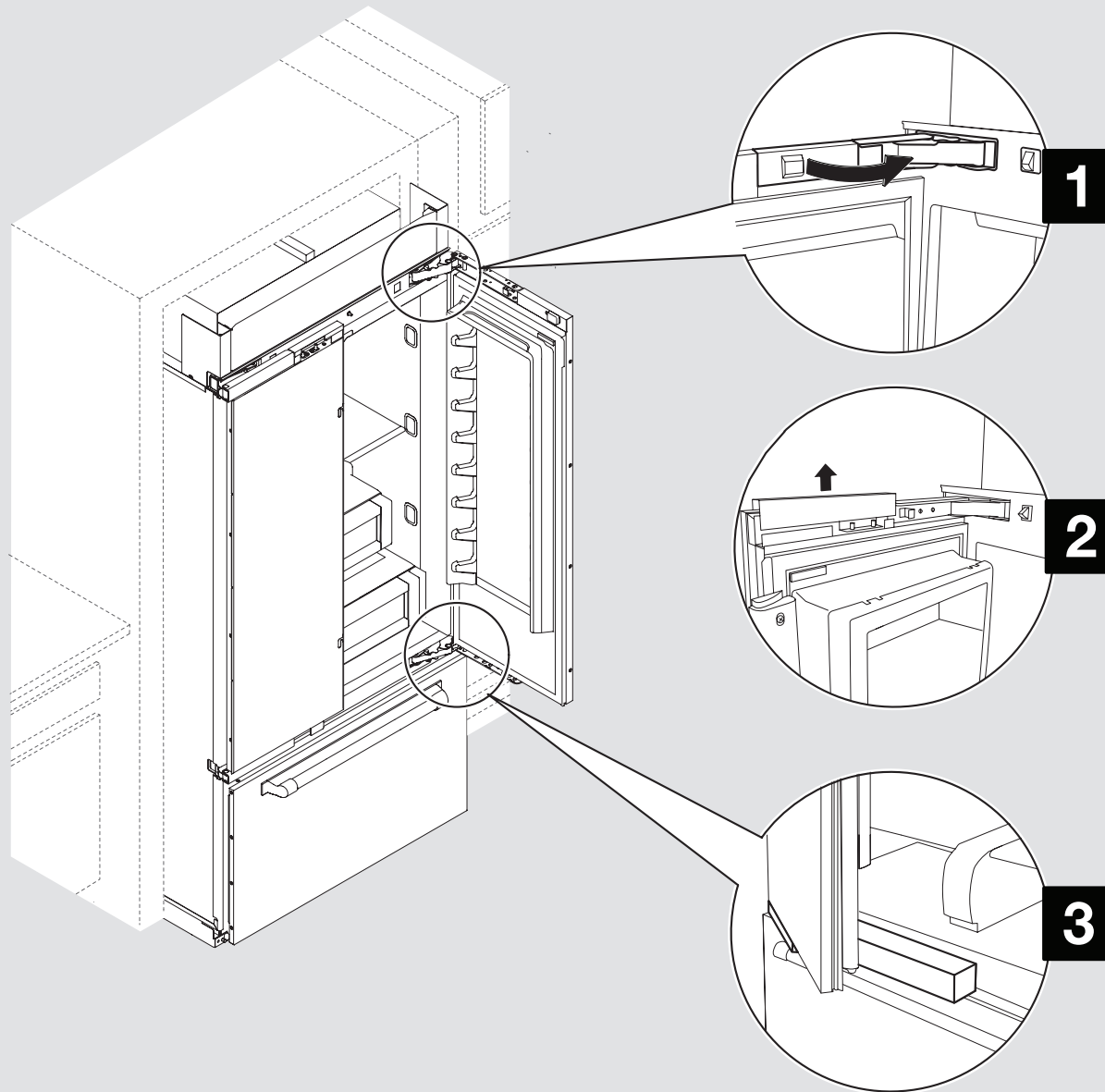
IMPORTANT: When you have completed installing all the panels, check for alignment. The drawer panel will move up or down to align. Completely tighten the screws only when panels are fully aligned.

Parts to be used:	
	X6 Phillips-head screws

INSTALLATION

INSTALLATION

INSTALLING DOOR PANEL(S)



APPLIES TO: 

⚠ WARNING



Tip Over Hazard

Refrigerator is top heavy and tips easily when not completely installed.

Install secondary anti-tip board to ensure product stability.

Use two or more people to move and install refrigerator.

Failure to do so can result in death or serious injury.

NOTE:

- Be sure that secondary anti-tip board is installed before opening the door. Refer "INSTALLING THE SECONDARY ANTI-TIP BOARD" section to install the secondary anti-tip board.
- For panel installation, it is recommended to have product outside of kitchen cabinet not more than 8" (20.32 cm).
- Raise the refrigerator until the top of the refrigerator touches the bottom of secondary anti-tip board.
- Open only one door at a time.

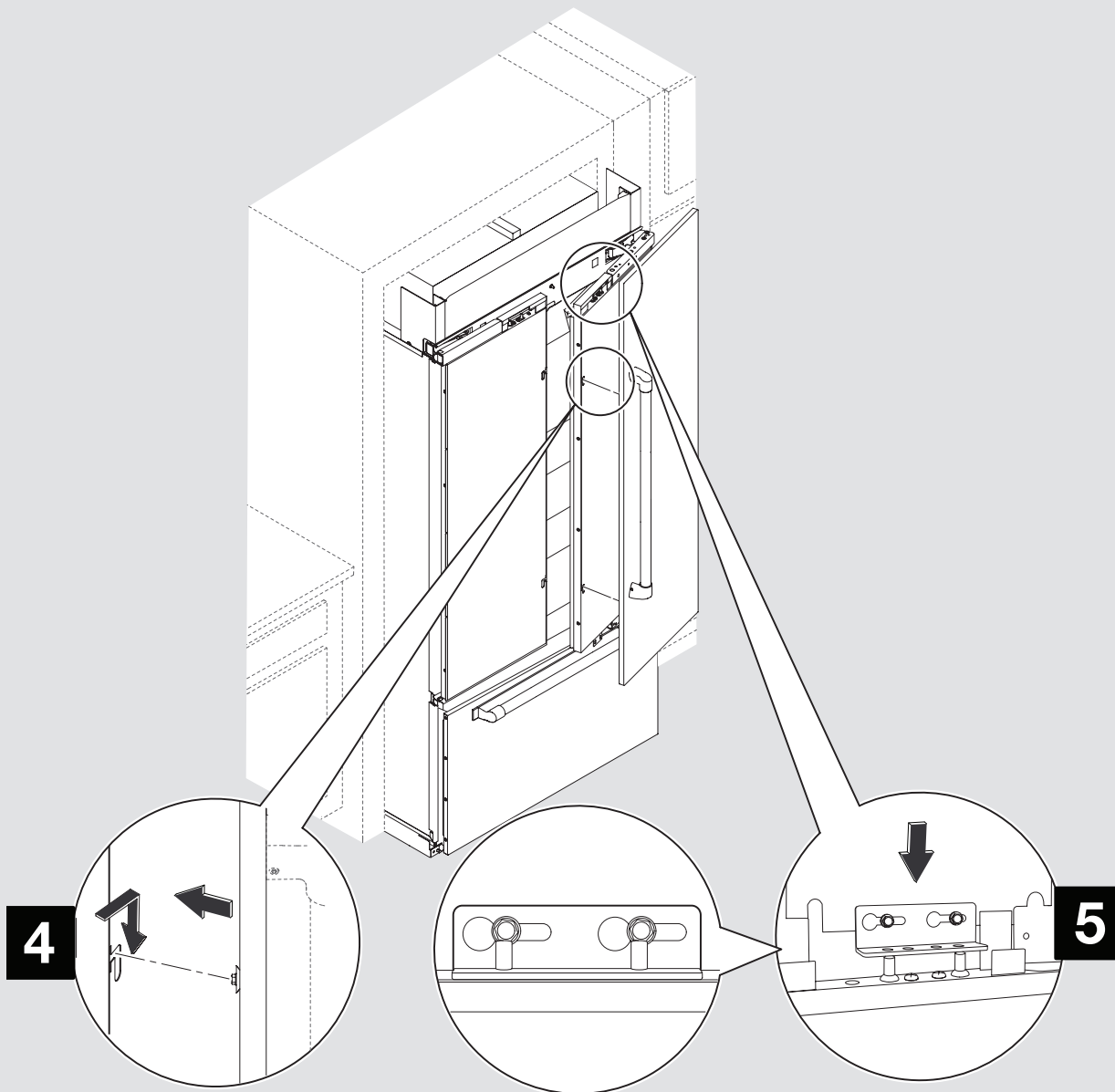
1. Open the door(s) and remove the hinge cover(s).

NOTE: French door and bottom mount models have bottom hinge cover(s) that also must be removed.

2. Take out the door adjustment pin cover(s) to expose the adjustment pins.

3. Use foam packaging to prop and hold the door open while installing a door panel.

INSTALLATION INSTALLING DOOR PANEL(S) (CONTD.)



⚠ WARNING

Excessive Weight Hazard

Use two or more people to move and install panels.

Failure to do so can result in back or other injury.

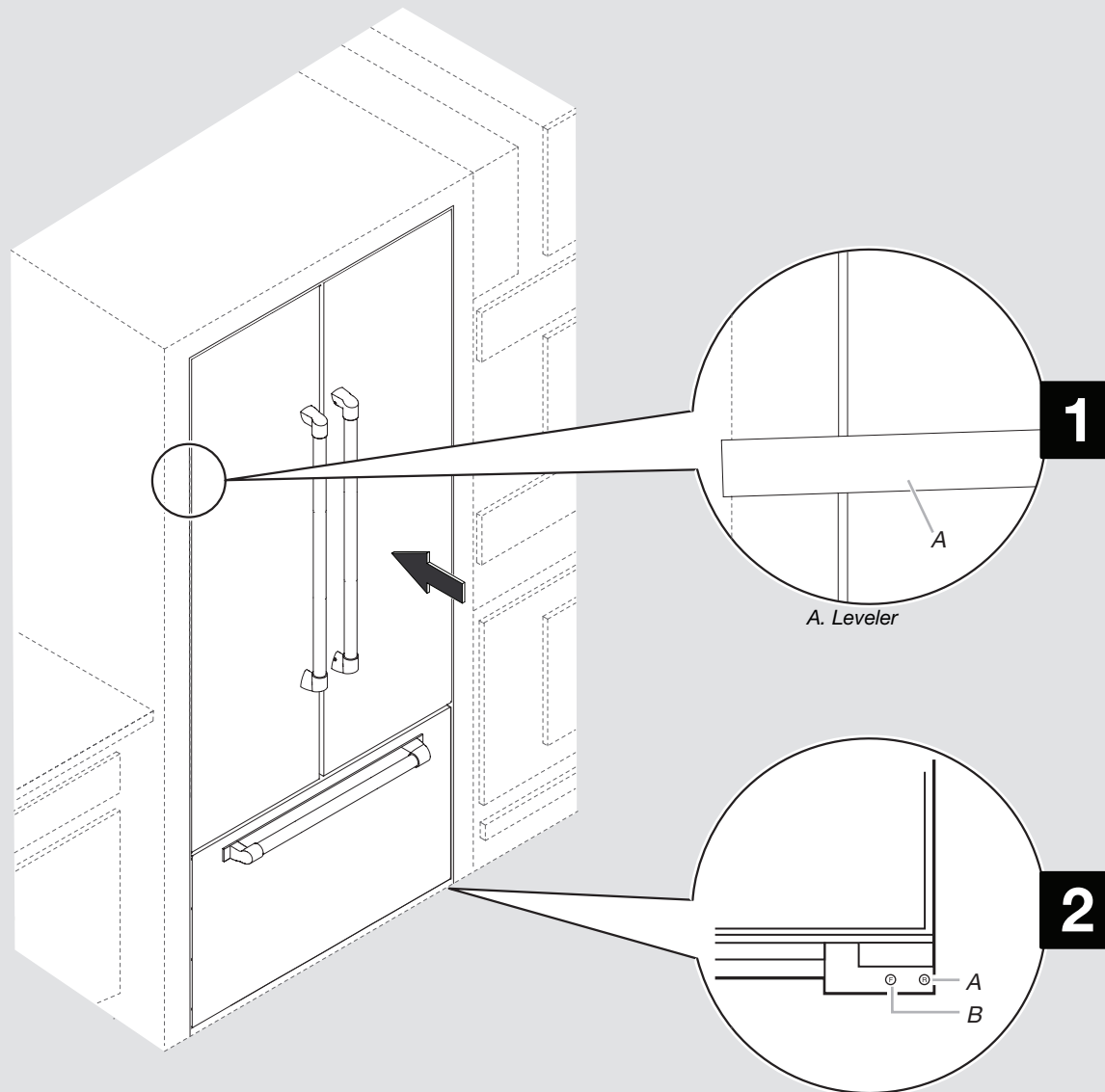
4. Align the two shoulder washers, on the back of the door panel, with the “J” slots on the side of the refrigerator door.
5. Simultaneously slide the panel onto the door, and lower the panel bracket down onto the adjustment pins at the top of the door.

NOTE:

- On French door and side by side models, repeat steps 2 through 5 to install the second door panel.
- After panel(s) are installed properly, lower the refrigerator onto the rollers.

INSTALLATION

MOVING REFRIGERATOR TO FINAL POSITION



APPLIES TO: 

⚠ WARNING

Excessive Weight Hazard

Use two or more people to move and install refrigerator.

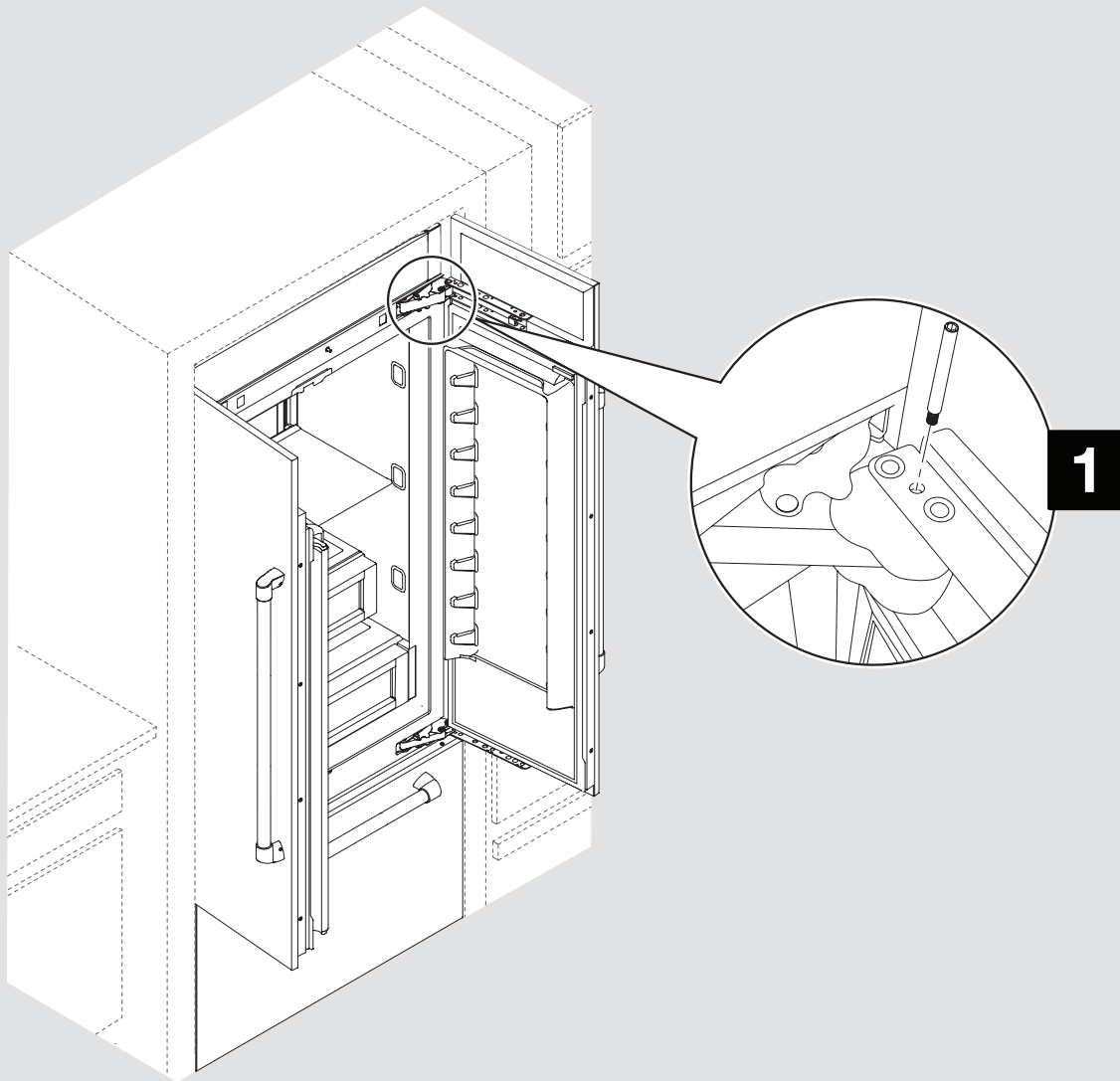
Failure to do so can result in back or other injury.

1. Move the refrigerator straight back and evenly into the cabinet opening so that all the panels are flush with adjacent cabinets from all sides.
2. Use a 5/16" Nut driver to turn the leveling bolts clockwise to raise the refrigerator. Adjust the leveling bolts until the top of the refrigerator is making contact with the bottom of the secondary anti-tip board.

IMPORTANT: After height adjustment, ensure refrigerator is perfectly leveled horizontally. And ensure panels are flush with adjacent cabinets.

INSTALLATION

ADJUSTING DOOR SWING



APPLIES TO: 

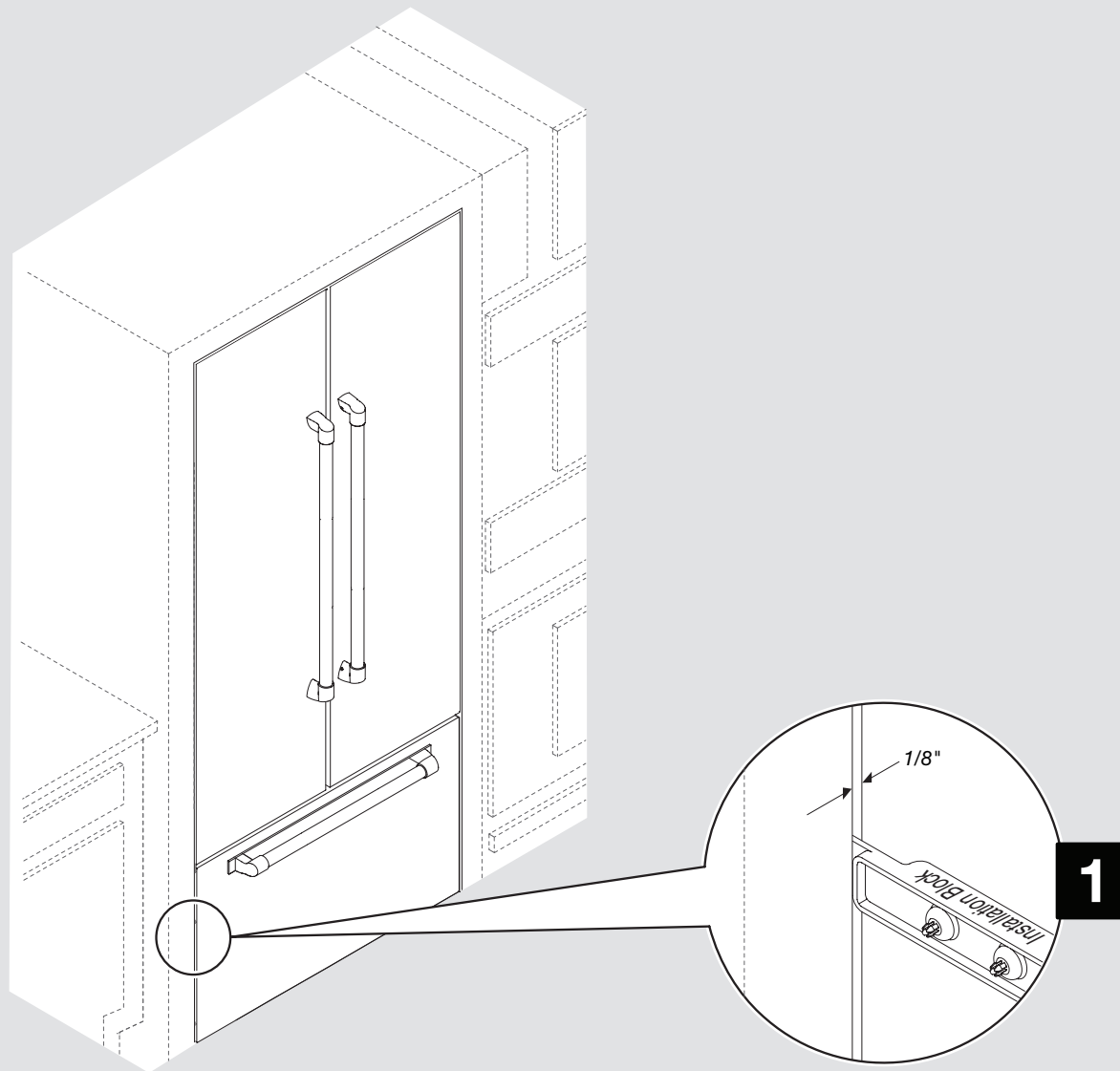
1. If the standard 110° door swing is too wide, install the door stop pin to allow for a maximum 90° door swing. Insert the door stop pin into the top hinge in the hole shown. Use a 5/32" hex key, to tighten door stop pin.

Parts to be used:

	Door stop pin (as required)
---	-----------------------------

INSTALLATION

ADJUSTING FREEZER PANEL



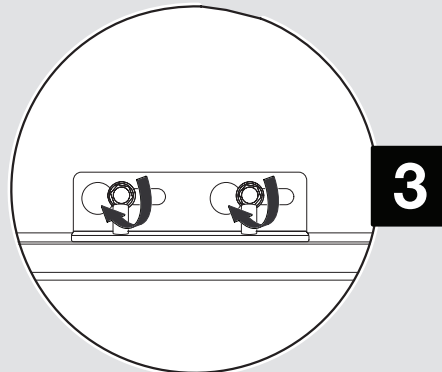
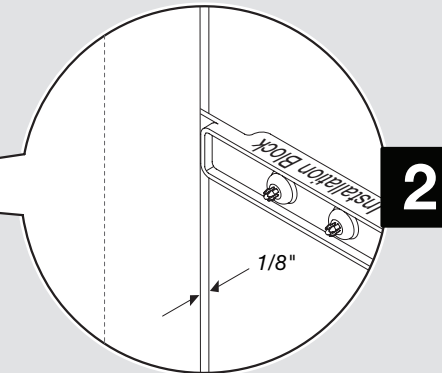
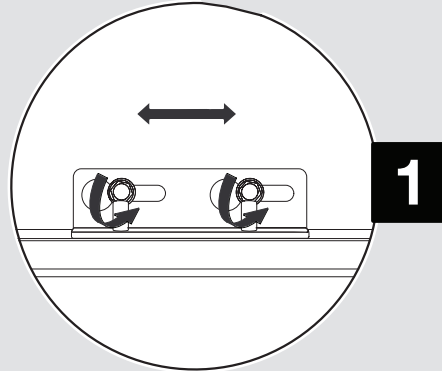
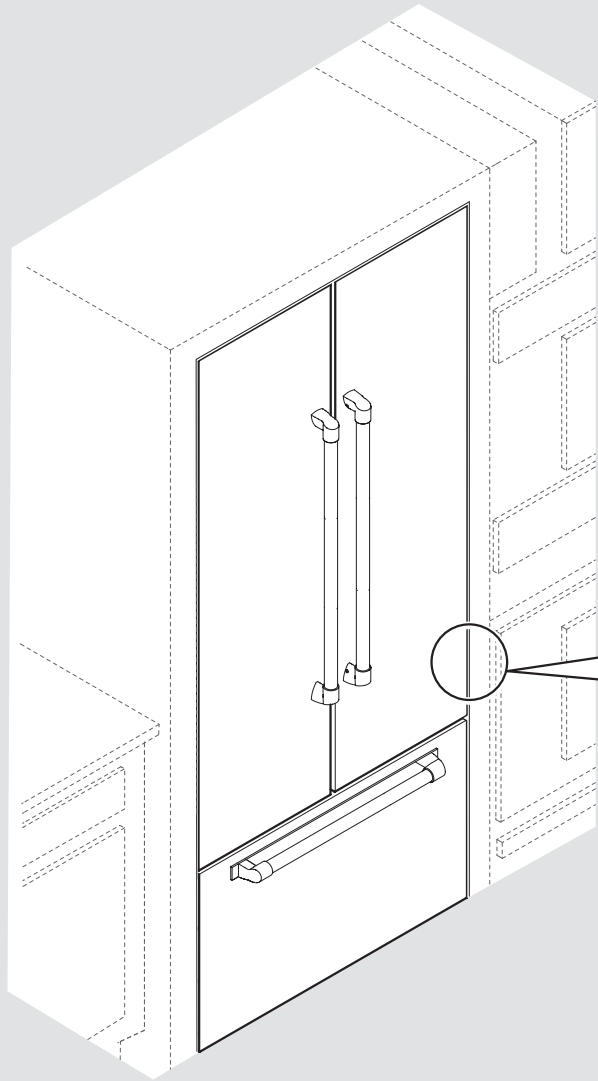
! FOR SIDE BY SIDE MODELS - SKIP THIS STEP

APPLIES TO: 

1. A 1/8" (3.2 mm) gap is required between the panel and adjacent cabinets. Use the installation block to measure the gaps.

INSTALLATION

ADJUSTING REFRIGERATOR PANEL(S)



APPLIES TO: 

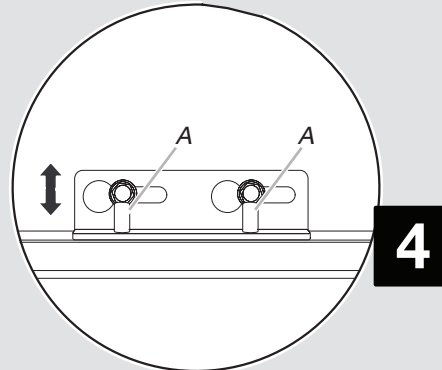
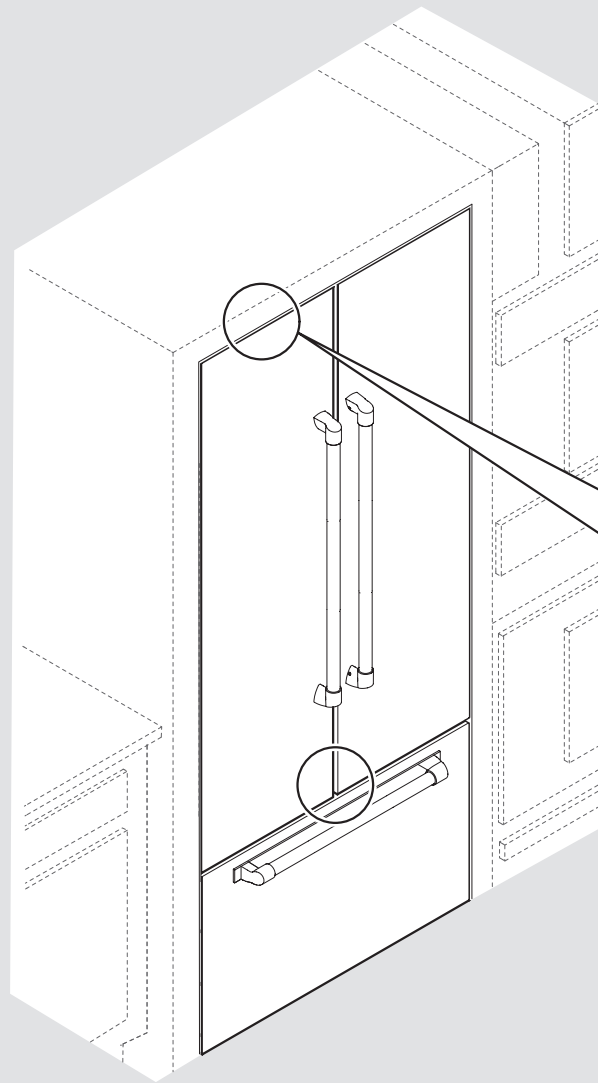
1. Slightly loosen the panel bracket screws to allow the panel to move to the left or right.
2. Adjust panels to achieve a 1/8" (3.2 mm) gap between panels and adjacent cabinets. For French door bottom mount and bottom mount models, align the outside edge of the refrigerator panel to the outside edge of the freezer panel on both the sides. For side by side models, align the refrigerator and freezer panels with adjacent cabinets.

NOTE: Adjust the panel not the door, if adjustments are needed to achieve alignment or required spacing.

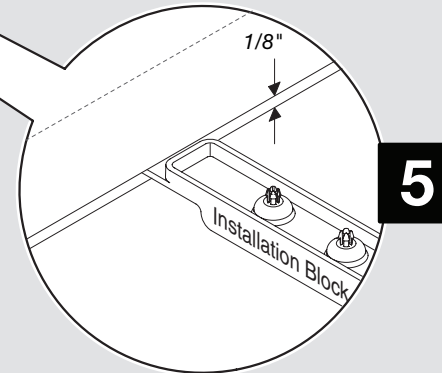
3. Tighten the panel bracket screws.

INSTALLATION

ADJUSTING REFRIGERATOR PANEL(S) (CONTD.)



A. Adjustment pin

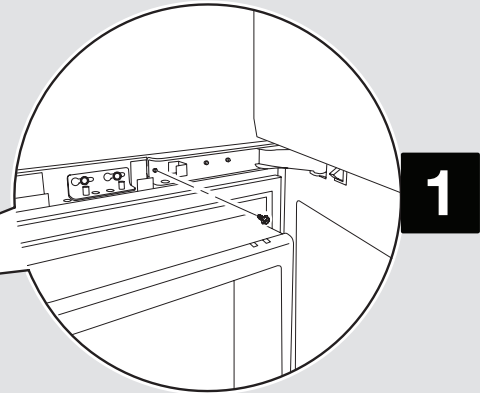
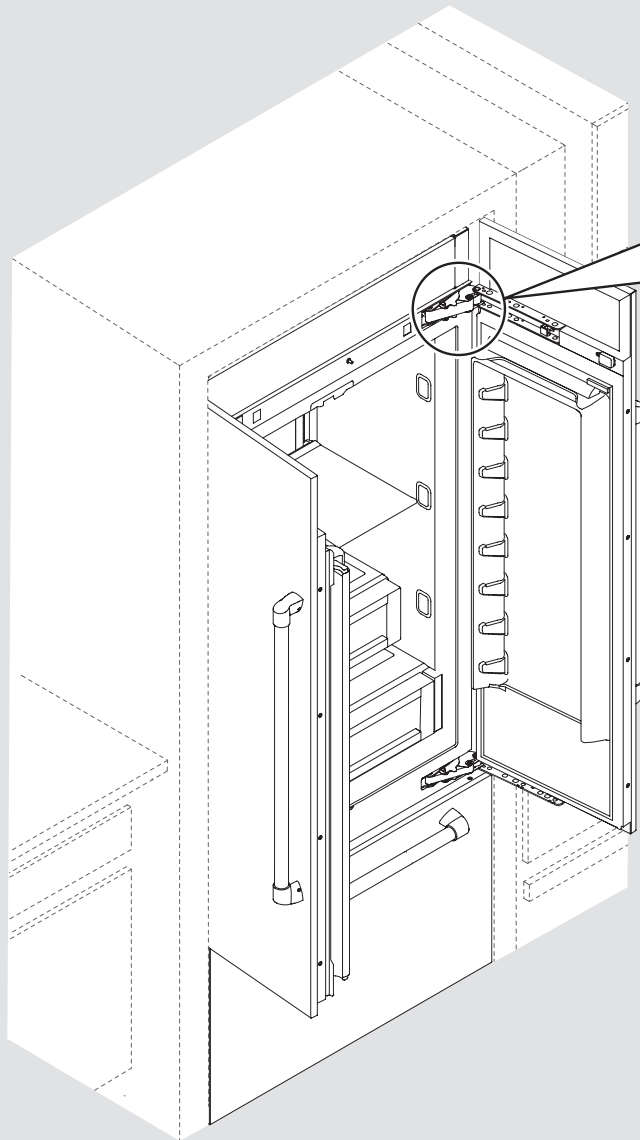


APPLIES TO:

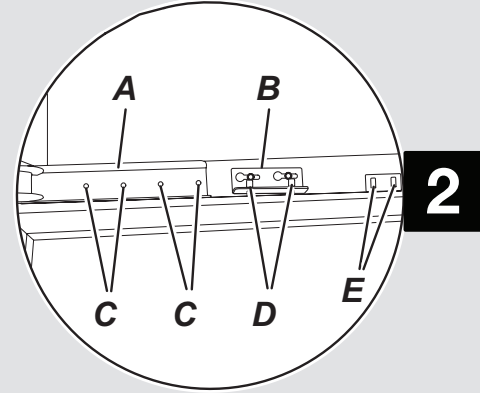
4. Use a 5/32" hex key to raise or lower the adjustment pins which allows the panel to move up or down.
5. A 1/8" (3.2 mm) space is required between panel(s) and bottom of the soffit.

INSTALLATION

ATTACHING PANEL(S)



1

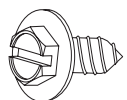


2

- A. Top hinge
- B. Mounting bracket
- C. Holes for screws
- D. Door adjustment pins
- E. Holes for screws (36" Bottom Mount models only)

APPLIES TO: 

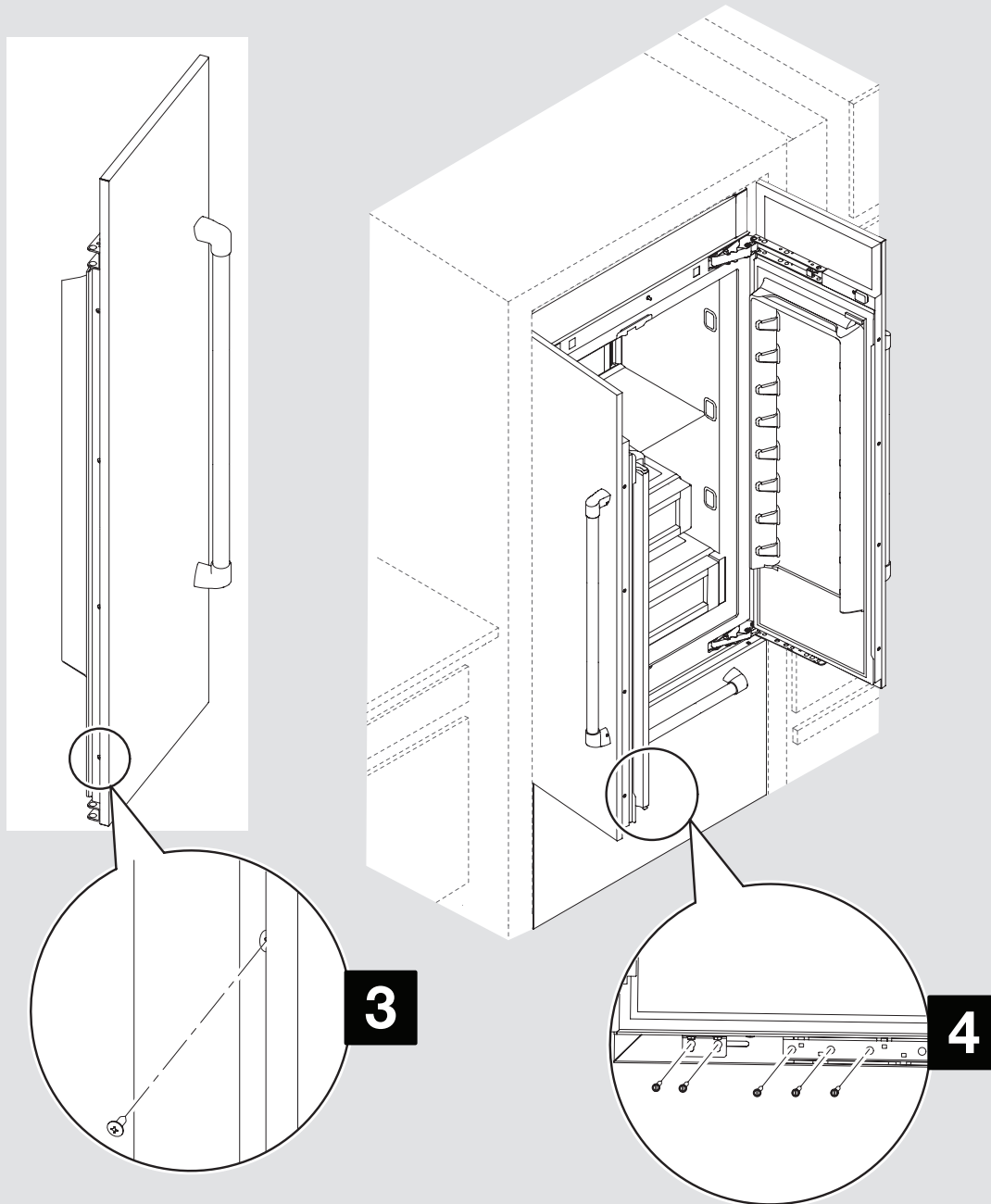
1. Using the slotted hex-head screws, fasten the top and bottom hinges to the door panels. Fully tighten all door panel screws.
NOTE: Do not overtighten the screws, it may strip the panel.
2. 36" Bottom Mount models only - Use the hex head screws to fasten the panel to the additional door bracket.

Parts to be used:	
	Slotted hex-head screws (As required)

INSTALLATION

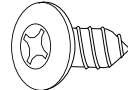

INSTALLATION

ATTACHING PANEL(S) (CONTD.)



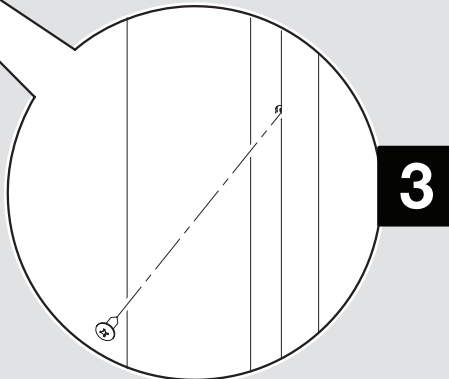
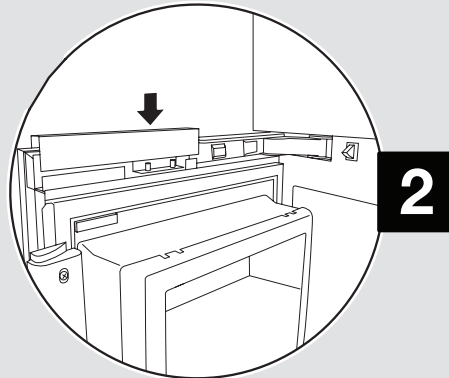
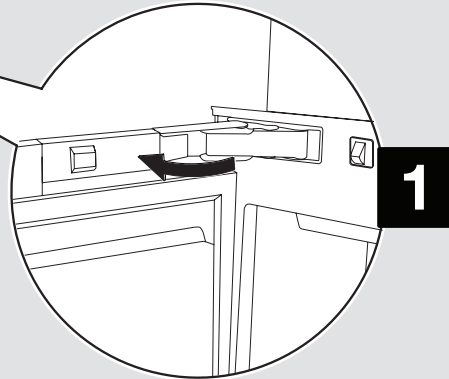
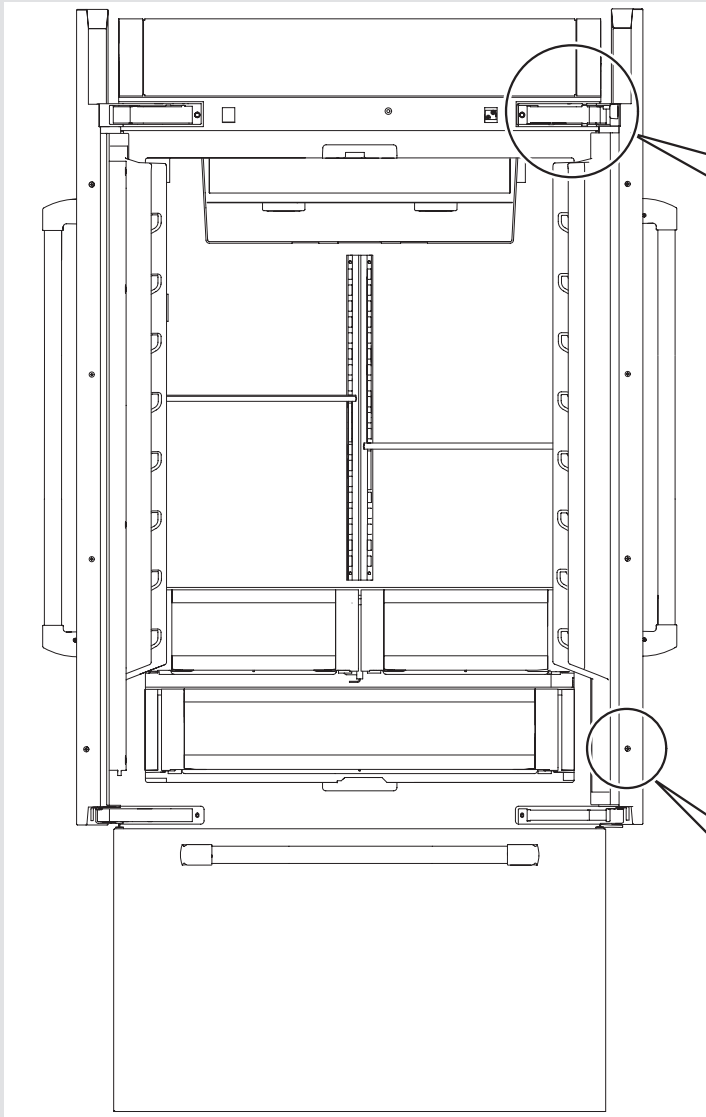
3. Use the Phillips-head screws to fasten the panel to the door on vertical hinge side.
4. Use slotted hex-head screws to attach the mounting bracket located at the bottom of the doors, to the door panels.

Parts to be used:

	Phillips-head screws (As required)
	Slotted hex-head screws (As required)

INSTALLATION

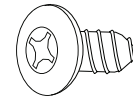
COMPLETING THE INSTALLATION



APPLIES TO: 

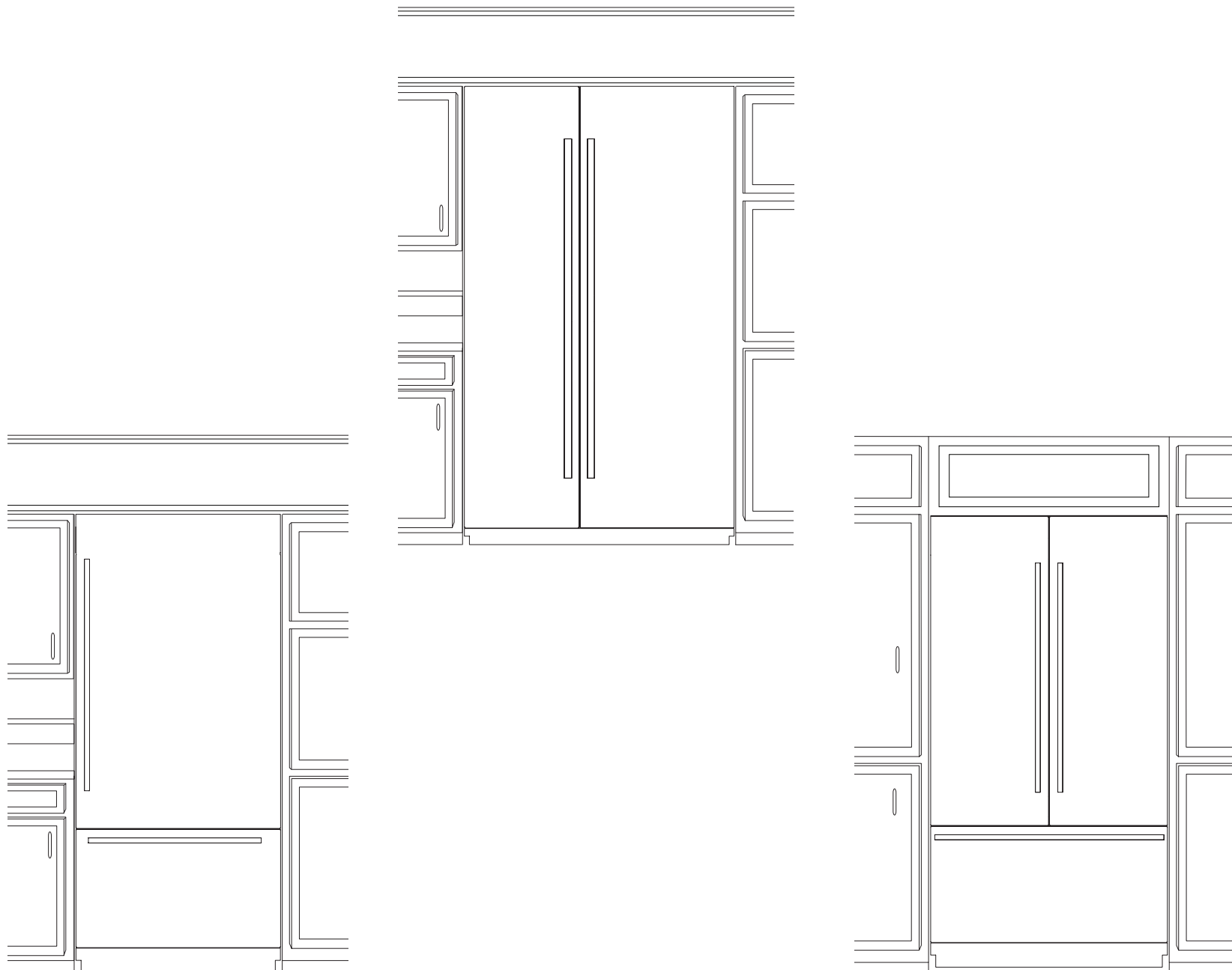
1. Reinstall hinge cover(s).
2. Snap the door adjustment pin cover(s) into place.
3. Using the Phillips-head screws, attach the handle side trim pieces (shipped with the refrigerator) to the doors.

Parts to be used:



Phillips-head screws
(As required)

ENSEMBLE DE PANNEAUX DE PORTE DE STYLE ARMOIRE POUR
RÉFRIGÉRATEUR ENCASTRÉ



Votre sécurité et celle des autres est très importante.

Nous donnons de nombreux messages de sécurité importants dans ce manuel et sur votre appareil ménager. Assurez-vous de toujours lire tous les messages de sécurité et de vous y conformer.



Voici le symbole d'alerte de sécurité.

Ce symbole d'alerte de sécurité vous signale les dangers potentiels de décès et de blessures graves à vous et à d'autres.

Tous les messages de sécurité suivront le symbole d'alerte de sécurité et le mot "DANGER" ou "AVERTISSEMENT". Ces mots signifient :

⚠ DANGER

Risque possible de décès ou de blessure grave si vous ne suivez pas immédiatement les instructions.

⚠ AVERTISSEMENT

Risque possible de décès ou de blessure grave si vous ne suivez pas les instructions.

Tous les messages de sécurité vous diront quel est le danger potentiel et vous disent comment réduire le risque de blessure et ce qui peut se produire en cas de non-respect des instructions.

INTRODUCTION

Sécurité	29
Enregistrement	30
Enregistrement de votre produit.....	30
Identification du produit	30

PRÉPARATION DU SITE

Avant l'installation	31
Outils et pièces nécessaires.....	31
Outils et pièces fournis.....	31
Pièces fournies avec le réfrigérateur	32
Exigences d'installation.....	33
Planification de l'installation.....	33
Exigences d'ouverture.....	33
Options d'installation de l'armoire et du panneau	33
Dimensions de l'ouverture à découper dans l'armoire.....	34
Exigences de circulation d'air	34
Dimensions du panneau.....	35
Panneau antibasculement secondaire	36

INSTALLATION

Installation du support de grille	37
Installation du séparateur d'air en mousse ...	38
Installation du panneau de grille.....	39
Marquer les emplacements du support supérieur pour panneau de porte.....	40
Installation des supports supérieurs et des rondelles à épaulement du panneau	41
Installation des supports du congélateur	42
Installation du panneau du congélateur	43
Installation des panneaux de porte	44
Déplacement du réfrigérateur à l'emplacement final	46
Ajuster l'ouverture de porte.....	47
Ajuster le panneau du congélateur.....	48
Ajuster les panneaux du réfrigérateur	49
Fixer les panneaux	51
Terminer l'installation.....	53

INTRODUCTION

ENREGISTREMENT

ENREGISTREMENT DE VOTRE PRODUIT

Accédez à notre service à la clientèle de niveau concierge en enregistrant votre appareil. Nous simplifions l'enregistrement des produits afin que vous puissiez commencer à utiliser vos avantages JennAir exclusifs aujourd'hui.

L'enregistrement de votre appareil vous permet de :

- **Rendre plus simple votre service de garantie**
Si nous disposons des informations sur votre produit, nous pouvons vous aider plus rapidement.
- **Protéger votre achat**
En cas de perte d'assurance, comme lors d'un incendie, d'une inondation ou d'un vol, l'enregistrement de votre produit pourrait servir de preuve d'achat.
- **Garder votre famille en sécurité.**
Nous vous informerons dans le cas rare d'une notification de sécurité.

Commencez à profiter de ces avantages aujourd'hui en vous connectant en ligne pour enregistrer votre produit au jennair.com/customer-care. Au Canada, enregistrer votre produit sur jennair.ca.

IDENTIFICATION DU PRODUIT

L'identification de votre produit, qui comprend le modèle et les numéros de série, figure sur la plaque signalétique du produit.

L'enregistrement des informations suivantes nous permet de vous aider plus facilement si votre appareil doit être réparé par un de nos fournisseurs de services agréés JennAir.

Numéro de modèle : _____

Numéro de série : _____

Date d'installation : _____

Marchand autorisé : _____

No de téléphone du marchand autorisé : _____

PRÉPARATION DU SITE AVANT L'INSTALLATION

L'ensemble de panneaux de porte de style armoire, destiné aux réfrigérateurs JennAir® totalement encastrés, est constitué de panneaux de portes comportant un panneau supérieur masqué pour une conception encastrée de grande qualité.

IMPORTANT :

- Ces instructions ne constituent qu'un guide général et ne peuvent en aucun cas être substituées aux prescriptions d'un code national ou local applicable. Avant d'entreprendre l'installation, on doit déterminer les critères de conformité de l'installation aux prescriptions de tout code national, provincial ou local.
- Ces instructions complètent les instructions d'installation fournies avec le réfrigérateur, mais ne les remplacent pas. Suivre les instructions fournies avec le réfrigérateur pour l'installer dans l'armoire.

REMARQUE : Le sachet de quincaillerie contient toutes les pièces et fixations nécessaires pour monter des panneaux. Un sachet de quincaillerie est fourni avec le réfrigérateur. Il se trouve dans l'un des bacs à légumes ou est fixé à l'extérieur de l'une des portes du réfrigérateur.

▲ MISE EN GARDE

Risque de pincement

L'installation de panneaux de porte avec un espacement de moins de 3/8 po (0,95 cm) entre le panneau de porte et l'armoire adjacente augmente le risque de pincement.

OUTILS ET PIÈCES NÉCESSAIRES

Réunir les outils et pièces nécessaires avant de commencer l'installation. Lire et suivre les instructions fournies avec chacun des outils mentionnés dans cette liste. C'est à l'utilisateur qu'incombe la responsabilité de réaliser une installation correcte.

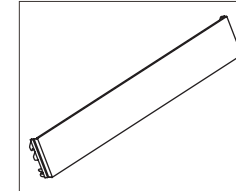
Outils requis :

- Perceuse sans fil et forets
- Clés plates de 3/8" et 1/2" ou deux clés à molette
- Tournevis cruciforme
- Petit niveau
- Chariot pour appareil ménager
- Clés hexagonales de 3/32", 5/32" et 3/16"
- Tournevis à douille de 1/4" et 5/16"
- Prolongateur de tournevis à douille de 6"
- Ruban à mesurer

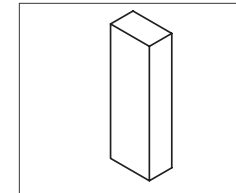
OUTILS ET PIÈCES FOURNIS

Pièces fournies avec l'ensemble de panneaux :

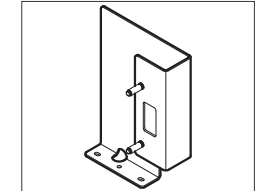
■ Instructions



Panneau de la grille
W11215146
(pour modèles de 36")
W11215148
(pour modèles de 42")
W11215150
(pour modèles de 48")



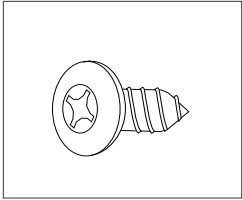
Séparateur d'air en mousse
W11239303



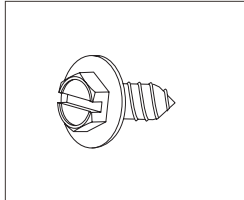
Support de grille
W11215152 (côté droit)
W11215154 (côté gauche)

PRÉPARATION DU SITE AVANT L'INSTALLATION (SUITE)

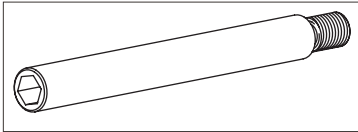
Pièces fournies avec le réfrigérateur
(utilisées pour l'installation d'armoire) :



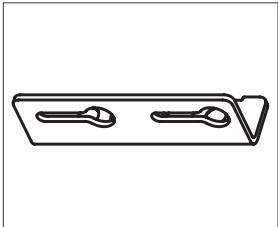
**Vis à tête plate
cruiforme**
noire : 8281252



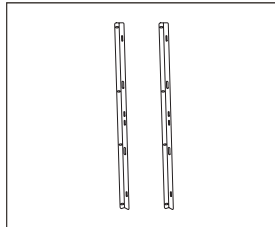
**Vis à tête hexagonale
fendue**
W10141645



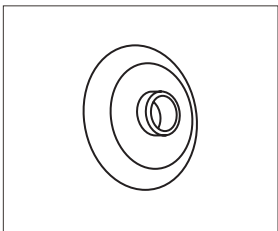
Goupille de butée
W10234202



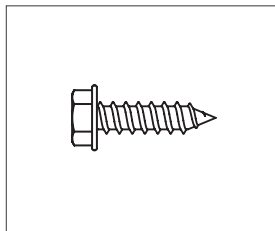
**Supports supérieurs
pour panneau**
noirs : W10667450



**Supports de panneau
du congélateur**
W10606815



Rondelle à épaulement
W10471946

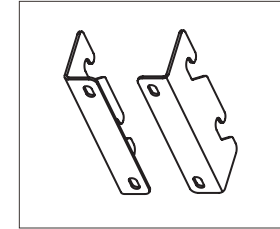


**Vis pointue à tête
hexagonale**
W10141189

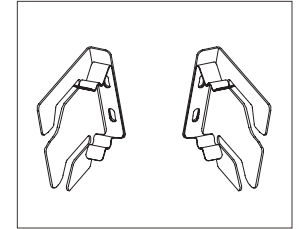
- Matériel de montage
- Garniture de couvre-charnière
(compartiment réfrigération et congélation)
- Garniture latérale
- Garniture de porte du côté poignée
- Cale d'installation
- Gabarits de panneaux

PIÈCES FOURNIES AVEC LE RÉFRIGÉRATEUR

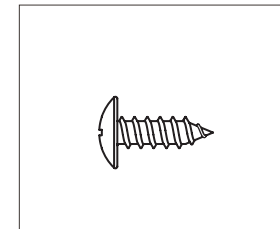
Les pièces suivantes ne sont pas nécessaires pour monter les panneaux de cet ensemble ou sont déjà montées sur les panneaux. Ces pièces peuvent être mises au rebut une fois l'installation terminée :



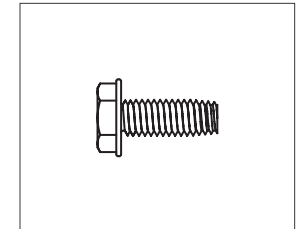
**Support de grille
standard**
W10182743 (gauche)
W10172741 (droit)



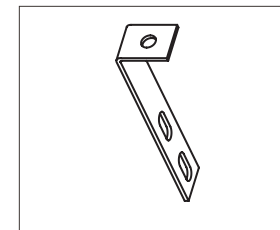
**Support de grille
intégrée**
W10260890 (gauche)
W10260891 (droit)



Vis à tête bombée
1163283



vis à tête hexagonale
W10142233



Supports en "L"
W10234199

PRÉPARATION DU SITE

EXIGENCES D'INSTALLATION

PLANIFICATION DE L'INSTALLATION

IMPORTANT :

- Installer les poignées sur les panneaux avant l'installation du panneau. Suivre les instructions reçues avec la trousse de poignée pour installer les poignées.
- Planifier l'installation à l'aide de ces instructions, accompagnées des instructions d'installation fournies avec le réfrigérateur. Des modifications doivent être apportées au réfrigérateur pour accueillir les panneaux de porte de style armoire.

Pièces nécessaires

- L'un des modèles de réfrigérateur encastré suivant :

Côte à côte de 42" : JBSFS42NMX

Côte à côte de 48" : JBSFS48NMX

Réfrigérateur de 36" avec congélateur en bas : JB36NFXLE, JB36NFXRE

Réfrigérateur de 36" avec congélateur en bas et porte à double battant : JF36NFXDE

Réfrigérateur de 42" avec congélateur en bas et porte à double battant : JF42NFXDE

- Ensemble de panneaux de porte de style armoire, qui contient la grille et l'ensemble de supports de grille
 - Panneaux personnalisés
- REMARQUE :** L'épaisseur nécessaire pour tous les panneaux est de 3/4" (1,91 cm).

EXIGENCES D'OUVERTURE

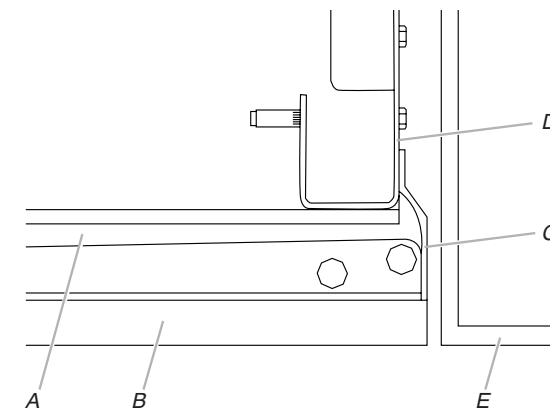
IMPORTANT :

- La largeur de l'ouverture d'encastrement d'un côté à l'autre doit être telle que spécifiée par le modèle concerné, pour au moins 3" (7,62 cm) en retrait de l'avant du meuble. Si l'ouverture d'encastrement ne respecte pas cette condition, des modifications devront être apportées.
- La profondeur de l'ouverture de l'avant du meuble jusqu'au mur arrière doit être de 25" (63,5 cm) au moins pour une installation en affleurement.

OPTIONS D'INSTALLATION DE L'ARMOIRE ET DU PANNEAU

Profondeur de l'armoire – 25" (63,5 cm)

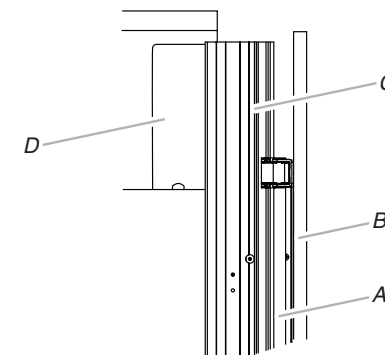
Support de grille – vue de dessus



A. Porte du réfrigérateur
B. Panneau de porte de style armoire

C. Garniture latérale
D. Support de grille
E. Armoire adjacente

Support de grille – vue de côté



A. Porte du réfrigérateur
B. Panneau de porte de style armoire

C. Garniture latérale
D. Support de grille

PRÉPARATION DU SITE

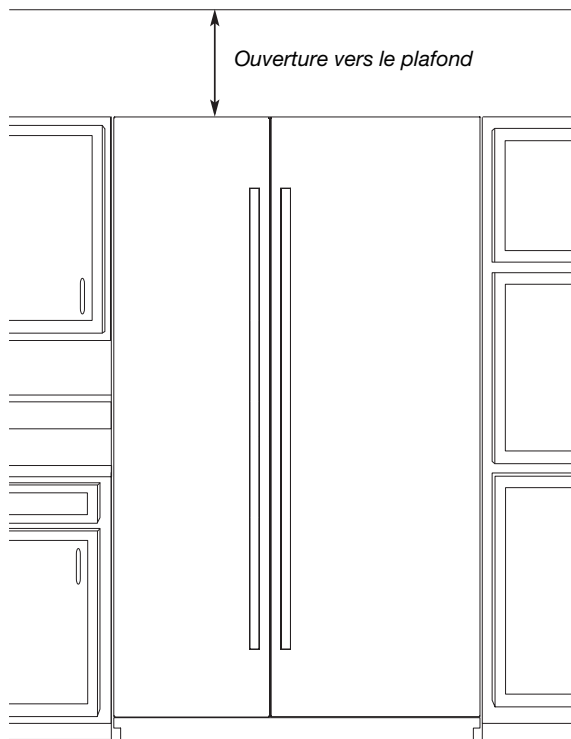
DIMENSIONS DE L'OUVERTURE À DÉCOUPER DANS L'ARMOIRE

EXIGENCES DE CIRCULATION D'AIR

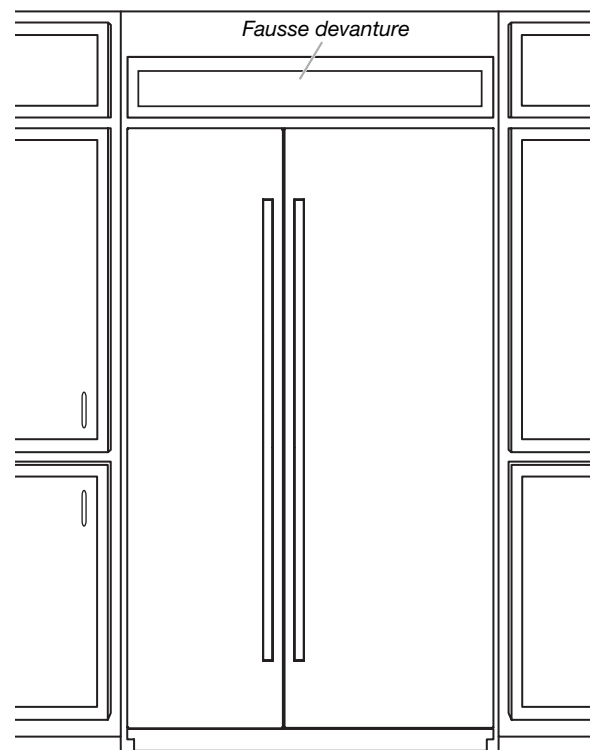
IMPORTANT :

- Les installations de panneaux de porte de style armoire nécessitent un dégagement minimum de 1/8" (3,2 mm) au-dessus du réfrigérateur. Cet espace ne devrait pas être bloqué, notamment par d'éventuels soffites.
- Les modèles peuvent être installés en utilisant l'option1, 2 ou 3.

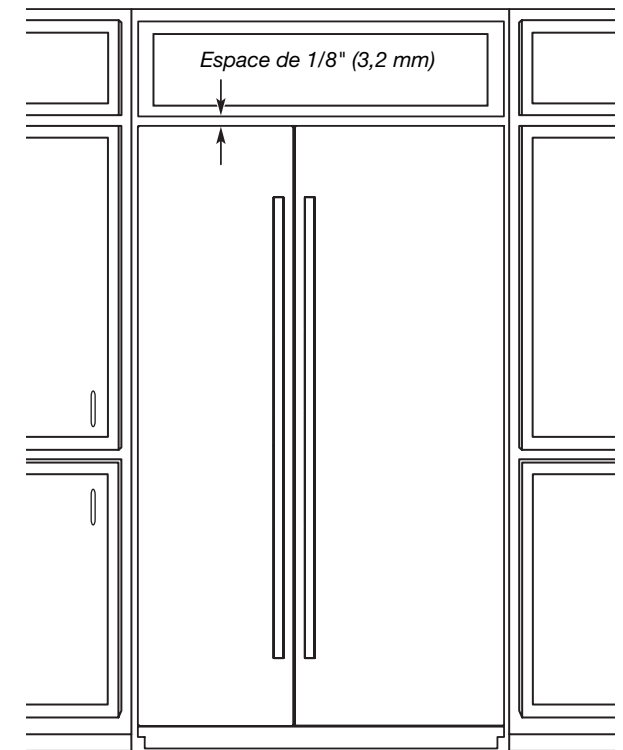
Option 1 – Ouverture vers le plafond



Option 2 – Avant décoratif
(façade de meuble uniquement)



Option 3 – Soffite fermé

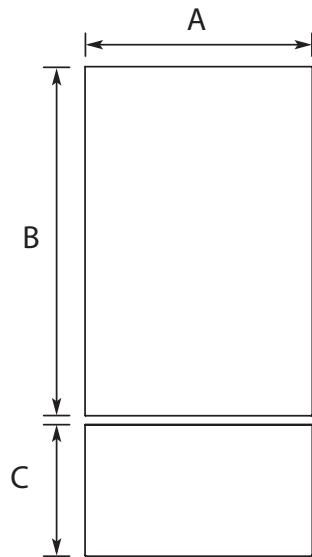


PRÉPARATION DU SITE

DIMENSIONS DU PANNEAU

MODÈLE AVEC CONGÉLATEUR SUPERPOSÉ

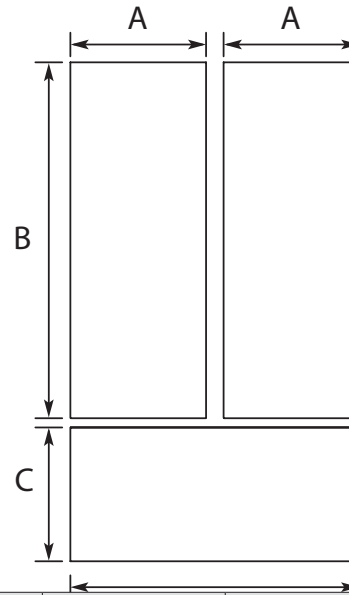
- ! Poids maximum autorisés :
- Panneau de porte – 60 lb (27,2 kg)
 - Panneau de tiroir – 25 lb (11,3 kg)



Légende	Modèle	Dimension
A	36"	35 3/4" (90,81 cm)
B	36"	59 1/8" (150,2 cm)
C	36"	20 1/2" (52,07 cm)

MODÈLES DE RÉFRIGÉRATEUR AVEC CONGÉLATEUR EN BAS ET PORTE À DOUBLE BATTANT

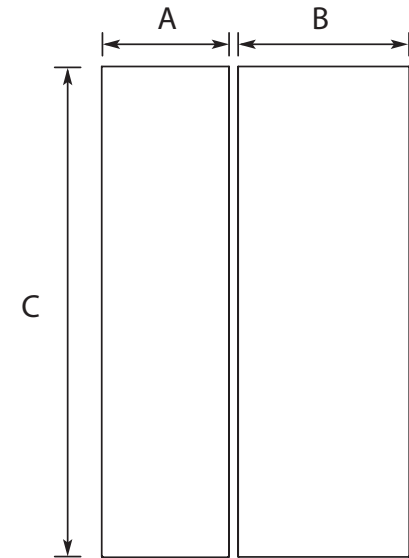
- ! Poids maximum autorisés :
- Panneau de porte – 38 lb (17,2 kg)
 - Panneau de tiroir – (modèle de 36") – 25 lb (11,3 kg)
 - Panneau de tiroir – (modèle de 42") – 30 lb (13,6 kg)



Légende	Modèle	Dimension
A	36"	17 3/4" (45,24 cm)
B		59 1/8" (150,2 cm)
C		20 1/2" (52,07 cm)
D		35 3/4" (90,81 cm)
A	42"	20 3/4" (52,86 cm)
B		59 1/8" (150,2 cm)
C		20 1/2" (52,07 cm)
D		41 3/4" (106,05 cm)

MODÈLES CÔTE À CÔTE

- ! Poids maximum autorisés (modèles de 42") :
- Panneau de porte du réfrigérateur – 65 lb (29,5 kg)
 - Panneau de porte du congélateur – 49 lb (22,2 kg)
- Poids maximum autorisés (modèles de 48") :
- Panneau de porte du réfrigérateur – 66 lb (29,9 kg)
 - Panneau de porte du congélateur – 50 lb (23 kg)



Légende	Modèle	Dimension
A	42"	17 3/4" (45,24 cm)
B		23 3/4" (60,48 cm)
C		81" (205,7 cm)
A	48"	20 1/4" (51,59 cm)
B		27 1/4" (69,37 cm)
C		81" (205,7 cm)

PRÉPARATION DU SITE

PANNEAU ANTIBASCULEMENT SECONDAIRE

⚠ AVERTISSEMENT



Risque de basculement

Le réfrigérateur est lourd au sommet et bascule facilement lorsqu'il n'est pas complètement installé.

Installer le panneau antibasculement secondaire pour assurer la stabilité du produit.

Utiliser deux ou plus de personnes pour déplacer et installer le réfrigérateur.

Le non-respect de ces instructions peut causer un décès ou une blessure grave.

IMPORTANT :

- Pour toutes les installations de panneaux de porte de style armoire, le panneau antibasculement secondaire doit être installé avant le panneau de porte.
- Ce panneau antibasculement doit être fixé sur le côté droit de l'ouverture dans l'armoire selon les dimensions indiquées dans l'illustration.

REMARQUE : Le panneau antibasculement est requis, il s'ajoute au panneau antibasculement du mur arrière (pour les installations avec ouverture vers le plafond) décrit dans les instructions d'installation incluses avec ce réfrigérateur.

- Fixer le panneau antibasculement secondaire pour que la surface du bas du panneau antibasculement secondaire soit à $75 \frac{1}{2}$ " (191,77 cm) du plancher (côté droit).

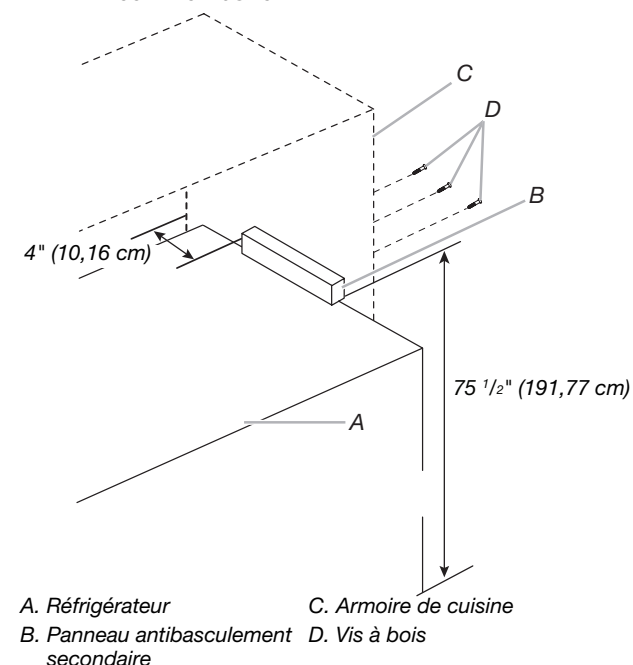
- Les panneaux antibasculement principaux pour les installations avec ouverture vers le plafond sont fixés à 84" (213,36 cm) du plancher (côté arrière).
- Pendant l'installation d'un panneau, soulever le réfrigérateur jusqu'à ce que le haut du réfrigérateur soit en contact avec le bas du panneau antibasculement secondaire.

INSTALLATION DU PANNEAU ANTIBASCULEMENT SECONDAIRE

1. Marque l'emplacement des montants sur le mur de l'armoire de droite.
2. Fixer de façon sécuritaire un panneau de $2" \times 4" \times 12"$ (5 cm x 10 cm x 30,4 cm) à l'armoire de droite en utilisant des vis à bois. Utiliser 3 vis à bois n° 8 x 2" (5,08 cm) ou plus longues.

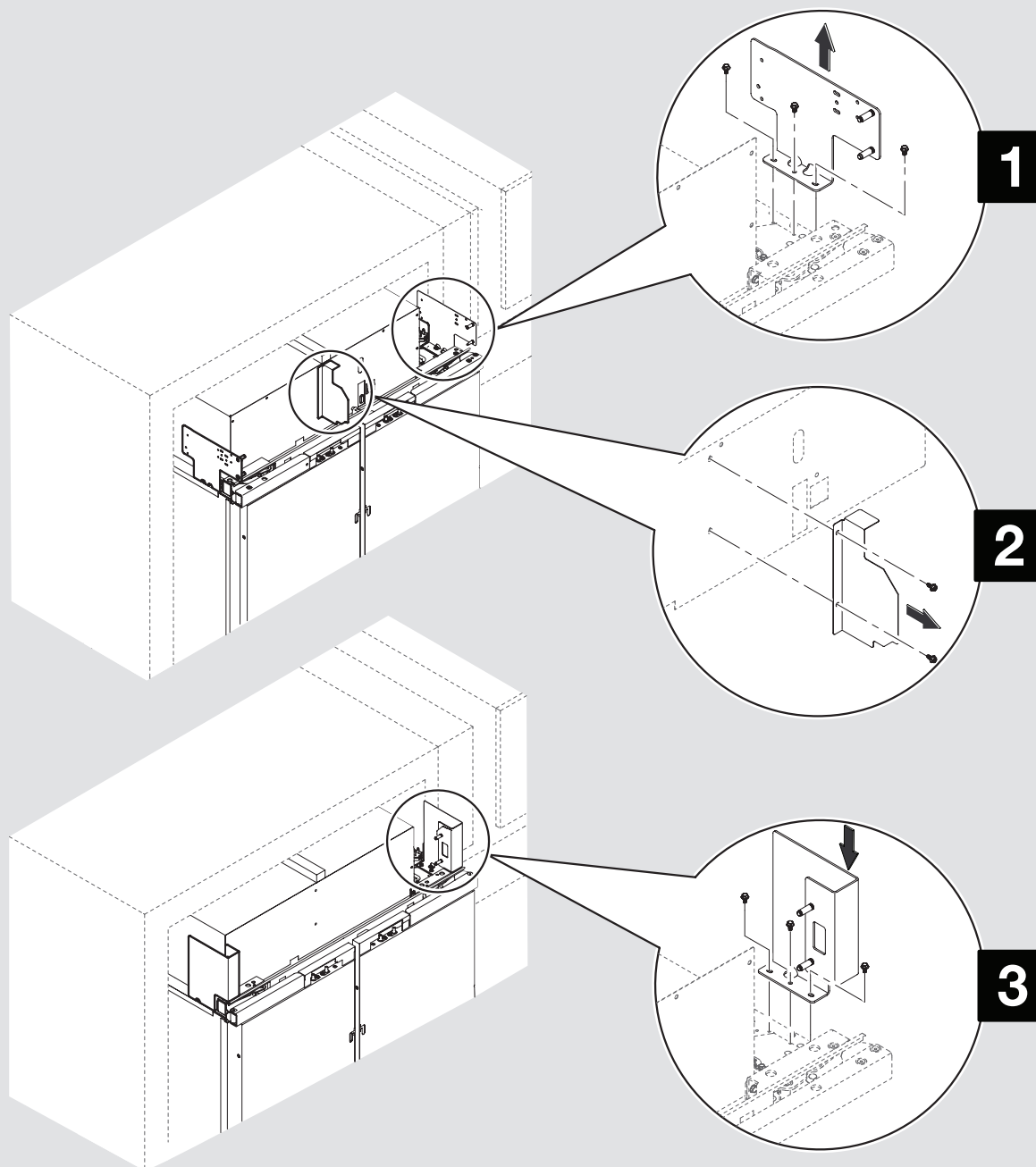
REMARQUE :

- Il est recommandé de visser les vis à bois à partir de la paroi de l'armoire vers le panneau antibasculement secondaire comme illustré.
- Le panneau doit chevaucher de 1" (2,54 cm) le haut du réfrigérateur.
- Laisser 4" (10,16 cm) d'espace à l'arrière comme illustré.



INSTALLATION

INSTALLER LE SUPPORT DE GRILLE



INSTALLATION POUR :

⚠ AVERTISSEMENT

Risque du poids excessif

Utiliser deux ou plus de personnes pour déplacer et installer le réfrigérateur.

Le non-respect de cette instruction peut causer une blessure au dos ou d'autre blessure.

REMARQUE : Si le réfrigérateur n'est pas sur roulettes, il est recommandé d'abaisser le produit pour avoir un meilleur accès au haut de l'appareil pendant l'installation du panneau. Pour faciliter l'installation de la grille, il est recommandé de sortir le produit de l'armoire, mais pas plus de 8" (20,32 cm).

1. Retirer les trois vis fixant chaque plaque de montage au haut du réfrigérateur sur chaque côté. Jeter les plaques de montage, mais conserver les vis pour fixer les deux supports de grille fournis dans cet ensemble.
2. Retirer les deux vis fixant le séparateur d'air au compartiment de l'appareil. Jeter les séparateurs d'air et replacer les vis dans les trous respectifs.
3. Aligner les trois trous de l'assemblage de supports de grille avec les trois trous du côté de l'armoire, comme indiqué. Utiliser les vis retirées à l'étape 1 et fixer le support de grille.
4. Répéter l'étape 3 pour installer l'autre support de grille sur le côté opposé du réfrigérateur.

IMPORTANT : Installer les panneaux de porte de style armoire avant d'enlever les deux supports de grille déjà en place peut endommager les panneaux.

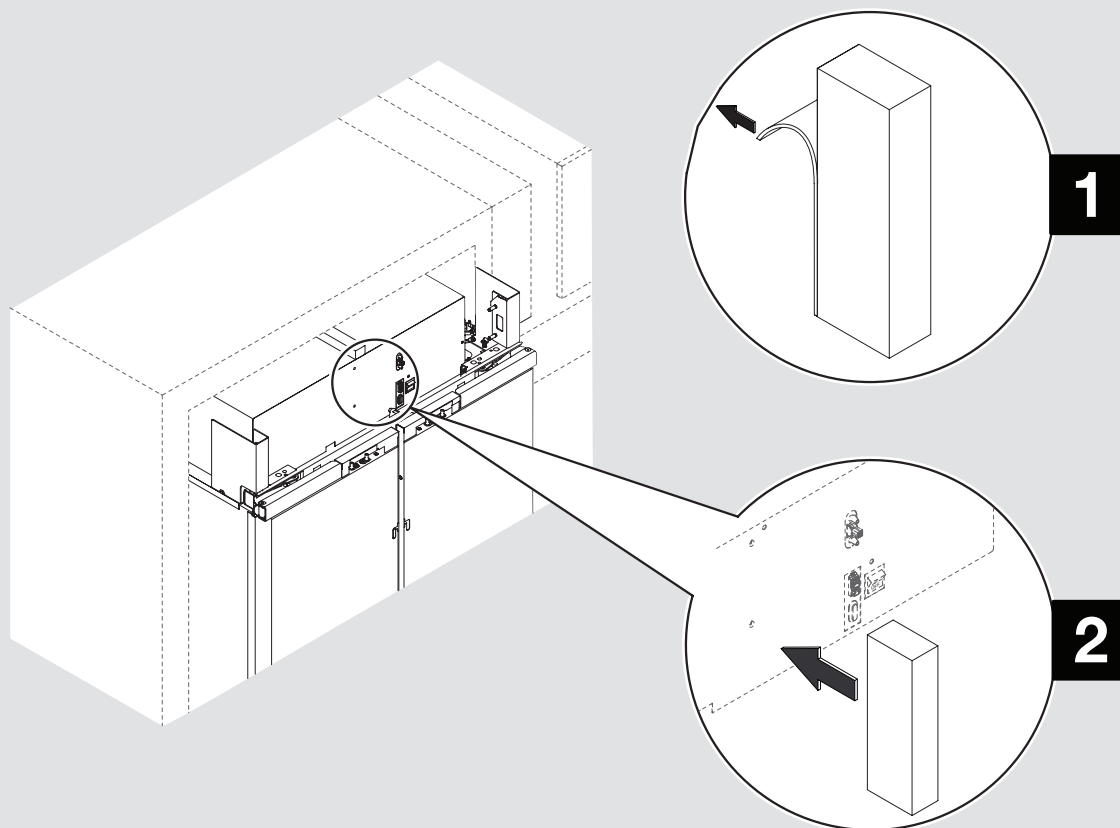
Pièces à utiliser :



2 supports de grille

INSTALLATION

INSTALLATION DU SÉPARATEUR D'AIR EN MOUSSE



! Aligner la base du séparateur d'air en mousse avec la base du logement de l'appareil

INSTALLATION POUR :

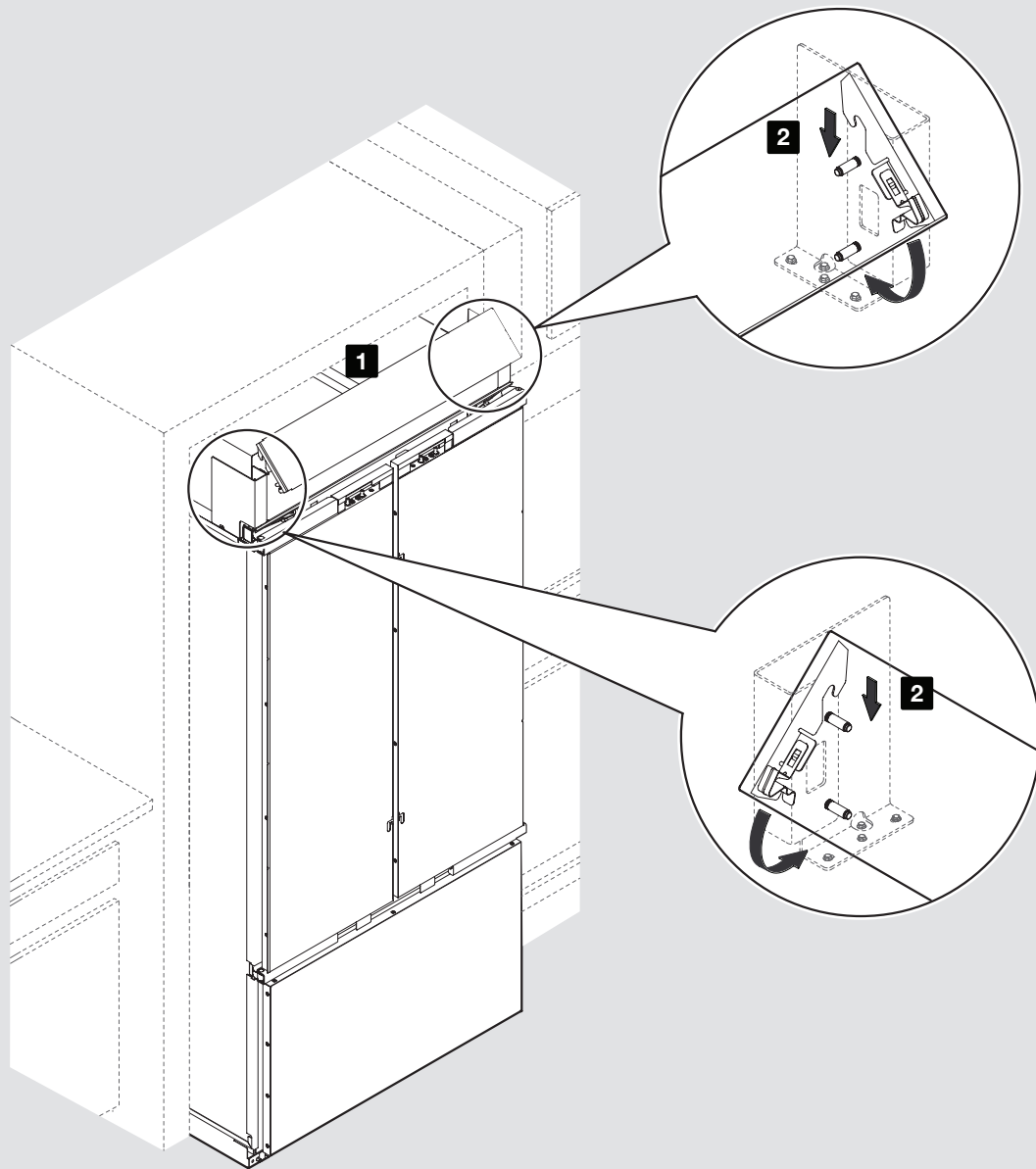
1. Enlever le protecteur en papier du séparateur d'air en mousse pour mettre à nu la pellicule collante.
2. Coller le séparateur d'air en mousse au compartiment de l'appareil où le séparateur d'air en métal était installé en appliquant une pression uniforme.

Pièces à utiliser :

	1 séparateur d'air en mousse
--	------------------------------

INSTALLATION

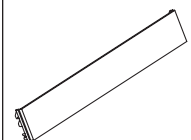
INSTALLATION DU PANNEAU DE GRILLE



INSTALLATION POUR : 

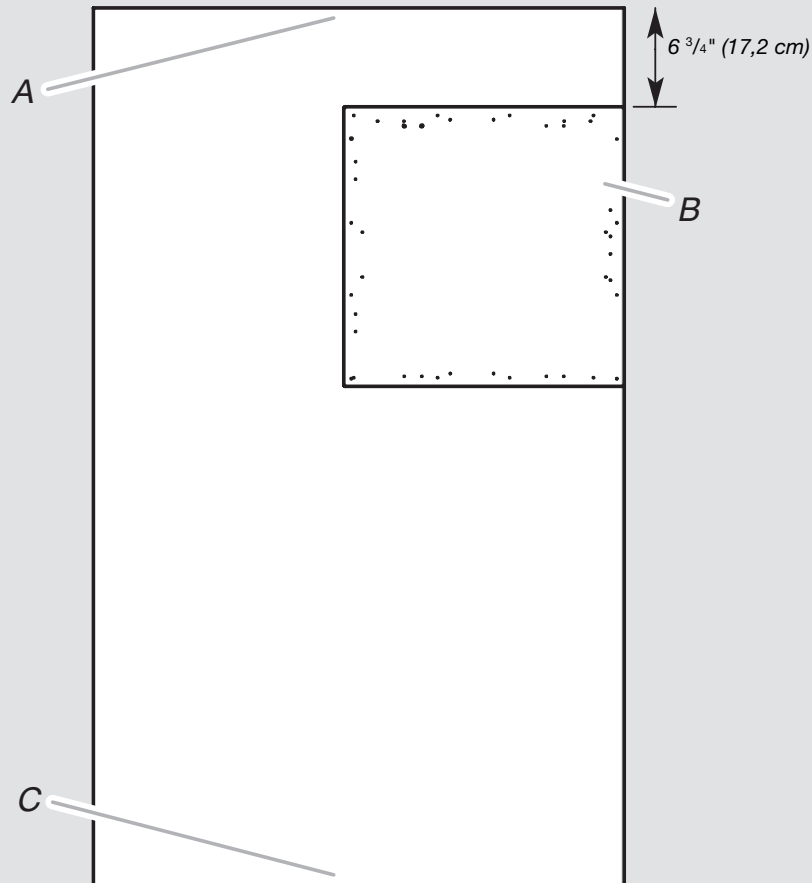
1. Positionner le panneau de grille entre les supports de grille situés de chaque côté de l'armoire.
2. Accrocher le haut de la grille sur les rivets-goupilles. Faire tourner vers le bas et pousser le bas du panneau de la grille dans l'appareil jusqu'à ce que le panneau de la grille s'emboîte.

REMARQUE : Pour enlever le panneau de la grille, pousser le haut du panneau de la grille vers l'intérieur jusqu'à ce que la partie inférieure se déboîte. Faire tourner et soulever le panneau de la grille.

Pièces à utiliser :	
	1 panneau de la grille

INSTALLATION

INSTALLATION MARQUER LES EMPLACEMENTS DES SUPPORTS SUPÉRIEURS DES PANNEAUX



A. Haut du panneau de porte personnalisé du réfrigérateur

B. Gabarit de perçage

C. Bas du panneau de porte personnalisé du réfrigérateur

INSTALLATION POUR : 

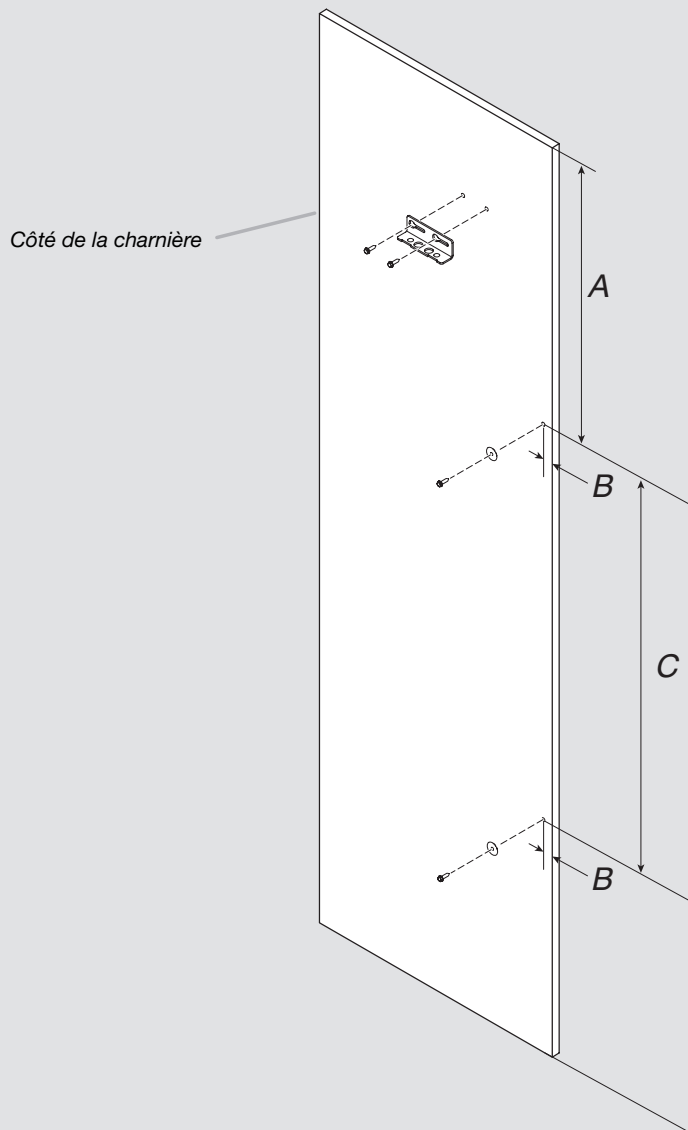
IMPORTANT : Pour une installation en armoire, au lieu de percer des trous le long du bord supérieur des panneaux, le gabarit de perçage (fournies avec le réfrigérateur) doit être placé correctement.

REMARQUES :

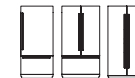
- Aucun ajustement du gabarit n'est nécessaire pour le bord inférieur des panneaux de porte.
 - Aucun ajustement du gabarit n'est nécessaire pour le panneau du tiroir de congélateur personnalisé.
1. Aligner le gabarit de perçage sur l'arrière du panneau de porte personnalisé, de sorte que le haut du gabarit soit décalé de $6 \frac{3}{4}$ " (17,2 cm) du haut du panneau de la porte du réfrigérateur.
REMARQUE : Le seul dénivelé est celui de $6 \frac{3}{4}$ " (17,2 cm) à partir du sommet du panneau de porte.
 2. Continuer à utiliser le gabarit comme vous le feriez normalement, le long du bas et du côté poignée du panneau de porte.

INSTALLATION

INSTALLATION DES SUPPORTS ET DES RONDELLES À ÉPAULEMENT DU PANNEAU



INSTALLATION POUR :



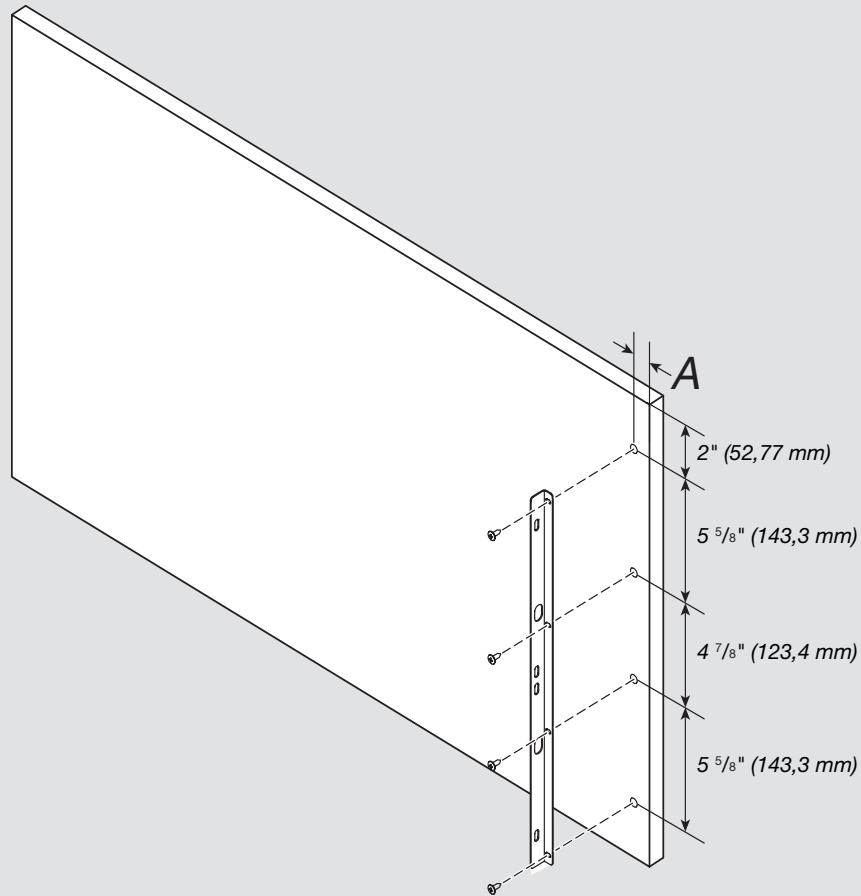
1. Fixer le support supérieur du panneau de porte du réfrigérateur/congélateur au panneau de porte personnalisé en bois au moyen de vis pointues à tête hexagonale (2) aux emplacements de vis marqués (voir la section "Marquer les emplacements des supports supérieurs des panneaux").
2. Pour marquer l'emplacement des rondelles à épaulement, mesurer 'A' du haut du panneau, mesurer 'B' du côté du panneau. Marquer l'emplacement des trous comme indiqué à la figure. Consulter le tableau 1 pour connaître les dimensions de 'A', 'B' et 'C' selon le modèle.
3. Fixer la rondelle à épaulement sur le panneau de porte personnalisé en bois au moyen de vis pointues à tête hexagonale (2) aux emplacements de vis marqués à l'étape 2.
REMARQUE : Ne pas visser les vis à fond afin de permettre un dégagement suffisant pour que la rondelle à épaulement puisse être insérée dans la fente en J située sur la porte.
4. Pour les modèles avec porte double et congélateur en bas, répéter les étapes 1 à 3 pour installer les supports et les rondelles à épaulement du panneau sur l'autre porte.

Tableau 1 – Emplacements des rondelles à épaulement

Modèle	A	B	C
Réfrigérateur de 36" avec congélateur en bas	18 ⁵ / ₁₆ " (465,5 mm)	1 ³ / ₁₆ " (30,3 mm)	30 ¹ / ₂ " (774 mm)
Porte à double battant de 36" / 42"	18 ⁵ / ₁₆ " (465,5 mm)	7/8" (21,75 mm)	30 ¹ / ₂ " (774 mm)
Côte à côte de 42" / 48"	23" (583,5 mm)	13/16" (20,6 mm)	42 ⁵ / ₁₆ " (1075 mm)

INSTALLATION

INSTALLATION DES SUPPORTS DU CONGÉLATEUR



! POUR LES MODÈLES CÔTE À CÔTE – PASSER CETTE ÉTAPE

INSTALLATION POUR :



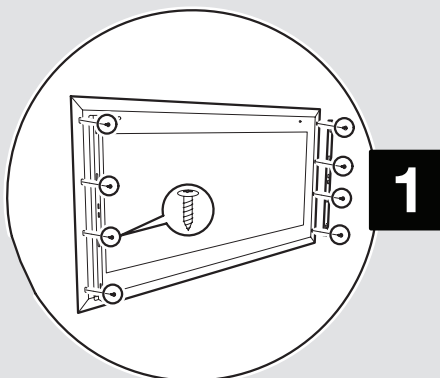
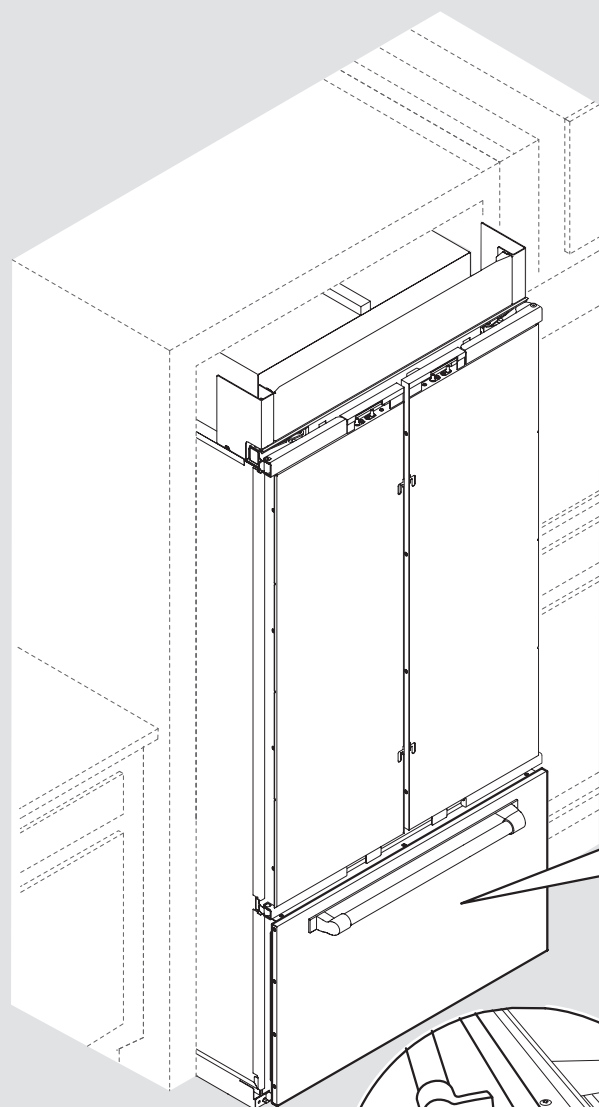
1. Pour marquer l'emplacement des vis du support du congélateur, mesurer 'A' à partir du haut du panneau. Marquer l'emplacement des trous comme indiqué à la figure. Consulter le tableau 2 pour connaître les dimensions de 'A' selon le modèle.
2. Fixer le support de congélateur au panneau de tiroir en bois personnalisé aux emplacements de vis marqués à l'étape 1.
3. Répéter les étapes 1 et 2 pour fixer le support de congélateur pour l'autre côté.

Tableau 2 – Emplacements des supports du congélateur

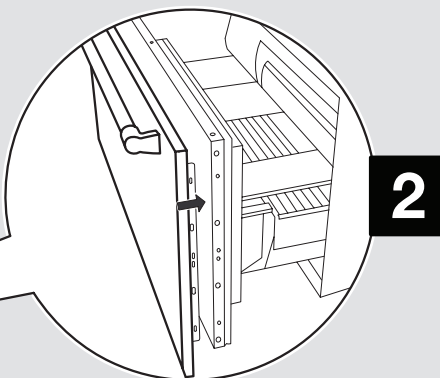
Modèle	'A'
Porte à double battant et congélateur en bas de 36"	1/2" (12,85 mm)
Porte à double battant de 42"	9/16" (14,43 mm)

INSTALLATION

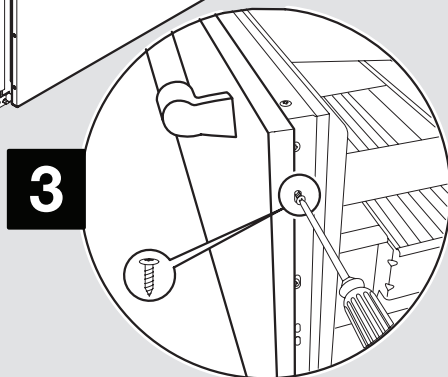
INSTALLATION DU PANNEAU DE CONGÉLATEUR



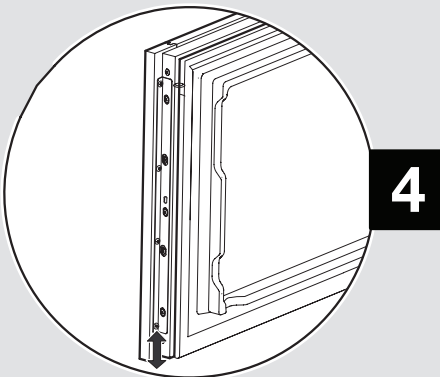
1



2



3



4

! POUR LES MODÈLES CÔTE À CÔTE – PASSER CETTE ÉTAPE

INSTALLATION POUR :

1. Desserrer légèrement les vis de support du panneau du congélateur.
REMARQUE : S'assurer que les portes du réfrigérateur sont bien fermées.
2. Glisser le panneau sur le tiroir. Serrer les quatre vis de chaque côté pour fixer le support au panneau du tiroir.
3. À l'aide des vis plates à tête cruciforme, fixer les supports du panneau au tiroir.
4. Pour l'ajustement ultérieur du panneau, ne pas serrer complètement les vis qui maintiennent le support au tiroir.

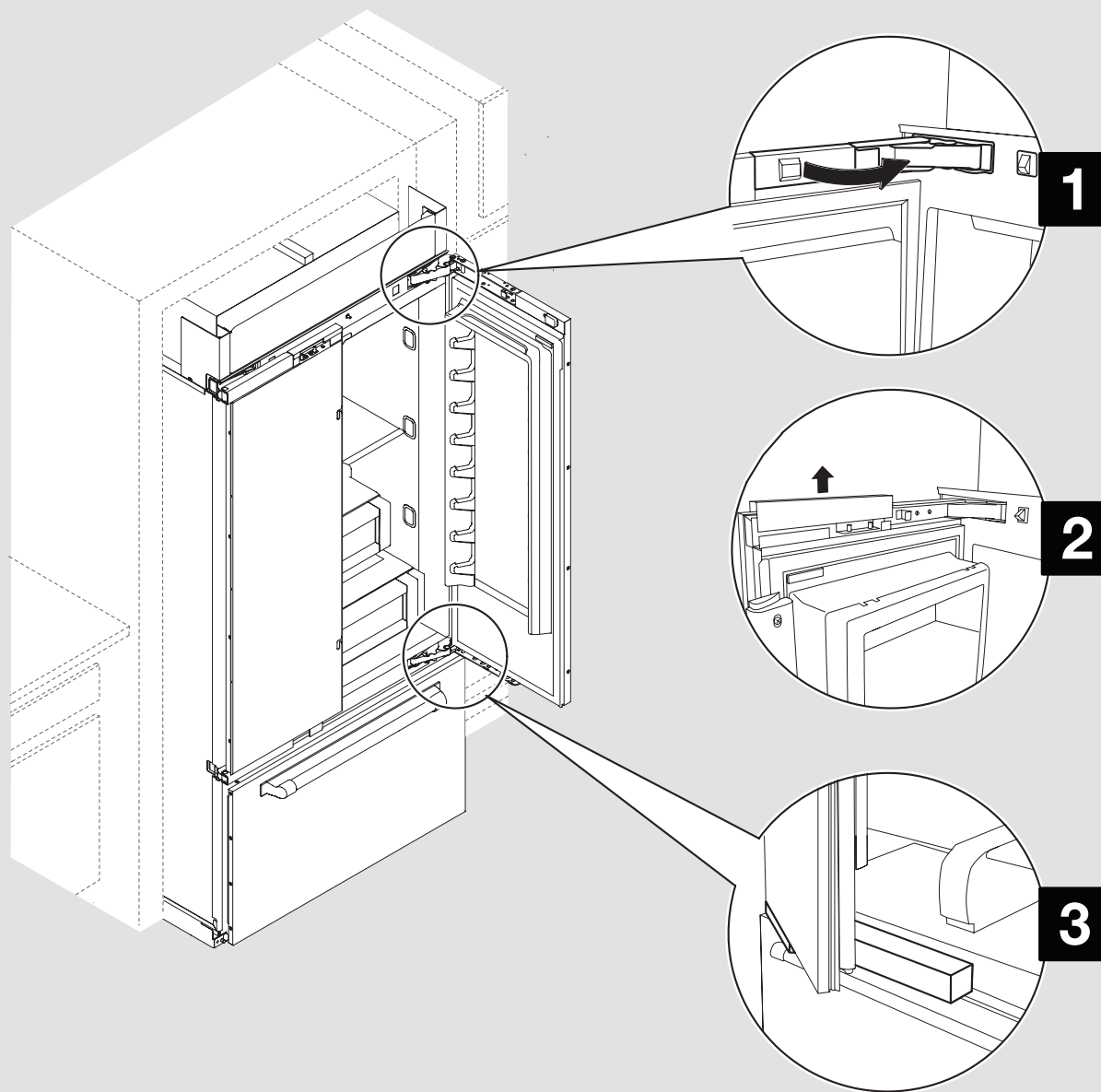
IMPORTANT : Une fois l'installation de tous les panneaux terminée, vérifier l'alignement. Le panneau du tiroir peut être monté ou descendu pour rectifier l'alignement. Ne serrer entièrement les vis qu'une fois les panneaux parfaitement alignés.

Pièces à utiliser :	
	6 vis cruciformes

INSTALLATION

INSTALLATION

INSTALLATION DES PANNEAUX DE PORTE



INSTALLATION POUR :

⚠ AVERTISSEMENT



Risque de basculement

Le réfrigérateur est lourd au sommet et bascule facilement lorsqu'il n'est pas complètement installé.

Installer le panneau antibasculement secondaire pour assurer la stabilité du produit.

Utiliser deux ou plus de personnes pour déplacer et installer le réfrigérateur.

Le non-respect de ces instructions peut causer un décès ou une blessure grave.

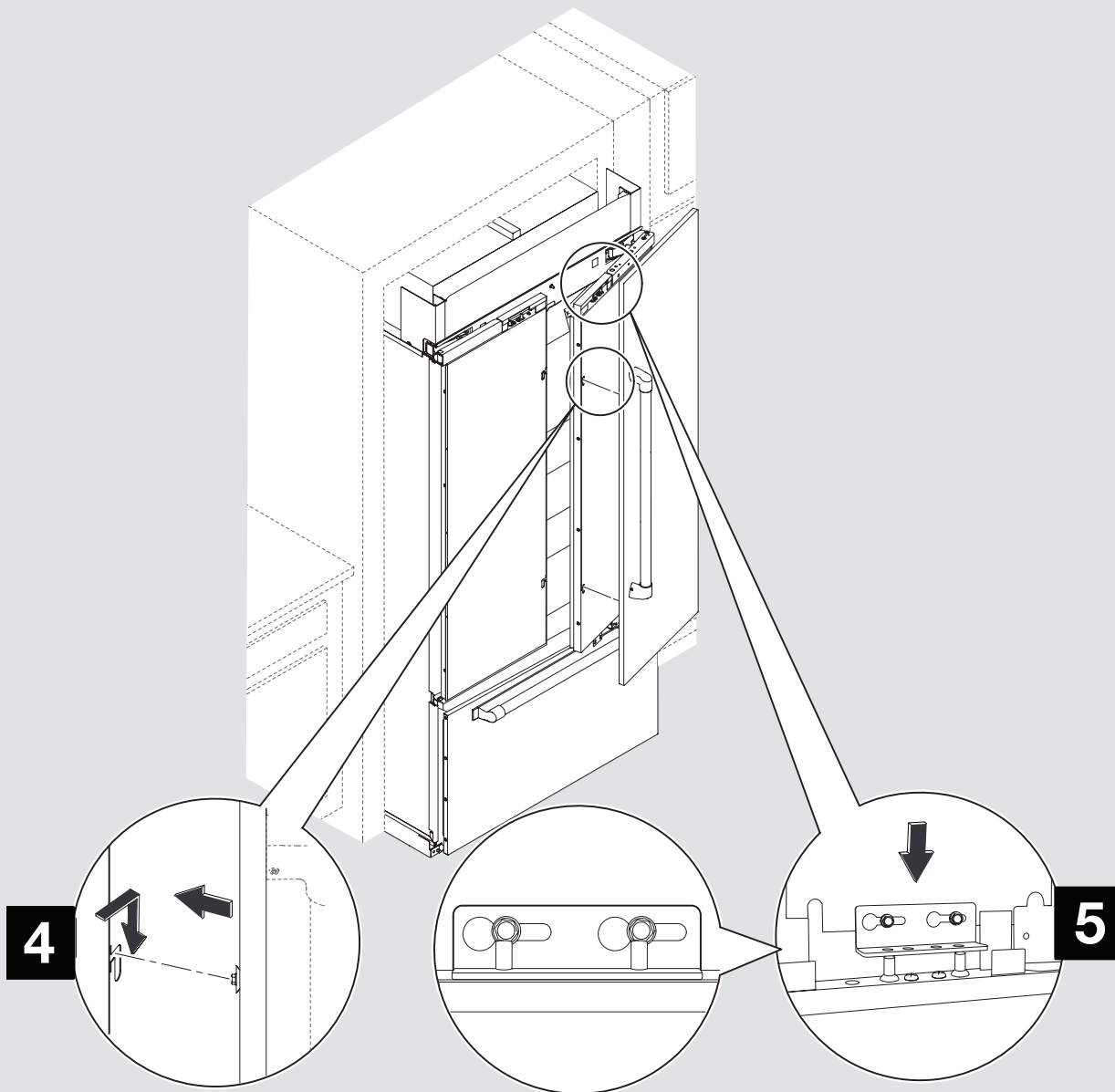
REMARQUE :

- S'assurer que le panneau antibasculement secondaire est installé avant d'ouvrir la porte. Consulter la section "INSTALLATION DU PANNEAU ANTIBASCULEMENT SECONDAIRE" pour installer le panneau antibasculement secondaire.
 - Pour l'installation du panneau, il est recommandé de sortir le produit de l'armoire, mais pas plus de 8" (20,32 cm).
 - Soulever le réfrigérateur jusqu'à ce que le haut du réfrigérateur touche le bas du panneau antibasculement secondaire.
 - N'ouvrir qu'une porte à la fois.
1. Ouvrir les portes et enlever les couvercles de charnière.

REMARQUE : Les modèles avec porte à double battant et congélateur en bas possèdent un couvercle de charnière inférieur qui doit aussi être enlevé.

2. Retirer les caches de tiges d'ajustement de la porte pour exposer les tiges d'ajustement.
3. Utiliser l'emballage en mousse pour maintenir la porte ouverte pendant l'installation du panneau.

INSTALLATION INSTALLATION DES PANNEAUX DE PORTE (SUITE)



⚠ AVERTISSEMENT

Risque du poids excessif
Utiliser deux personnes ou plus pour déplacer et installer les panneaux.
Le non-respect de cette instruction peut causer une blessure au dos ou d'autre blessure.

4. Aligner les deux rondelles à épaulement à l'arrière du panneau de porte avec les fentes en "J" sur le côté de la porte du réfrigérateur.
5. Glisser simultanément le panneau sur la porte et abaisser le support du panneau sur les tiges d'ajustement situées en haut de la porte.

REMARQUE :

- Pour les modèles avec porte à double battant et côte à côte, répéter les étapes 2 à 5 pour installer le deuxième panneau de porte.
- Après avoir bien installé les panneaux, abaisser le réfrigérateur sur les roulettes.

INSTALLATION

DÉPLACEMENT DU RÉFRIGÉRATEUR À L'EMPLACEMENT FINAL

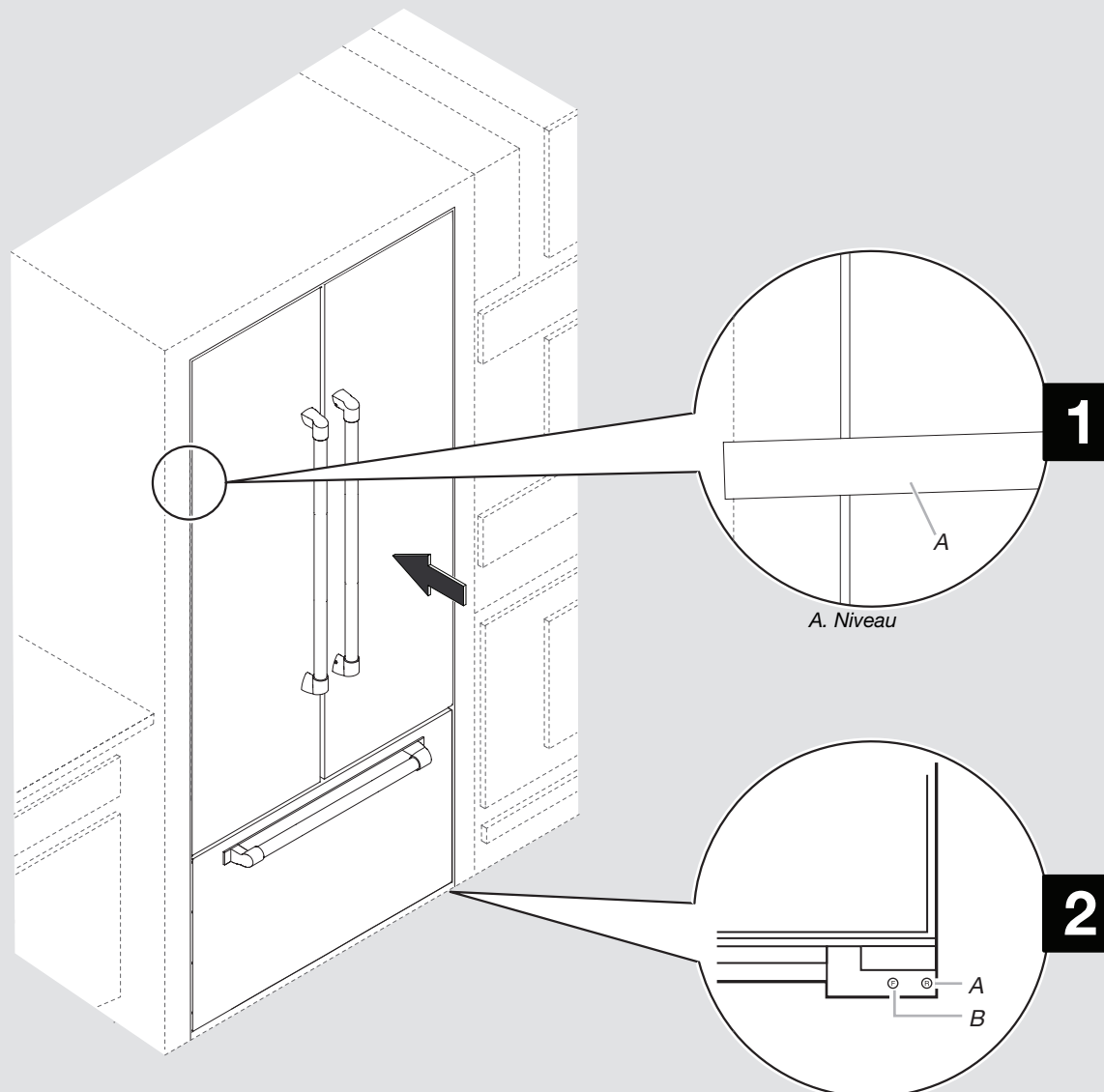
INSTALLATION POUR : 

⚠ AVERTISSEMENT

Risque du poids excessif

Utiliser deux ou plus de personnes pour déplacer et installer le réfrigérateur.

Le non-respect de cette instruction peut causer une blessure au dos ou d'autre blessure.



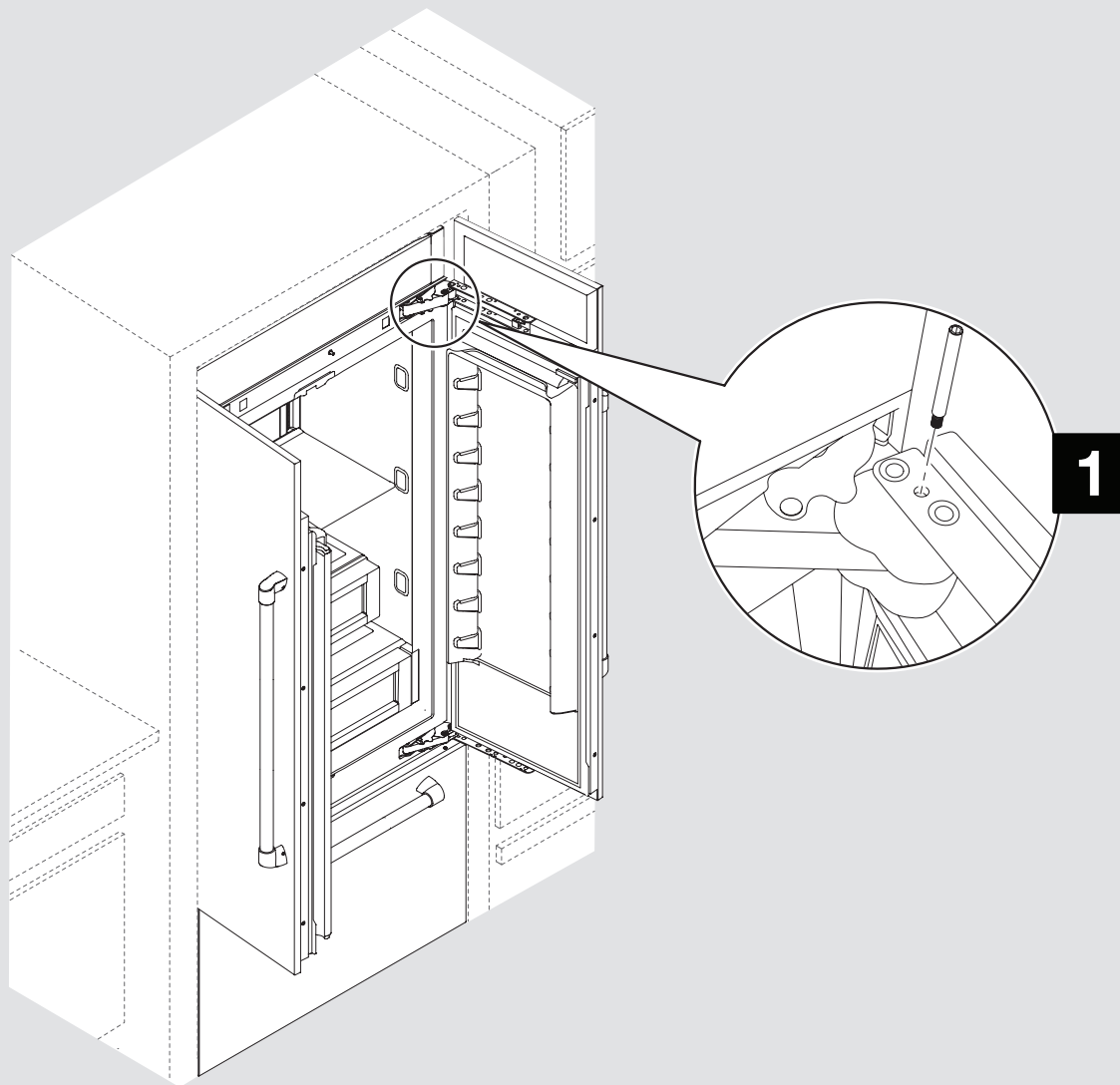
A. Niveau

A. Boulon d'ajustement de l'aplomb (arrière)

B. Boulon d'ajustement de l'aplomb (avant)

INSTALLATION


AJUSTER L'OUVERTURE DE LA PORTE



INSTALLATION POUR : 

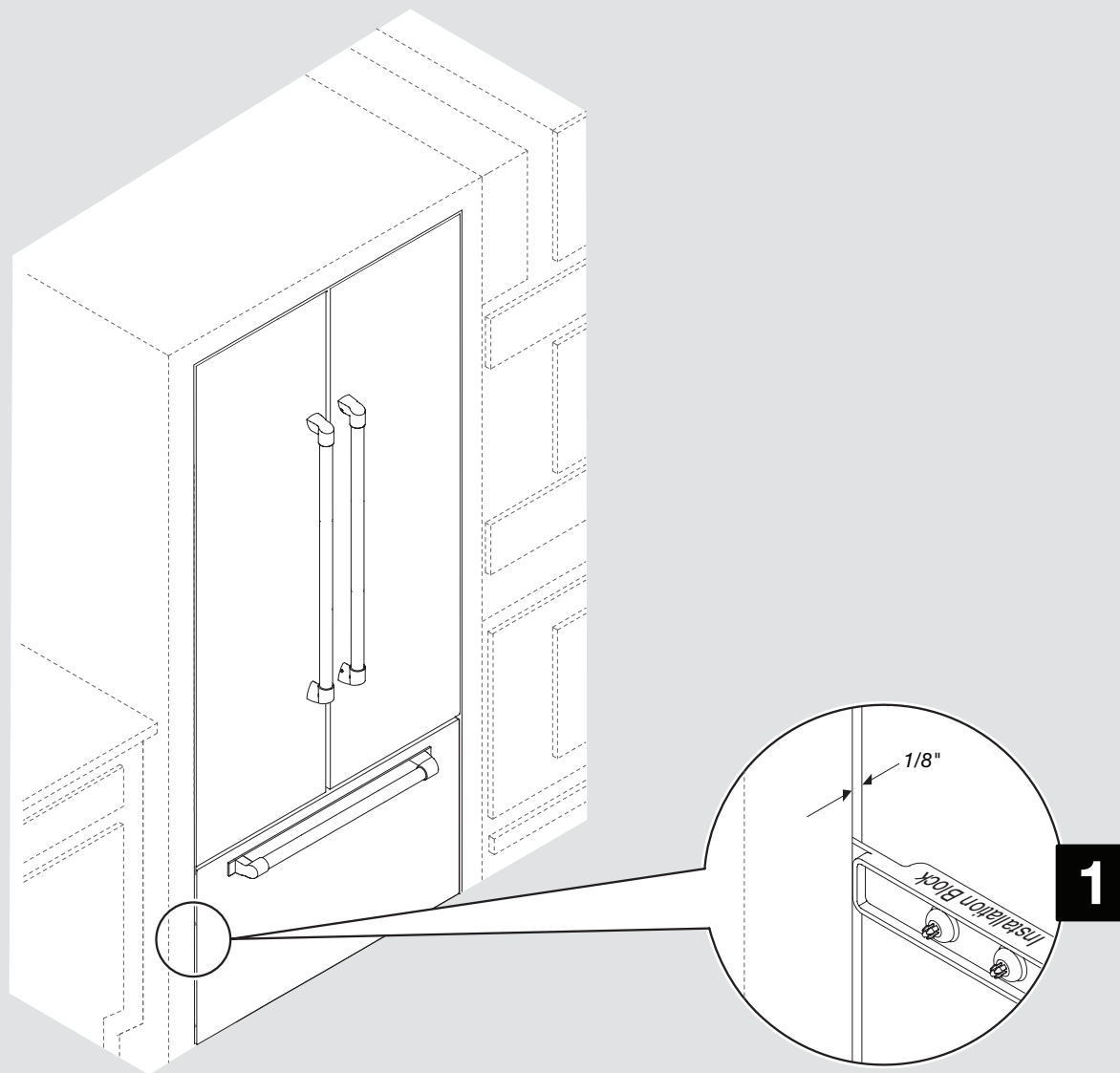
1. Si l'ouverture standard de 110° de la porte est trop large, ajuster la goupille de butée de porte pour obtenir un débattement maximal de 90° de la porte. Insérer la goupille de butée de porte dans la charnière supérieure, au trou indiqué. À l'aide d'une clé hexagonale de 5/32", serrer la goupille de butée de la porte.

Pièces à utiliser :

	Goupille de butée (au besoin)
---	-------------------------------

INSTALLATION

AJUSTER LE PANNEAU DE CONGÉLATEUR



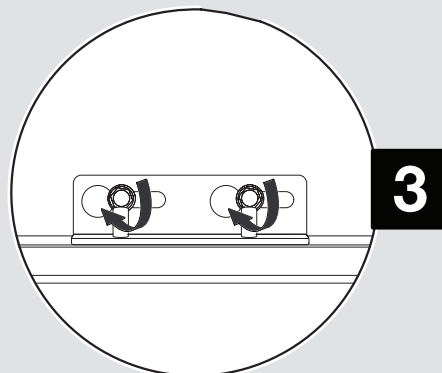
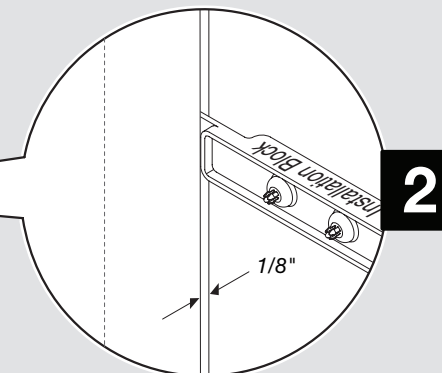
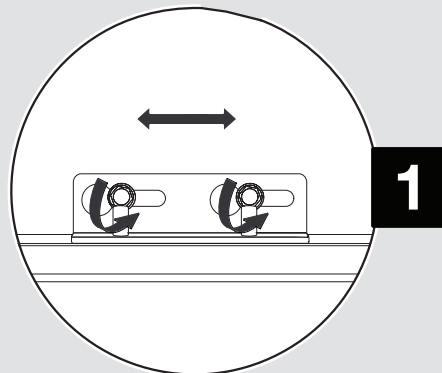
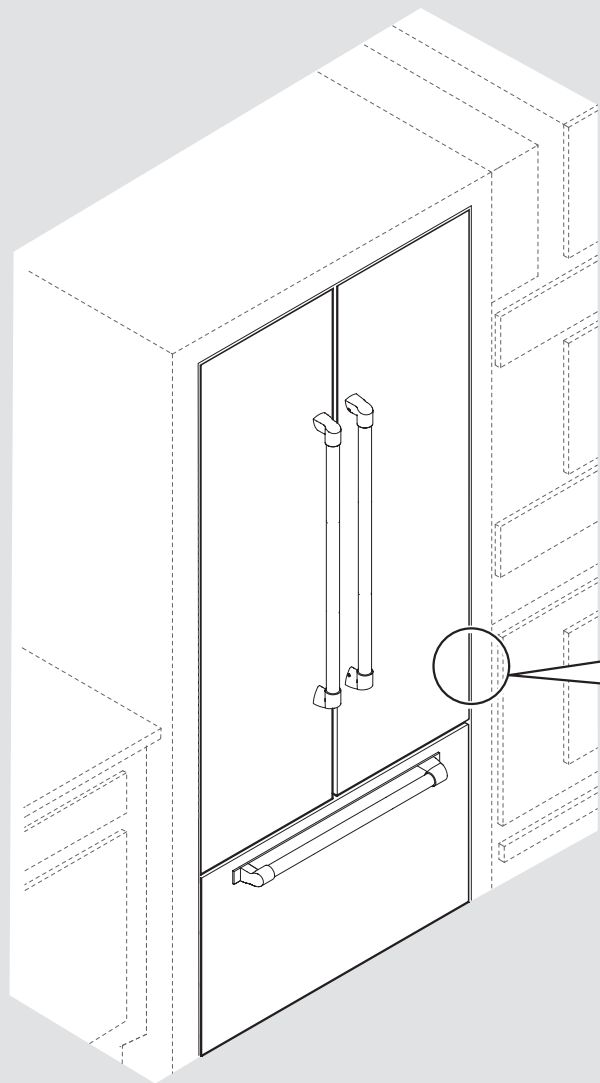
! POUR LES MODÈLES CÔTE À CÔTE – PASSER CETTE ÉTAPE

INSTALLATION POUR :

1. L'espace entre le panneau et les armoires adjacentes doit être de 1/8" (3,2 mm). Utiliser la cale d'installation pour mesurer les espaces.

INSTALLATION

AJUSTER LE PANNEAU DE RÉFRIGÉRATEUR



INSTALLATION POUR : 

1. Desserrer légèrement les vis du support de panneau pour permettre au panneau de bouger de gauche à droite.
2. Ajuster les panneaux pour obtenir un espace de 1/8" (3,2 mm) entre les panneaux et les armoires adjacentes. Pour les modèles avec porte à double battant et congélateur en bas, aligner les bords extérieurs du panneau du réfrigérateur avec les bords extérieurs du panneau du congélateur des deux côtés. Pour les modèles côte à côte, aligner les panneaux du réfrigérateur et du congélateur avec les armoires latérales.

REMARQUE : Ajuster le panneau, pas la porte, si des ajustements sont nécessaires pour l'alignement ou l'espacement.

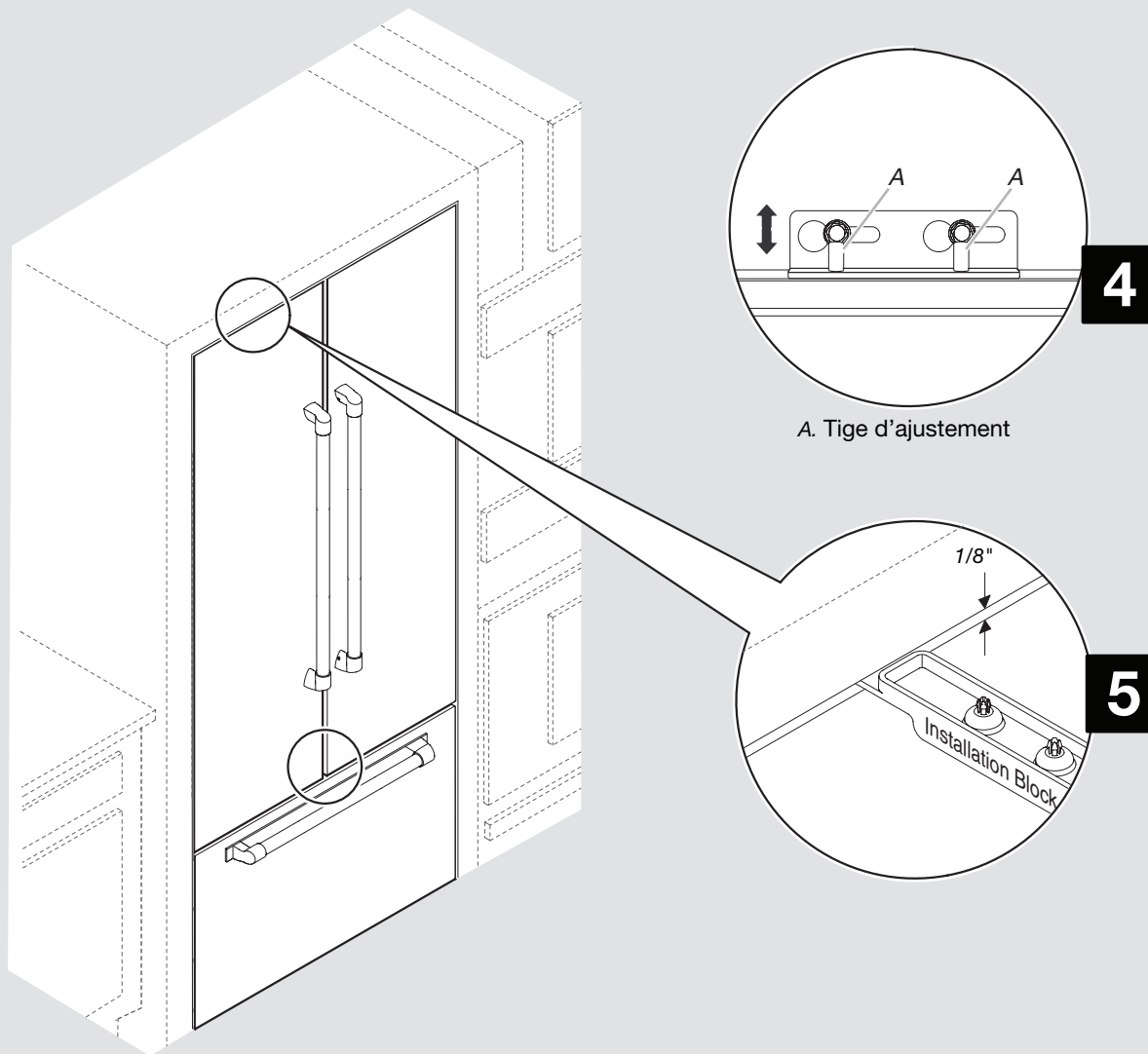
3. Serrer les vis de support de panneau.

INSTALLATION

AJUSTER LE PANNEAU DE RÉFRIGÉRATEUR (SUITE)

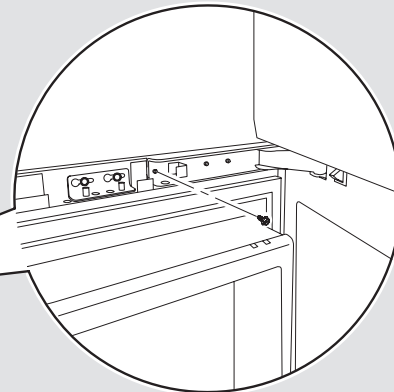
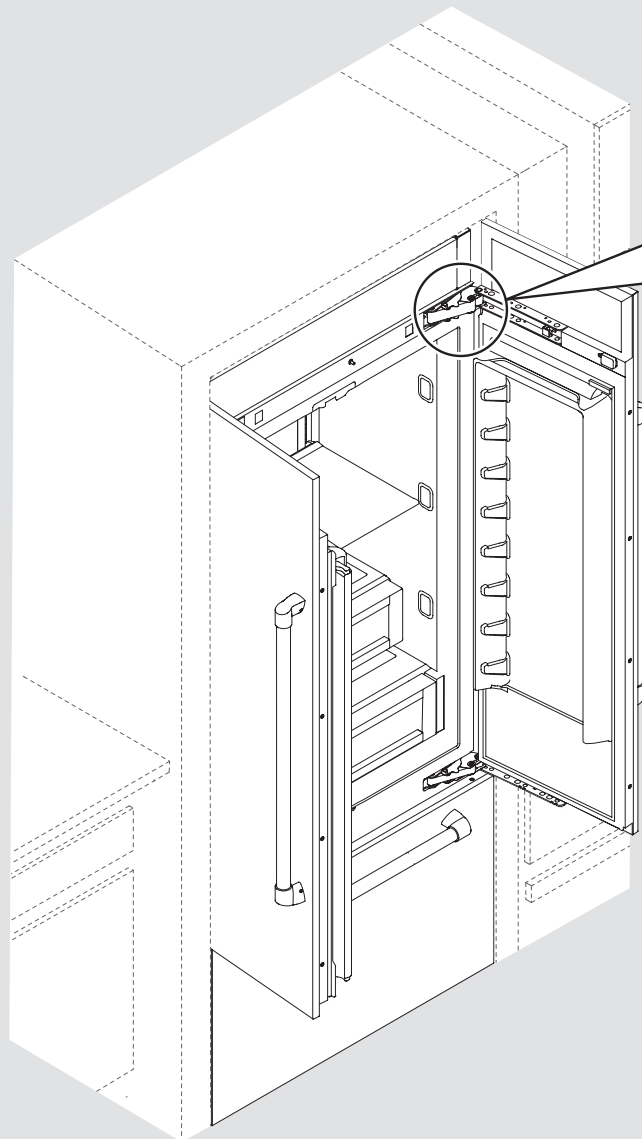
INSTALLATION POUR : 

4. Utiliser une clé hexagonale de 5/32" pour élever ou abaisser les tiges d'ajustement afin de monter ou descendre le panneau de porte.
5. L'espace entre le panneau et le bas du soffite doit être de 1/8" (3,2 mm).

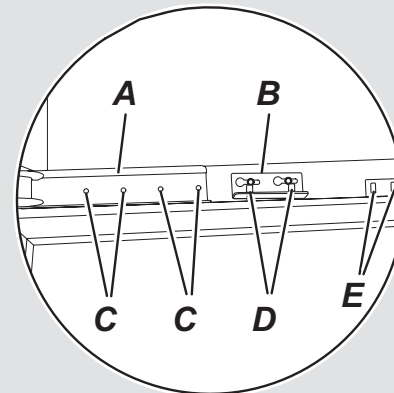


INSTALLATION

FIXER LES PANNEAUX



1

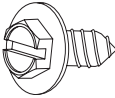


2

- A. Charnière supérieure
- B. Support de montage
- C. Trous pour les vis
- D. Tiges d'ajustement de porte
- E. Trous pour vis (modèles de 36" avec congélateur en bas seulement)

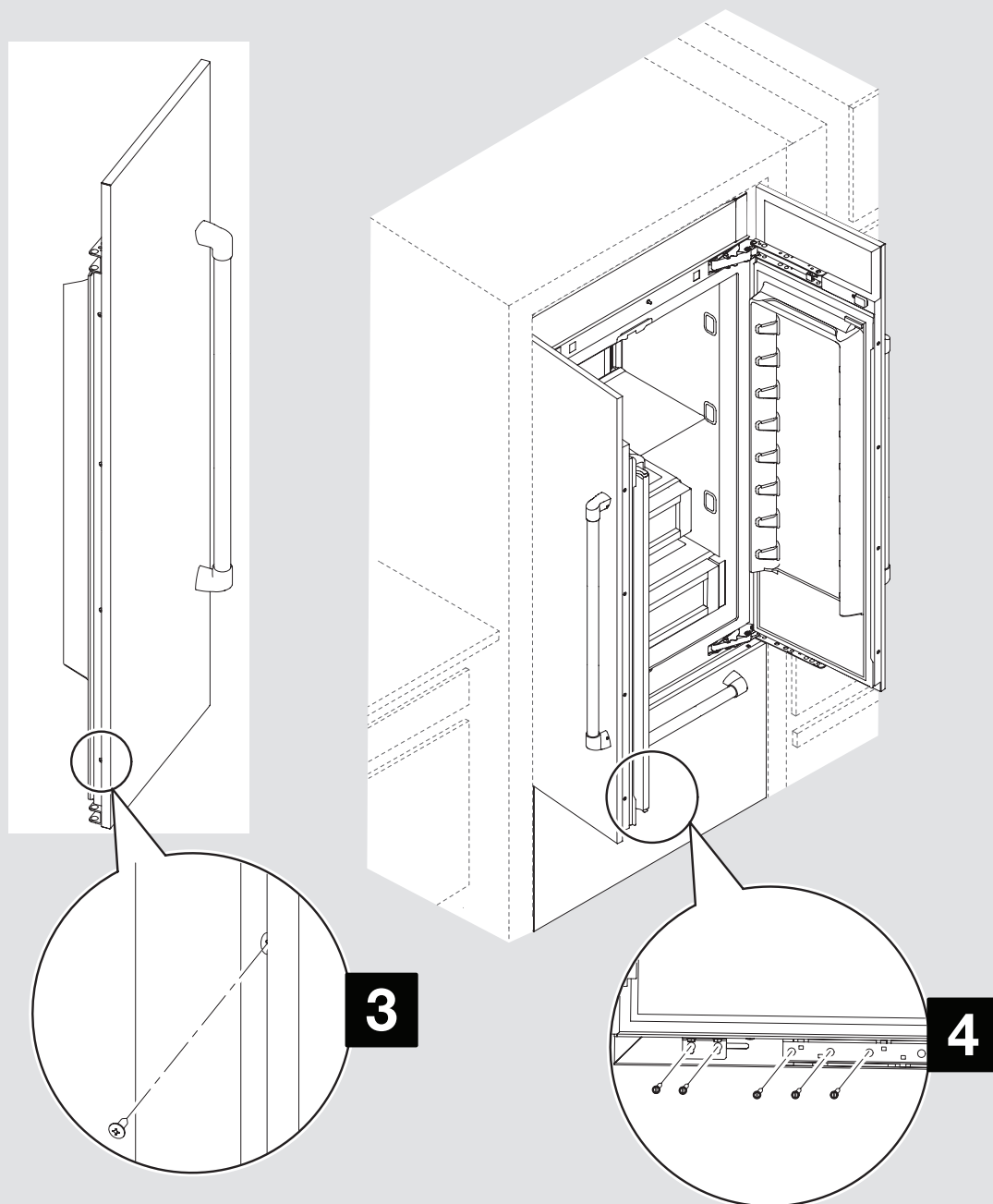
INSTALLATION POUR : 

1. À l'aide des vis à tête hexagonale fendue, fixer les charnières supérieure et inférieure aux panneaux de porte. Bien serrer toutes les vis du panneau de porte.
REMARQUE : Ne pas trop serrer les vis pour ne pas endommager le panneau.
2. Modèles de 36" avec congélateur en bas – Utiliser les vis à tête hexagonale pour fixer le panneau au support de porte supplémentaire.

Pièces à utiliser :	
	Vis à tête hexagonale fendue (au besoin)

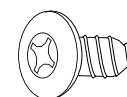
INSTALLATION

INSTALLATION FIXER LES PANNEAUX (SUITE)

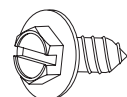


3. Utiliser les vis à tête cruciforme pour fixer le panneau à la porte, sur le côté charnières.
4. À l'aide des vis à tête hexagonale fendue, fixer le support de montage, situé en bas des portes, aux panneaux.

Pièces à utiliser :



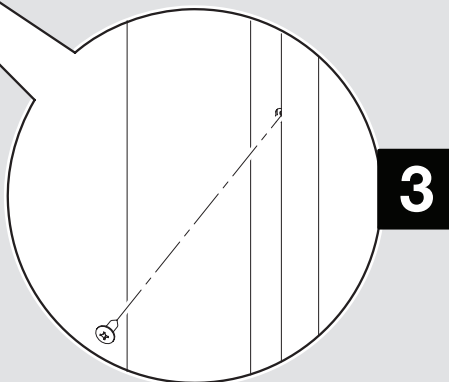
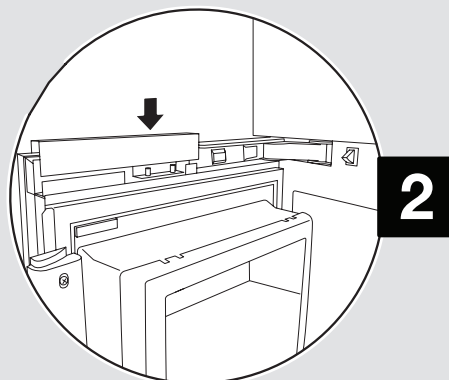
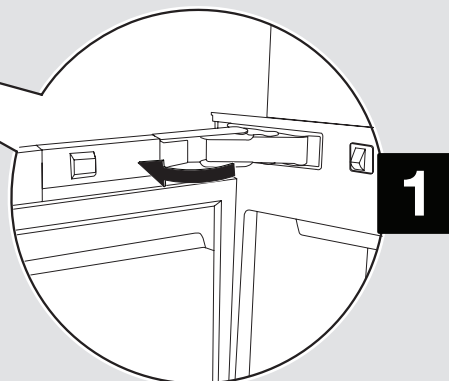
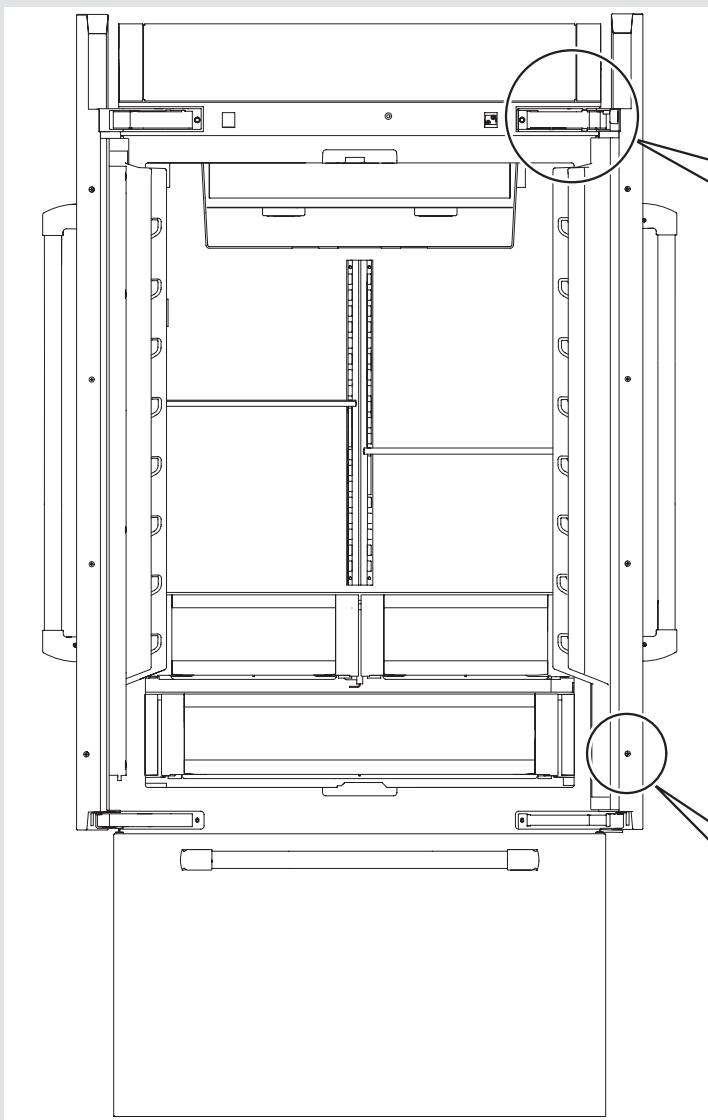
Vis à tête cruciforme
(au besoin)



Vis à tête hexagonale fendue
(au besoin)

INSTALLATION

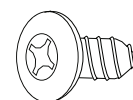
TERMINER L'INSTALLATION



INSTALLATION POUR :

1. Replacer les couvre-charnières.
2. Emboîter les caches des tiges d'ajustement.
3. Au moyen des vis à tête cruciforme, fixer les garnitures côté poignées (fournies avec le réfrigérateur) aux portes.

Pièces à utiliser :



Vis à tête cruciforme
(au besoin)

INSTALLATION

NOTES:

NOTES:

