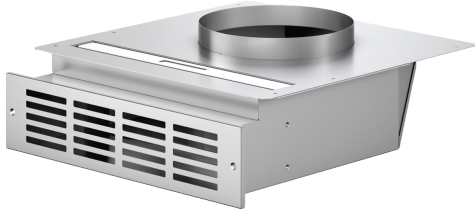


Recirculation kit HDDREC5UC



When Ducting To The Exterior Is Not Feasible, Downdraft Recirculation Kit Allows Filtered Air To Reenter The Kitchen While Cooking

- Designed To Mount At Interior Base Cabinet So Module Is Unseen
- High Quality Charcoal Filter Effectively Captures And Filters Odors
- Replace Charcoal Filter Every 6 Months Depending On Usage
- Downdraft Charcoal Filter Replacement Model Number Is HDDFILTUC
- Module And Grille Vent Plate Can Be Placed So Air Does Not Hit Feet



Recirculation kit HDDREC5UC

When Ducting To The Exterior Is Not Feasible, Downdraft Recirculation Kit Allows Filtered Air To Reenter The Kitchen While Cooking

Design

- Designed To Mount At Interior Base Cabinet So Module Is Unseen

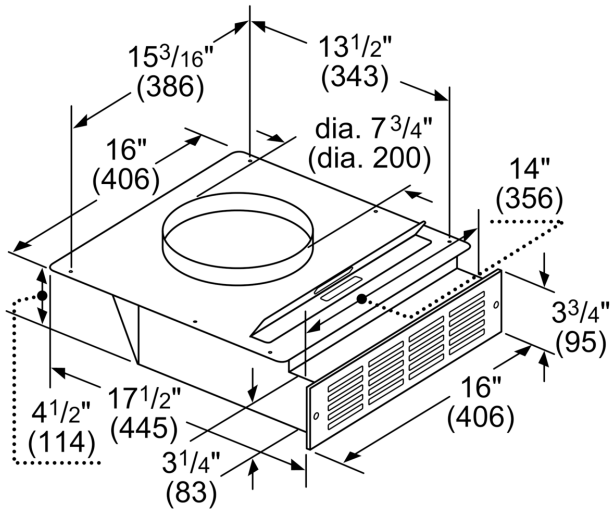
Performance

- High Quality Charcoal Filter Effectively Captures And Filters Odors
- Replace Charcoal Filter Every 6 Months Depending On Usage
- Downdraft Charcoal Filter Replacement Model Number Is HDDFILTUC

Convenience

- Module And Grille Vent Plate Can Be Placed So Air Does Not Hit Feet
- See Installation Manual For More Details

Recirculation kit HDDREC5UC



measurements in inches and (mm)