

FRIGIDAIRE

Factory Parts Catalog



Product No.	UMV1422US	UMV1422UW
Series	24" OTR	24" OTR
Market	North America	North America
Color	stainless	white
Volts	120	120
Watts	1000	1000
Wiring Diagram	A06823412	A06823412
Owner's Guide	A06823410	A06823410
Installation Instructions	A06823411	A06823411

Frigidaire

P.O. BOX 8020
CHARLOTTE, NC 28262

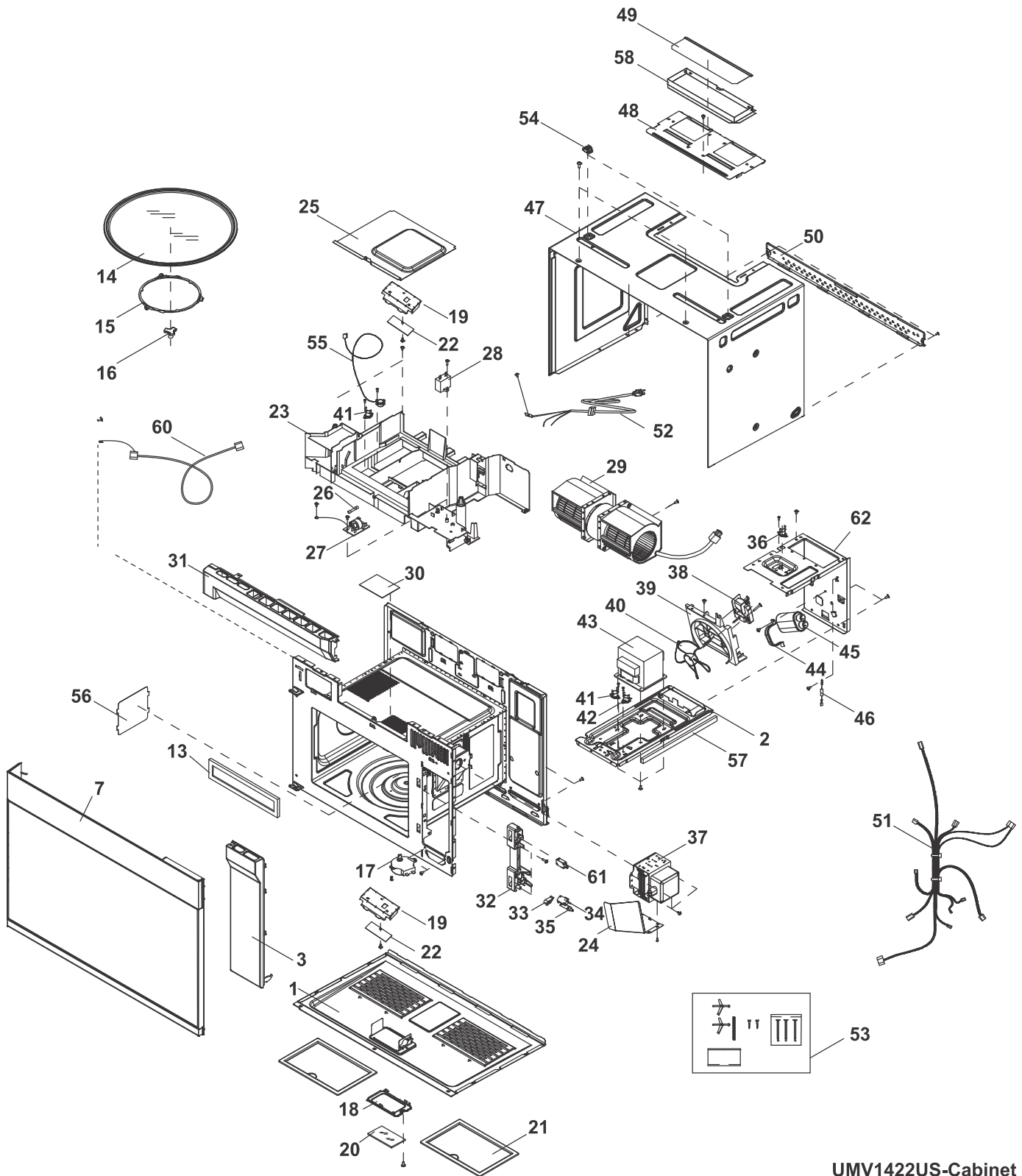
**This Publication Replaces
Publication # 5995706776**

Publication No.
5995706891
18/08/27
(EN/SERVICE/ECL)
099

OVER-RANGE MICROWAVE

Model No.
UMV1422U

OVEN, CABINET



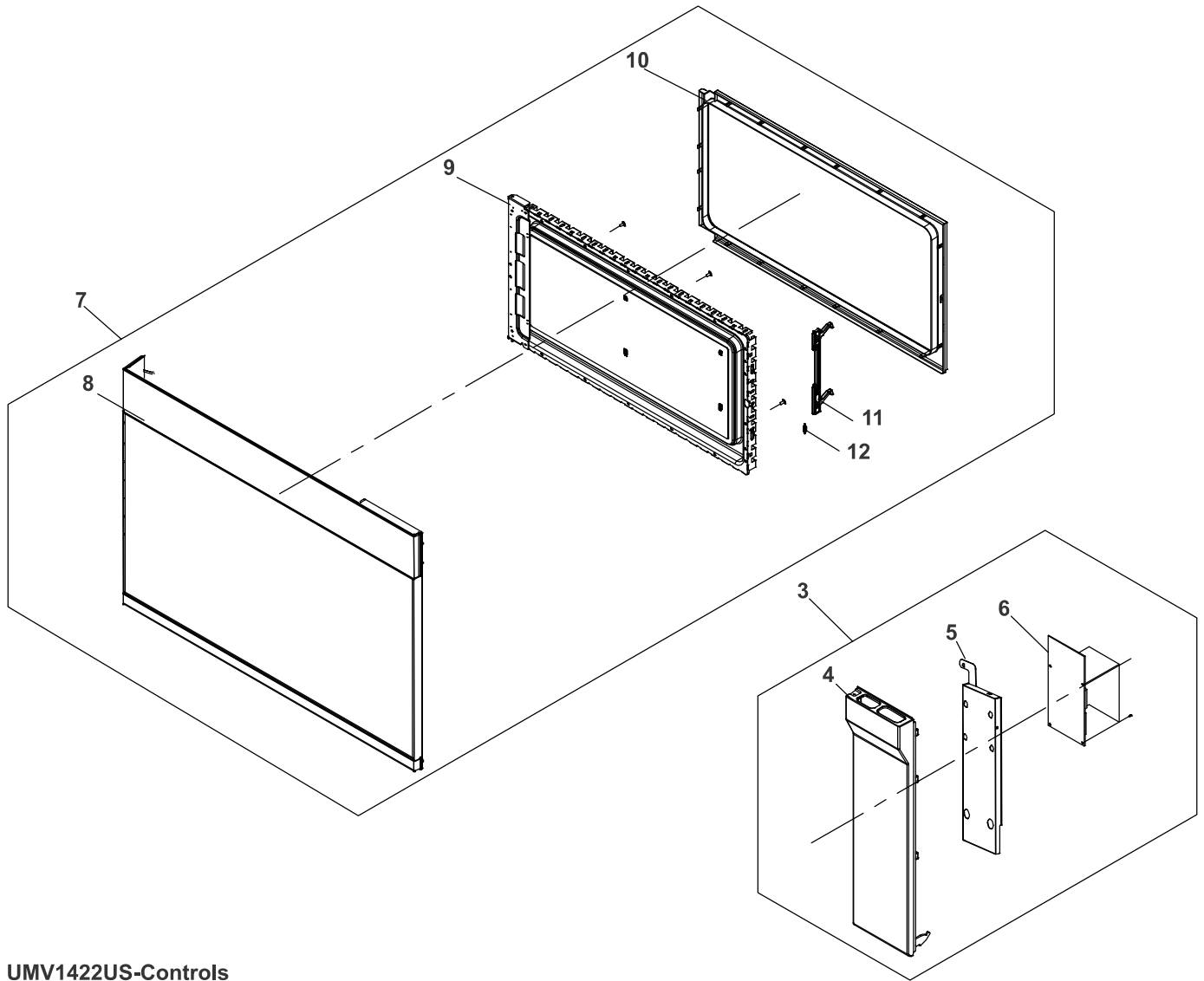
UMV1422US-Cabinet

OVEN,CABINET

Model Index: A UMV1422U (UMV1422US)
B UMV1422U (UMV1422UW)

POS. NO	PART NO.		DESCRIPTION
1	5304517865	A B	Base Plate
2	5304513460	A B	Plate, HV transformer, mounting
3 #	5304518786	A B	Control Assembly, complete, w/pcb
7	5304518787	A -	Door Assembly, complete, stainless/black
7	5304518788	- B	Door Assembly, complete, white/black
13 #	5304464577	A B	Filter, charcoal, 2" X 10"
14	5304509621	A B	Tray, turntable
15	5304517881	A B	Ring, rotating
16	5304505672	A B	Shaft, turntable/motor, coupler
17 #	5304509440	A B	Motor, turntable
18	5304509441	A B	Frame, lens holder
19	5304509442	A B	Cover, lamp
20	5304509443	A B	Lens, cooktop lamp, glass
21	5304517871	A B	Filter, grease
22 #	5304517872	A B	Lamp, LED
23	5304517873	A B	Wave Guide, main
24	5304513477	A B	Guide, air, magnetron
25	5304513485	A B	Cover, cavity lamp
26 #	5304509451	A B	Fuse
27 #	5304509452	A B	Filter, noise, electronic
28 #	5304509453	A B	Capacitor, start
29 #	5304509624	A B	Motor, vent
30	5304517875	A B	Tape, lamp
31	5304517876	A B	Gille, vent, black
32	5304509457	A B	Latch Hook
33	5304509458	A B	Lever, switch
34 #	5304512529	A B	Switch, monitor
35 #	5304515182	A B	Switch, interlock
36 #	5304509469	A B	Thermostat, 160/95 °V
37 #	5304509470	A B	Magnetron, high voltage
38 #	5304513476	A B	Motor, fan
39	5304513475	A B	Guide, fan
40	5304517877	A B	Blade, fan
41 #	5304509474	A B	Thermostat, cutout, transformer
42 #	5304509475	A B	Thermostat, cutout, vent motor
43 #	5304509476	A B	Transformer, high voltage
44	5304513482	A B	Holder, HV Capacitor
45 #	5304509478	A B	Capacitor, high voltage
46 #	5304509479	A B	Diode, high voltage
47	5304517878	A B	Wrapper, outer case, black
48	5304517879	A B	Cover, vent motor
49	5304509486	A B	Damper, door, exhaust adapter
50	5304517880	A B	Plate, mounting brack
51 #	5304518791	A B	Harness, wiring, main
52 #	5304512501	A B	Power Cord, electric
53	5304513469	A B	Mounting Kit, w/templates
54	5304509436	A B	Mounting Nut Kit
55 #	5304509652	A B	Sensor, humidity
56	5304509435	A B	Cover, waveguide
57	5304509482	A B	Cushion, foam pad, transformer
58	5304509485	A B	Adapter, exhaust, damper frame
60 #	5304504073	A B	Wire, connector, PC board
61 #	5304509460	A B	Switch, interlock
62	5304513479	A B	Duct, air guide, back

CONTROL PANEL,DOOR



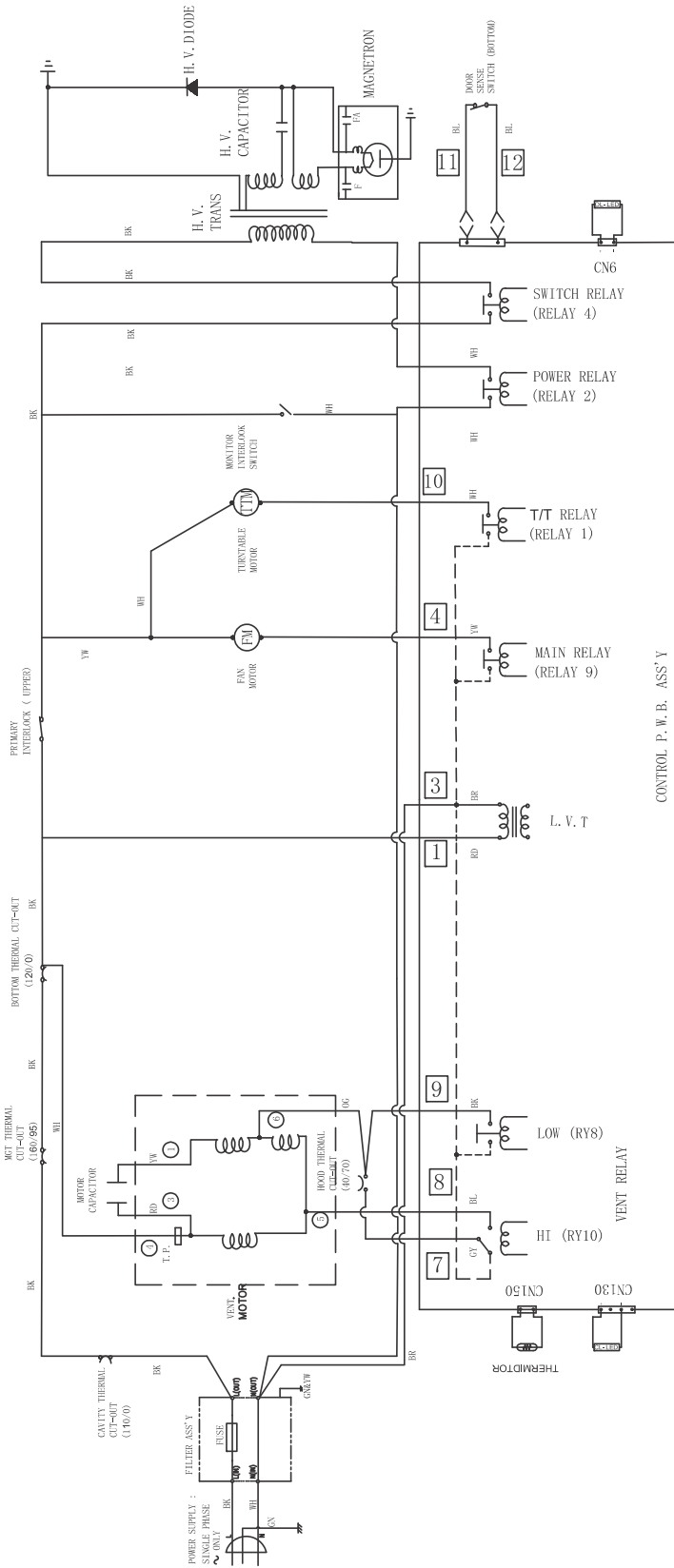
UMV1422US-Controls

CONTROL PANEL,DOOR

Model Index: A UMV1422U (UMV1422US)
 B UMV1422U (UMV1422UW)

POS. NO	PART NO.		DESCRIPTION
3 #	5304518786	A B	Control Assembly, complete, w/pcb
4	5304517866	A B	Control cover, assembly
5	5304517867	A B	Shield, control
6 #	5304517868	A B	PC Board, control
7	5304518787	A -	Door Assembly, complete, stainless/black
7	5304518788	- B	Door Assembly, complete, white/black
8	5304518789	A -	Door Assembly, outer, stainless/black
8	5304518790	- B	Door Assembly, outer, white/black
9	5304517869	A B	Door frame, inner
10	5304517870	A B	Gasket, door
11 #	5304509432	A B	Latch, door
12	5304509433	A B	Spring, door latch

WIRING DIAGRAM



NOTE: Connection is polarity sensitive. Assemble correctly.

(1) FAN MOTOR	OG: ORANGE	BR: BROWN	WH: WHITE
(2) OPEN LAMP	YW: YELLOW	RD: RED	BL: BLACK
(3) COOKTOP LAMP	BL: BLUE	GY: GREY	PK: PINK
(4) TURNTABLE MOTOR	GN: GREEN		

[CONDITION]
 DOOR CLOSED
 COOK-OFF

PN: A06823412
 16170000A65901