

KWT 2602 Vi

MasterCool Wine Conditioning Unit

For high-end design and technology on a large scale.

EAN: 4002516322948 / material number: 11503590

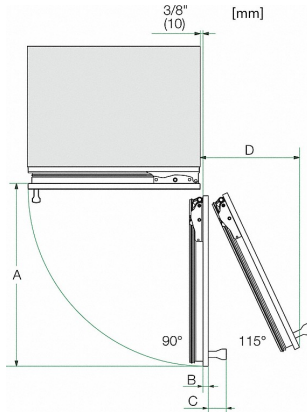


- Push2open for convenient door-opening assistance
- Various wines at the perfect temperature – 3 temperature zones
- Flexible storage of large wine bottles thanks to FlexiFrame
- Light floods the interior thanks to LED elements – BrilliantLight
- Communication with the machine could not be easier – WiFi Conn@ct

Appliance category	
Wine storage unit	•
Construction type	
Built-in	•
Built-in integrated	•
Door hinge side	right
Convertible hinging	•
Can be installed side-by-side	•
Design	
Lighting	BrilliantLight
Control panel	
DynaCool	•
SoftClose door closing damper	•
Push2open	•
MaxLoad hinge	•
Flexible wooden shelves FlexiFrame	13
Material of wooden racks	Beechwood
NoteBoard	•
Control	
No. of temperature zones	3
Sabbath mode	•
Safety	
Lock function	•
Acoustic door alarm	•
Optical door alarm	•
Technical data	
Appliance width in in.(mm)	23 3/4 (603)
Appliance height in in.(mm)	83 3/4 (2,127)
Appliance depth in in.(mm)	24 (608)
Weight in lbs.(kg)	328 (148)
Maximum fridge compartment door front weight in lbs. (kg)	161 (73)
Wine conditioning zone volume in l	379
Available space for the number of 0.75 l Bordeaux bottles	104
Current consumption in milliampere (mA)	4,000
Voltage in V	120
Fuse rating in A	10
Wire length in ft (m)	9 (3.0)

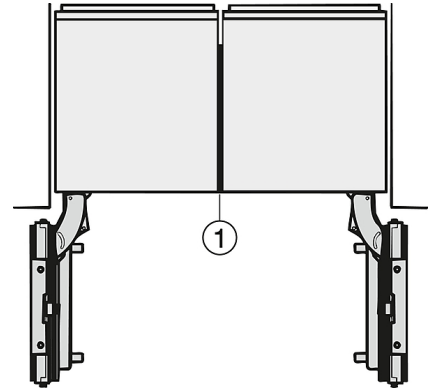
KWT 2602 Vi

MasterCool Wine Conditioning Unit
For high-end design and technology on a large scale.



Opening angle 90°/115°, right side stop, MasterCool (Sketch) *footnote

- A) Appliance door width
 F 2461 Vi: 525 mm (20 2/3 inch);
 F 2462 Vi: 525 mm (20 2/3 inch);
 K 2601 Vi, K 2601 SF, F 2661 Vi, KWT 2601 Vi, KWT 2601 SF, KWT 2661 ViS, KWT 2661 SFS: 677 mm (26 2/3 inch);
 K 2602 Vi, K 2602 SF, F 2662 Vi, KWT 2602 Vi, KWT 2602 SF, KWT 2662 ViS, KWT 2662 SFS: 677 mm (26 2/3 inch);
 K 2801 Vi, K 2801 SF, F 2801 Vi, KF 2801 Vi, KF 2801 SF: 829 mm (32 2/3 inch);
 K 2802 Vi, K 2802 SF, F 2802 Vi, KF 2802 Vi, KF 2802 SF: 829 mm (32 2/3 inch);
 K 2901 Vi, K 2901 SF, F 2901 Vi, KF 2901 Vi, KF 2901 SF: 982 mm (38 2/3 inch);
 K 2902 Vi, K 2902 SF, F 2902 Vi, KF 2902 Vi, KF 2902 SF: 982 mm (38 2/3 inch);
 B) Furniture front (max. 38 mm) (1 1/2 inch)
 C) Door handle
 D) Distance door to wall (without furniture front and door handle):
 F 2461 Vi: 237 mm (9 1/3 inch);
 F 2462 Vi: 237 mm (9 1/3 inch);
 K 2601 Vi, K 2601 SF, F 2661 Vi, KWT 2601 Vi, KWT 2601 SF, KWT 2661 ViS, KWT 2661 SFS: 296 mm (11 2/3 inch);
 K 2602 Vi, K 2602 SF, F 2662 Vi, KWT 2602 Vi, KWT 2602 SF, KWT 2662 ViS, KWT 2662 SFS: 296 mm (11 2/3 inch);
 K 2801 Vi, K 2801 SF, F 2801 Vi, KF 2801 Vi, KF 2801 SF: 363 mm (14 1/3 inch);
 K 2802 Vi, K 2802 SF, F 2802 Vi, KF 2802 Vi, KF 2802 SF: 363 mm (14 1/3 inch);
 K 2901 Vi, K 2901 SF, F 2901 Vi, KF 2901 Vi, KF 2901 SF: 428 mm (16 7/8 inch);
 K 2902 Vi, K 2902 SF, F 2902 Vi, KF 2902 Vi, KF 2902 SF: 428 mm (16 7/8 inch)
 E) ONLY valid for SF versions: A + 25 mm (1 inch)

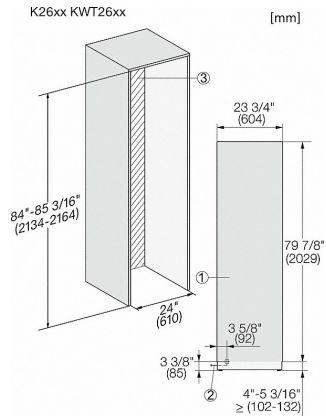


Side-by-side, MasterCool, without partition wall, with heating mat (Sketch) (with footnote)

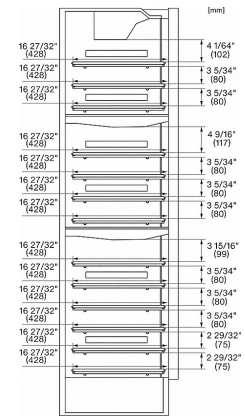
- 1) Heating mat KSK 2001 (EU, AUS, CN) or KSK 2002 (US, CA, MX, BR)

KWT 2602 Vi

MasterCool Wine Conditioning Unit
For high-end design and technology on a large scale.



1. View from the front
2. Mains connection cable, L = 3000 mm (118 inch)
3. No water/ELT connections permitted in this area



drawings