

# WINNERS ONLY®

## ASSEMBLY INSTRUCTIONS

PROD. NO: DU33575W / DU33575N

Thank you for purchasing this quality product. Please read the instructions thoroughly before unpacking the assembly parts.

Caution : Sharp exposed staple tips can cause injury, therefore for your protection, please remove any exposed staples used in packing.

Please keep all hardware parts out of the reach of children.

1. We recommend that you should assemble this product with assistance of another person; this will make the assembly easier, and will help to prevent personal injury and to insure parts are not damaged during the assembly process.

2. Before beginning, please check the packing materials carefully for small parts which may have come loose inside the carton during shipping. Please do not discard any packing material until all parts have been located. If any parts are missing, please contact your dealer for prompt replacement.

3. To prevent damage to your floor or carpet, please check the bottom of each piece of furniture for stain residues and rough surfaces and also check for staples or nails left after removing the packing materials.

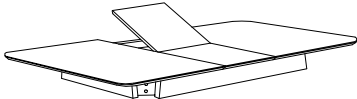
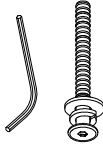
The manufacturer will not be held responsible if preventive steps are not taken prior to installation.

4. Please do not over tighten screws or bolts. During normal use everyday, screws, bolts, nuts, and wooden plugs may loosen up. They should be periodically inspected and re-tightened to prevent damage to the furniture and (or) personal property or cause injury. Always check to be sure all hardware on this list and the below mentioned components are attached to the furniture properly and kept tightened.

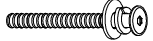

5. Please lay all parts and hardware on a non abrasive surface such as carpet, and follow the assembly.

This product will take 15-20 minutes to assemble

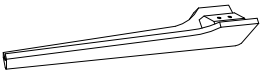
### Components List: DU33575WT/ DU33575NT

NO	DESCRIPTION	SKETCH	QTY
A	TABLE TOP		1 PC
B	HARDWARE BAG		1 PACK

### Hardware List:

NO	DESCRIPTION	SIZE	SKETCH	QTY
1	JCBB BOLT WITH WASHER	M8 X 70mm		8 PCS
2	ALLEN KEY	M5		1 PC

### Components List: DU33575WB/ DU33575NB

NO	DESCRIPTION	SKETCH	QTY
C	TABLE LEG		4 PCS

**TIP:** store the Allen key and or Wrench used in assembly in this product's drawer or use masking or painter's tape to affix it to the underside of the product. This will make it easier to find if you want to periodically tighten bolts or disassemble the product.

# WINNERS ONLY®

## ASSEMBLY INSTRUCTIONS

PROD. NO: DU33575W / DU33575N

FIG 1.2

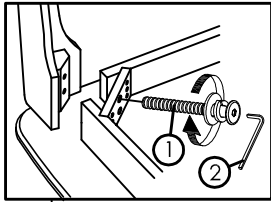
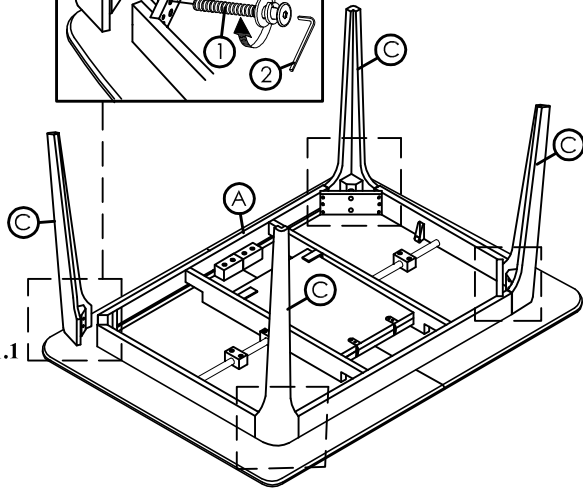


FIG 1.1



**Step 1.1** Turn table top (A) upside down on a soft protective surface such as carpet. Attach table legs (C) on a table top (A) as shown on FIG 1.1.

**Step 1.2** Secure all table legs (C) using JCBB bolts with washer (1) and Allen Key (2) as shown on FIG 1.2.

**Note :** Please do not fully tighten the bolts.

FIG 2.2

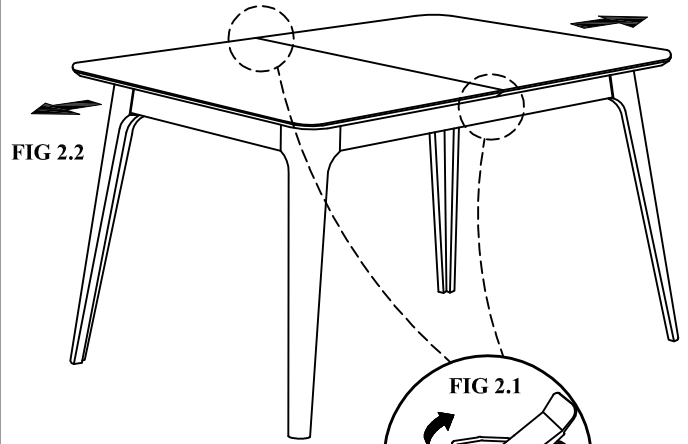
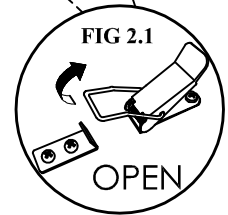


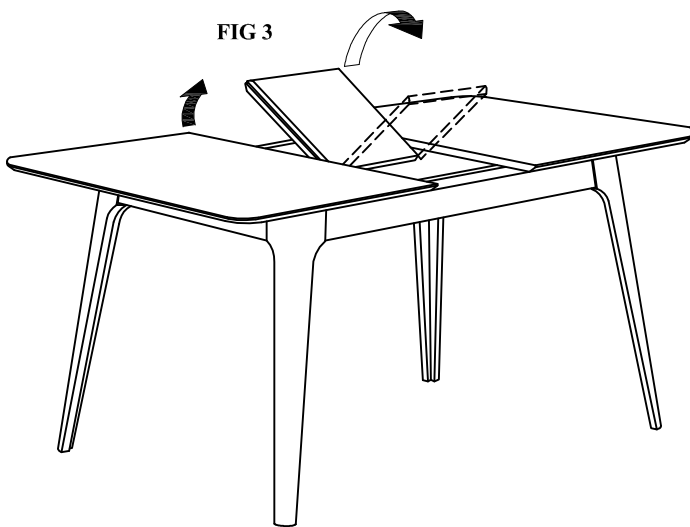
FIG 2.1



**Step 2.1** Turn the table to a standing position. Check the table balance and fully tighten all the bolts now. Unlock the latch from underneath the table top as shown on FIG 2.1.

**Step 2.2** Pull the two ends of the table top apart as shown on FIG 2.2.

FIG 3



**Step 3** Unfold the butterfly leaf at the center of the extended table top as shown on FIG 3.

FIG 4.1

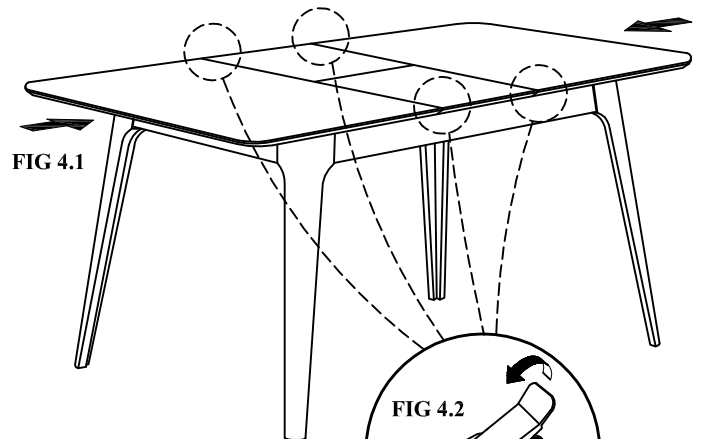
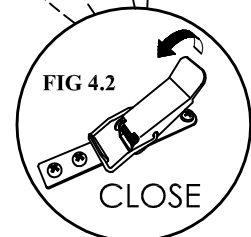


FIG 4.2



**Step 4.1** Lower the flattened butterfly leaf at the center of table, then push the two ends of the table top inward as shown on FIG 4.1.

**Step 4.2** Make sure all pin and holes are aligned. Lock the table latch underneath all 4 sided of table top as shown on FIG 4.2.

Assembly is now complete. 2 OF 2