


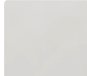
WF50BG8300

SAMSUNG

5.0 cu. ft. Extra Large Capacity Smart Front Load Washer with Super Speed Wash and Steam



Available Colors

-  **Brushed Black**
WF50BG8300AV
-  **Ivory**
WF50BG8300AE

Features

- Extra-Large 5.0 cu. ft. Capacity
- Super Speed Wash
- ENERGY STAR® Most Efficient
- Flexible Installation
- Wi-Fi Connectivity¹
- Steam
- Antimicrobial Technology
- Self Clean+
- Closet Depth Fit²
- Premium Tempered Glass Door
- Vibration Reduction Technology+
- Swirl+ Drum Interior
- Smart Care
- ADA Compliant³
- 1200 RPM Maximum Spin Speed
- Direct Drive Motor
- 23 Total Washing Cycles
- 9 Additional Options

Convenience

- Child Lock
- Dispenser Trays: Main Wash, Softener, Bleach

Ratings



ENERGY STAR® Most Efficient
CEE Tier 3
IMEF = 3.10
IWF = 2.9
99 kWh/yr

Electrical Requirements

120 V / 60 Hz
15 Amps

Specifications

12 Preset Washing Cycles:

Normal, Heavy Duty, Bedding, Quick Wash, Delicates, Towels, Rinse + Spin, Self Clean+, Steam Sanitize, Steam Normal, Steam Whites, Downloads

11 Downloadable Washing Cycles:

Permanent Press, ActiveWear, Wool, Eco Cold, Colors, Outdoor, Denim, Steam Allergen, Power Steam, Steam Bulky, Power Rinse

9 Additional Washing Options:

Pre Soak, Steam, Delay End, Smart Control, Super Speed, Smart Care, Alarm Off, Child Lock, Spin Only

5 Temperature Settings:

Hot, Warmer, Warm, Cold, Tap Cold

5 Spin Settings:

High, Medium High, Medium, Low, No Spin

5 Soil Settings:

Heavy, Heavy Medium, Normal, Low Medium, Light

Warranty

One (1) Year Parts and Labor
Three (3) Years Stainless Tub Part (Part Only)

Washing DIT (Digital Inverter Motor) Motor Part (Part Only):

Ten (10) Years

Twenty (20) Years Limited to "U.S.-Assembled" Washers Only

Product Dimensions & Weight (WxHxD)

Dimensions: 27" x 38³/₄" x 33¹/₂"

Weight: 216.1 lbs

Shipping Dimensions & Weight (WxHxD)

Dimensions: 29³/₈" x 42³/₈" x 35³/₈"

Weight: 220.5 lbs

Washer	Model #	UPC Code
Brushed Black	WF50BG8300AV	887276660912
Ivory	WF50BG8300AE	887276660905

Matching Electric Dryer

Brushed Black	DVE50BG8300V	887276660875
Ivory	DVE50BG8300E	887276660868

Matching Gas Dryer

Brushed Black	DVG50BG8300V	887276660899
Ivory	DVG50BG8300E	887276660882

Optional Accessories	Model #	UPC Code
Brushed Black Pedestal	WE402NV	887276310145
Ivory Pedestal	WE402NE	887276529073
Brushed Black Riser	WE272NV	887276197630
Stacking Kit	SKK-8K	887276344034

¹Requires wireless network, Samsung account and Samsung SmartThings App. The Samsung SmartThings App supports Android OS 4.0 (ICS) or later which is optimized for Samsung smartphones (Galaxy S and Galaxy Note series). This app also supports iOS 7 or later for iPhone models. Samsung SmartThings App available in App Store and Play Store.

²Designed to fit a 40" installation depth.

³ADA Compliant when using 27" wide riser. (Riser model codes: WE272NV, WE272NW, WE272NC)

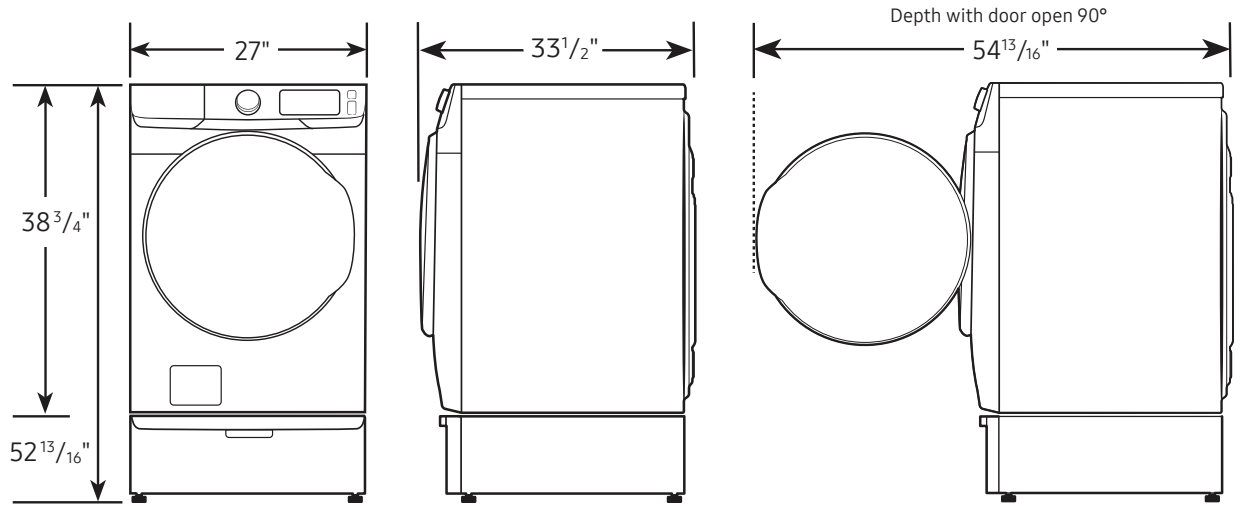
WF50BG8300

SAMSUNG

5.0 cu. ft. Extra Large Capacity Smart Front Load Washer with Super Speed Wash and Steam

Dimensions

Required dimensions for installation with pedestal:

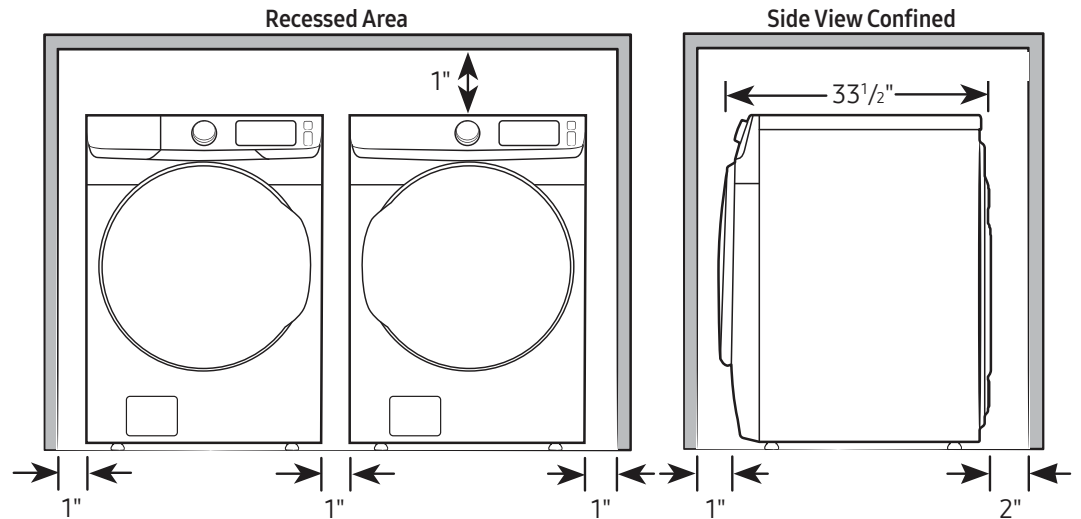


Installation Specifications – Side-by-Side

If the washer and dryer are installed together or the dryer alone, the closet front must have two unobstructed air openings for a combined minimum total area of 72-inch². Your washer alone does not require a specific air opening.

Alcove or closet installation

Minimum clearance for closet and alcove installations:



Connection Dimensions

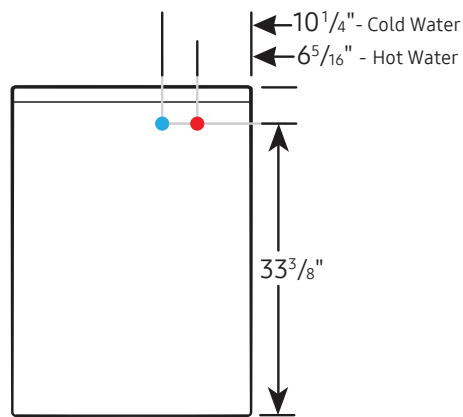
Back view of washer

LEGEND:

- Cold Water Connection
- Hot Water Connection

Actual color may vary. Design, specifications, and color availability are subject to change without notice. Non-metric weights and measurements are approximate.

©2022 Samsung Electronics America, Inc., 85 Challenger Road, Ridgefield Park, NJ 07660. Tel: 800-SAMSUNG.samsung.com. Samsung is a registered trademark of Samsung Electronics Co., Ltd.



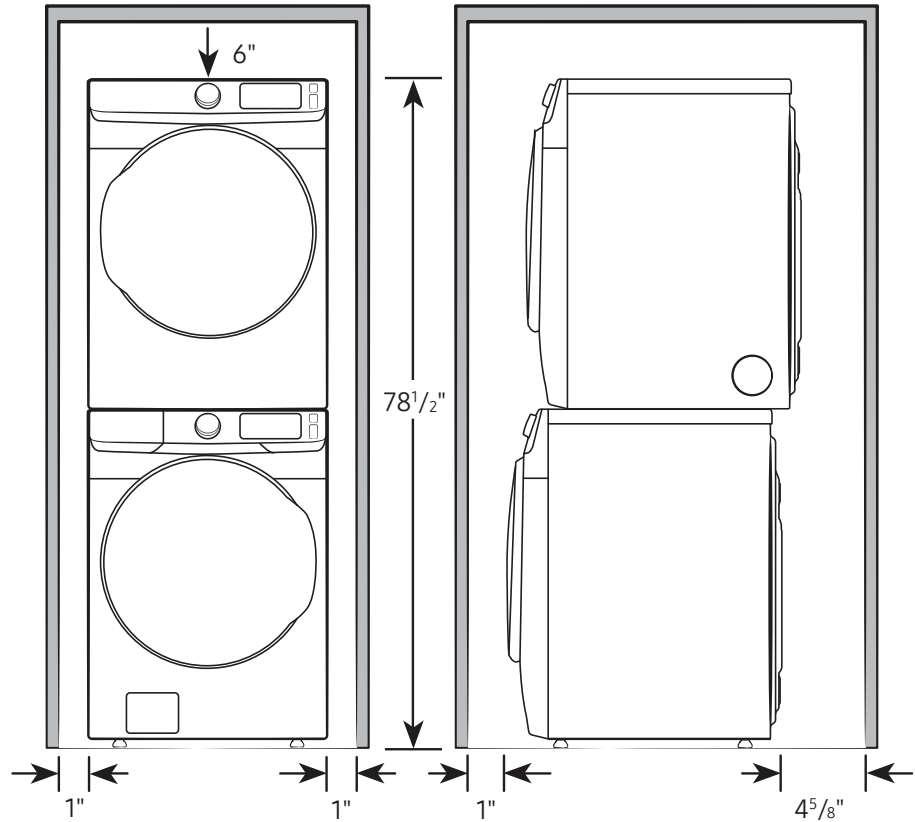
WF50BG8300

SAMSUNG

5.0 cu. ft. Extra Large Capacity Smart Front Load Washer with Super Speed Wash and Steam

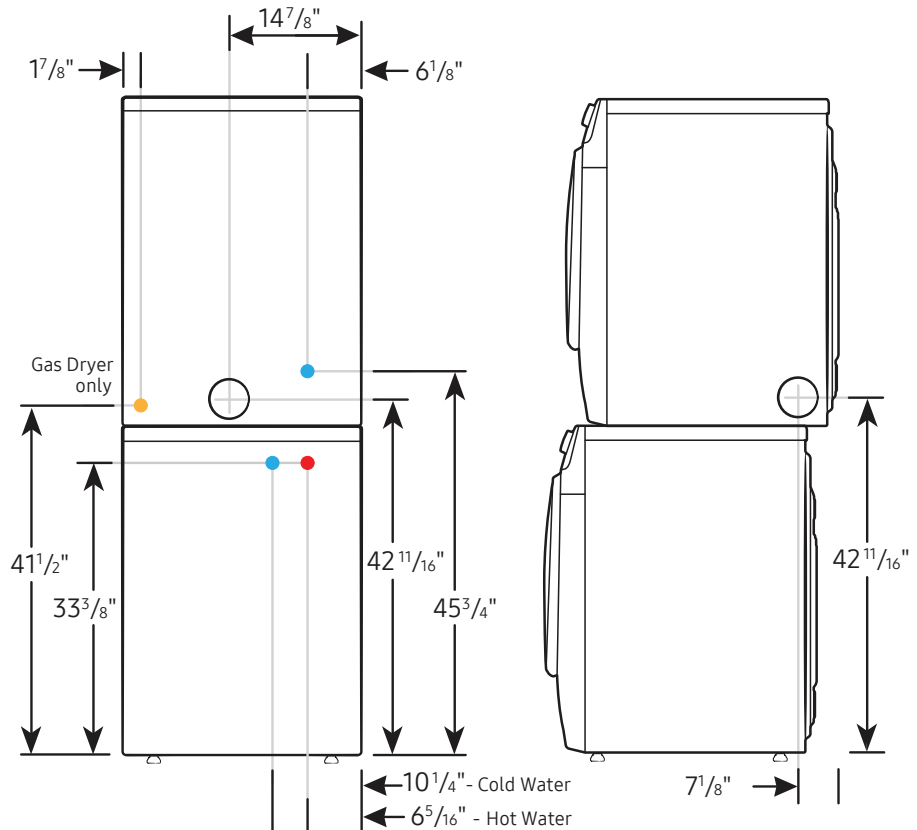
Installation Specifications – Stacked Pair

Clearances indicated are for stacked pairs. The closet front must have two unobstructed air openings for a combined minimum total area of 72-inch².



Connection Dimensions

Back and side views of stacked pair



- LEGEND:**
- Cold Water Connection
 - Hot Water Connection
 - Gas Connection

Actual color may vary. Design, specifications, and color availability are subject to change without notice. Non-metric weights and measurements are approximate.

©2022 Samsung Electronics America, Inc., 85 Challenger Road, Ridgefield Park, NJ 07660. Tel: 800-SAMSUNG.samsung.com. Samsung is a registered trademark of Samsung Electronics Co., Ltd.