

UC-15IPO

FEATURES

Approved for outdoor use

Produces up to 50 lbs. of ice per day

Clean and change filter indicator light

Water-filtration system reduces contaminants, chlorine taste and odor

Built-in ice scoop

Two, four and eight-hour delay feature

Easy-access control panel

Produces ice in temperatures up to 100° F

Rigorously tested in our U.S. manufacturing facilities to ensure decades of use

Exceptional 24/7 support from Madison, WI-based Customer Care team

ACCESSORIES

Replacement water filter

Cleaner and sanitizing solution

Stainless steel front panel with pro handle

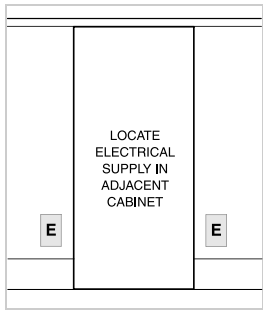
Accessories are available through an authorized Sub-Zero dealer.
For local dealer information, visit subzero-wolf.com/locator.



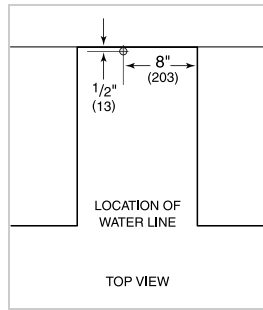
PRODUCT SPECIFICATIONS

Model	UC-15IPO
Dimensions	14 3/4"W x 33 5/8"H x 23"D
Door Clearance	18"
Weight	117 lb
Electrical Supply	115 VAC, 60 Hz
Electrical Service	15 amp dedicated circuit
Plumbing Supply	1/4" OD copper, braided stainless steel or PEX tubing
Plumbing Pressure	20–80 psi
Receptacle	3-prong grounding-type

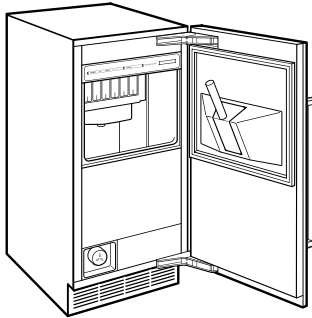
ELECTRICAL



PLUMBING

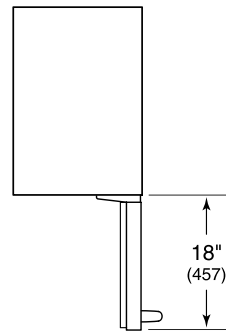
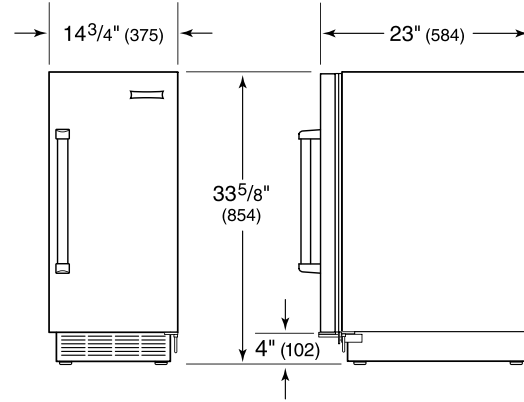


INTERIOR VIEW



This illustration is intended for interior reference only and may not represent the exterior of the model being specified.

DIMENSIONS



STANDARD INSTALLATION

