



30" Outdoor Gas Grill

Like their indoor counterparts, Wolf outdoor grills are precision instruments constructed of heavy-duty stainless steel. This 30-inch grill has powerful burners every five inches for even heat distribution. An electric rotisserie with infrared burner produces succulent poultry and roasts. The Wolf outdoor grill can be built in or used on a cart for portable convenience. Available in natural or LP gas.



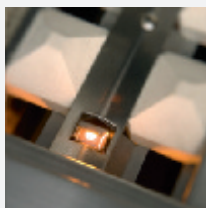
Model OG30 shown with burner module, accessory drawers, outdoor warming drawer and ice machine.

FEATURES

- Can be built in or used in a portable application with accessory cart.
- Crafted of heavy-duty stainless steel.
- Each 25,000 Btu grill burner is individually contained for independent heat control.
- Radiant heat from ceramic briquettes mixes with direct heat for more thorough grilling.
- Two-position rotisserie system with 14,000 Btu infrared burner.
- Stainless steel burner grates.
- Halogen lights illuminate the grilling surface.
- Signature red control knobs are LED lit for night grilling.
- Electric hot surface igniters operate by pushing in control knobs.
- Double wall hood front for insulation.
- Hood assist system with concealed springs for easy opening and closing.
- Three-position warming rack stows away when not in use.



LED lit control knobs.



Hot surface igniter.

MODEL OPTIONS

Natural Gas	OG30
Liquid Propane (LP) Gas	OG30-LP

ACCESSORIES

- Stainless steel portable grill cart with fold-down side shelves and interior pull-out tray (see below).
- Black control knobs.
- Canvas covers for built-in and cart applications.
- Insulating liner for built-in application.
- Stainless steel accessory doors and drawers for built-in enclosure.



Model OG30 Outdoor Gas Grill

Accessories are available through your authorized Wolf dealer. For local dealer information, visit the find a showroom section of our website, wolfappliance.com.

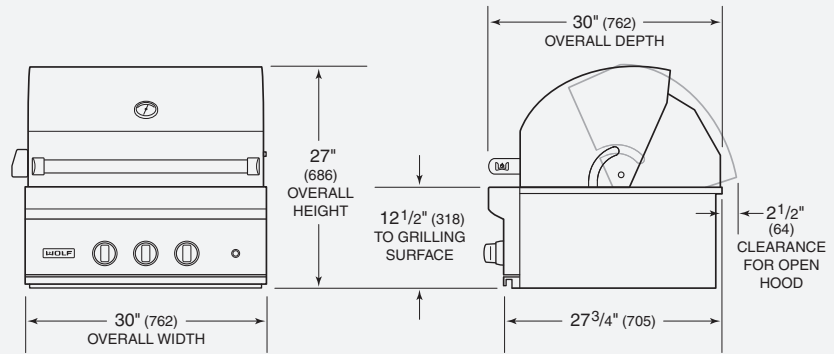


Model OG30 shown with portable grill cart.



30" Outdoor Gas Grill

OVERALL DIMENSIONS



Unit dimensions may vary by $\pm 1/8$ ".

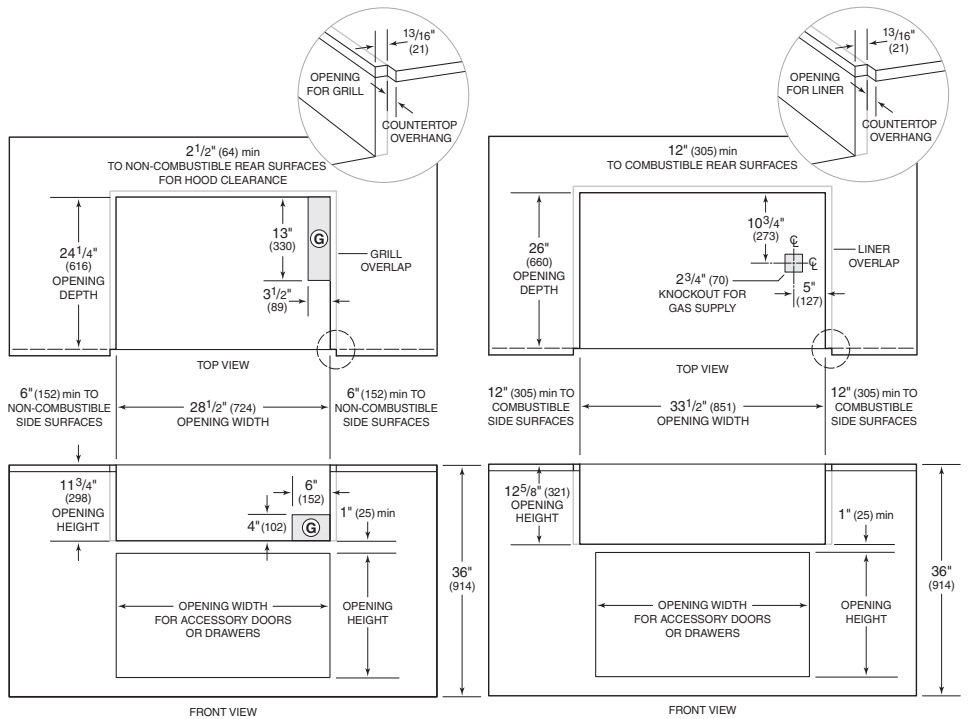
SPECIFICATIONS

Exterior Finish	Stainless Steel
Overall Width	30"
Overall Height	27"
Overall Depth	30"
Burner Rating	
Grill Burners	25,000 Btu
Rotisserie Burner	14,000 Btu
Electrical Requirements	110/120 V AC 60 Hz, 15 amp circuit
Power Cord	6' cord with grounded plug
Shipping Weight	216 lbs

INSTALLATION SPECIFICATIONS

Non-Combustible Enclosure

Combustible Enclosure with Liner



INSTALLATION NOTES

The Wolf outdoor gas grill is designed for easy placement into a built-in enclosure. Minimum clearances must be maintained as shown in the illustrations.

Complete installation specifications can be found on our website, wolfappliance.com.

Dimensions in parentheses are in millimeters unless otherwise specified.