



WALL HOODS – 10" HIGH

Viking Professional – VWH

APPEARANCE AND DESIGN

- Heavy-duty construction; professional-type size, construction, design, and styling
- Virtually seamless design with no visible screws
- Halogen lights for better visibility and efficiency
 - Dimmer on lights allows custom lighting – separate on/off switch allows consumer to leave dimmer at favorite position
- Heat sensor turns ventilator on full power when cooking temperatures reach uncomfortable levels
- Allows replacement of most older, low-performance hoods with minimal cabinet alteration
- 460 CFM interior-power ventilator comes standard with product and quietly delivers powerful smoke and odor removal
- Recommended for use with 30" wide ranges, rangetops, and cooktops, and 36" wide non-griddle ranges, rangetops, and cooktops. For larger equipment, use 18" high wall hood

EASY MAINTENANCE AND CLEANUP

- Commercial-type baffle filter system efficiently removes grease and heated vapors from the air; especially designed for use with commercial-type products
- Dishwasher-safe filters are easily removed for quick cleaning
- Design of low-profile filter system means less interior hood space to be cleaned
- Interior of rangehood canopy has stainless steel liner for increased rigidity, seamless appearance, and easy cleaning



MODEL NUMBERS

- VWH3010 – 10" H./ 30"W. Wall Hood - 460 CFM Ventilator
- VWH3610 – 10" H./ 36"W. Wall Hood - 460 CFM Ventilator
- VWH3010L – 10" H./ 30"W. Wall Hood - 390 CFM Ventilator
- VWH3610L – 10" H./ 36"W. Wall Hood - 390 CFM Ventilator
- VWH3010M – 10" H./ 30"W. Wall Hood - 300 CFM Ventilator
- VWH3610M – 10" H./ 36"W. Wall Hood - 300 CFM Ventilator

ACCESSORIES

- VRK30SS – Recirculating Hood Conversion Kit for 30" Hood
- VRK36SS – Recirculating Hood Conversion Kit for 36" Hood
- CFV13 – Replacement Charcoal Filter for VRK
- WGP30SS – Wall Hood Warming Shelf Panels for 30" Hood
- WGP36SS – Wall Hood Warming Shelf Panels for 36" Hood
- BKS30SS – Wall Hood Backsplash for 30" Hood
- BKS36SS – Wall Hood Backsplash for 36" Hood
- DCW30SS – Wall Hood Duct Cover for 30" Hood
- DCW36SS – Wall Hood Duct Cover for 36" Hood

COLOR FINISHES

- Available in seven exclusive color finishes
- Stainless Steel (SS), Black (BK), White (WH), Apple Red (AR), Burgundy (BU), Cobalt Blue (CB), Graphite Gray (GG)



WARRANTY

- 2-year full – complete product
- 90-day full – cosmetic parts such as glass, painted items and decorative items
- 5-year limited – ventilator motors



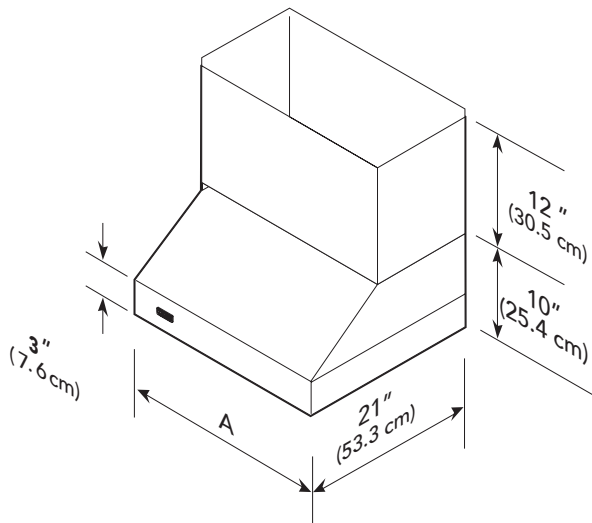
WALL HOODS – 10" HIGH

Viking Professional – VWH

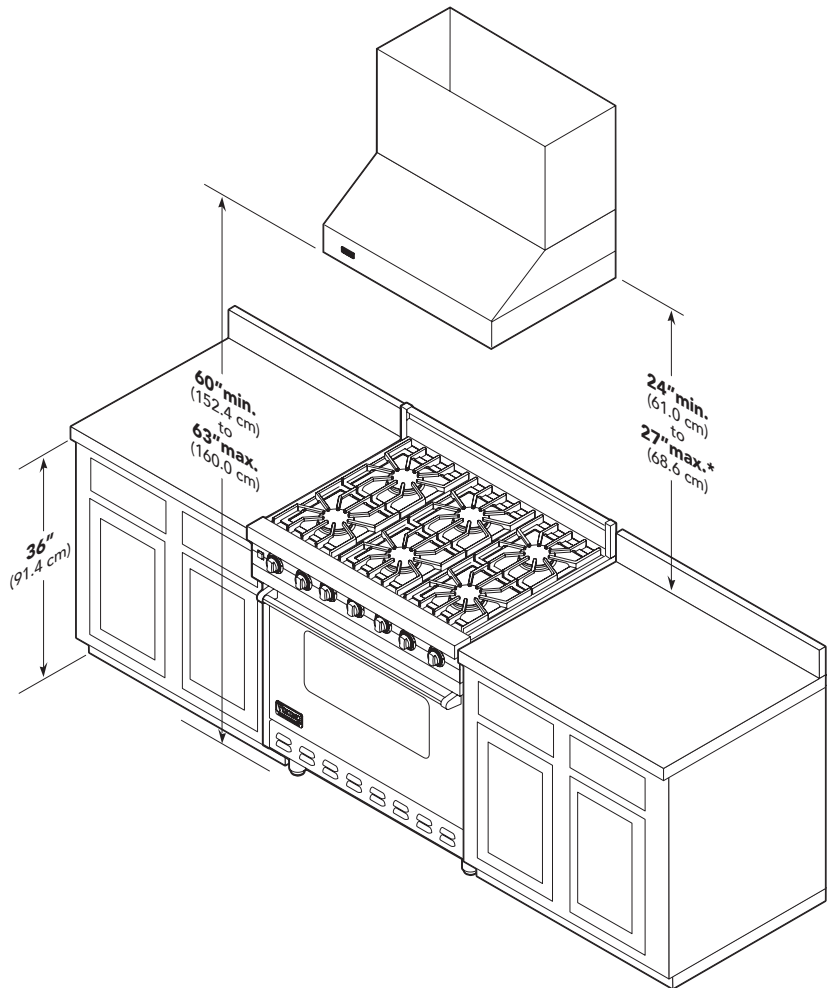
10" WALL HOODS WITH VENTILATOR		
DESCRIPTION	VWH3010	VWH3610
Overall Width	29-7/8" (75.9 cm)	35-7/8" (91.1 cm)
Overall Height	10" (25.4 cm)	
Overall Depth	21" (53.3 cm)	
Interior ventilator kit	Standard 460 CFM / L-390 CFM / M-300 CFM	
Interior duct size**	7" (17.8 cm)	
Interior - Maximum amps	4.9	
Approximate Shipping Weight	56 lbs. (25.2 kg)	60 lbs. (27 kg)

Please do not prepare installation from brochure data only. See installation instructions for important clearance/installation information.

** Disregard when using recirculating kits. 460 CFM blower is shipped with hood. Maximum duct run is 50 ft.



	A (Hood width)
30"W.	29-7/8" (76.2 cm)
36"W	35-7/8" (91.1 cm)



VIKING RANGE, LLC 111 FRONT STREET GREENWOOD, MISSISSIPPI 38930 USA

For detailed product information, model numbers, or to request a quote call 1-888-845-4641 or visit vikingrange.com
 © 2014 Viking Range, LLC All rights reserved. Specifications subject to change without notice.