

# 24" Bar Handle Dishwasher

## 500 Series- White

### SHX65P02UC



#### Features and Benefits

##### Key Features

- 47 dBA- Quietest Dishwasher Brand.
- Red Remaining Time Display
- 19 h Delay Start Timer
- 500 Series Racks
- InfoLight® Beams on Floor to Indicate Dishwasher is Running

##### Design

- Stainless Steel TallTub
- Real Stainless Steel Fascia Panel

##### Performance

- 4 Wash Cycles and 2 Options
- Sanitize Option eliminates bacteria and enhances drying results
- Variable Spray Pressure

##### Efficiency

- Saves up to 280 gallons of water each year
- 259 kWh/yr - Energy Star®
- Exceeds ENERGY STAR Requirements for Water by 69%
- EcoSense™ Reduces Energy Usage by up to 20%
- Half Load Option for small loads

##### Convenience

- AquaStop® Leak Protection
- Multi-Function LED with Remaining Time
- Express Wash - In 30 Minutes or Less
- Rinse Cycle- Instead of PreRinsing

##### Capacity

- 14 Place Setting Capacity



Notes: All height, width and depth dimensions are shown in inches. \*Please refer to installation instructions prior to making cutout. BSH reserves the absolute and unrestricted right to change product materials and specifications, at any time, without notice. Consult the product's installation instructions for final dimensional data and other details. Applicable product warranty can be found in a accompanying product literature or you may contact your account manager for further details.

For more information on our entire line of products, go to [boschappliances.com](http://boschappliances.com) or call 1-800-944-2904.  
Copyright ©2022 BSH Home Appliances Corporation. All rights reserved. Bosch is a registered trademark of Robert Bosch GmbH.

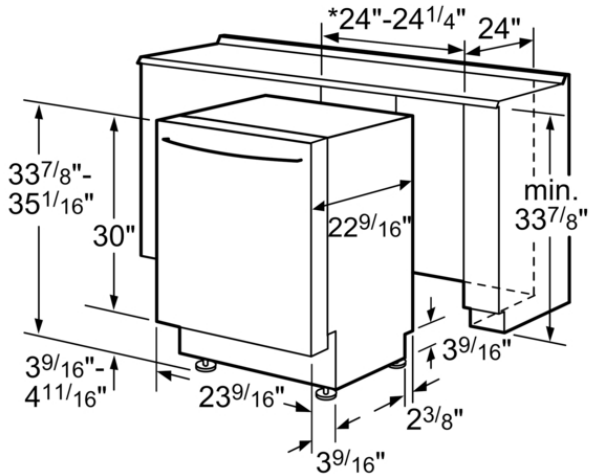
Litho Date: 05/2022



# 24" Bar Handle Dishwasher

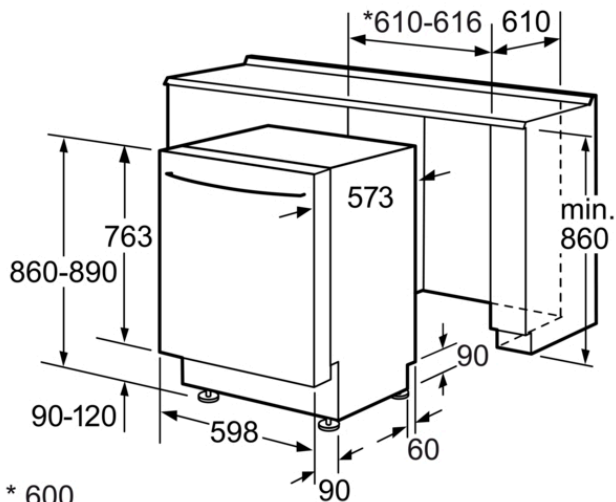
## 500 Series- White

### SHX65P02UC



\* 23<sup>5</sup>/<sub>8</sub>" without decor strips

measurements in inches



\* 600

without decor strips

Measurements in mm

#### Features

|   |                                |
|---|--------------------------------|
| Watts                                     | 1400                           |
| Fuse protection                           | 12                             |
| Volts                                     | 120                            |
| Frequency                                 | 60                             |
| Power Cord Length                         |                                |
| Minimum Water Pressure                    | 15.0                           |
| Length inlet hose (in)                    |                                |
| Length outlet hose (in)                   | 90 1/2                         |
| Overall appliance dimensions (HxWxD) (in) | 33 7/8 " x 23 9/16 "           |
| Required cutout size (HxWxD) (in)         | x 33 15/16 " - 35" x 23 9/16 " |
| Adjustable feet                           | Yes - all from front           |

#### Technical Specification

|                                 |                 |
|---------------------------------|-----------------|
| Number of Options               | 3               |
| Number of programmes            | 6               |
| Third Rack                      | None            |
| Tube material                   | Stainless steel |
| Concealed heating element       | Yes             |
| Leak protection system          | Aqua Stop       |
| Five-level wash                 | No              |
| Water softener                  | No              |
| ChildLock                       | No              |
| Total annual energy consumption | 259             |
| Energy Efficiency Class         |                 |
| ENERGY STAR®                    | Yes             |
| Total annual energy consumption |                 |
| Total annual water consumption  |                 |
| Number of place settings        | 14              |

Notes: All height, width and depth dimensions are shown in inches. \*Please refer to installation instructions prior to making cutout. BSH reserves the absolute and unrestricted right to change product materials and specifications, at any time, without notice. Consult the product's installation instructions for final dimensional data and other details. Applicable product warranty can be found in a accompanying product literature or you may contact your account manager for further details.

For more information on our entire line of products, go to [boschappliances.com](http://boschappliances.com) or call 1-800-944-2904.

Copyright ©2022 BSH Home Appliances Corporation. All rights reserved. Bosch is a registered trademark of Robert Bosch GmbH.

Litho Date: 05/2022

