

ASSEMBLY INSTRUCTION

ITEM: 628-50733-05 Dream Weaver Bar Cabinet

Thank you for purchasing this quality product. Be sure to unpack carefully looking for small parts which may have come loose during shipment.

Read all instruction and study the drawing carefully before starting the assembly process.

HARDWARE PACK				
NO.	DRAWING	DESCRIPTION	SIZE	Q'TY
A		Allen Wrench	73*29*5mm	1 PC
B		Bolt	5/16"x90mm	8 PCS
C		Bolt	5/16"x40mm	2 PCS
D		Lock Washer	Ø5/16"	10 PCS
E		Flat Washer	Ø5/16"x22mm	10 PCS
F		Bolt	1/4"x25mm	2 PCS
G		Lock Washer	Ø1/4"	2 PCS
H		Flat Washer	Ø1/4"x16mm	2 PCS
I		Allen Wrench	69*27.2*4mm	1 PC
J		L Shape Bracket	75*30*38mm	2 PCS
K		Glass Shelf	994*337*5mm	2 PCS
L		Screw	8#*11/4	2 PCS
M		Plastic Anchor		2 PCS

PARTS LIST			
NO.	DRAWING	DESCRIPTION	Q'TY
1		Case Body	1 PC
2		Left Base	1 PC
3		Right Base	1 PC
4		Bottom Stretcher	1 PC
5		Wooden Shelf Frame	2 PCS

Step 1:

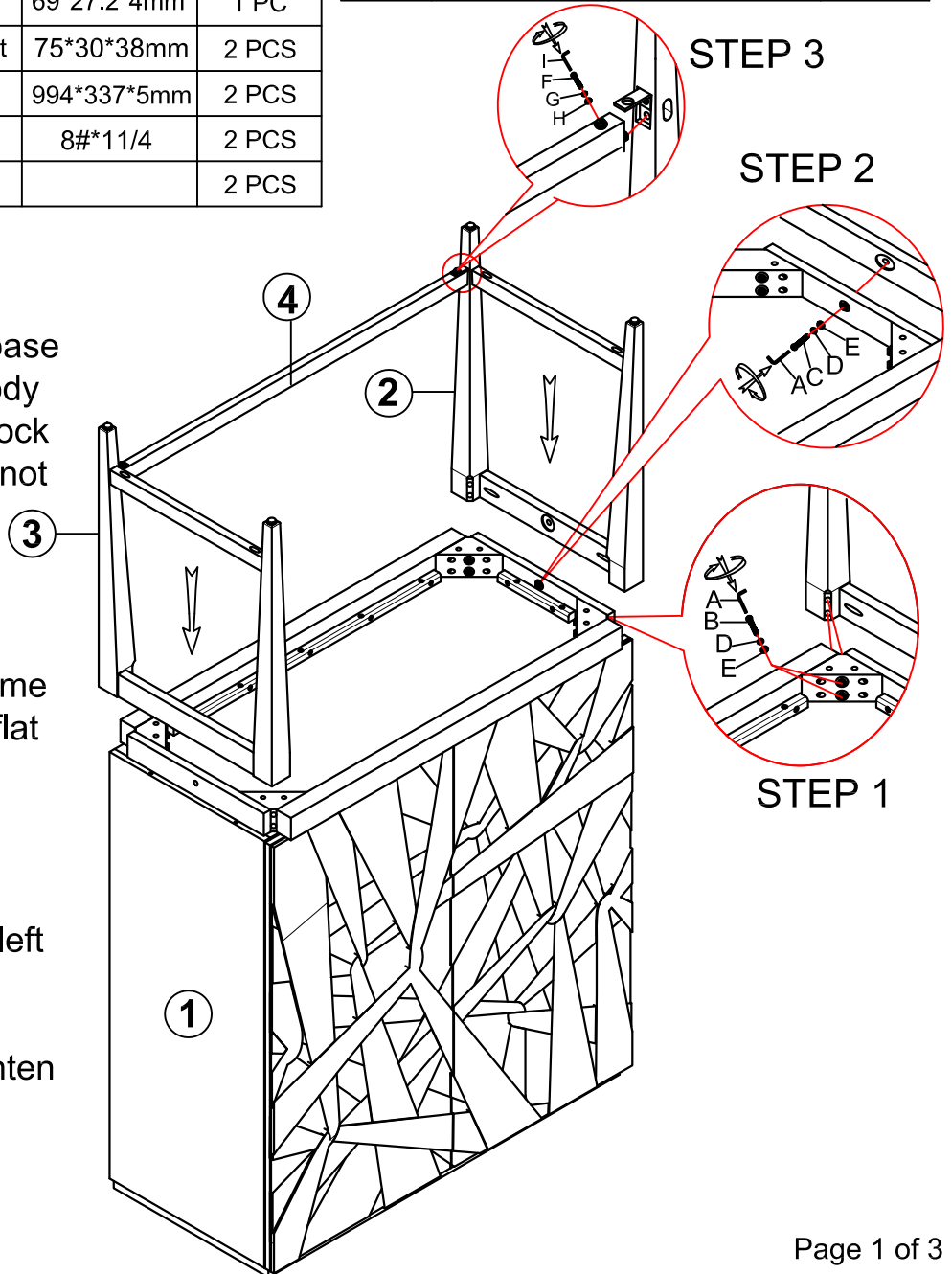
Attach left base (2) and right base (3) to corner blocks of case body (1) by using flat washers (E), lock washers (D) and bolts (B), do not tighten.

Step 2:

Secure left base (2) and right base (3) to the bottom side frame of the case body (1) by using flat washers (E), lock washers (D) and bolts (C), do not tighten.

Step 3:

Attach bottom stretcher (4) to left base (2) and right base (3) by using flat washers (H), lock washers (G) and bolts (F), tighten all bolts with allen wrench (I).



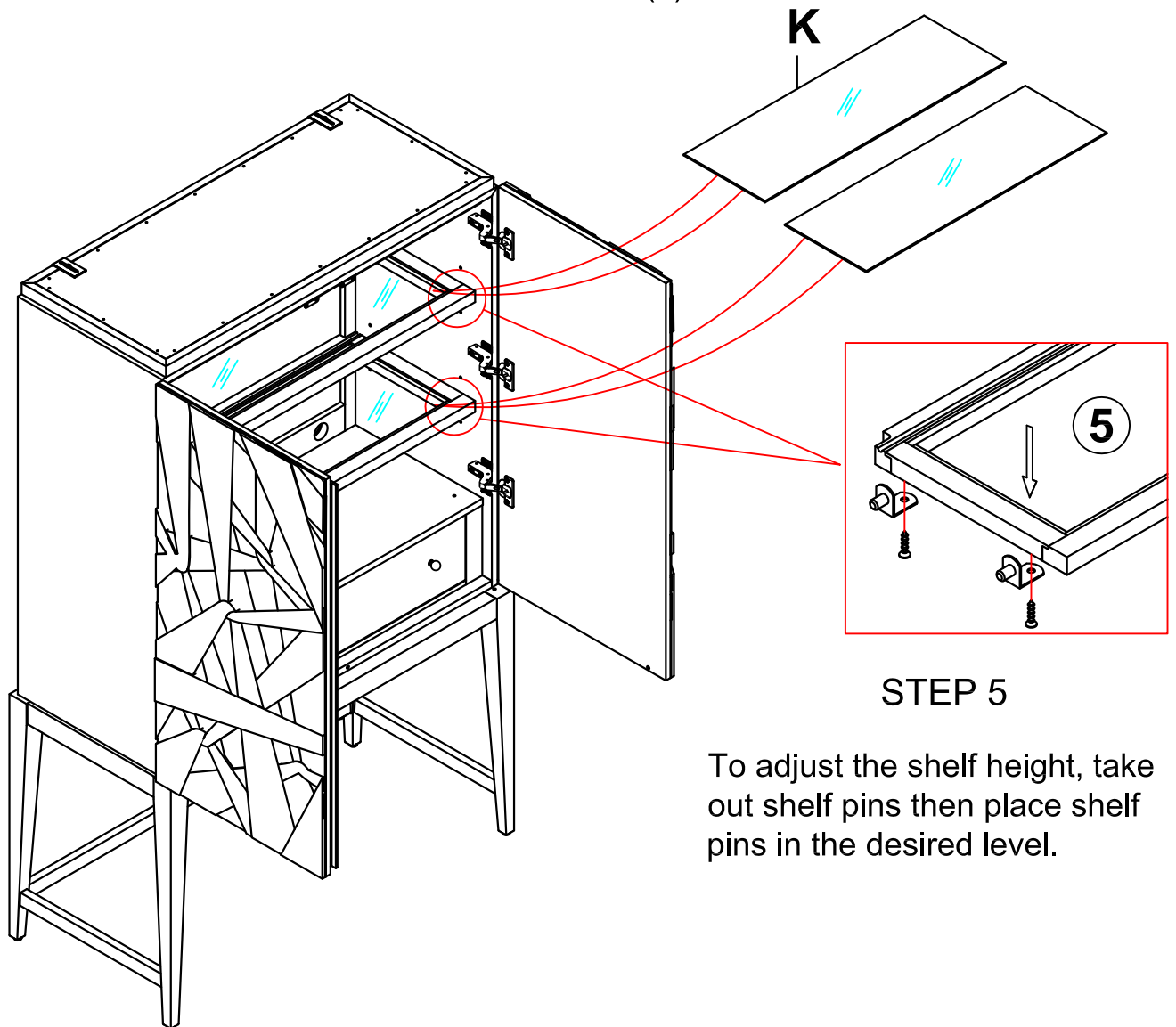
Thank you for purchasing this quality product. Be sure to unpack carefully looking for small parts which may have come loose during shipment.

Read all instruction and study the drawing carefully before starting the assembly process.

STEP 4

The adjustable glass shelves (K) are packed in inner box to avoid damage during transit.

Take out glass shelves from box and place them on wooden shelf frames (5).

**STEP 5**

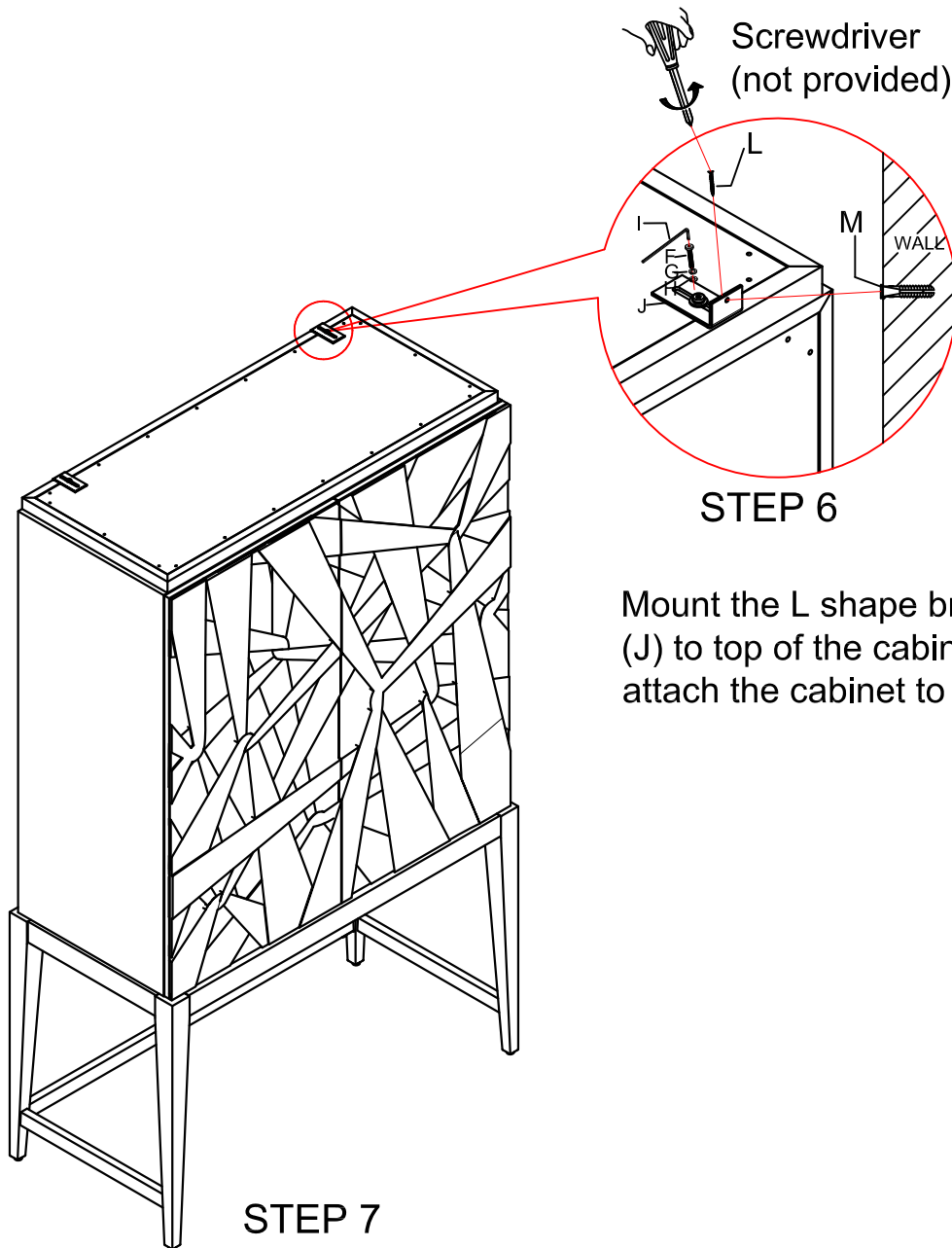
To adjust the shelf height, take out shelf pins then place shelf pins in the desired level.

ASSEMBLY INSTRUCTION

ITEM: 628-50733-05 Dream Weaver Bar Cabinet

Thank you for purchasing this quality product. Be sure to unpack carefully looking for small parts which may have come loose during shipment.

Read all instruction and study the drawing carefully before starting the assembly process.

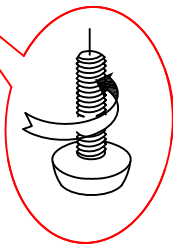


Screwdriver
(not provided)

STEP 6

Mount the L shape brackets (J) to top of the cabinet, then attach the cabinet to the wall.

STEP 7



Adjust leveler if needed to level cabinet on uneven floor.