


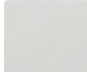
# DVG50BG8300

# SAMSUNG

## 7.5 cu. ft. Smart Gas Dryer with Steam Sanitize+ and Sensor Dry



### Available Colors

-  **Brushed Black**  
DVG50BG8300V
-  **Ivory**  
DVG50BG8300E

### Features

- Steam Sanitize+
- ENERGY STAR® Certified
- Flexible Installation
- Wi-Fi Connectivity<sup>1</sup>
- Sensor Dry
- 7.5 cu. ft. Ultra Capacity
- Vent Sensor
- Lint Filter Indicator
- Stainless Steel Drum
- Premium Tempered Glass Door
- Closet-Depth Fit<sup>2</sup>
- Internal Drum Light
- Reversible Dryer Door
- Smart Care
- ADA Compliant<sup>3</sup>
- 21 Total Drying Cycles
- 10 Options
- 5 Temperature Settings
- 3-Way Venting (Back, Bottom, Left)

### Convenience

- Child Lock
- Filter Check Indicator

### Electrical Requirements

120 V / 60 Hz  
15 Amps



### Specifications

#### 12 Preset Drying Cycles:

Refresh, Steam Sanitize+, Normal, Heavy Duty, Permanent Press, Activewear, Bedding, Delicates, Time Dry, Air Fluff, Quick Dry, Downloaded

#### 9 Downloadable Drying Cycles:

Wrinkle Away, Eco Normal, Towels, Wool, Sanitize, Shirts, Denim, Low Temp, Rack Dry

#### 10 Options:

Damp Alert, Wrinkle Prevent, Smart Control, Adjust Time (Up), Adjust Time (Down), Eco Dry, Alarm Off, Drum Light, Smart Care, Child Lock

#### 5 Temperature Settings:

High, Medium High, Medium, Medium Low, Low

#### 5 Dry Levels:

More Dry, Normal-More Dry, Normal Dry, Normal-Less Dry, Less Dry

#### Warranty

One (1) Year Parts and Labor

#### Product Dimensions & Weight (WxHxD)

Dimensions: 27" x 38<sup>3</sup>/<sub>4</sub>" x 31<sup>7</sup>/<sub>16</sub>"

Weight: 119 lbs

#### Shipping Dimensions & Weight (WxHxD)

Dimensions: 29<sup>3</sup>/<sub>8</sub>" x 42<sup>9</sup>/<sub>16</sub>" x 34<sup>11</sup>/<sub>16</sub>"

Weight: 125.7 lbs

Gas Dryer	Model #	UPC Code
Brushed Black	DVG50BG8300V	887276660899
Ivory	DVG50BG8300E	887276660882
Electric Dryer		
Brushed Black	DVE50BG8300V	887276660875
Ivory	DVE50BG8300E	887276660868
Matching Washer		
Brushed Black	WF50BG8300AV	887276660912
Ivory	WF50BG8300AE	887276660905

Optional Accessories	Model #	UPC Code
Brushed Black Pedestal	WE402NV	887276310145
Ivory Pedestal	WE402NE	887276529073
Brushed Black Riser	WE272NV	887276197630
Stacking Kit	SKK-8K	887276344034
Vent Kit	DV-2A	887276146416
Gas to Propane Converter Kit	LPKIT-4	887276352787

<sup>1</sup>Requires wireless network, Samsung account and SmartThings App. The Samsung SmartThings App supports Android OS 4.0 (ICS) or later which is optimized for Samsung smartphones (Galaxy S and Galaxy Note series). This app also supports iOS 7 or later for iPhone models. SmartThings App available in App Store and Play Store. Only monitoring enabled on Gas Dryers for safety reasons.

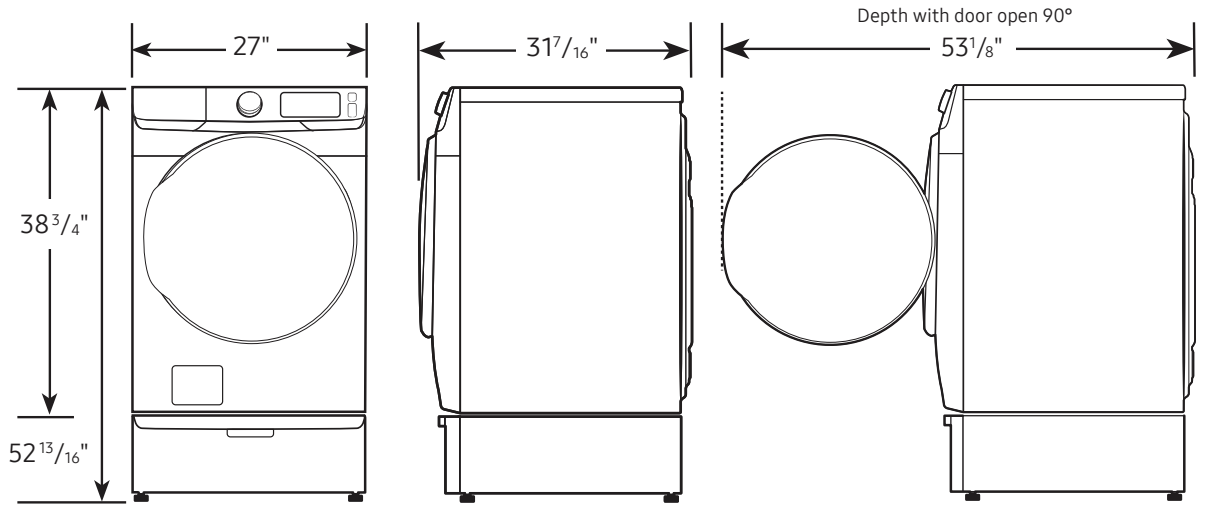
<sup>2</sup>Designed to fit a 40" installation depth.

<sup>3</sup>ADA Compliant when using 27" wide riser. (Riser model codes: WE272NV, WE272NW, WE272NC)

7.5 cu. ft. Smart Gas Dryer with Steam Sanitize+ and Sensor Dry

**Dimensions**

Required dimensions for installation with pedestal:

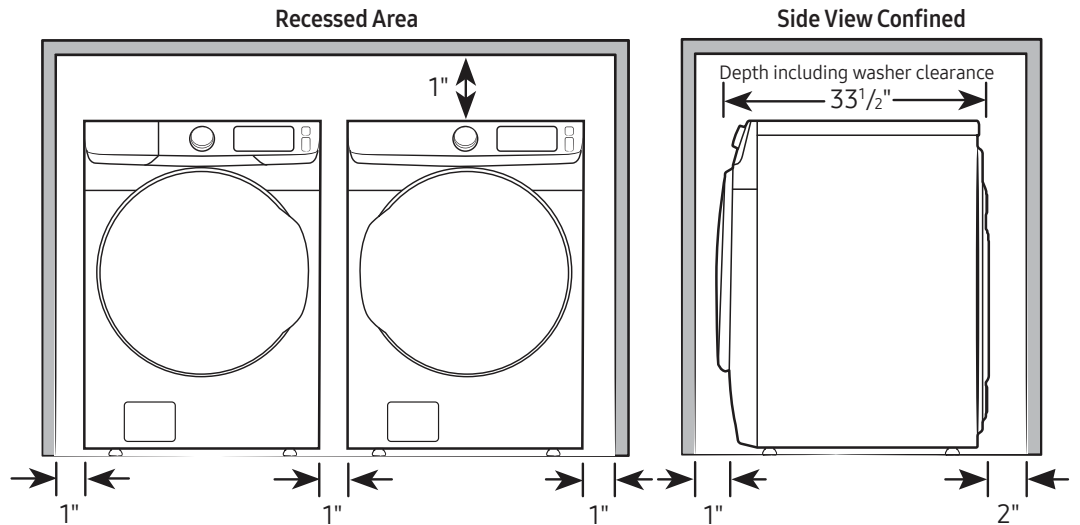


**Installation Specifications – Side-by-Side**

If the washer and dryer are installed together or the dryer alone, the closet front must have two unobstructed air openings for a combined minimum total area of 72-inch<sup>2</sup>. Your washer alone does not require a specific air opening.

**Alcove or closet installation**

Minimum clearance for closet and alcove installations:



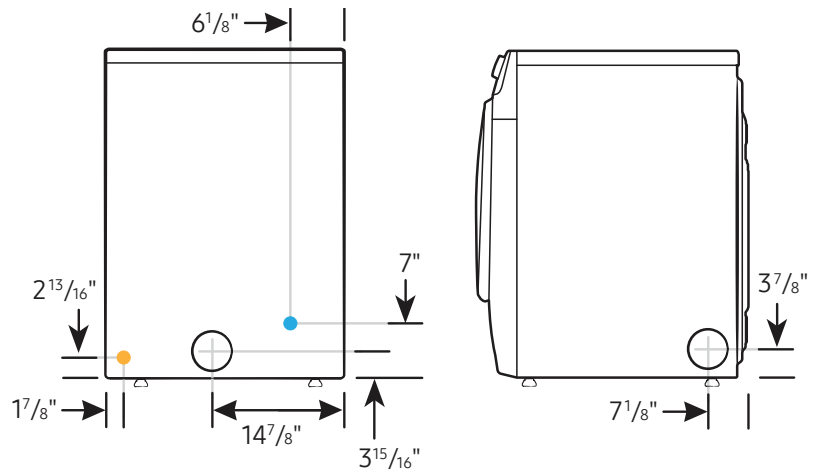
**Connection Dimensions**

Back and side view of dryer

**LEGEND:**

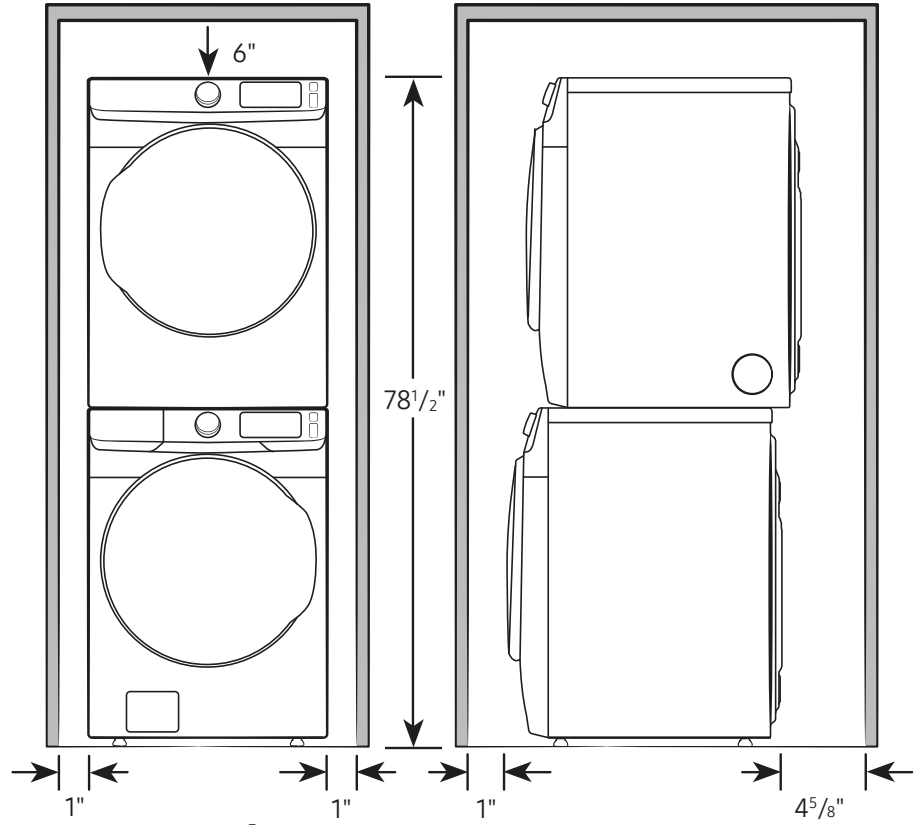
- Cold Water Connection
- Gas Connection

Actual color may vary. Design, specifications, and color availability are subject to change without notice. Non-metric weights and measurements are approximate.



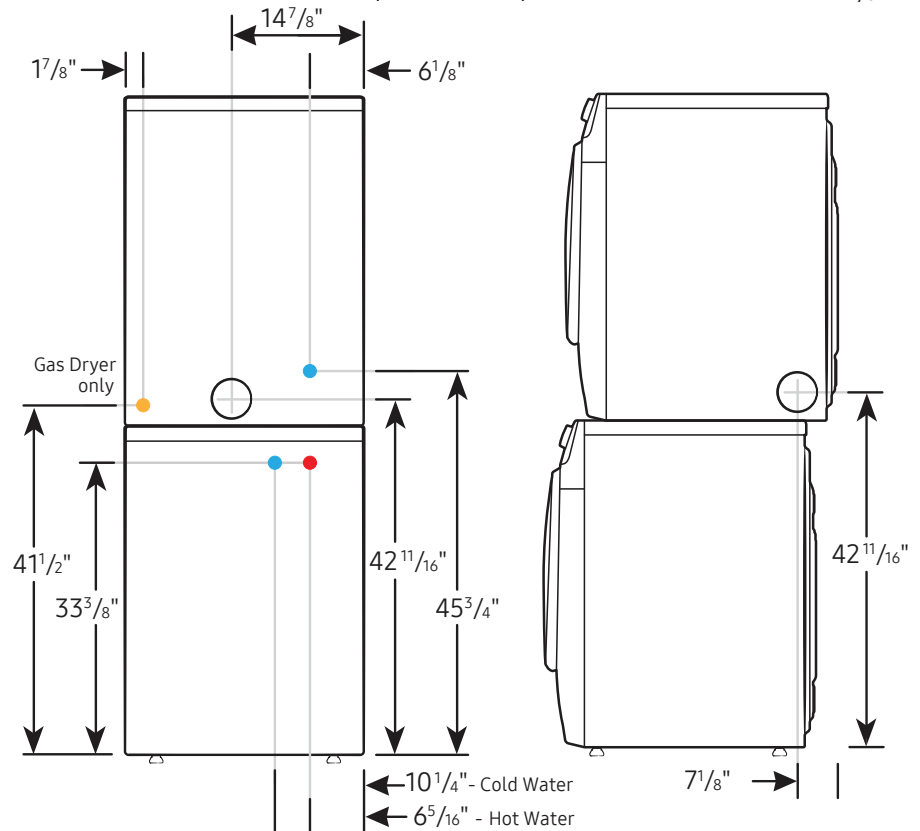
### Installation Specifications – Stacked Pair

Clearances indicated are for stacked pairs. The closet front must have two unobstructed air openings for a combined minimum total area of 72-inch<sup>2</sup>.



### Connection Dimensions

Back and side views of stacked pair



- LEGEND:**
- Cold Water Connection
  - Hot Water Connection
  - Gas Connection

Actual color may vary. Design, specifications, and color availability are subject to change without notice. Non-metric weights and measurements are approximate.