

# ASSEMBLY INSTRUCTION TIOGA COLLECTION


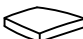




MODEL : TIOGA DINING CHAIR (2 PER CARTON)






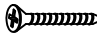

Thank you for purchasing this quality product. Be sure to check all packing materials carefully for small parts, which may have come loose inside the carton during shipment. Identify and count all items and compare with the parts list and/or hardware list shown below.

Please read all instructions carefully. See the hardware and furniture part listing for guidance. Be sure you have all parts listed before beginning assembly. Place all wooden parts on a clean, flat surface to protect the finish from scratches. Follow the diagram to assemble.

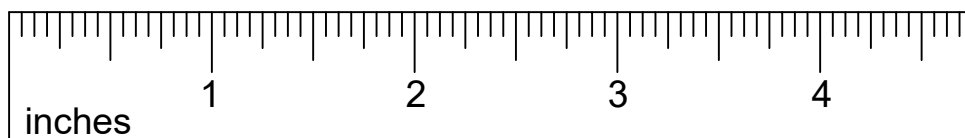
### CAUTION

1. Do not fully tighten the nuts or bolts until the table is fully assembled.
2. Please tighten by hand, not by a drill. Overtightening will damage threads. Do not overtighten.
3. Keep all hardware out of the reach of children.

PARTS LIST			
ITEM	DESCRIPTION	SKETCH	QTY
A	BACKREST		2 PCS
B	SEAT		2 PCS
C	RIGHT SIDE FACING LEG w/ LABEL "R"		2 PCS
D	LEFT SIDE FACING LEG w/ LABEL "L"		2 PCS
E	RIGHT SIDE FACING STRETCHER w/ LABEL "R"		2 PCS
F	LEFT SIDE FACING STRETCHER w/ LABEL "L"		2 PCS

HARDWARE LIST			
ITEM	DESCRIPTION	SKETCH	QTY
1	SHORT JCBC SCREW M6 x 1-3/8"		4 PCS
2	MEDIUM JCBC SCREW M6 x 2-3/8"		8 PCS
3	LONG JCBC SCREW M6 x 3-3/16"		8 PCS
4	SPRING WASHER M6 x 7/16"		20 PCS
5	FLAT WASHER M6 x 6/8"		20 PCS
6	CSK C/B SCREW (M4 x 1-1/2")		8 PCS
7	ALLEN KEY M4 (3-15/16")		1 PC

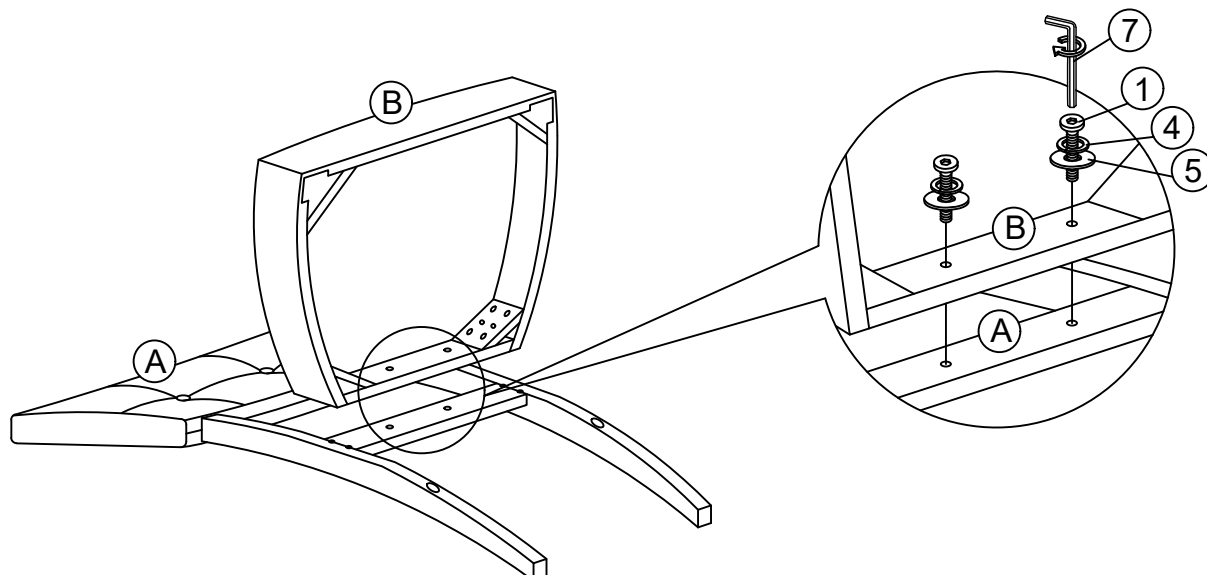
### HARDWARE DIMENSIONS VERIFICATION TOOL



**STEP 1:** Place the Backrest (A) on a soft and clean surface.

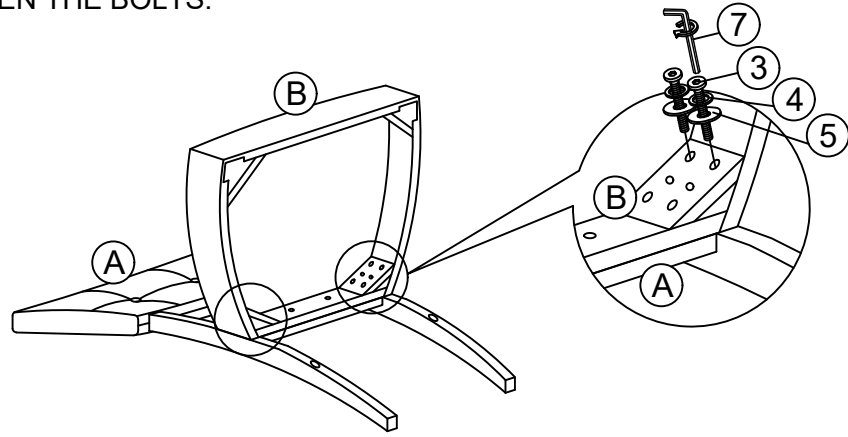
Assemble the Seat (B) with the Backrest (A) by using the Allen Key (7) with hardware 1, 4, and 5.

**\*\*Attention: DO NOT TIGHTEN THE BOLTS.**



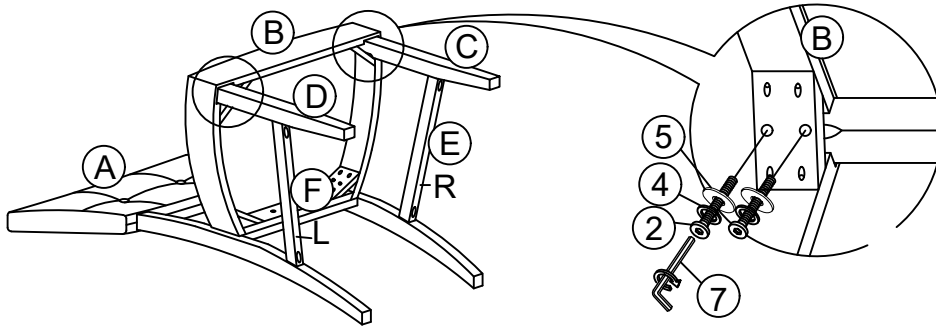
**STEP 2:** Assemble the Seat Frame (B) with the back legs of Backrest (A) by using the Allen key (7) with hardware 3, 4, and 5.

**\*\*Attention: DO NOT TIGHTEN THE BOLTS.**

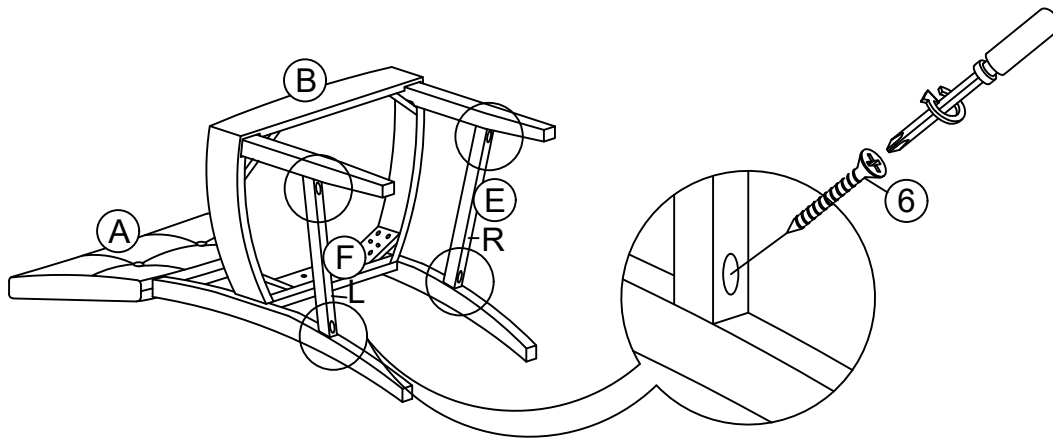


**STEP 3:** Place RIGHT SIDE FACING STRETCHER (E) and between backrest (A) and RIGHT SIDE FACING LEG (C), then LEFT SIDE FACING STRETCHER (F) between backrest (A) and LEFT SIDE FACING LEG (D). Assemble the legs (C & D) with the seat (B) by using Allen key (7) with hardware 2, 4 and 5.

**\*\*Attention: DO NOT TIGHTEN THE BOLTS.**



**STEP 4:** Assemble the stretcher (E & F) by using screwdriver with screw (6).



**STEP 5:** To level the chair, stand the chair up on a flat surface and tighten all the bolts using Allen Key (7) and all the screws with a screwdriver.

