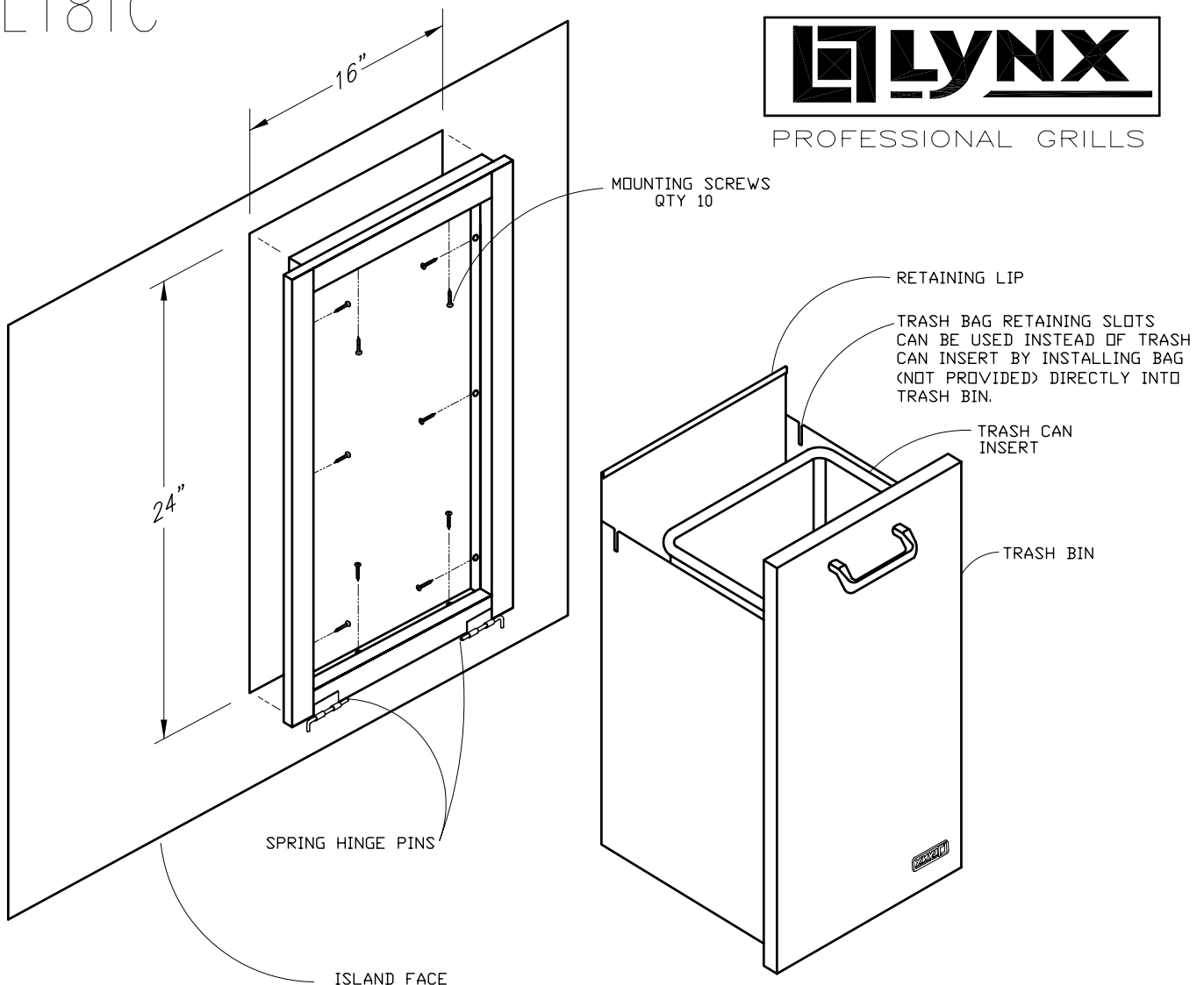


LYNX TRASH CENTER L18TC



PROFESSIONAL GRILLS



ISLAND HOLE CUT-OUT SIZE: 16" WIDE X 24" HIGH.

- 1) DISENGAGE MOUNTING FRAME FROM TRASH BIN BODY BY PULLING TABS OUTWARD OF THE SPRING HINGE PINS. THESE PINS ARE LOCATED AT THE BOTTOM OF THE MOUNTING FRAME.
- 2) INSERT INNER RIM OF FRAME THROUGH ISLAND AND PRESS UNTIL OUTER FRAME RESTS FLUSH. INSTALL ALL (10) SCREWS PROVIDED.
- 3) CAREFULLY LIFT TRASH BIN INTO THE MOUNTING FRAME BY TILTING TRASH BIN SO THAT RETAINING LIP ENTERS FRAME OPENING FIRST.
- 4) SECURE TRASH BIN BY RE-ATTACHING SPRING HINGE PINS ON THE FRAME TO THE RECEIVING HINGES LOCATED ON THE BOTTOM OF THE TRASH BIN.