

809959 & 820036 - Wolf 24" Microwave Trim Kit Installation Instructions For MWTRIM27

<u>CONTAINS:</u>	<u>QTY</u>	<u>DESCRIPTION</u>	<u>QTY</u>	<u>DESCRIPTION</u>
	6	Screws, #6-18x1"	2	Panels, Decorative Trim
	2	Screws, #8-15x1/2" Truss HD	2	Foam Tape, .375 X 1 X 27
	1	Bottom Duct Assembly	2	Foam Tape, .375 X .5 X 18
	1	Frame Assembly	1	Installation Instructions

OPENING PREPARATION PROCEDURE:

1. Locate properly grounded 3-prong receptacle within 4" (102mm) from the right side and 4" (102mm) up from the bottom of the microwave oven cabinet.

⚠ CAUTION

Install the MW24 with a 120V, 60Hz, on a dedicated circuit. This outlet must be checked by a qualified electrician to see if it is wired with correct polarity and is correctly grounded. A GFCI outlet is not recommended as this may cause product operation interruptions.

2. The floor of the opening should be constructed of plywood strong enough to support the weight of the oven and floor load (about 100lbs/.45kg). The floor should be level for proper operation of oven. Be sure to check local building code as it may require that the opening be enclosed with sides, ceiling and rear partition. The proper functioning of the oven does not require this enclosure.

DUCT, MICROWAVE AND TRIM INSTALLATION:

1. Center the bottom duct assembly in opening and secure in place using the #8-15 X 1/2" Truss Head Screws to base of cabinet opening (See Figure 1).
2. Plug power cord in, then carefully guide microwave into opening, lining up feet of microwave with holes in bottom duct assembly, then lower microwave onto duct assembly (See Figures 1 and 2).

NOTE: Verify the power cord is not pinched between oven and wall.

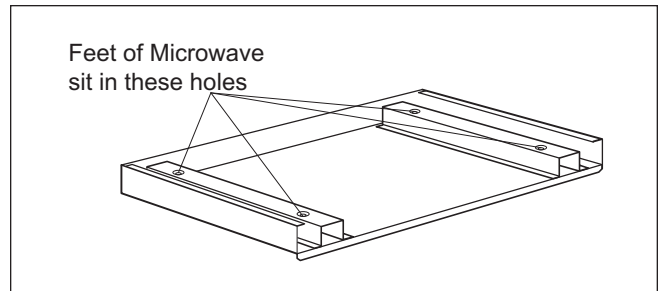


Figure 1. Bottom Duct Assembly

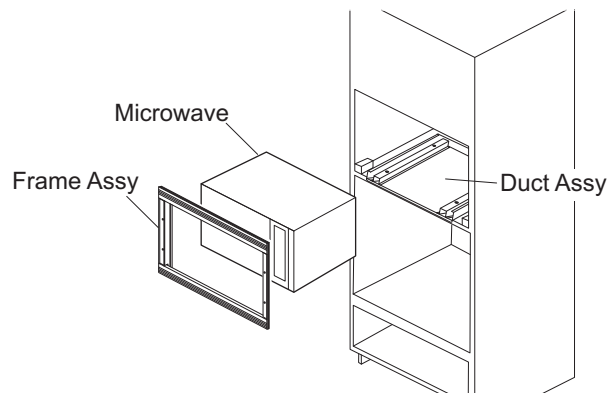


Figure 2. Placing Microwave in Cabinet Cutout

809959 & 820036 - Wolf 24" Microwave Trim Kit Installation Instructions For MWTRIM27

3. Attach the frame assembly directly to the cabinet frame, using four #6-18 x 1" wood screws. The inside edges of side frames should coincide with the edges of the cabinet cutout (See Figure 3).

NOTE: Always be sure to pre-drill a pilot hole before installing screws to avoid damage to cabinet or trim kit hardware.

NOTE: The two pieces of foam tape are to be used if gaps appear between the frame and the microwave perimeter. If gaps are present, remove the trim and adhere the foam tape to the microwave where needed.

4. Adhere the decorative trim panels to the side brackets so that they are tight to the side and bottom of the frame (See Figure 4).

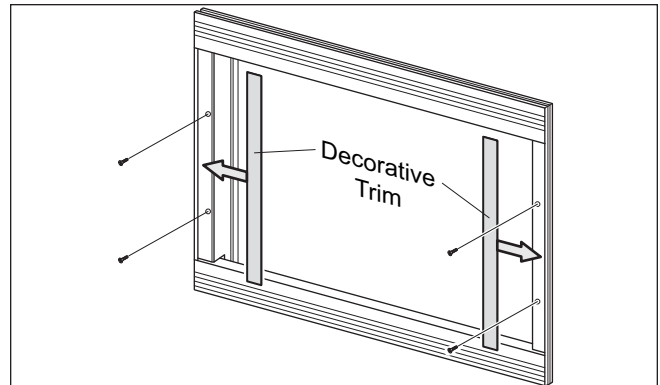


Figure 3. Placing Microwave in Cabinet Cutout

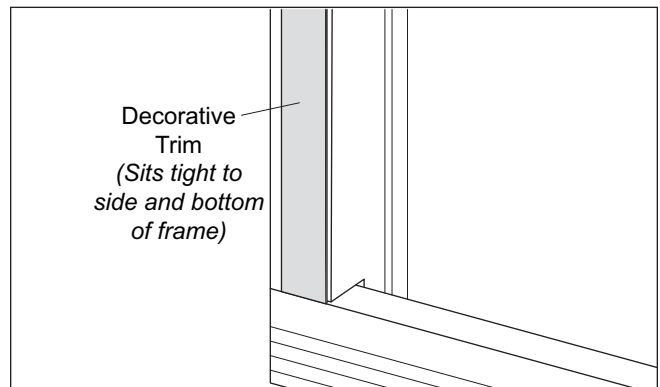


Figure 4. Decorative Trim / Frame Assembly