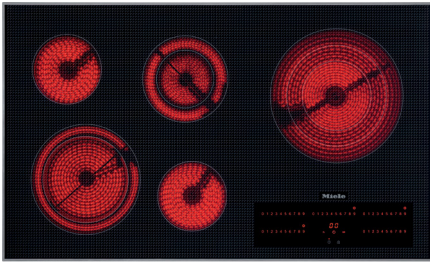


36" 5-Burner Electric Cooktop

KM 5860



36" 5-Burner Electric Cooktop KM 5860



KM 5860

Features:

- New 3D glass design
- Direct Selection Plus touch controls
- High-impact black Ceran glass surface with stainless steel frame
- Residual heat indicators for all zones
- Single and variable zones with over 25% increased power
- Auto-heat reduces heat-up time

SPECIFICATIONS

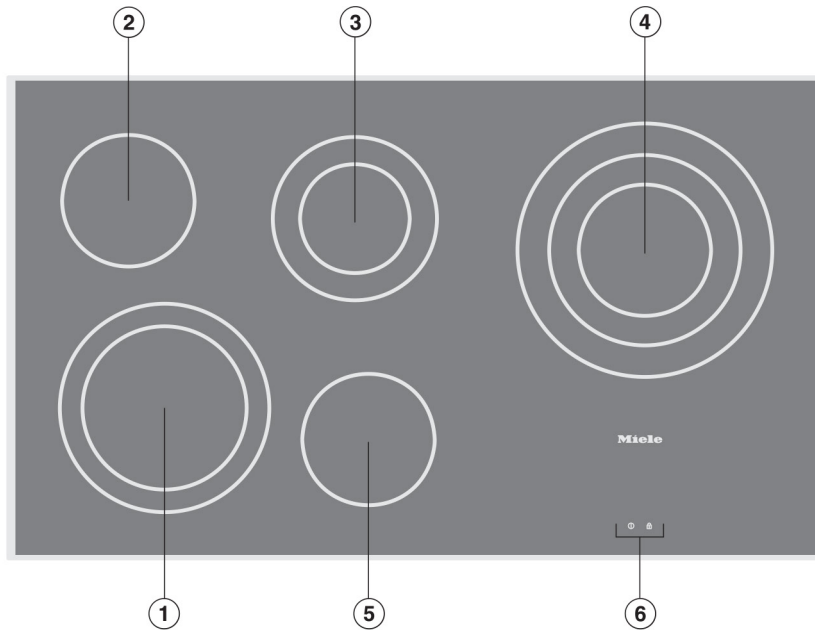
| | |
|---------------------------------|--|
| KM 5860 Electric Cooktop (240V) | Item 26586050USA |
| KM 5860 Electric Cooktop (208V) | Item 26586051USA |
| Product Dimensions | 36" (915 mm) W x 2 ¹¹ / ₁₆ " (68 mm) H x 21 ⁷ / ₁₆ " (544 mm) D |
| Cut-out Dimensions | 34 ¹ / ₂ " (876 mm) W x 20 ³ / ₈ " (518 mm) D |
| Minimum Back Spacing From Wall | 2" (50 mm) |
| Minimum Countertop Thickness | 1 ³ / ₁₆ " (30 mm) |
| Electrical | |
| Electrical Requirements | 208/240V, 60Hz, 50A |
| Power Cable | 4' 8 ¹¹ / ₁₆ " (1.44 m) |
| Shipping | |
| Shipping Weight | 48.5 lbs (22 kg) |
| Shipping Dimensions | 26" W x 6 ⁵ / ₁₆ " H x 40 ³ / ₄ " D |
| Support | |
| Call Miele | 800.999.1360 |
| Miele Website | www.mieleusa.com |
| 20/20 Link | 2020technologies.com |

36" 5-Burner Electric Cooktop KM 5860



PRODUCT VIEWS

Top View



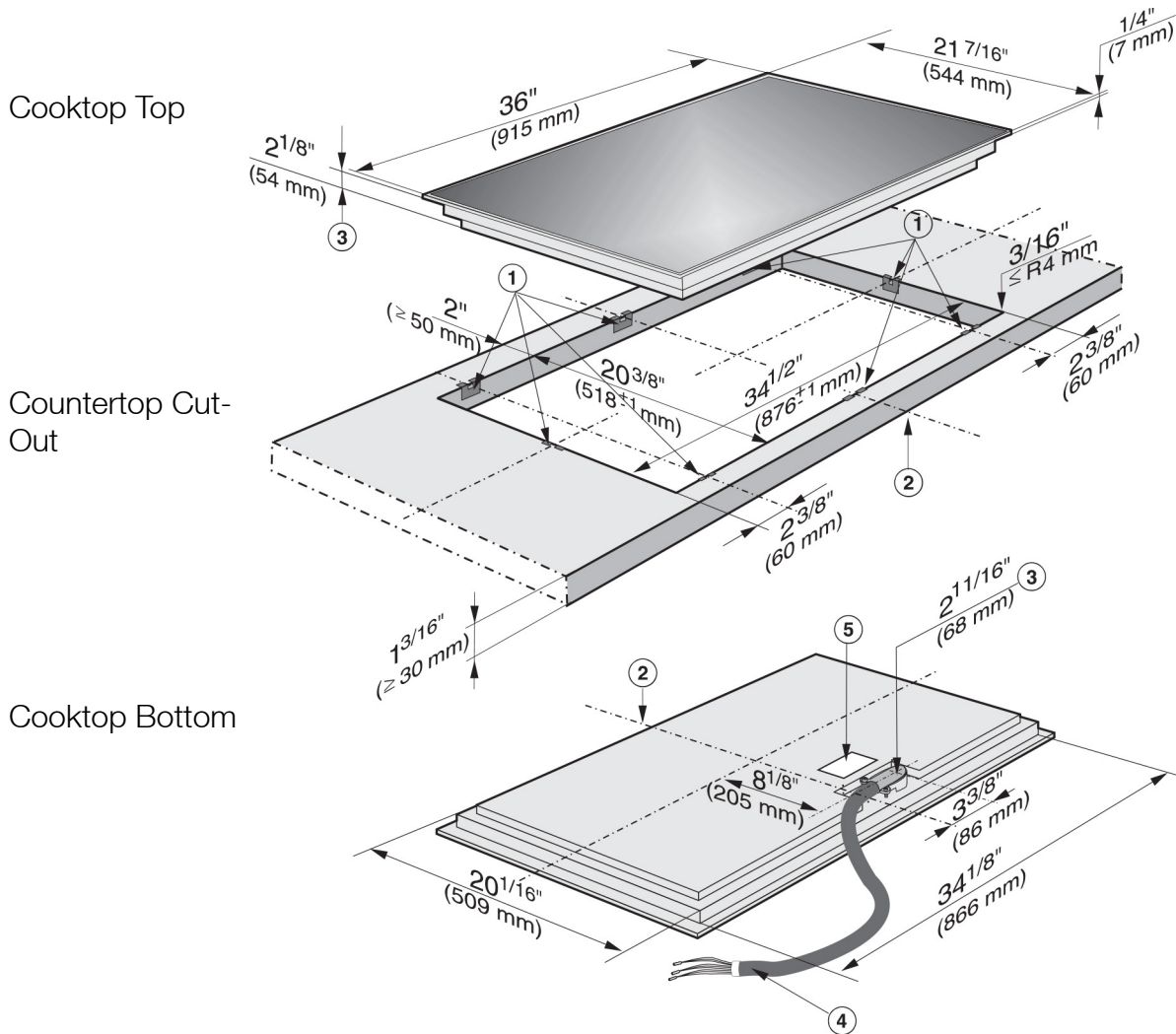
- ①③ Two-zone variable burners
- ②⑤ One-zone burners
- ④ Three-zone variable burner
- ⑥ Control panel

| Burner | Ø Diameter | | Output in watts at 208 / 240 V |
|----------------|------------|------|-----------------------------------|
| | inches | cm | |
| Left front ① | 7 1/16" | 18 | 1600 |
| | 9 1/16" | 23 | 2500 |
| Left rear ② | 5 11/16" | 14.5 | 1200 |
| Center rear ③ | 4 3/4" | 12 | 700 |
| | 7 1/16" | 18 | 1800 |
| Right rear ④ | 5 11/16" | 14.5 | 1100 |
| | 8 1/4" | 21 | 2150 |
| | 10 5/8" | 27 | 3100 |
| Center front ⑤ | 5 11/16" | 14.5 | 1200 |
| | | | Total: 9800 |

36" 5-Burner Electric Cooktop KM 5860



INSTALLATION DIMENSIONS



- ① Spring clips
- ② Front
- ③ Installation height
- ④ Connecting cable, Length = 56 11/16" (1440 mm)
- ⑤ Rating label