



### **Product Features**

Compatible with 36" wide Professional Wall Hoods

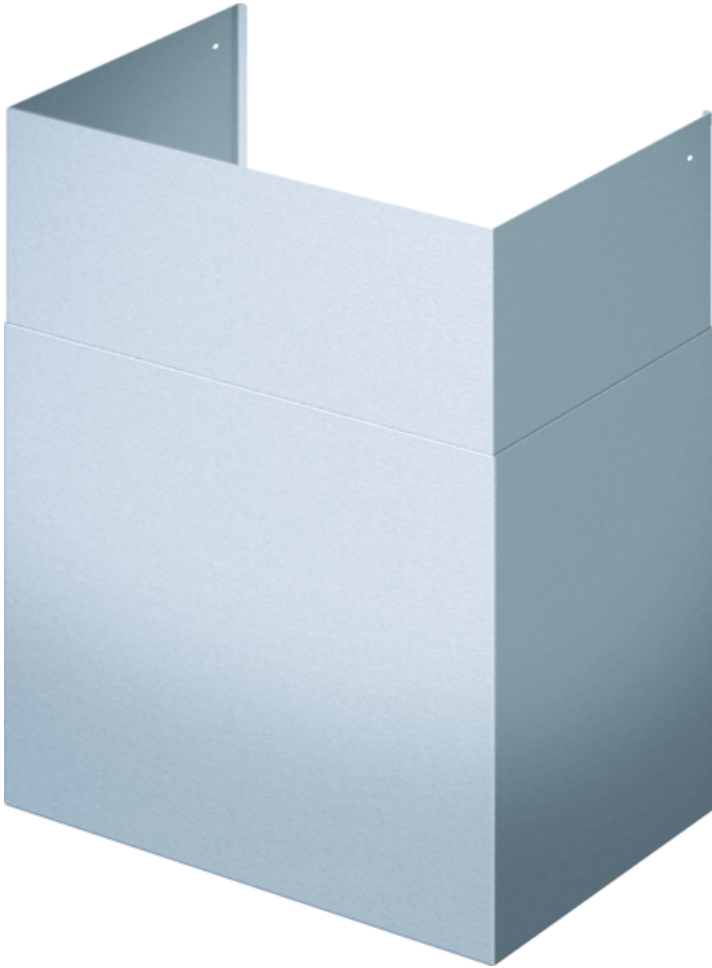
Perfect match to stainless steel finish of the Thermador Professional Wall Hoods

Two pieces included in the telescoping design

Telescoping design

Lower duct cover piece is 11" Tall; Upper duct cover piece is 14-1/16" tall

Can also be installed with only lower duct cover piece

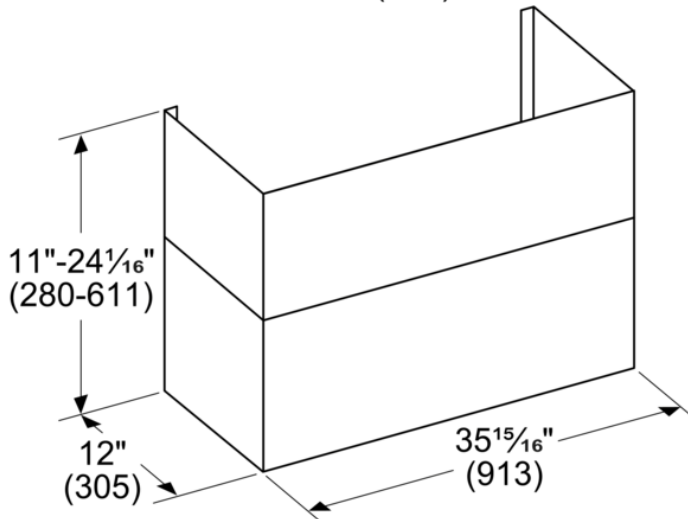


**Notes:** Please refer to installation instructions. Installation instructions are available at [www.thermador.com](http://www.thermador.com). Specifications are correct at the time of printing. Thermador reserves the right to change product specifications and design at any time, without notice.

1 800 735 4328 | [WWW.THERMADOR.COM](http://WWW.THERMADOR.COM) | 1901 Main Street, Suite 600 Irvine, CA 92614

©2020 BSH HOME APPLIANCES CORPORATION, ALL RIGHTS RESERVED LITHO DATE: 07/2020

measurements in inches (mm)



**Product Features**

Product group	Accessory
Brand	Thermador
SKU	DC3689W
Internal article number	00000000023000920
EAN code	825225962045
Product packaging dimensions (HxWxD) (in)	19 7/8" x 23 5/8" x 16 7/8"
Net weight (lbs)	20
Gross weight (lbs)	20
UPC code	825225962045
Name of product image	12846886_DC3689W_def.jpg

**Technical Specification**

Notes: Please refer to installation instructions. Installation instructions are available at [www.thermador.com](http://www.thermador.com). Specifications are correct at the time of printing. Thermador reserves the right to change product specifications and design at any time, without notice.