

ACCESSORY HANDLES AND DIALS

---

# PLANNING GUIDE

---

MINIMAL | Handles

CONTEMPORARY | Handles

PROFESSIONAL | Handles and Dials

# CONTENTS | ACCESSORY HANDLES AND DIALS

## INTRODUCTION

This comprehensive planning guide provides you with the framework and tools to achieve your desired design outcome with Fisher & Paykel appliances. In this guide, you will find a range of conceptual, detailed, and dimensional product information to bring your ideas to life and create spaces that truly reflect your vision.

## SUPPORT

For additional design planning and installation support please contact the Fisher & Paykel design support team.  
**designsupport@fisherpaykel.com**

## NOTES

The models shown in this Planning Guide may not be available in all markets and are subject to change at any time. Refer to our website [fisherpaykel.com](http://fisherpaykel.com) for the latest document version. Product specifications may vary from those shown.  
 This Planning Guide should not be used as installation guidance for any product. Specific installation guidance will be available with the product on delivery and on our website.

## CONCEPT DESIGN

PAGE

### DESIGN CHOICE

Accessory Compatibility	<b>4</b>
Accessory Availability	<b>5</b>

## DEVELOPED AND DETAILED DESIGN

PAGE

### COOKING

Model Codes - Ovens, Companions, Cooktops and Rangetops	<b>7</b>
Model Codes - Ranges	<b>8</b>
Data Sheet - Handles and Dials	<b>9</b>

### DISHWASHING

Model Codes - Dishwashing	<b>11</b>
Data Sheet	<b>12</b>

## DEVELOPED AND DETAILED DESIGN

PAGE

### COOLING

Model Codes - Single Door and Double Door	<b>14</b>
Model Codes - Triple Door, Undercounter and Cooldrawer™	<b>15</b>
Data Sheet - Single Door Handles	<b>16</b>
Data Sheet - Double Door Handle Kits 84"	<b>17</b>
Data Sheet - Double Door Handle Kits 84"	<b>18</b>
Data Sheet - Double Door Handle Kits 84"	<b>19</b>
Data Sheet - Double Door Handle Kits 79 15/16"	<b>20</b>
Data Sheet - Double Door Handle Kits 69 3/4"	<b>21</b>
Data Sheet - Triple Door Handle Kits 84"	<b>22</b>
Data Sheet - Triple Door Handle Kits 70 13/16"	<b>23</b>
Data Sheet - Triple Door Handle Kits 70 13/16"	<b>24</b>
Data Sheet - Undercounter	<b>25</b>
Data Sheet - Cooldrawer™	<b>26</b>











## DESIGN CHOICE

**ACCESSORY COMPATIBILITY**

This overview outlines compatible product combinations based on available handle and dial accessories. Products without handles or dials can also be added to the combinations. See individual product pages on fisherpaykel.com for full product details.

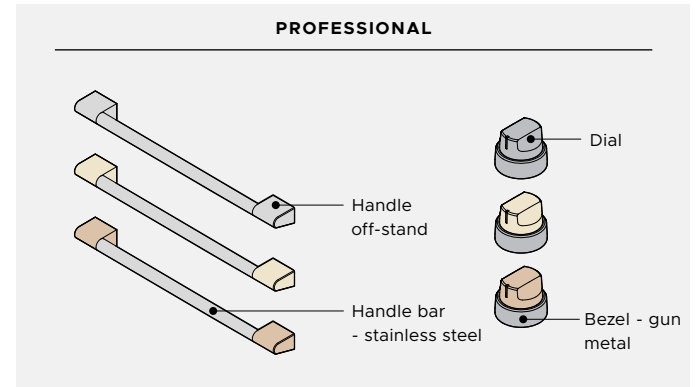
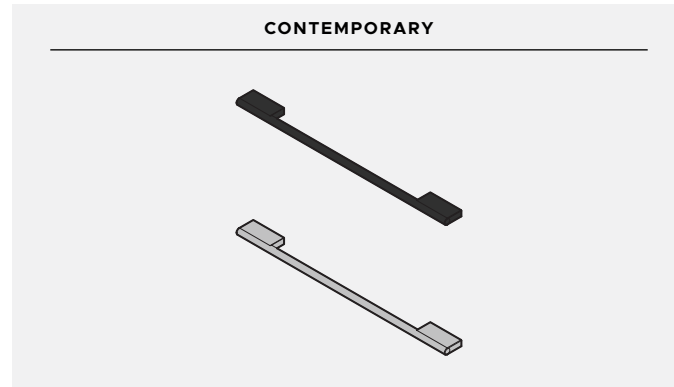
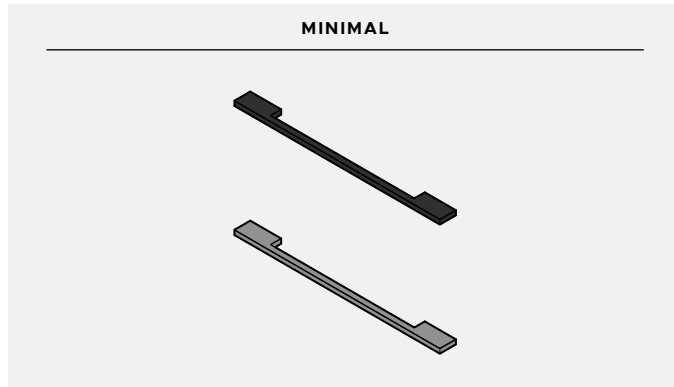
✓ = Handle/dial accessories available to match with Cooking, Dishwashing and Cooling products.

○ = Supplied with the product as standard.

		COOKING					DISHWASHING		COOLING	
		30" Ovens & Companions	24" Ovens & Companions	Cooktops	Rangetops	Ranges	Integrated	Freestanding	Integrated	Freestanding
<b>MINIMAL HANDLES</b>	 Black	○	○	-	-	-	✓	-	✓	-
	 Grey	○	○	-	-	-	✓	-	-	○
<b>CONTEMPORARY HANDLES</b>	 Black	○	○	-	-	-	✓	-	-	○
	 Silver	○	○	-	-	-	✓	○	✓	○
<b>PROFESSIONAL HANDLES</b>	 Stainless Steel	○	-	-	-	○	✓	○	✓	○
	 Brass	✓	-	-	-	✓	✓	-	✓	-
	 Dark Cooper	✓	-	-	-	✓	✓	-	✓	-
<b>PROFESSIONAL DIALS AND BEZELS</b>	 Brass	-	-	✓	✓	✓	-	-	-	-
	 Dark Cooper	-	-	✓	✓	✓	-	-	-	-
	 Gun Metal*	-	-	○	○	○	-	-	-	-

\*Dials are supplied in gun metal as standard; other finishes are available for separate purchase. Bezels are fixed to the product and are supplied in gunmetal.

The models shown in this Planning Guide may not be available in all markets and are subject to change at any time. Product specifications may vary from those shown. This Planning Guide should not be used as installation guidance for any product. Further information is required to safely and correctly install the products featured here. Specific installation guidance will be available with the product on delivery and on our website fisherpaykel.com



● Black ● Grey

● Black ● Silver

● Stainless Steel ● Brass ● Dark Copper ● Gun Metal

Handles are supplied in stainless steel and dials are supplied in gun metal as standard; other finishes are available for separate purchase. Bezels are fixed to the product and are supplied in gun metal.

**Accessory** = Purchase accessory online for integrated products, replacing supplied handles/dials or for cabinetry panels.  
**Supplied** = Supplied with the product as standard.

ACCESSORY AVAILABILITY

	30" OVENS & COMPANIONS	COOKTOPS	RANGETOPS	RANGES	INTEGRATED DISHWASHING	INTEGRATED REFRIGERATION
<b>MINIMAL</b>						
Square handle	-	-	-	-	● ● Accessory	● Accessory
<b>CONTEMPORARY</b>						
Round handle	-	-	-	-	● ● Accessory	● Accessory
<b>PROFESSIONAL</b>						
Handle	● Supplied ● ● Accessory	-	-	● Supplied ● ● Accessory	● ● ● Accessory	● ● ● Accessory
Dial	-	● Supplied ● ● Accessory	● Supplied ● ● Accessory	● Supplied ● ● Accessory	-	-
Bezel	-	-	● Supplied	● Supplied	-	-

The models shown in this Planning Guide may not be available in all markets and are subject to change at any time. Product specifications may vary from those shown. This Planning Guide should not be used as installation guidance for any product. Further information is required to safely and correctly install the products featured here. Specific installation guidance will be available with the product on delivery and on our website fisherpaykel.com

## COOKING

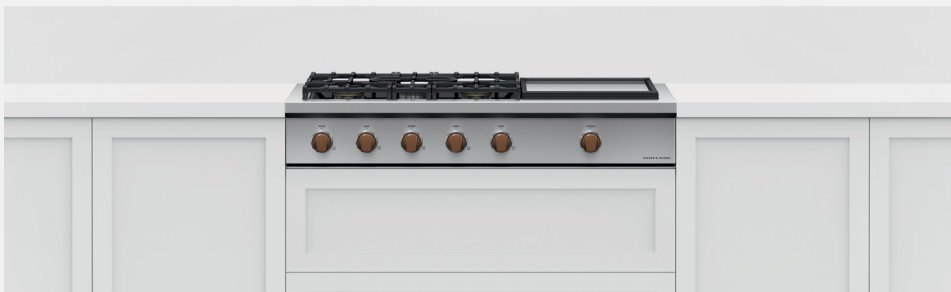
**OVENS AND COMPANIONS**



**COOKTOPS**

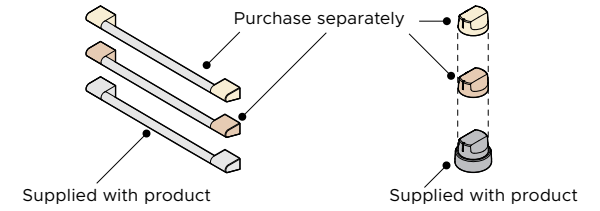


**RANGETOPS**



**PROFESSIONAL HANDLES/DIALS**

Supplied with product:  
Handle bar and off-stand: ● Stainless steel  
Dial and bezel: ● Gun metal  
Alternative colour finishes/accessories do not include bezel replacement.



PRODUCT	HANDLE	DIAL
<b>OVENS &amp; COMPANIONS</b>		
<b>30" (760MM) WIDTH</b>		
OB30SPPUX3, OB30SPPTX3, OB30SPPSUX3, OS30SPUX3, OS30NPUX3, OM30NPUX3, OM30NPTX3, WB30SPEX3, VB30SPEX3	AHP3OBWBVB30BA ● AHP3OBWBVB30DC ●	- -

**COOKTOPS**

<b>36" (910MM) WIDTH - 5 DIALS</b>		
CDV3-365H-N, CDV3-365H-L	- -	ADLP3CD365BA ● ADLP3CD365DC ●

**RANGETOPS**

<b>48" (1216MM) WIDTH - 8 DIALS</b>		
CPV3-488-N, CPV3-488-L	- -	ADLP3CP488BA ● ADLP3CP488DC ●
<b>48" (1216MM) WIDTH - 7 DIALS</b>		
CPV3-486GD-N, CPV3-486GD-L	- -	ADLP3CP486BA ● ADLP3CP486DC ●
<b>48" (1216MM) WIDTH - 6 DIALS</b>		
CPV3-485GD-N, CPV3-485GD-L	- -	ADLP3CP485BA ● ADLP3CP485DC ●
<b>36" (910MM) WIDTH - 6 DIALS</b>		
CPV3-366-N, CPV3-366-L	- -	ADLP3CP366BA ● ADLP3CP366DC ●

PROFESSIONAL: ● = Brass ● = Dark Copper

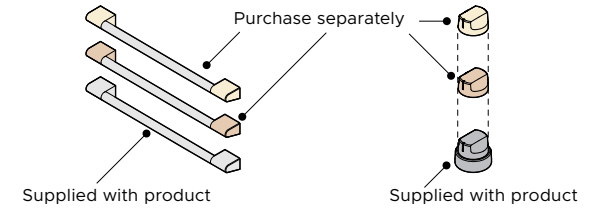
The models shown in this Planning Guide may not be available in all markets and are subject to change at any time. Product specifications may vary from those shown. This Planning Guide should not be used as installation guidance for any product. Further information is required to safely and correctly install the products featured here. Specific installation guidance will be available with the product on delivery and on our website fisherpaykel.com

**RANGES**



**PROFESSIONAL HANDLES/DIALS**

Supplied with product:  
 Handle bar and off-stand: ○ Stainless steel  
 Dial and bezel: ● Gun metal  
 Alternative colour finishes/accessories do not include bezel replacement.



PRODUCT	HANDLE	DIAL
<b>RANGES</b>		
<b>RANGES DUAL FUEL/INDUCTION</b>		
<b>- 10 DIALS</b>		
RGV3-485GD-N, RHV3-484-N	AHP3R48BA ○ AHP3R48DC ●	ADLP3RH484BA ● ADLP3RH484DC ●
<b>RANGES DUAL FUEL WITH GRIDDLE</b>		
<b>- 9 DIALS</b>		
RDV3-486GD-N	AHP3R48BA ● AHP3R48DC ●	ADLP3RI486BA ● ADLP3RI486DC ●
<b>RANGES DUAL FUEL WITH GRIDDLE</b>		
<b>- 8 DIALS</b>		
RDV3-485GD-N	AHP3R48BA ● AHP3R48DC ●	ADLP3RD485BA ● ADLP3RD485DC ●
<b>RANGES DUAL FUEL - 10 DIALS</b>		
RDV3-488-L, RDV3-488-N	AHP3R48BA ● AHP3R48DC ●	ADLP3RD488BA ● ADLP3RD488DC ●
<b>RANGES DUAL FUEL - 6 DIALS</b>		
RDV3-366-L, RDV3-366-N	AHP3R36BA ● AHP3R36DC ●	ADLP3RD366BA ● ADLP3RD366DC ●
<b>RANGES INDUCTION - 8 DIALS</b>		
RIV3-486	AHP3R48BA ● AHP3R48DC ●	ADLP3RI486BA ● ADLP3RI486DC ●
<b>RANGES INDUCTION - 5 DIALS</b>		
RIV3-365	AHP3R36BA ● AHP3R36DC ●	ADLP3RI365BA ● ADLP3RI365DC ●

PROFESSIONAL: ● = Brass ● = Dark Copper

The models shown in this Planning Guide may not be available in all markets and are subject to change at any time. Product specifications may vary from those shown. This Planning Guide should not be used as installation guidance for any product. Further information is required to safely and correctly install the products featured here. Specific installation guidance will be available with the product on delivery and on our website [fisherpaykel.com](http://fisherpaykel.com)



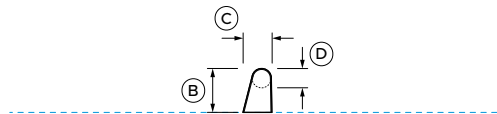
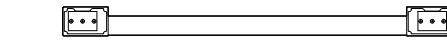
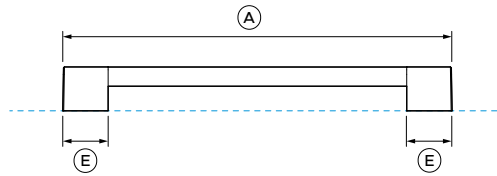
**PROFESSIONAL HANDLES**

Professional handles for Ovens, Companions, and Ranges are installed differently to other accessory handles.

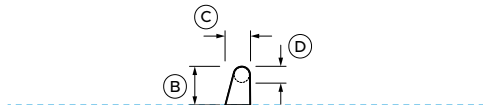
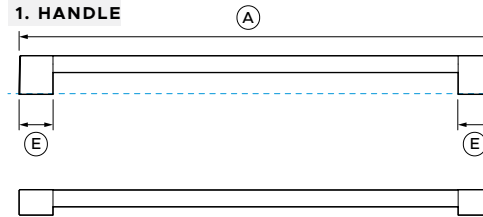
The attachment points are already built into the product, refer to the product's Installation Guide for handle installation instructions.

**SCREWS**

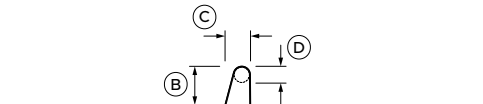
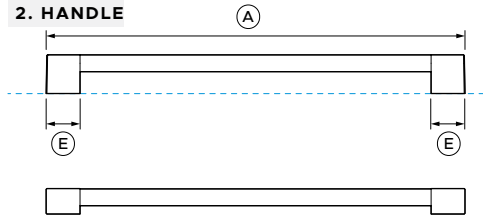
Handles comes with Screws.



**1. HANDLE**



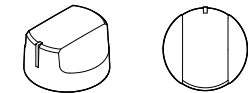
**2. HANDLE**



**PROFESSIONAL DIALS**

Professional dials are only for professional Cooktops, Rangetops, and Ranges.

Refer to the product Installation Guide for installation instructions.



PROFESSIONAL HANDLES - OVENS & COMPANIONS

AHP30BWBVB30BA, AHP30BWBVB30DC

PROFESSIONAL HANDLES - RANGES

AHP3R48BA, AHP3R48DC, AHP3R36BA, AHP3R36DC,  
 AHP3R48BA, AHP3R48DC, AHP3R36BA, AHP3R36DC,  
 AHP3R48BA, AHP3R48DC, AHP3R48BA, AHP3R48DC

PROFESSIONAL DIALS - COOKTOPS, RANGETOPS & RANGES

**48" RANGE DIALS**

ADLP3RH484BA, ADLP3RH484DC, ADLP3RI486BA, ADLP3RI486DC, ADLP3RD485BA, ADLP3RD485DC, ADLP3RD488BA, ADLP3RD488DC, ADLP3RI486BA, ADLP3RI486DC

**36" RANGE DIALS**

ADLP3RD366BA, ADLP3RD366DC, ADLP3RI365BA, ADLP3RI365DC

**COOKTOP DIALS**

ADLP3CD365BA, ADLP3CD365DC

**RANGETOP DIALS**

ADLP3CP488BA, ADLP3CP488DC, ADLP3CP486BA, ADLP3CP486DC, ADLP3CP485BA, ADLP3CP485DC, ADLP3CP366BA, ADLP3CP366DC

**PRODUCT DIMENSIONS**

	inch	mm
<b>A</b> Overall length	20 9/32	515
<b>B</b> Overall Height	2 9/32	58
<b>C</b> Overall width	1 1/2	38.5
<b>D</b> Thickness/diameter of handle rail	1	25.5
<b>E</b> Off-stand width	2 3/8	60

	1. HANDLE		2. HANDLE	
	inch	mm	inch	mm
Overall length	35 3/16	893.5	31 1/8	791
Overall Height	2 7/8	73	2 7/8	73
Overall width	1 7/8	48	1 7/8	48
Thickness/diameter of handle rail	1 1/4	32	1 1/4	32
Off-stand width	2 17/32	64	2 17/32	64

----- INDICATES PRODUCT DATUM

IMPORTANT NOTE: Throughout this guide, dimensions may vary by ±2mm (1/16"). Please read the installation manual for detailed information on installing the product. For full installation instructions & specifications visit [fisherpaykel.com](http://fisherpaykel.com)

The models shown in this Planning Guide may not be available in all markets and are subject to change at any time. Product specifications may vary from those shown. This Planning Guide should not be used as installation guidance for any product. Further information is required to safely and correctly install the products featured here. Specific installation guidance will be available with the product on delivery and on our website [fisherpaykel.com](http://fisherpaykel.com)

## DISHWASHING

**SINGLE DISHDRAWER DISHWASHER**



**DOUBLE DISHDRAWER DISHWASHER**



**DROP DOWN DOOR DISHWASHERS**



PRODUCT	MINIMAL	CONTEMPORARY	PROFESSIONAL
---------	---------	--------------	--------------

**SINGLE DISHDRAWER DISHWASHER**

**Integrated Single DishDrawer - Tall**  
 Series 11 - DD24STX6HI1, DD24STX6I1  
 Series 9 - DD24SHTI9, DD24STI9

AHM1DDDW24B ●	AHD7DDDW24B ●	AHP3-DWDD-SX ●
AHM1DDDW24G ●	AHD7DDDW24S ●	AHP3DDDW24BA ●
		AHP3DDDW24DC ●

**Integrated Single DishDrawer - Standard**  
 Series 9 - DD24SI9

**DOUBLE DISHDRAWER DISHWASHER\***

**Integrated Double DishDrawer - Tall**  
 Series 11 - DD24DTX6HI1, DD24DTX6I1  
 Series 9 - DD24DHTI9, DD24DTI9

AHM1DDDW24B ●	AHD7DDDW24B ●	AHP3-DWDD-SX ●
AHM1DDDW24G ●	AHD7DDDW24S ●	AHP3DDDW24BA ●
		AHP3DDDW24DC ●

**Integrated Double DishDrawer - Standard**  
 Series 9 - DD24DI9

\*Double door requires 2x handles to be purchase.

**DROP DOWN DOOR DISHWASHERS**

**Integrated Dishwasher - Tall**

Series 9 - DW24UT4I2  
 Series 7 - DW24UT2I3

AHM1DDDW24B ●	AHD7DDDW24B ●	AHP3-DWDD-SX ●
AHM1DDDW24G ●	AHD7DDDW24S ●	AHP3DDDW24BA ●
		AHP3DDDW24DC ●

**Integrated Dishwasher - Standard**  
 Series 7 - DW24U2I3

MINIMAL: ● = Black ● = Grey  
 CONTEMPORARY: ● = Black ● = Silver  
 PROFESSIONAL: ● = Stainless Steel ● = Brass ● = Dark Copper

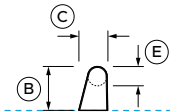
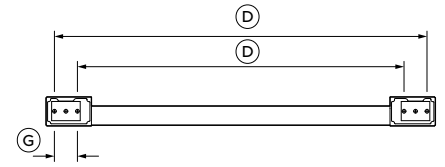
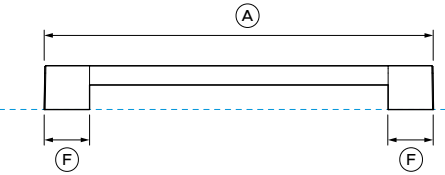
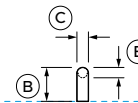
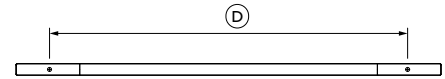
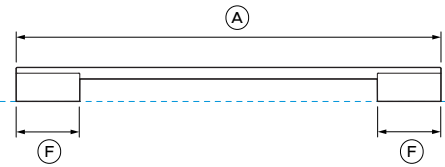
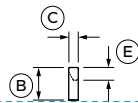
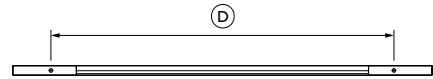
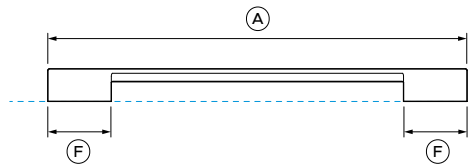
The models shown in this Planning Guide may not be available in all markets and are subject to change at any time. Product specifications may vary from those shown. This Planning Guide should not be used as installation guidance for any product. Further information is required to safely and correctly install the products featured here. Specific installation guidance will be available with the product on delivery and on our website fisherpaykel.com

**DISHWASHING - ALL STYLES**

Model codes comes with 1 handle.

**SCREWS**

Handles comes with M5 X 1" (25mm) Pan Head Socket Screw (2 or 4 per handle) suits standard 7 1/2" (19mm) panel. Thicker panels may require counterboring or longer screws.



MINIMAL HANDLE		
AHM1DDDW24B, AHM1DDDW24G		
	inch	mm
<b>A</b> Overall length	20 25/32	528
<b>B</b> Overall Height	1 5/8	41
<b>C</b> Overall width	15/32	12
<b>D</b> Distance between attachment holes	17	432
<b>E</b> Thickness/diameter of handle rail	5/8	16
<b>F</b> Off-stand width	3 5/32	80
<b>G</b> Distance between holes	-	-

CONTEMPORARY HANDLE		
AHD7DDDW24B, AHD7DDDW24S		
	inch	mm
<b>A</b> Overall length	21 1/16	535
<b>B</b> Overall Height	1 11/16	43
<b>C</b> Overall width	9/16	14.5
<b>D</b> Distance between attachment holes	17 3/4	451
<b>E</b> Thickness/diameter of handle rail	9/16	14.5
<b>F</b> Off-stand width	3 5/32	80
<b>G</b> Distance between holes	-	-

PROFESSIONAL HANDLE		
AHP3-DWDD-SX, AHP3DDDW24BA, AHP3DDDW24DC		
	inch	mm
<b>A</b> Overall length	20 9/32	515
<b>B</b> Overall Height	2 9/32	58
<b>C</b> Overall width	1 1/2	38.5
<b>D</b> Distance between attachment holes	outer 19 13/32 inner 17	outer 493 inner 432
<b>E</b> Thickness/diameter of handle rail	1	25.5
<b>F</b> Off-stand width	2 3/8	60
<b>G</b> Distance between holes	1 3/16	30.5

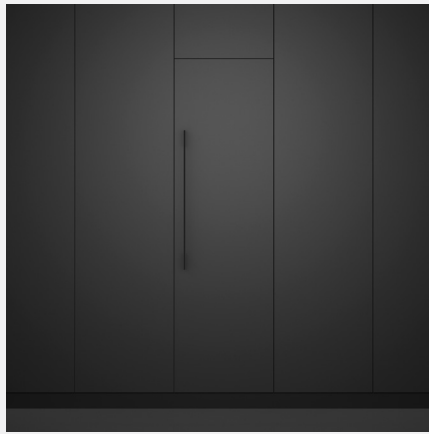
----- INDICATES PRODUCT DATUM

IMPORTANT NOTE: Throughout this guide, dimensions may vary by ±2mm (1/16"). Please read the installation manual for detailed information on installing the product. For full installation instructions & specifications visit [fisherpaykel.com](http://fisherpaykel.com)

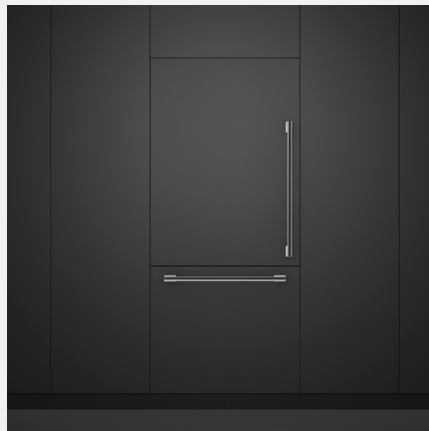
The models shown in this Planning Guide may not be available in all markets and are subject to change at any time. Product specifications may vary from those shown. This Planning Guide should not be used as installation guidance for any product. Further information is required to safely and correctly install the products featured here. Specific installation guidance will be available with the product on delivery and on our website [fisherpaykel.com](http://fisherpaykel.com)

## COOLING

**SINGLE DOOR**



**DOUBLE DOORS**



**SINGLE DOOR**

PRODUCT	MINIMAL	CONTEMPORARY	PROFESSIONAL
<b>HEIGHT 84" (2134MM)</b>			
RS2484SLHE1, RS2484SRHE1, RS2484SRHK1, RS2484SRK1, RS3084SLHE1, RS3084SRHE1, RS3084SRHK1, RS3084SRK1, RS1884FLJE1, RS1884FRJE1, RS1884FLJK1, RS2484FLJE1, RS2484FRJE1, RS2484FLJK1, RS3084FLJE1, RS3084FRJE1, RS3084FLJK1, RS2484VL2K1, RS2484VR2K1	AHM1RDSFB ●	AHD7RDSFX ●	AHP3RDSF ● AHP3RDSFBA ● AHP3RDSFDC ●
<b>HEIGHT 74" (1870MM)</b>			
RS2474S3RH1, RS2474F3LJ1			

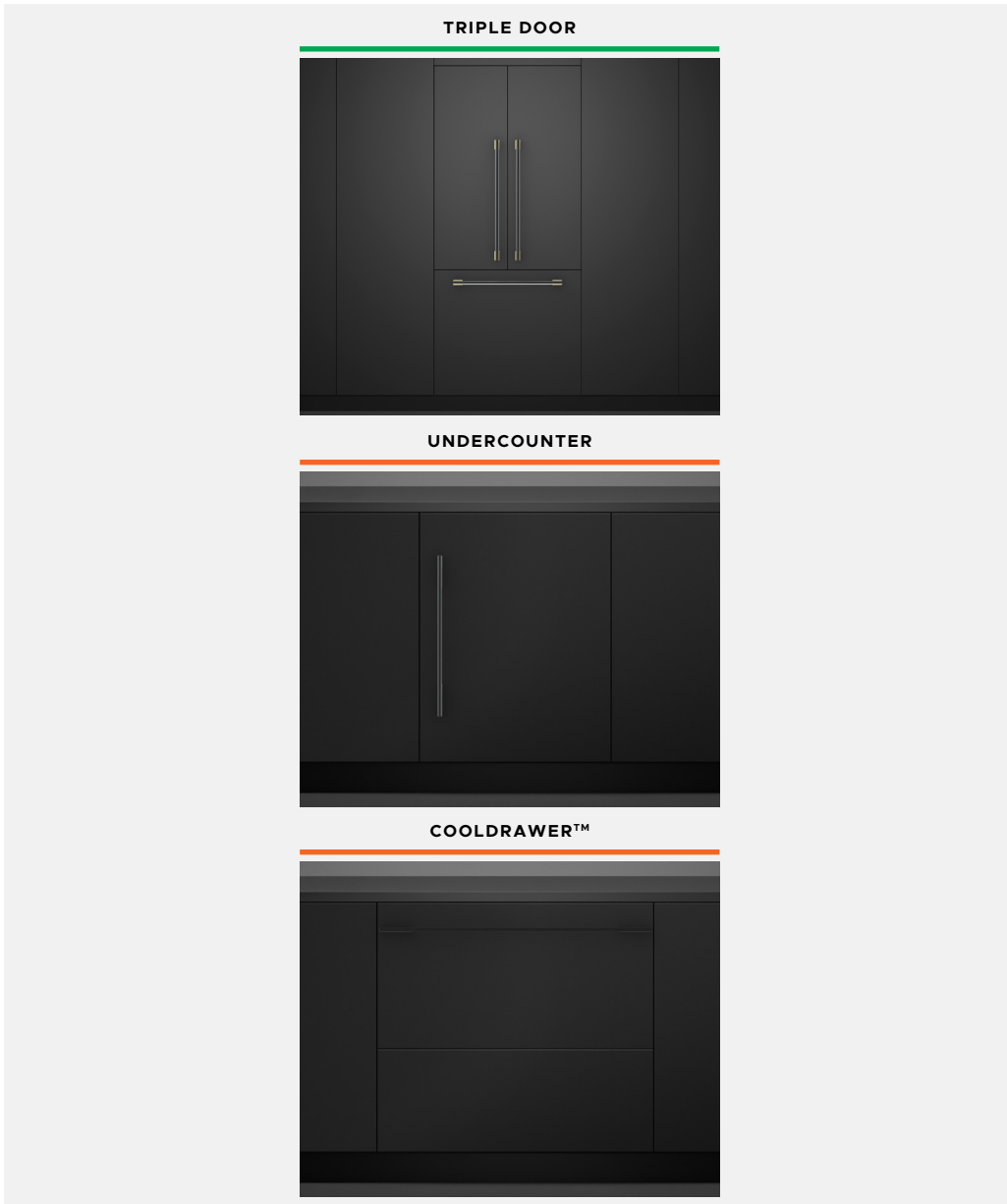
**DOUBLE DOOR\***

PRODUCT	MINIMAL	CONTEMPORARY	PROFESSIONAL
<b>HEIGHT 84" (2134MM)</b>			
RS3684WRUVE1, RS3684WLUVE1	AHM1RD3684WB ●	AHD7RD3684WX ●	AHP3RD3684W ● AHP3RD3684WBA ● AHP3RD3684WDC ●
RS3084WLUE1, RS3084WRUE1, RS3084WLUK1, RS3084WRUK1	AHM1RD3084WB ●	AHD7RD3084WX ●	AHP3RD3084W ● AHP3RD3084WBA ● AHP3RD3084WDC ●
RS2484WLUE1, RS2484WRUE1, RS2484WLUK1, RS2484WRUK1	AHM1RD2484WB ●	AHD7RD2484WX ●	AHP3RD2484W ● AHP3RD2484WBA ● AHP3RD2484WDC ●
<b>HEIGHT 79 15/16" (2030MM)</b>			
RS36W80LJ1, RS36W80RJ1, RS36W80RU1	AHM1RD36WB ●	AHD7RD36WX ●	AHP3RD36W ●
<b>HEIGHT 69 3/4" (1772MM)</b>			
RS2474BRU1	AHM1RDB74LB** ● AHM1RDB74RB*** ●	AHD7RDB74X ●	AHP3RDB74 ●

\*Handle kit comes with 2 handles. \*\*For left hinge. \*\*\*For right hinge.

MINIMAL: ● = Black  
 CONTEMPORARY: ● = Silver  
 PROFESSIONAL: ● = Stainless Steel ● = Brass ● = Dark Copper

The models shown in this Planning Guide may not be available in all markets and are subject to change at any time. Product specifications may vary from those shown. This Planning Guide should not be used as installation guidance for any product. Further information is required to safely and correctly install the products featured here. Specific installation guidance will be available with the product on delivery and on our website [fisherpaykel.com](http://fisherpaykel.com)



**TRIPLE DOOR\***

PRODUCT	MINIMAL	CONTEMPORARY	PROFESSIONAL
<b>HEIGHT 84" (2134MM)</b>			
RS3684AUVE1	AHM1RD3684AB ●	AHD7RD3684AX ●	AHP3RD3684A ● AHP3RD3684ABA ● AHP3RD3684ADC ●
<b>HEIGHT 70 13/16" (1798MM)</b>			
RS36A72J1, RS36A72U1, RS36A80J1, RS36A80U1	AHM1RD36AB ●	AHD7RD36AX ●	AHP3RD36A ●
RS32A72J1, RS32A72U1	AHM1RD32AB ●	AHD7RD32AX ●	AHP3RD32A ●

\*Handle kit comes with 3 handles.

**UNDERCOUNTER & COOLDRAWER™**

PRODUCT	MINIMAL	CONTEMPORARY	PROFESSIONAL
<b>UNDERCOUNTER</b>			
RS2435V2RT1, RS2435V2R1, RS2435SBLT1, RS2435SBL1	AHM1RD35B ●	AHD7RD35X ●	AHP3RD35 ●
<b>COOLDRAWER™</b>			
RB36S25MKIW	AHM1RD36SB ●	AHD7RD36SX ●	AHP3RD36S ●

MINIMAL: ● = Black  
 CONTEMPORARY: ● = Silver  
 PROFESSIONAL: ● = Stainless Steel ● = Brass ● = Dark Copper

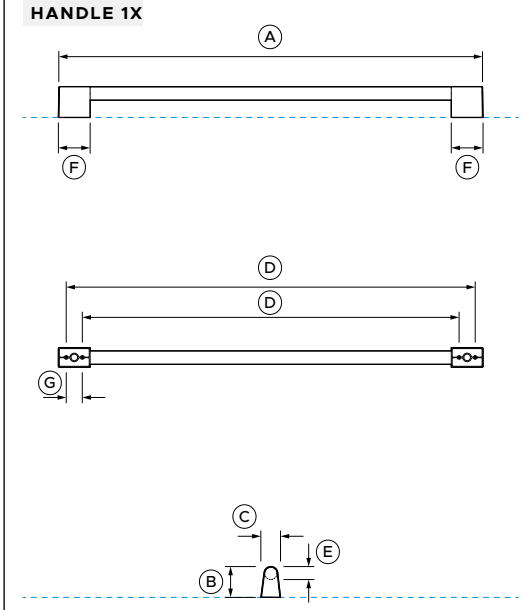
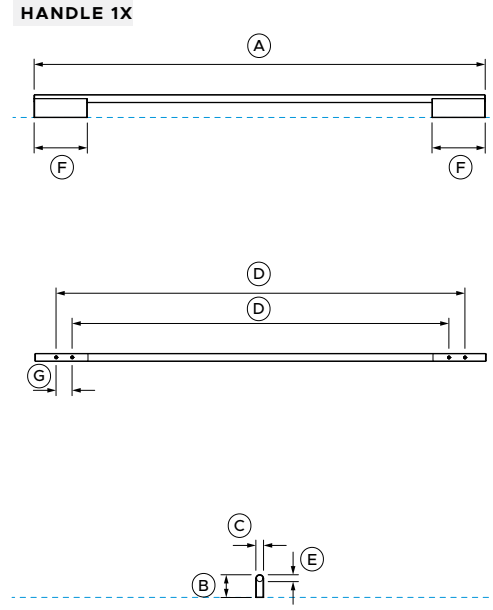
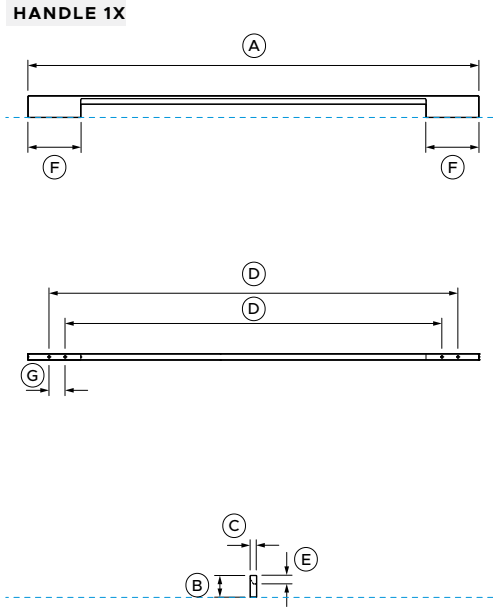
The models shown in this Planning Guide may not be available in all markets and are subject to change at any time. Product specifications may vary from those shown. This Planning Guide should not be used as installation guidance for any product. Further information is required to safely and correctly install the products featured here. Specific installation guidance will be available with the product on delivery and on our website [fisherpaykel.com](http://fisherpaykel.com)

**COOLING - SINGLE DOOR HANDLES**

Model code comes with 1 handle.

**SCREWS**

Handles comes with M5 X 1" (25mm) Pan Head Socket Screw (2 or 4 per handle) suits standard 7 1/2" (19mm) panel. Thicker panels may require counterboring or longer screws.



PRODUCT DIMENSIONS	MINIMAL AHMIRD5FB		CONTEMPORARY AHD7RDSFX		PROFESSIONAL AHP3RDSF, AHP3RDSFBA, AHP3RDSFDC		
	inch	mm	inch	mm	inch	mm	
<b>A</b> Overall length	33 9/16	852	33 9/16	852	31 9/16	802	
<b>B</b> Overall Height	1 5/8	41	1 11/16	43	2 9/32	58	
<b>C</b> Overall width	15/32	12	9/16	14.5	1 7/16	37	
<b>D</b> Distance between attachment holes	- outer	30 13/32	772.5	30 13/32	772.5	30 13/32	772.5
	- inner	28 1/32	712	28 1/32	712	28 1/32	712
<b>E</b> Thickness/diameter of handle rail	5/8	16	9/16	14.5	1	25.5	
<b>F</b> Off-stand width	3 15/16	100	3 15/16	100	2 3/8	60	
<b>G</b> Distance between holes	1 3/16	30	1 3/16	30	1 3/16	30	

----- INDICATES PRODUCT DATUM

IMPORTANT NOTE: Throughout this guide, dimensions may vary by ±2mm (1/16"). Please read the installation manual for detailed information on installing the product. For full installation instructions & specifications visit [fisherpaykel.com](http://fisherpaykel.com)

The models shown in this Planning Guide may not be available in all markets and are subject to change at any time. Product specifications may vary from those shown. This Planning Guide should not be used as installation guidance for any product. Further information is required to safely and correctly install the products featured here. Specific installation guidance will be available with the product on delivery and on our website [fisherpaykel.com](http://fisherpaykel.com)



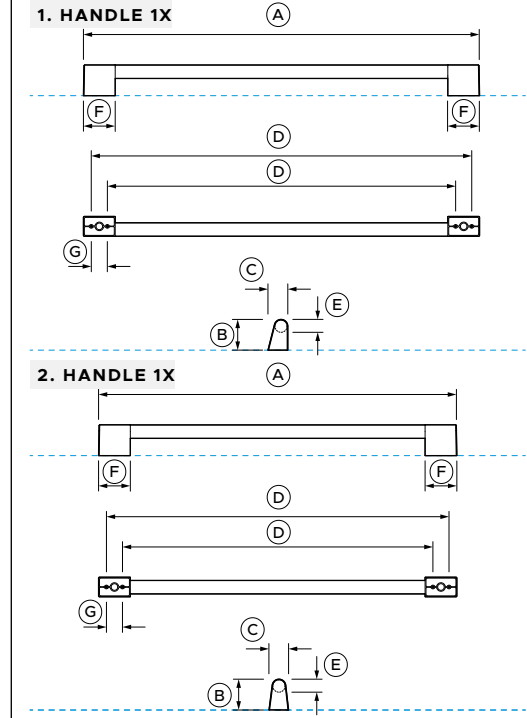
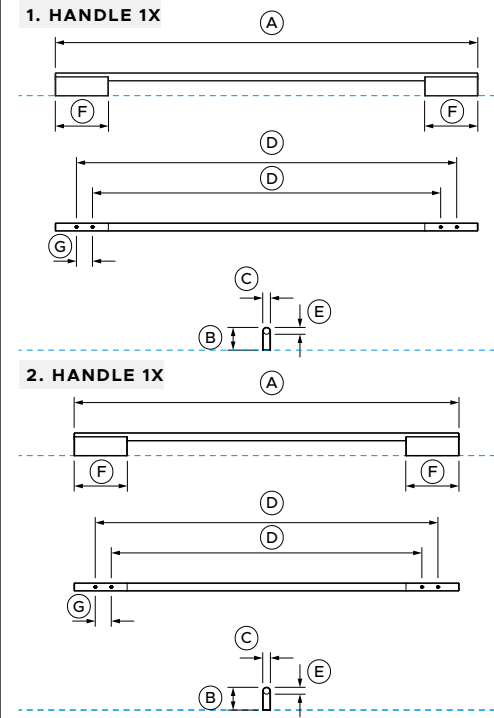
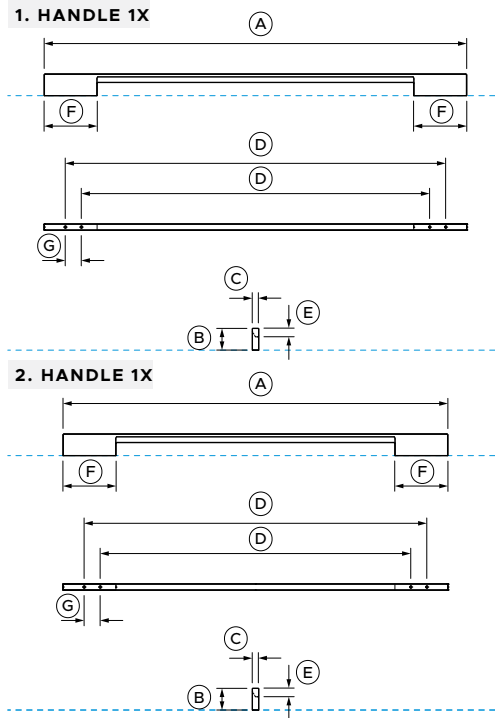
**COOLING - DOUBLE DOOR HANDLE KIT**

Handle kit comes with 2 handles.

Handle 1. = Bottom panel  
Handle 2. = Top panel

**SCREWS**

Handles comes with M5 X 1" (25mm) Pan Head Socket Screw (2 or 4 per handle) suits standard 7 1/2" (19mm) panel. Thicker panels may require counterboring or longer screws.



PRODUCT DIMENSIONS	
<b>A</b>	Overall length
<b>B</b>	Overall Height
<b>C</b>	Overall width
<b>D</b>	Distance between attachment holes - outer - inner
<b>E</b>	Thickness/diameter of handle rail
<b>F</b>	Off-stand width
<b>G</b>	Distance between holes

MINIMAL AHM1RD3684WB				
1. HANDLE		2. HANDLE		
inch	mm	inch	mm	
31 13/32	798	28 5/8	727	
1 5/8	41	1 5/8	41	
15/32	12	15/32	12	
28 9/32	718.5	25 1/2	647.5	
25 29/32	658	23 1/8	587	
5/8	16	5/8	16	
3 15/16	100	3 15/16	100	
1 3/16	30	1 3/16	30	

CONTEMPORARY AHD7RD3684WX				
1. HANDLE		2. HANDLE		
inch	mm	inch	mm	
31 13/32	798	28 5/8	727	
1 11/16	43	1 11/16	43	
9/16	14.5	9/16	14.5	
28 9/32	718.5	25 1/2	647.5	
25 29/32	658	23 1/8	587	
9/16	14.5	9/16	14.5	
3 15/16	100	3 15/16	100	
1 3/16	30	1 3/16	30	

PROFESSIONAL AHP3RD3684W, AHP3RD3684WBA, AHP3RD3684WDC				
1. HANDLE		2. HANDLE		
inch	mm	inch	mm	
29 13/32	747	26 21/32	677	
2 9/32	58	2 9/32	58	
1 15/32	37.5	1 7/16	37	
28 9/32	718.5	25 1/2	647.5	
25 29/32	658	23 1/8	587	
1	25.5	1	25.5	
2 3/8	60	2 3/8	60	
1 3/16	30	1 3/16	30	

----- INDICATES PRODUCT DATUM

IMPORTANT NOTE: Throughout this guide, dimensions may vary by ±2mm (1/16"). Please read the installation manual for detailed information on installing the product. For full installation instructions & specifications visit fisherpaykel.com

The models shown in this Planning Guide may not be available in all markets and are subject to change at any time. Product specifications may vary from those shown. This Planning Guide should not be used as installation guidance for any product. Further information is required to safely and correctly install the products featured here. Specific installation guidance will be available with the product on delivery and on our website fisherpaykel.com

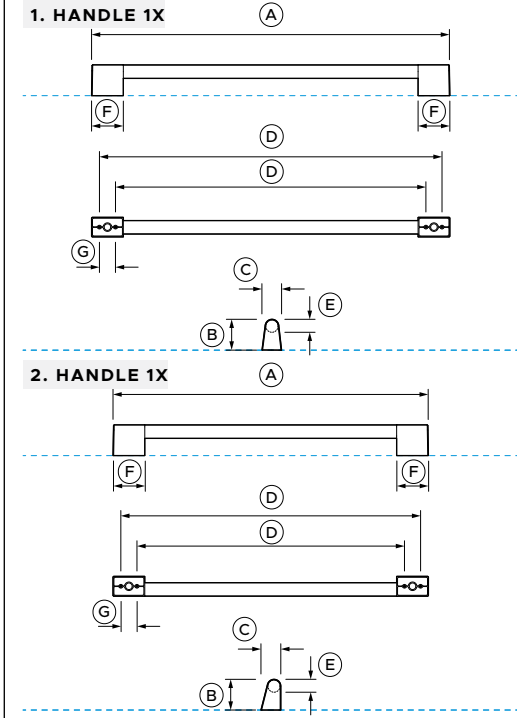
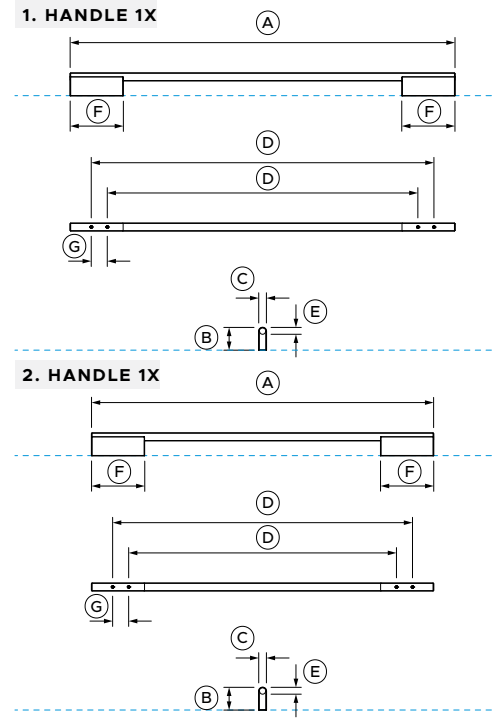
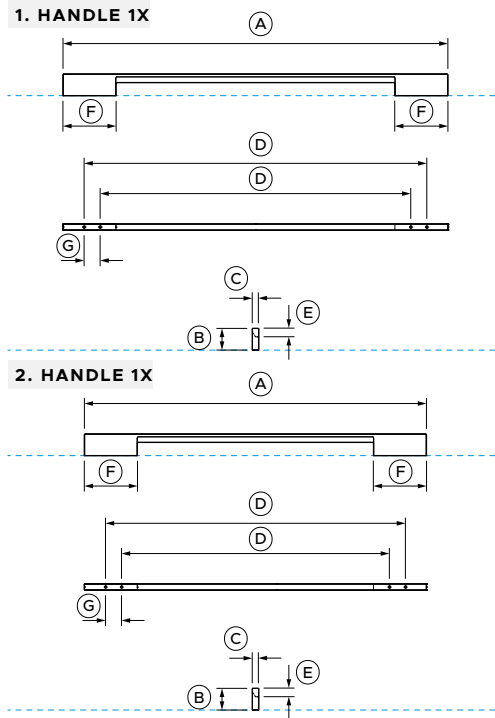
**COOLING - DOUBLE DOOR HANDLE KIT**

Handle kit comes with 2 handles.

Handle 1. = Top panel  
Handle 2. = Bottom panel

**SCREWS**

Handles comes with M5 X 1" (25mm) Pan Head Socket Screw (2 or 4 per handle) suits standard 7 1/2" (19mm) panel. Thicker panels may require counterboring or longer screws.



PRODUCT DIMENSIONS	
<b>A</b>	Overall length
<b>B</b>	Overall Height
<b>C</b>	Overall width
<b>D</b>	Distance between attachment holes - outer - inner
<b>E</b>	Thickness/diameter of handle rail
<b>F</b>	Off-stand width
<b>G</b>	Distance between holes

MINIMAL AHM1RD3084WB				
1. HANDLE		2. HANDLE		
inch	mm	inch	mm	
28 5/8	727	25 7/16	646	
1 5/8	41	1 5/8	41	
15/32	12	15/32	12	
25 1/2	647.5	22 5/16	566.5	
23 1/8	587	19 15/16	506	
5/8	16	5/8	16	
3 15/16	100	3 15/16	100	
1 3/16	30	1 3/16	30	

CONTEMPORARY AHD7RD3084WX				
1. HANDLE		2. HANDLE		
inch	mm	inch	mm	
28 5/8	727	25 7/16	646	
1 11/16	43	1 11/16	43	
9/16	14.5	9/16	14.5	
25 1/2	647.5	22 5/16	566.5	
23 1/8	587	19 15/16	506	
9/16	14.5	9/16	14.5	
3 15/16	100	3 15/16	100	
1 3/16	30	1 3/16	30	

PROFESSIONAL AHP3RD3084W, AHP3RD3084WBA, AHP3RD3084WDC				
1. HANDLE		2. HANDLE		
inch	mm	inch	mm	
26 21/32	677	23 15/32	596	
2 9/32	58	2 9/32	58	
1 7/16	37	1 15/32	37.5	
25 1/2	647.5	22 5/16	566.5	
23 1/8	587	19 15/16	506	
1	25.5	1	25.5	
2 3/8	60	2 3/8	60	
1 3/16	30	1 3/16	30	

----- INDICATES PRODUCT DATUM

IMPORTANT NOTE: Throughout this guide, dimensions may vary by ±2mm (1/16"). Please read the installation manual for detailed information on installing the product. For full installation instructions & specifications visit fisherpaykel.com

The models shown in this Planning Guide may not be available in all markets and are subject to change at any time. Product specifications may vary from those shown. This Planning Guide should not be used as installation guidance for any product. Further information is required to safely and correctly install the products featured here. Specific installation guidance will be available with the product on delivery and on our website fisherpaykel.com

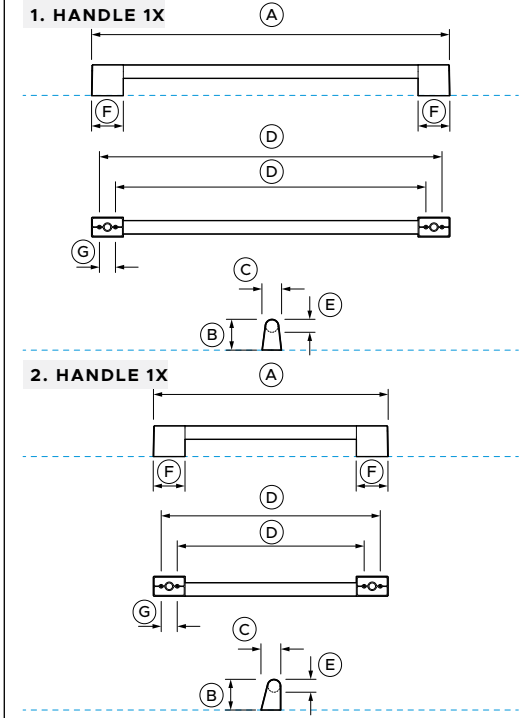
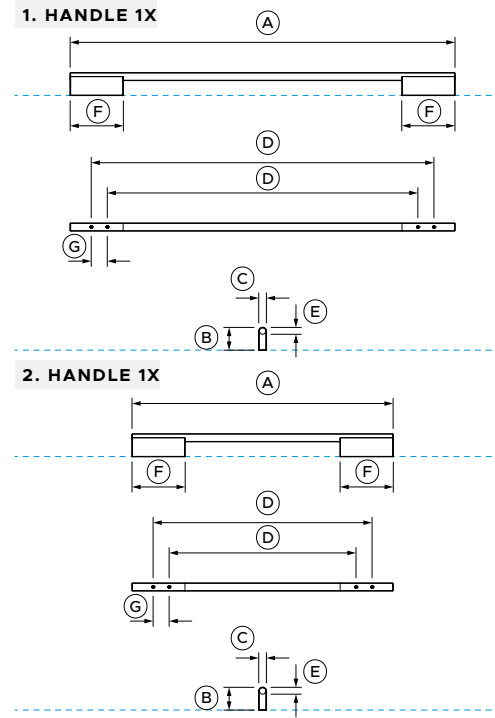
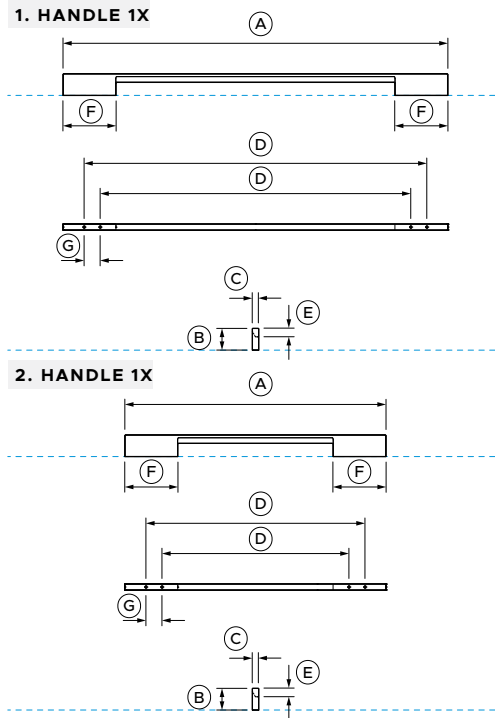
**COOLING - DOUBLE DOOR HANDLE KIT**

Handle kit comes with 2 handles.

Handle 1. = Top panel  
Handle 2. = Bottom panel

**SCREWS**

Handles comes with M5 X 1" (25mm) Pan Head Socket Screw (2 or 4 per handle) suits standard 7 1/2" (19mm) panel. Thicker panels may require counterboring or longer screws.



PRODUCT DIMENSIONS	
<b>A</b>	Overall length
<b>B</b>	Overall Height
<b>C</b>	Overall width
<b>D</b>	Distance between attachment holes - outer - inner
<b>E</b>	Thickness/diameter of handle rail
<b>F</b>	Off-stand width
<b>G</b>	Distance between holes

MINIMAL AHM1RD2484WB				
1. HANDLE		2. HANDLE		
inch	mm	inch	mm	
28 5/8	727	19 13/32	493	
1 5/8	41	1 5/8	41	
15/32	12	15/32	12	
25 1/2	647.5	16 5/16	414	
23 1/8	587	13 29/32	353	
5/8	16	5/8	16	
3 15/16	100	3 15/16	100	
1 3/16	30	1 3/16	30	

CONTEMPORARY AHD7RD2484WX				
1. HANDLE		2. HANDLE		
inch	mm	inch	mm	
28 5/8	727	19 13/32	493	
1 11/16	43	1 11/16	43	
9/16	14.5	9/16	14.5	
25 1/2	647.5	16 5/16	414	
23 1/8	587	13 29/32	353	
9/16	14.5	9/16	14.5	
3 15/16	100	3 15/16	100	
1 3/16	30	1 3/16	30	

PROFESSIONAL AHP3RD2484W, AHP3RD2484WBA, AHP3RD2484WDC				
1. HANDLE		2. HANDLE		
inch	mm	inch	mm	
26 21/32	677	17 15/32	443.5	
2 9/32	58	2 9/32	58	
1 7/16	37	1 15/32	37.5	
25 1/2	647.5	16 5/16	414	
23 1/8	587	13 29/32	353	
1	25.5	1	25.5	
2 3/8	60	2 3/8	60	
1 3/16	30	1 3/16	30	

----- INDICATES PRODUCT DATUM

IMPORTANT NOTE: Throughout this guide, dimensions may vary by ±2mm (1/16"). Please read the installation manual for detailed information on installing the product. For full installation instructions & specifications visit fisherpaykel.com

The models shown in this Planning Guide may not be available in all markets and are subject to change at any time. Product specifications may vary from those shown. This Planning Guide should not be used as installation guidance for any product. Further information is required to safely and correctly install the products featured here. Specific installation guidance will be available with the product on delivery and on our website fisherpaykel.com

**COOLING - DOUBLE DOOR HANDLE KIT**

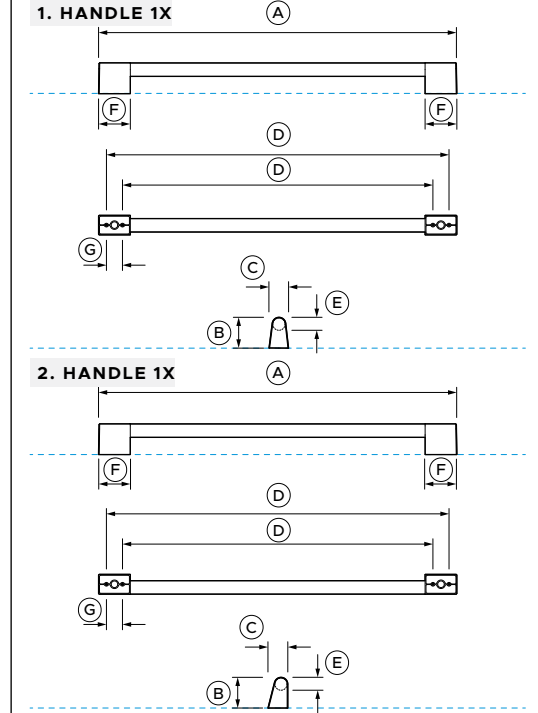
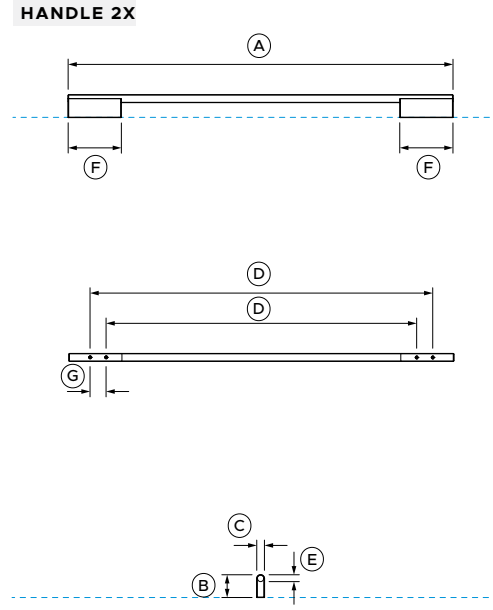
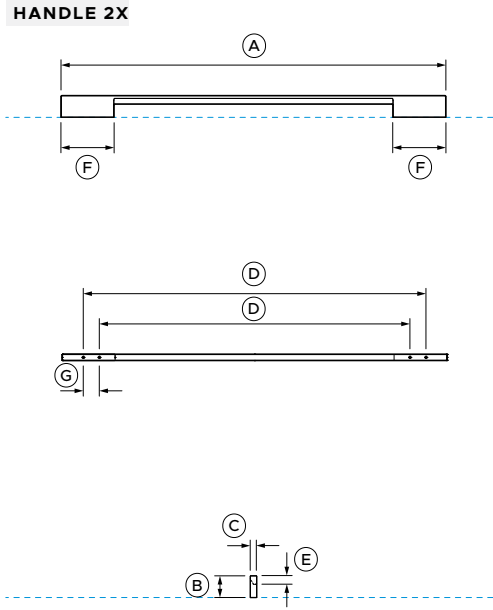
Handle kit comes with 2 handles.

**PROFESSIONAL HANDLES**

Handle 1. = Top panel  
Handle 2. = Bottom panel

**SCREWS**

Handles comes with M5 X 1" (25mm) Pan Head Socket Screw (2 or 4 per handle) suits standard 7 1/2" (19mm) panel. Thicker panels may require counterboring or longer screws.



**MINIMAL**

AHM1RD36WB

PRODUCT DIMENSIONS		inch	mm
<b>A</b>	Overall length	28 5/8	727
<b>B</b>	Overall Height	1 5/8	41
<b>C</b>	Overall width	15/32	12
<b>D</b>	Distance between attachment holes		
	- outer	25 1/2	647.5
	- inner	23 1/8	587
<b>E</b>	Thickness/diameter of handle rail	5/8	16
<b>F</b>	Off-stand width	3 15/16	100
<b>G</b>	Distance between holes	1 3/16	30

**CONTEMPORARY**

AHD7RD36WX

PRODUCT DIMENSIONS		inch	mm
<b>A</b>	Overall length	28 5/8	727
<b>B</b>	Overall Height	1 11/16	43
<b>C</b>	Overall width	9/16	14.5
<b>D</b>	Distance between attachment holes		
	- outer	25 1/2	647.5
	- inner	23 1/8	587
<b>E</b>	Thickness/diameter of handle rail	9/16	14.5
<b>F</b>	Off-stand width	3 15/16	100
<b>G</b>	Distance between holes	1 3/16	30

**PROFESSIONAL**

AHP3RD36W

		1. HANDLE		2. HANDLE	
		inch	mm	inch	mm
<b>A</b>	Overall length	26 21/32	677	26 21/32	677
<b>B</b>	Overall Height	2 9/32	58	2 9/32	58
<b>C</b>	Overall width	1 7/16	37	1 15/32	37.5
<b>D</b>	Distance between attachment holes				
	- outer	25 1/2	647.5	25 1/2	647.5
	- inner	23 1/8	587	23 1/8	587
<b>E</b>	Thickness/diameter of handle rail	1	25.5	1	25.5
<b>F</b>	Off-stand width	2 3/8	60	2 3/8	60
<b>G</b>	Distance between holes	1 3/16	30	1 3/16	30

----- INDICATES PRODUCT DATUM

IMPORTANT NOTE: Throughout this guide, dimensions may vary by ±2mm (1/16"). Please read the installation manual for detailed information on installing the product. For full installation instructions & specifications visit [fisherpaykel.com](http://fisherpaykel.com)

The models shown in this Planning Guide may not be available in all markets and are subject to change at any time. Product specifications may vary from those shown. This Planning Guide should not be used as installation guidance for any product. Further information is required to safely and correctly install the products featured here. Specific installation guidance will be available with the product on delivery and on our website [fisherpaykel.com](http://fisherpaykel.com)

**COOLING - DOUBLE DOOR HANDLE KIT**

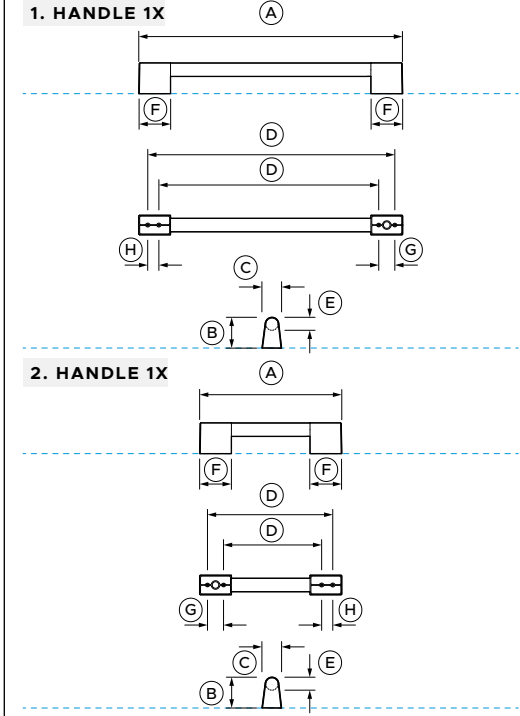
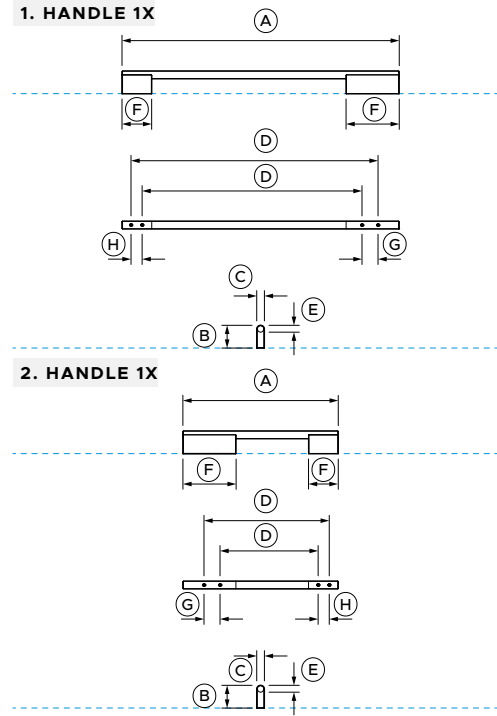
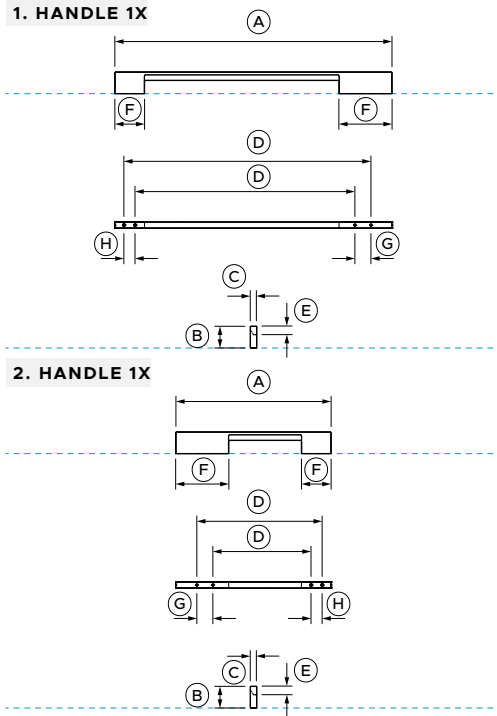
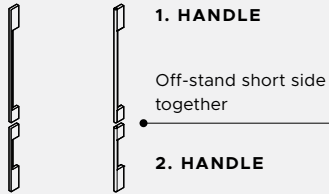
Handle kit comes with 2 handles

Handle 1. = Top panel  
Handle 2. = Bottom panel

**SCREWS**

Handles comes with M5 X 1" (25mm) Pan Head Socket Screw (2 or 4 per handle) suits standard 7 1/2" (19mm) panel. Thicker panels may require counterboring or longer screws.

**PLACEMENT ON PRODUCT**



MINIMAL				
AHM1RDB74LB, AHM1RDB74RB				
PRODUCT DIMENSIONS	1. HANDLE		2. HANDLE	
	inch	mm	inch	mm
<b>A</b> Overall length	20 19/32	523	11 17/32	293
<b>B</b> Overall Height	1 5/8	41	1 5/8	41
<b>C</b> Overall width	15/32	12	15/32	12
<b>D</b> Distance between attachment holes				
- outer	18 3/8	467	9 11/32	237
- inner	16 3/8	415.5	7 5/16	185.5
<b>E</b> Thickness/diameter of handle rail	5/8	16	5/8	16
<b>F</b> Off-stand width				
- long side	3 15/16	100	3 15/16	100
- short side	2 3/16	56	2 3/16	56
<b>G</b> Distance between holes (long side)	1 3/16	30	1 3/16	30
<b>H</b> Distance between holes (short side)	27/32	21	27/32	21

CONTEMPORARY				
AHD7RDB74X				
PRODUCT DIMENSIONS	1. HANDLE		2. HANDLE	
	inch	mm	inch	mm
<b>A</b> Overall length	20 19/32	523	11 17/32	293
<b>B</b> Overall Height	1 11/16	43	1 11/16	43
<b>C</b> Overall width	9/16	14.5	9/16	14.5
<b>D</b> Distance between attachment holes				
- outer	18 3/8	467	9 11/32	237
- inner	16 3/8	415.5	7 5/16	185.5
<b>E</b> Thickness/diameter of handle rail	9/16	14.5	9/16	14.5
<b>F</b> Off-stand width				
- long side	3 15/16	100	3 15/16	100
- short side	2 3/16	56	2 3/16	56
<b>G</b> Distance between holes (long side)	1 3/16	30	1 3/16	30
<b>H</b> Distance between holes (short side)	27/32	21	27/32	21

PROFESSIONAL				
AHP3RDB74				
PRODUCT DIMENSIONS	1. HANDLE		2. HANDLE	
	inch	mm	inch	mm
<b>A</b> Overall length	19 5/8	498.5	10 9/16	268.5
<b>B</b> Overall Height	2 9/32	58	2 9/32	58
<b>C</b> Overall width	1 7/16	37	1 7/16	37
<b>D</b> Distance between attachment holes				
- outer	18 3/8	467	9 11/32	237
- inner	16 3/8	415.5	7 5/16	185.5
<b>E</b> Thickness/diameter of handle rail	1	25.5		
<b>F</b> Off-stand width				
- long side	60	60	60	60
- short side	-	-	-	-
<b>G</b> Distance between holes (long side)	1 3/16	30	1 3/16	30
<b>H</b> Distance between holes (short side)	27/32	21	27/32	21

----- INDICATES PRODUCT DATUM

IMPORTANT NOTE: Throughout this guide, dimensions may vary by ±2mm (1/16"). Please read the installation manual for detailed information on installing the product. For full installation instructions & specifications visit fisherpaykel.com

The models shown in this Planning Guide may not be available in all markets and are subject to change at any time. Product specifications may vary from those shown. This Planning Guide should not be used as installation guidance for any product. Further information is required to safely and correctly install the products featured here. Specific installation guidance will be available with the product on delivery and on our website fisherpaykel.com

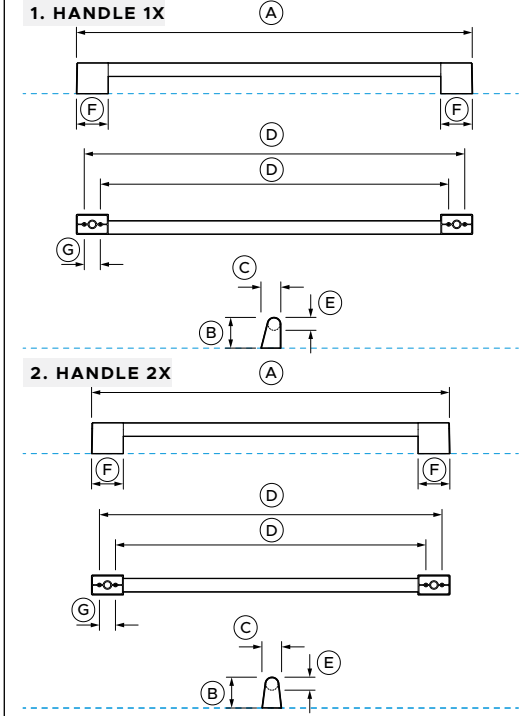
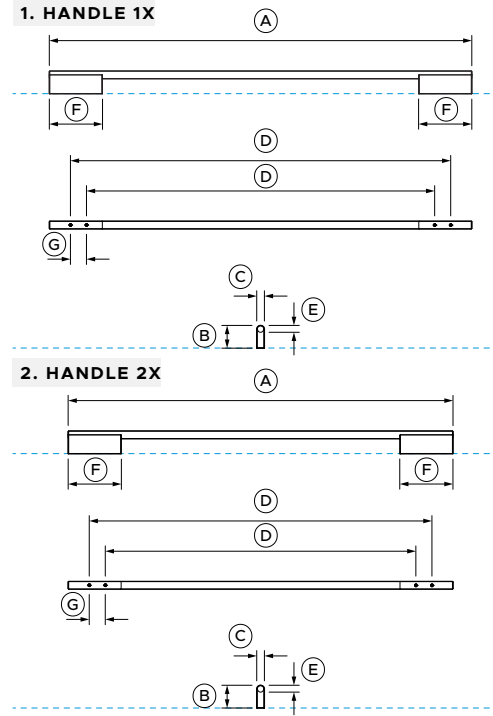
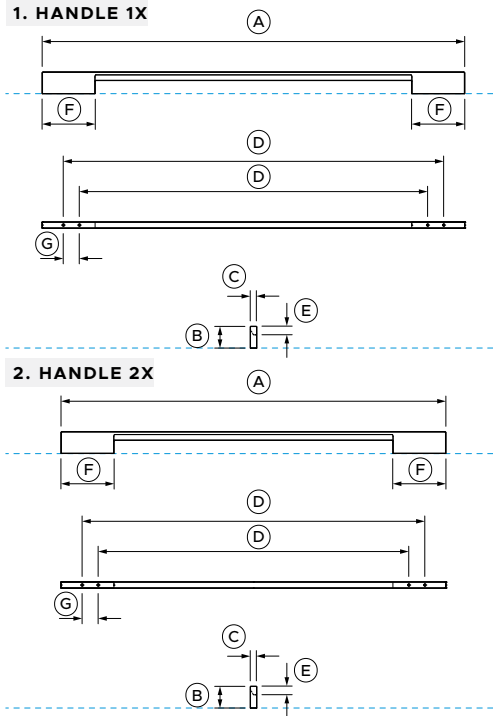
**COOLING - TRIPLE DOOR HANDLE KIT**

Handle kit comes with 3 handles.

Handle 1. = Bottom panel  
Handle 2. = Top panels

**SCREWS**

Handles comes with M5 X 1" (25mm) Pan Head Socket Screw (2 or 4 per handle) suits standard 7 1/2" (19mm) panel. Thicker panels may require counterboring or longer screws.



PRODUCT DIMENSIONS	
<b>A</b>	Overall length
<b>B</b>	Overall Height
<b>C</b>	Overall width
<b>D</b>	Distance between attachment holes - outer - inner
<b>E</b>	Thickness/diameter of handle rail
<b>F</b>	Off-stand width
<b>G</b>	Distance between holes

MINIMAL AHM1RD3684AB				
	1. HANDLE		2. HANDLE	
	inch	mm	inch	mm
<b>A</b>	31 13/32	798	28 5/8	727
<b>B</b>	1 5/8	41	1 5/8	41
<b>C</b>	15/32	12	15/32	12
<b>D</b>	28 5/16	719	25 1/2	647.5
	25 29/32	658	23 1/8	587
<b>E</b>	5/8	16	5/8	16
<b>F</b>	3 15/16	100	3 15/16	100
<b>G</b>	1 3/16	30	1 3/16	30

CONTEMPORARY AHD7RD3684AX				
	1. HANDLE		2. HANDLE	
	inch	mm	inch	mm
<b>A</b>	31 13/32	798	28 5/8	727
<b>B</b>	1 11/16	43	1 11/16	43
<b>C</b>	9/16	14.5	9/16	14.5
<b>D</b>	28 5/16	719	25 1/2	647.5
	25 29/32	658	23 1/8	587
<b>E</b>	9/16	14.5	9/16	14.5
<b>F</b>	3 15/16	100	3 15/16	100
<b>G</b>	1 3/16	30	1 3/16	30

PROFESSIONAL AHP3RD3684A, AHP3RD3684ABA, AHP3RD3684ADC				
	1. HANDLE		2. HANDLE	
	inch	mm	inch	mm
<b>A</b>	29 15/32	748.5	26 21/32	677
<b>B</b>	2 9/32	58	2 9/32	58
<b>C</b>	1 15/32	37.5	1 7/16	37
<b>D</b>	28 5/16	719	25 1/2	647.5
	25 29/32	658	23 1/8	587
<b>E</b>	1	25.5	1	25.5
<b>F</b>	2 3/8	60	2 3/8	60
<b>G</b>	1 3/16	30	1 3/16	30

----- INDICATES PRODUCT DATUM

IMPORTANT NOTE: Throughout this guide, dimensions may vary by ±2mm (1/16"). Please read the installation manual for detailed information on installing the product. For full installation instructions & specifications visit fisherpaykel.com

The models shown in this Planning Guide may not be available in all markets and are subject to change at any time. Product specifications may vary from those shown. This Planning Guide should not be used as installation guidance for any product. Further information is required to safely and correctly install the products featured here. Specific installation guidance will be available with the product on delivery and on our website fisherpaykel.com

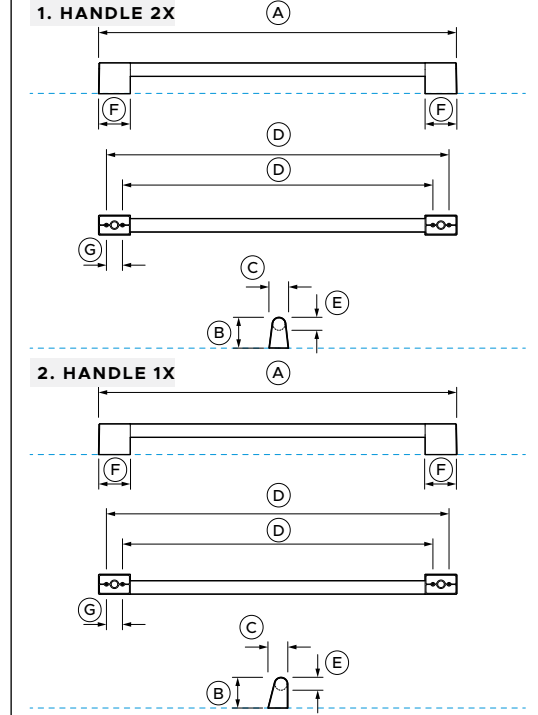
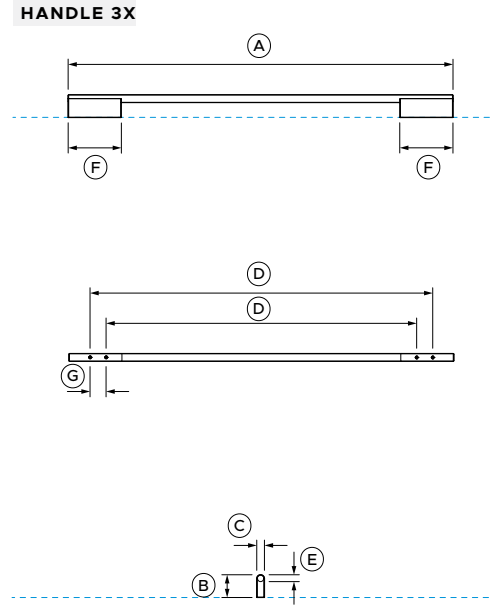
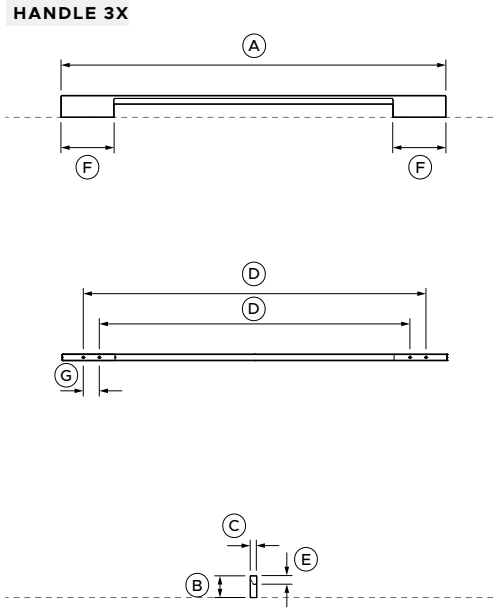
**COOLING - TRIPLE DOOR HANDLE KIT**

Handle kit comes with 3 handles.

Handle 1. = Top panels  
Handle 2. = Bottom panel

**SCREWS**

Handles comes with M5 X 1" (25mm) Pan Head Socket Screw (2 or 4 per handle) suits standard 7 1/2" (19mm) panel. Thicker panels may require counterboring or longer screws.



PRODUCT DIMENSIONS		inch	mm
<b>A</b>	Overall length	28 5/8	727
<b>B</b>	Overall Height	1 5/8	41
<b>C</b>	Overall width	15/32	12
<b>D</b>	Distance between attachment holes		
	- outer	25 1/2	647.5
	- inner	23 1/8	587
<b>E</b>	Thickness/diameter of handle rail	5/8	16
<b>F</b>	Off-stand width	3 15/16	100
<b>G</b>	Distance between holes	1 3/16	30

----- INDICATES PRODUCT DATUM

MINIMAL		AHM1RD36AB	
		inch	mm
<b>A</b>	Overall length	28 5/8	727
<b>B</b>	Overall Height	1 5/8	41
<b>C</b>	Overall width	15/32	12
<b>D</b>	Distance between attachment holes		
	- outer	25 1/2	647.5
	- inner	23 1/8	587
<b>E</b>	Thickness/diameter of handle rail	5/8	16
<b>F</b>	Off-stand width	3 15/16	100
<b>G</b>	Distance between holes	1 3/16	30

CONTEMPORARY		AHD7RD36AX	
		inch	mm
<b>A</b>	Overall length	28 5/8	727
<b>B</b>	Overall Height	1 11/16	43
<b>C</b>	Overall width	9/16	14.5
<b>D</b>	Distance between attachment holes		
	- outer	25 1/2	647.5
	- inner	23 1/8	587
<b>E</b>	Thickness/diameter of handle rail	9/16	14.5
<b>F</b>	Off-stand width	3 15/16	100
<b>G</b>	Distance between holes	1 3/16	30

PROFESSIONAL				AHP3RD36A			
1. HANDLE		2. HANDLE		1. HANDLE		2. HANDLE	
				inch	mm	inch	mm
<b>A</b>	Overall length	26 21/32	677	26 21/32	677	26 21/32	677
<b>B</b>	Overall Height	2 9/32	58	2 9/32	58	2 9/32	58
<b>C</b>	Overall width	1 7/16	37	1 15/32	37.5	1 15/32	37.5
<b>D</b>	Distance between attachment holes						
	- outer	25 1/2	647.5	25 1/2	647.5	25 1/2	647.5
	- inner	23 1/8	587	23 1/8	587	23 1/8	587
<b>E</b>	Thickness/diameter of handle rail	1	25.5	1	25.5	1	25.5
<b>F</b>	Off-stand width	2 3/8	60	2 3/8	60	2 3/8	60
<b>G</b>	Distance between holes	1 3/16	30	1 3/16	30	1 3/16	30

IMPORTANT NOTE: Throughout this guide, dimensions may vary by ±2mm (1/16"). Please read the installation manual for detailed information on installing the product. For full installation instructions & specifications visit [fisherpaykel.com](http://fisherpaykel.com)

The models shown in this Planning Guide may not be available in all markets and are subject to change at any time. Product specifications may vary from those shown. This Planning Guide should not be used as installation guidance for any product. Further information is required to safely and correctly install the products featured here. Specific installation guidance will be available with the product on delivery and on our website [fisherpaykel.com](http://fisherpaykel.com)

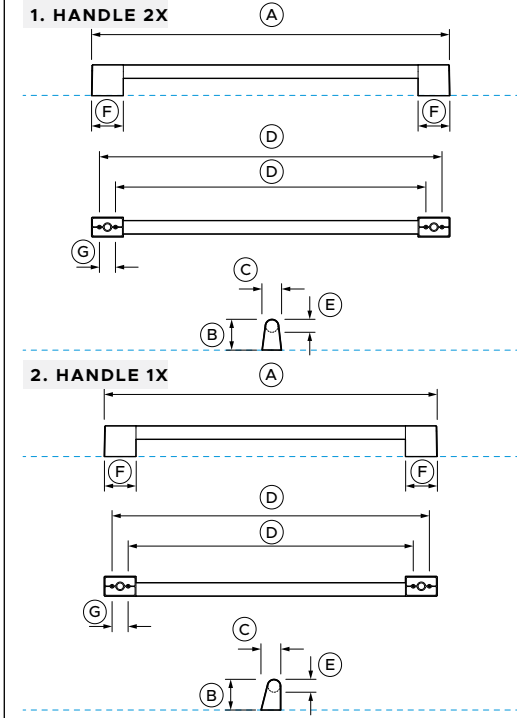
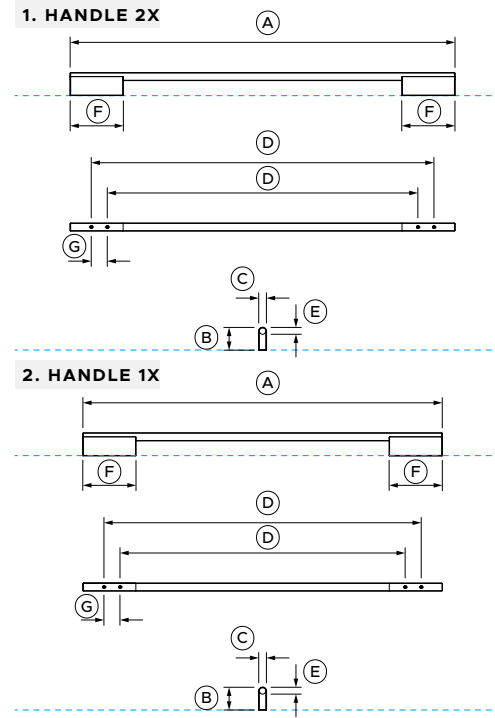
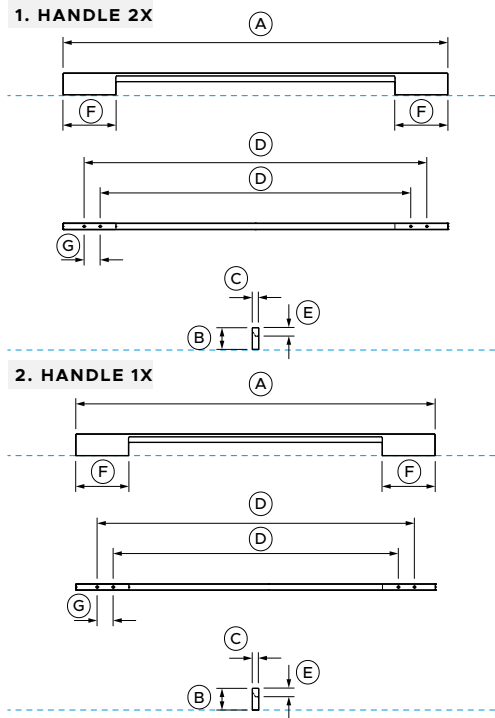
**COOLING - TRIPLE DOOR HANDLE KIT**

Handle kit comes with 3 handles.

Handle 1. = Top panels  
Handle 2. = Bottom panel

**SCREWS**

Handles comes with M5 X 1" (25mm) Pan Head Socket Screw (2 or 4 per handle) suits standard 7 1/2" (19mm) panel. Thicker panels may require counterboring or longer screws.



PRODUCT DIMENSIONS	
<b>A</b>	Overall length
<b>B</b>	Overall Height
<b>C</b>	Overall width
<b>D</b>	Distance between attachment holes - outer - inner
<b>E</b>	Thickness/diameter of handle rail
<b>F</b>	Off-stand width
<b>G</b>	Distance between holes

MINIMAL AHM1RD32AB				
1. HANDLE		2. HANDLE		
inch	mm	inch	mm	
28 5/8	727	26 23/32	679	
1 5/8	41	1 5/8	41	
15/32	12	15/32	12	
25 1/2	647.5	23 19/32	599.5	
23 1/8	587	21 7/32	539	
5/8	16	5/8	16	
3 15/16	100	3 15/16	100	
1 3/16	30	1 3/16	30	

CONTEMPORARY AHD7RD32AX				
1. HANDLE		2. HANDLE		
inch	mm	inch	mm	
28 5/8	727	26 23/32	679	
1 11/16	43	1 11/16	43	
9/16	14.5	9/16	14.5	
25 1/2	647.5	23 19/32	599.5	
23 1/8	587	21 7/32	539	
9/16	14.5	9/16	14.5	
3 15/16	100	3 15/16	100	
1 3/16	30	1 3/16	30	

PROFESSIONAL AHP3RD32A				
1. HANDLE		2. HANDLE		
inch	mm	inch	mm	
26 21/32	677	24 3/4	629	
2 9/32	58	2 9/32	58	
1 7/16	37	1 15/32	37.5	
25 1/2	647.5	23 19/32	599.5	
23 1/8	587	21 7/32	539	
1	25.5	1	25.5	
2 3/8	60	2 3/8	60	
1 3/16	30	1 3/16	30	

----- INDICATES PRODUCT DATUM

IMPORTANT NOTE: Throughout this guide, dimensions may vary by ±2mm (1/16"). Please read the installation manual for detailed information on installing the product. For full installation instructions & specifications visit fisherpaykel.com

The models shown in this Planning Guide may not be available in all markets and are subject to change at any time. Product specifications may vary from those shown. This Planning Guide should not be used as installation guidance for any product. Further information is required to safely and correctly install the products featured here. Specific installation guidance will be available with the product on delivery and on our website fisherpaykel.com

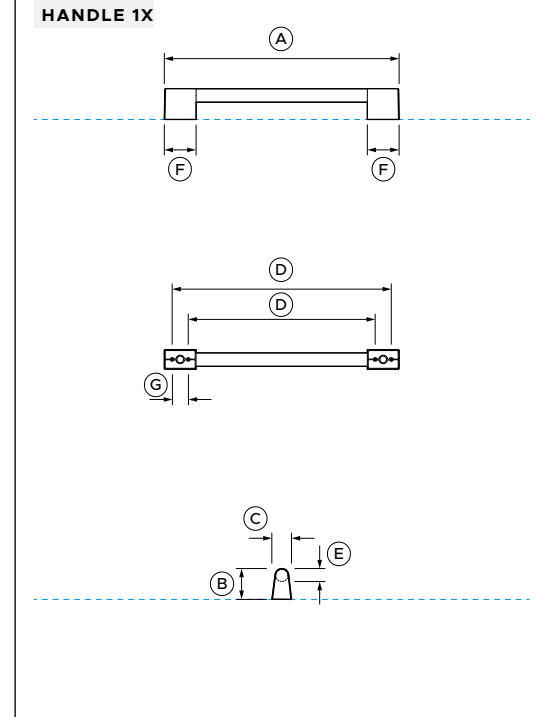
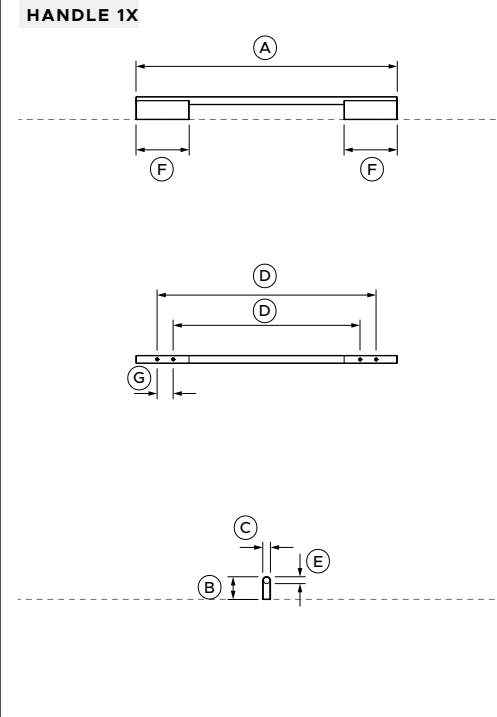
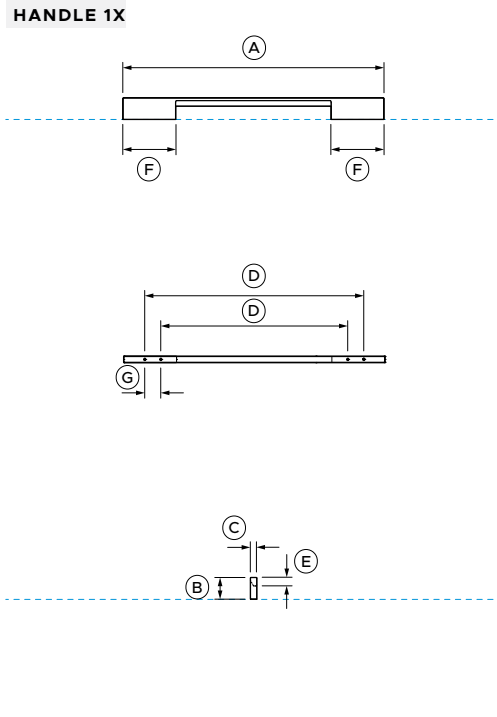


**COOLING - UNDERCOUNTER**

Model code comes with 1 handle.

**SCREWS**

Handles comes with M5 X 1" (25mm) Pan Head Socket Screw (2 or 4 per handle) suits standard 7 1/2" (19mm) panel. Thicker panels may require counterboring or longer screws.



PRODUCT DIMENSIONS	MINIMAL AHM1RD35B		CONTEMPORARY AHD7RD35X		PROFESSIONAL AHP3RD35	
	inch	mm	inch	mm	inch	mm
<b>A</b> Overall length	19 7/16	493.5	19 7/16	493.5	17 15/32	443.5
<b>B</b> Overall Height	1 5/8	41	1 11/16	43	2 9/32	58
<b>C</b> Overall width	15/32	12	9/16	14.5	1 7/16	37
<b>D</b> Distance between attachment holes - outer	16 5/16	414	16 5/16	414	16 5/16	414
- inner	13 29/32	353	13 29/32	353	13 29/32	353
<b>E</b> Thickness/diameter of handle rail	5/8	16	9/16	14.5	1	25.5
<b>F</b> Off-stand width	3 15/16	100	3 15/16	100	2 3/8	60
<b>G</b> Distance between holes	1 3/16	30	1 3/16	30	1 3/16	30

----- INDICATES PRODUCT DATUM

IMPORTANT NOTE: Throughout this guide, dimensions may vary by ±2mm (1/16"). Please read the installation manual for detailed information on installing the product. For full installation instructions & specifications visit [fisherpaykel.com](http://fisherpaykel.com)

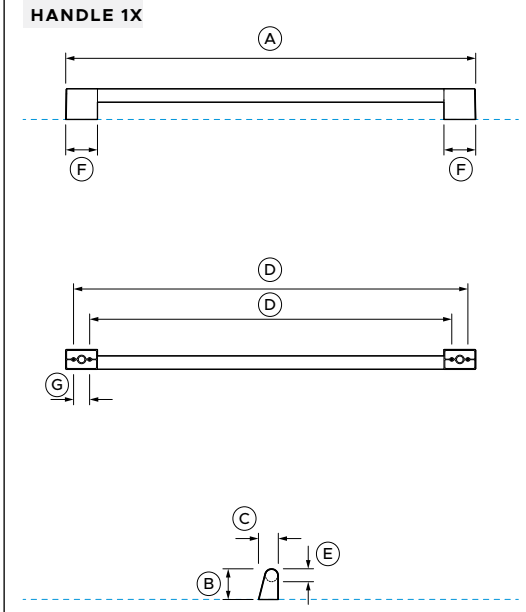
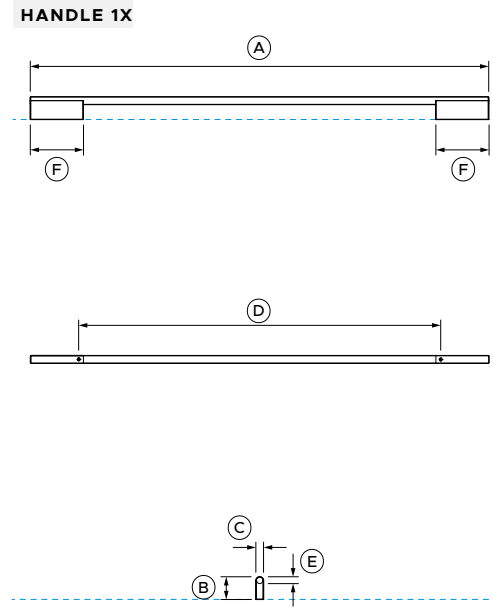
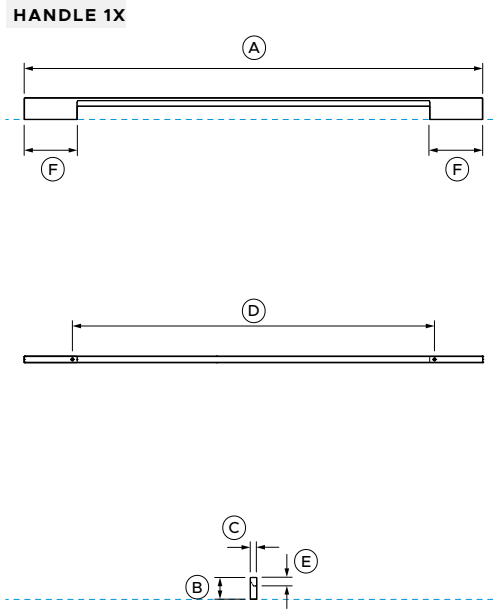
The models shown in this Planning Guide may not be available in all markets and are subject to change at any time. Product specifications may vary from those shown. This Planning Guide should not be used as installation guidance for any product. Further information is required to safely and correctly install the products featured here. Specific installation guidance will be available with the product on delivery and on our website [fisherpaykel.com](http://fisherpaykel.com)

**COOLING - COOLDRAWER™**

Model code comes with 1 handle.

**SCREWS**

Handles comes with M5 X 1" (25mm) Pan Head Socket Screw (2 or 4 per handle) suits standard 7 1/2" (19mm) panel. Thicker panels may require counterboring or longer screws.



**MINIMAL**

AHM1RD36SB

PRODUCT DIMENSIONS		inch	mm
<b>A</b>	Overall length	34 3/32	866
<b>B</b>	Overall Height	1 5/8	41
<b>C</b>	Overall width	15/32	12
<b>D</b>	Distance between attachment holes	26 15/16	684
<b>E</b>	Thickness/diameter of handle rail	5/8	16
<b>F</b>	Off-stand width	3 15/16	100
<b>G</b>	Distance between holes	-	-

**CONTEMPORARY**

AHD7RD36SX

PRODUCT DIMENSIONS		inch	mm
<b>A</b>	Overall length	34 3/32	866
<b>B</b>	Overall Height	1 11/16	43
<b>C</b>	Overall width	9/16	14.5
<b>D</b>	Distance between attachment holes	26 15/16	684
<b>E</b>	Thickness/diameter of handle rail	9/16	14.5
<b>F</b>	Off-stand width	3 15/16	100
<b>G</b>	Distance between holes	-	-

**PROFESSIONAL**

AHP3RD36S

PRODUCT DIMENSIONS		inch	mm
<b>A</b>	Overall length	30 1/2	774.5
<b>B</b>	Overall Height	2 9/32	58
<b>C</b>	Overall width	1 15/32	37.5
<b>D</b>	Distance between attachment holes	outer 29 5/16 inner 26 15/16	outer 745 inner 684
<b>E</b>	Thickness/diameter of handle rail	1	25.5
<b>F</b>	Off-stand width	2 3/8	60
<b>G</b>	Distance between holes	1 3/16	30

----- INDICATES PRODUCT DATUM

IMPORTANT NOTE: Throughout this guide, dimensions may vary by ±2mm (1/16"). Please read the installation manual for detailed information on installing the product. For full installation instructions & specifications visit [fisherpaykel.com](http://fisherpaykel.com)

The models shown in this Planning Guide may not be available in all markets and are subject to change at any time. Product specifications may vary from those shown. This Planning Guide should not be used as installation guidance for any product. Further information is required to safely and correctly install the products featured here. Specific installation guidance will be available with the product on delivery and on our website [fisherpaykel.com](http://fisherpaykel.com)

