

# ABWC472PR 24" DUAL ZONE WINE CELLAR PANEL-READY

# AVIVA



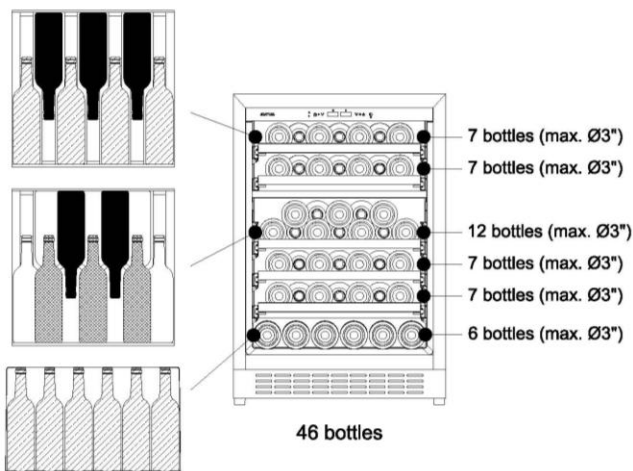
## CONTROLS AND FUNCTIONS

Product type	Dual Zone Wine cellar
Temperature zone(s)	Upper Zone: 5-10°C (41-50°F) Lower Zone: 10-18°C (50-64°F)
Configuration	Single door
Controls	Electronic touch controls with Blue LED display
Interior lighting	4-level Blue LED lighting on top
Door open alarm	Yes
High-temperature alarm	Yes
Multi-sensor precision temperature control	Yes
Fan-assisted cooling	Yes
Sabbath mode	Yes

## SPECIFICATIONS AND DIMENSIONS

Dimensions	23 7/16"(W) x 23 1/8"(D) x 34 1/4"(H)
Sound level	39 dBA
Capacity	46 bottles (750-ml)
Shelves	5 ball-bearing, full-extension, soft-close wood racks with stainless front
Door & hinge	Field-reversible door with articulated hinge
Door frame	Panel-ready
Glass door	Triple-pane with Low-e argon gas
Door lock	No
Handle	Tubular pro (included in package)
Kickplate	Black metal
Cabinet color	Black
Air filtration	Yes - with carbon filter
Installation	Built-in or freestanding
Refrigerant	R600a
Compressor	Embraco
Electrical requirements	115V / 60Hz / 1.25A
Warranty	2 years parts and labor, 5 years sealed system (parts only)
UPC Code	628173081512

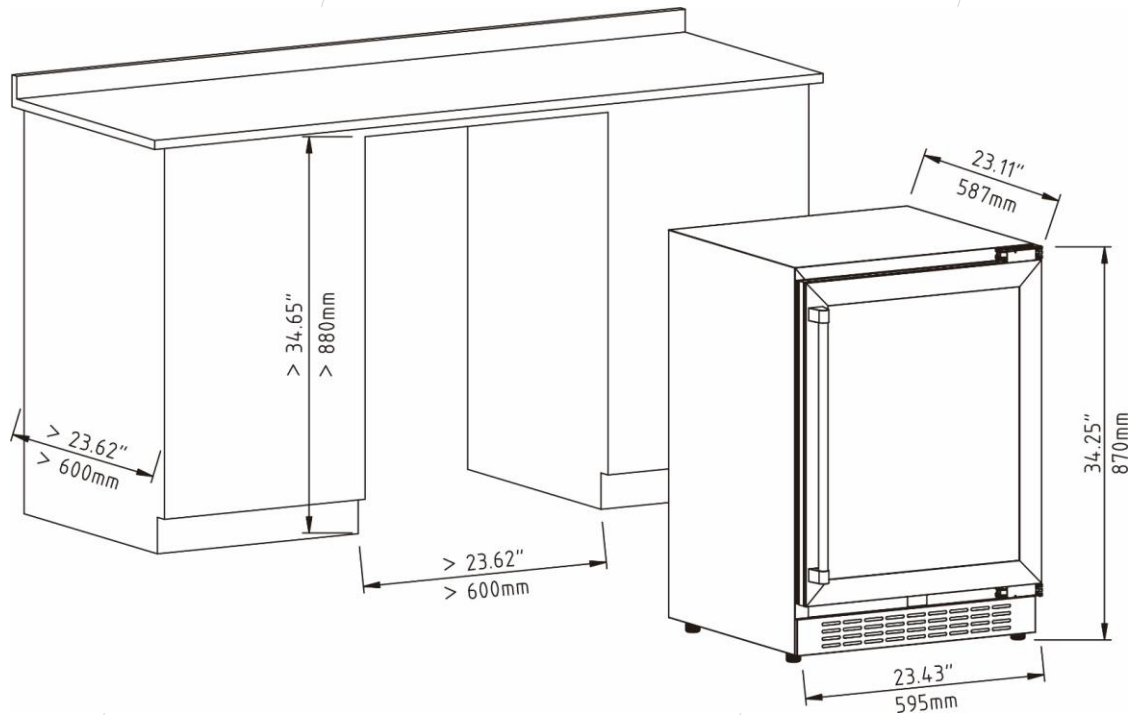
## LOADING CAPACITY



# ABWC472PR 24" DUAL ZONE WINE CELLAR PANEL-READY

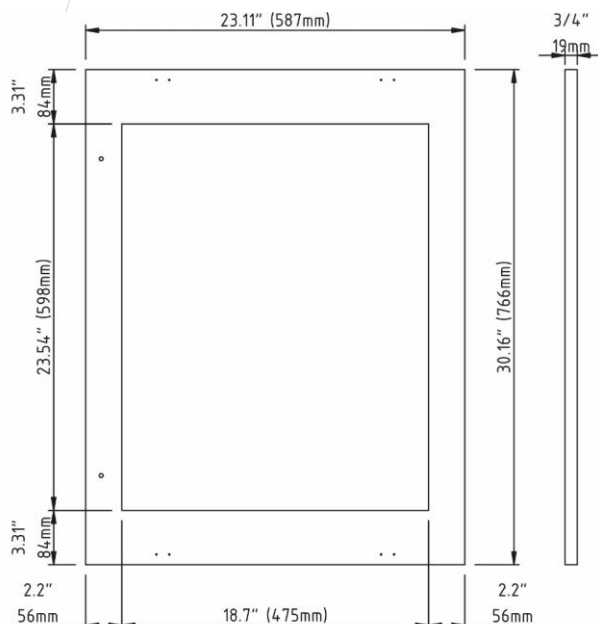
# AVIVA

## DIMENSIONS & INSTALLATION



Note: If the appliance is fully built in and installed with a kitchen plinth, ensure that the ventilation openings in the plinth provide at least 300 cm<sup>2</sup> of free airflow. Remove any ventilation grilles so that hot air can disperse without obstruction. Otherwise, the appliance will operate under higher strain, leading to increased energy consumption.

## OVERLAY PANEL DIMENSIONS *(panel not included)*



Door Panel Width	587 mm (23.11")
Door Panel Height	766 mm (30.16")
Door Panel Depth	19 mm (.75")
Door Panel Weight	10 lbs. max
Viewable Area Width	475 mm (18.7")
Viewable Area Height	598 mm (23.54")