

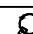


Thank you for purchasing this quality product. Be sure to check all packing materials carefully for small parts, which may have come loose inside the carton during shipment. Identify and count all items and compare with the parts list and/or hardware list shown below.

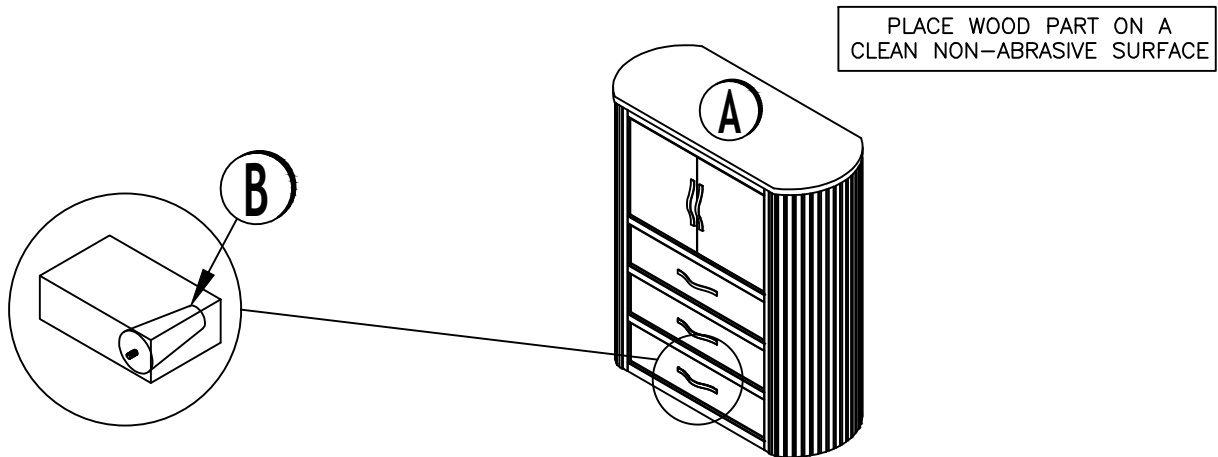
Caution : please read the instruction thoroughly before assembly.

1. We recommended that you assemble this product with the assistance of another person, this will make the assembly easier, and will help eliminate damage to the product or injury to persons during assembly.
2. Please do not tighten screws or bolt until the assembly is completed.
3. Please put all parts on a non-abrasive floor before assembly and follow the assembly steps to assemble your newly purchased product correctly and efficiently.

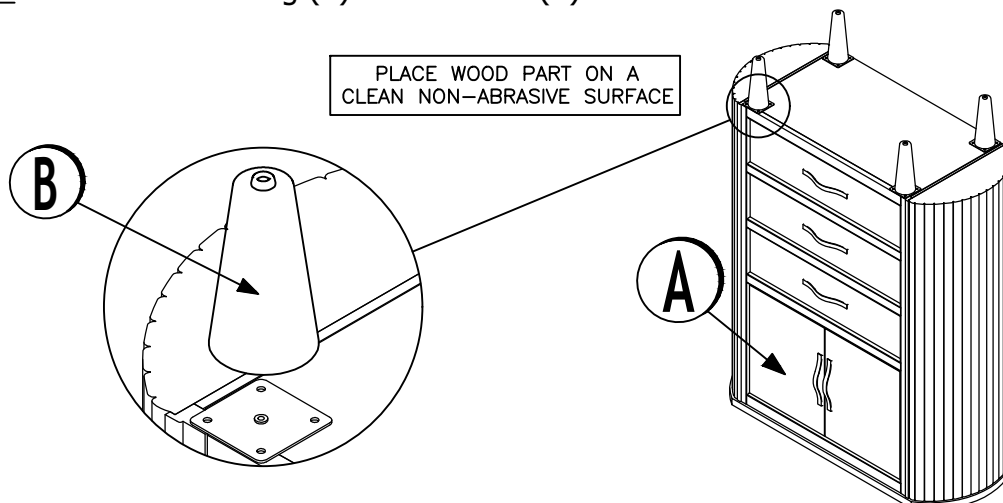
PARTS LIST			
NO.	DESCRIPTION	SKETCH	QTY
A	CHEST		1 pc
B	LEG		4 pcs

HARDWARE LIST			
NO.	DESCRIPTION	SKETCH	QTY
1	Anti-Tipping Kit		1 pc

STEP 1 : Locate the Leg (B) package in th lowest drawer.



STEP 2 : Assemble the Leg (B) to the Chest (A).



Assembly Instructions

ITEM NO. B1434-070
SKYLINE - CHEST

STEP 3 : Assembly the Anti-Tipping Kit (1) to the Chest (A).

PLACE WOOD PART ON A
CLEAN NON-ABRASIVE SURFACE

