

# LSCG307ST / LSCG367ST

# LSCG307BD / LSCG367BD

## 30" and 36" Gas Cooktops

### Integrated, Pro-Style Design

Dual Stacked UltraHeat™ 19,000 BTU Center Burner

(900 BTU Simmer)

3 Heavy-Duty Continuous Cast Iron Grates (Dishwasher Safe)

Red LED Backlit Metal Knobs

2 Year Limited Warranty



#### GENERAL FEATURES

Width	30" / 36"
Installation Type	Built In
Color Availability	STS
Cooktop	Front Knob Control
Layout	Intuitive split
Griddle Plate	Yes
Lighting	Red LED Backlit Metal Knobs
<b>OVEN</b>	
Material	Stainless Steel
Top Plate	STS 304 #4 Hair lined
No. of Burners	5
Burner type	Sealed
Fuel Type	LNG / LPG
Grates	Continuous, Dishwasher Safe
No. of Grates	3
Valves	Push & Turn
-Knobs/Material	Silver plating, Hair lined
<b>BTU/h (LNG/LPG)</b>	
-Right Front	12,000 / 9,500
-Left Front	9,100 / 9,100
-Left Rear	9,100 / 9,100
-Center	19,000 / 15,000
-Right Rear	5,000 / 5,000
<b>Simmer BTU/h (LNG &amp; LPG)</b>	
-Right Front	2,200
-Left Front	1,600
-Left Rear	1,600
-Center	900
-Right Rear	1,300

#### DIMENSIONS

	30"	36"
Width	30"	36"
Height	3 3/4"	3 3/4"
Depth	21 11/16"	21 11/16"
Width Cutout	28 1/2"	33 15/16"
Depth Cutout	19 11/16"	19 11/16"
Height Package	10 1/2"	10 1/2"
Depth Package	25 31/32"	25 31/32"
Width Package	34 9/16"	40"
Minimum Spacing to Back Wall	2 3/4"	2 3/4"
Minimum Spacing to Left Wall	11"	11"
Minimum Spacing to Right Wall	11"	11"
Minimum Front Countertop Clearance	1 5/8"	1 5/8"
Net Weight (lbs)	44.53lbs	50.05lbs
Gross Weight (lbs)	53.57lbs	61.29lbs

#### POWER

Rating	120V 60 Hz / 0.3A
Electric supply	120 V / 60Hz AC

#### ACCESSORIES

Griddle Plate	1
---------------	---

#### WARRANTY

Limited Warranty	2 Years Parts and Labor
------------------	-------------------------

#### UPC

LSCG307ST	048232333237
LSCG367ST	048232333220
LSCG307BD	048231340434
LSCG367BD	048231340427

# LSCG307ST / LSCG367ST

# LSCG307BD / LSCG367BD

## 30" and 36" Gas Cooktops

### QUICK INSTALL & CLEARANCES

For full installation directions/clearances please refer to the corresponding User Manual and Installation Guide.

#### 30" Gas Cooktop

##### DIMENSIONS

Depth	21-11/16"
Height	3-3/4"
Width	30"
Cutout Width	28-1/2"
Cutout Depth	19-11/16"
Minimum Spacing	2-3/4" (Back), 11" (Left), 11" (Right), 1-5/8" (Front)

##### POWER SOURCE

Rating	120V 60 Hz / 0.3A
Electric supply	120 V / 60Hz AC

#### 36" Gas Cooktop

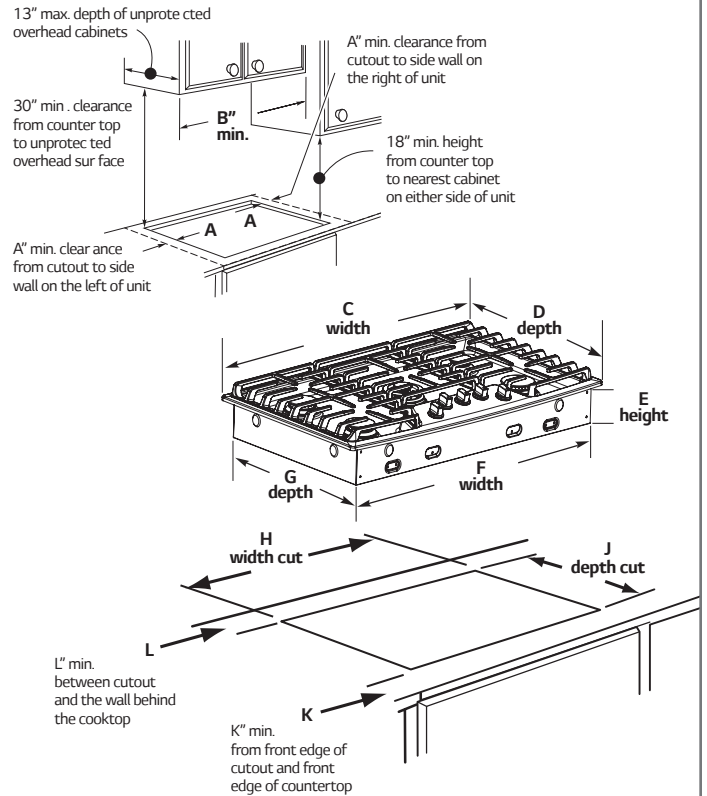
##### DIMENSIONS

Depth	21-11/16"
Height	3-3/4"
Width	36"
Cutout Width	33-15/16"
Cutout Depth	19-11/16"
Minimum Spacing	2-3/4" (Back), 11" (Left), 11" (Right), 1-5/8" (Front)

##### POWER

Rating	120V 60 Hz / 0.3A
Electric supply	120 V / 60Hz AC

#### PREPARING THE INSTALLATION LOCATION



#### 30" Gas Cooktop

A	11-13/16"
B	30"
C	30"
D	21-11/16"
E	3-3/4"
F	28-1/4"
G	19-3/8"
H	28-1/2"
J	19-11/16"
K	1-5/8"
L	2-3/4"

#### 36" Gas Cooktop

A	11-13/16"
B	36"
C	36"
D	21-11/16"
E	3-3/4"
F	33-5/8"
G	19-3/8"
H	33-15/16"
J	19-11/16"
K	1-5/8"
L	2-3/4"