



30-INCH SINGLE WALL OVEN

DOB30M977S | MODERNIST COLLECTION



AVAILABLE MODELS

- DOB30M977SM 30" Steam-Assisted Single Wall Oven Graphite Stainless Steel
- DOB30M977SS 30" Steam-Assisted Single Wall Oven Stainless Steel

FEATURES & BENEFITS

- Available in graphite stainless steel and silver stainless steel.
- Exclusive Four-Part Dual Pure Convection - heat, air, baffle and filter to precisely distribute heat for superior cooking results.
- Steam and Convection Oven - the power of steam assist and convection cooking in one.
- Oven capacity: 4.8 cu. ft.
- Easy to use / refill water reservoir for steam cooking.
- 7" LCD control panel.
- BrightVue™ - integrated LED lights in the oven door + Halogen lights.
- SoftShut™ oven doors.
- Dacor iQ Kitchen app with integrated Wi-Fi to control and monitor remotely.

ACCESSORIES (INCLUDED)

GLIDERACK™	2
STANDARD RACK	1
TEMPERATURE PROBE	1
MESH FILTER	2
AUTOMATIC WATER RESERVOIR	1

ACCESSORIES (OPTIONAL)

COOKIE SHEETS (SET OF 3)	SKU - ACSM303
--------------------------	---------------

GENERAL PROPERTIES

COOKING MODES	BAKE - BROIL - CONVECTION BAKE - CONVECTION ROAST - CONVECTION BROIL - FOUR PART PURE CONVECTION - PURE CONVECTION SEAR - STEAM BAKE - STEAM ROAST
---------------	---

ADDITIONAL FEATURES

CLEANING TYPE	SELF CLEAN & GREENCLEAN
CONTROLS	7" TFT LCD
WI FI	YES
RACK POSITIONS	6
CONVECTION TYPE	FOUR PART DUAL PURE CONVECTION WITH MESH FILTER
LIGHTING	BRIGHTVUE™ - LED + HALOGEN

OVEN PERFORMANCE

BAKE	3,000W - 8 PASS
BROIL	4,400W - 10 PASS
CONVECTION ELEMENT	1,300W (EACH - 2,600W TOTAL)
STEAM HEATER	500W

CONTROL FEATURES

DELAY START	YES
KITCHEN TIMER	YES
SABBATH MODE	YES
CHILD LOCK	YES

ADDITIONAL MODES

KEEP WARM	YES
PROOF (LOWER TEMP)	YES
PROOF	YES
PIZZA STONE MODE	YES
DEHYDRATE	YES
GOURMET COOK	YES
INSTANTHEAT™	YES
TEMPERATURE PROBE	YES
AUTO CONVERSION	YES

TECHNICAL DETAILS

CIRCUIT BREAKER (A)	30
VOLTS (V)	240 / 208
FREQUENCY (HZ)	60
ENERGY SOURCE	ELECTRIC

DIMENSIONS & WEIGHT

APPLIANCE DIMENSIONS (H X W X D) (IN.)	28 7/8" X 29 7/8" X 24 1/2"
REQUIRED CUTOUT SIZE (H X W X D) (IN.)	29" X 30 1/4" X 24 7/8"
OVEN CAPACITY (CUBIC FEET)	4.8
NET WEIGHT (LBS)	213.8 LBS

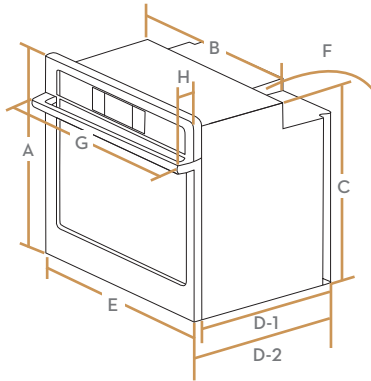
WARRANTY

LIMITED, PARTS AND LABOR	1 YEAR
--------------------------	--------

dacor

30-INCH SINGLE WALL OVEN

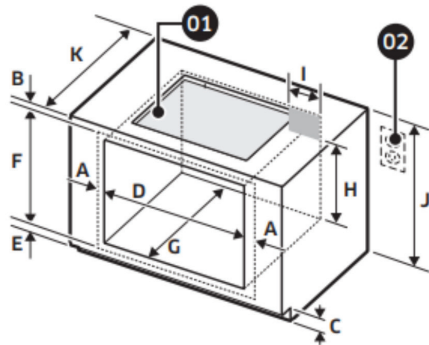
APPLIANCE DIMENSIONS



APPLIANCE DIMENSIONS

A	28 4/5" (73.1CM)	OVERALL HEIGHT (RECESSED HEIGHT IN FLUSH INSTALL)
B	28 1/2" (72.4CM)	RECESSED WIDTH
C	27 1/5" (69.1CM)	RECESSED HEIGHT
D-1	23 1/8" (58.7CM)	RECESSED DEPTH (STANDARD INSTALL)
D-2	24 2/5" (62.0CM)	RECESSED DEPTH (FLUSH INSTALL)
E	29 3/4" (75.6CM)	DOOR WIDTH
F	47 1/4" (120CM)	CONDUIT LENGTH
G	30" (76.2CM)	OVERALL WIDTH (HANDLE WIDTH)
H	2 1/5" (5.6CM)	HANDLE DEPTH

STANDARD CABINET DIMENSIONS



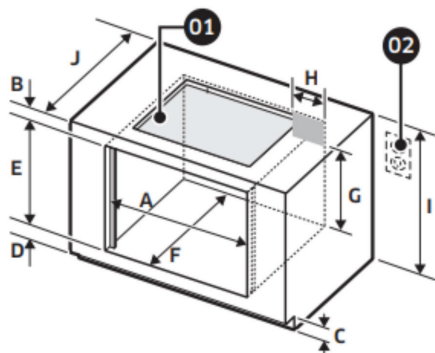
01 - Gas or electric cooktops may be installed over this oven. See cooktop installation instructions for cutout size. See label on top of approved cooktop models.

02 - Gas and Electrical connections for Gas Cooktop must be located in an adjacent accessible location to the right.

CABINET STANDARD DIMENSION

A	MIN. 11/16" (1.75CM) - OVERLAP OF OVER SIDE EDGES OF CUTOUT
B	MIN. 1 3/8" (3.5CM)
C	4" (10.1CM)
D	MIN. 28 1/2" / MAX. 28 5/8" (MIN. 72.4CM / MAX. 72.7CM)
E	MIN. 1" / MAX. 1 1/4" (MIN. 2.5CM / MAX. 3.2CM)
F	MIN. 27 1/4" / MAX. 27 3/8" (MIN. 69.2CM / MAX. 69.5CM)
G	24" (61CM)
H	MIN. 22" (MIN. 55.9CM)
I	MAX. 9 1/2" (MAX. 24.1CM) JUNCTION BOX
J	36" (91.4CM) COUNTER TOP HEIGHT
K	25" (63.5CM)

FLUSH CABINET DIMENSIONS



01 - Gas or electric cooktops may be installed over this oven. See cooktop installation instructions for cutout size. See label on top of approved cooktop models.

02 - Gas and Electrical connections for Gas Cooktop must be located in an adjacent accessible location to the right.

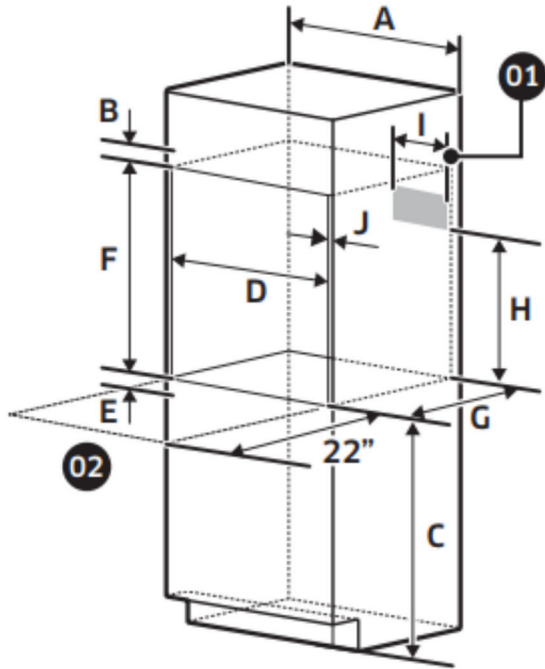
CABINET STANDARD DIMENSION

A	MIN. 30 1/5" / MAX. 30 3/10" (MIN. 76.7CM / MAX. 76.9CM)
B	MIN. 1 3/8" (3.5CM)
C	4" (10.1CM)
D	MIN. 1" / MAX. 1 1/4" (MIN. 2.5CM / MAX. 3.2CM)
E	MIN. 29" / MAX. 29 1/8" (MIN. 73.7CM / MAX. 74.0CM)
F	MIN. 24 4/5" (MIN. 63CM)
G	MIN. 22" (MIN. 55.9CM)
H	MAX. 9 1/2" (MAX. 24.1CM) JUNCTION BOX
I	MIN. 11/16" (1.75CM) - WOODEN CABINET THICKNESS
J	25 4/5" (65.5CM)

dacor

30-INCH SINGLE WALL OVEN

STANDARD WALL MOUNT



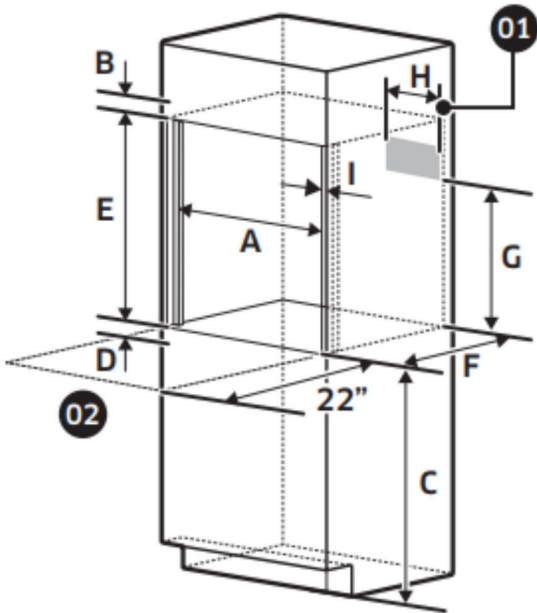
01 - Junction Box

02 - Allow a minimum of 22" for clearance to adjacent corners, drawers, walls, etc. when door is open.

CABINET STANDARD DIMENSION

CABINET	STANDARD DIMENSION
A	30" (76.2)
B	MIN. 1 3/8" (3.5CM)
C	MIN. 31" (MIN 78.7CM)
D	MIN. 28 1/2" / MAX. 28 5/8 (MIN. 72.4CM / MAX. 72.7CM)
E	MIN. 1" / MAX. 1 1/4" (MIN. 2.5CM / MAX 3.2 CM)
F	MIN. 27 1/4 / MAX. 27 3/8 (MIN. 69.2CM / MAX. 69.5CM)
G	MIN. 23 1/2 (MIN 59.7CM)
H	MIN. 22" (MIN. 55.9CM)
I	MAX. 9 1/2" (MAX 24.1CM) - JUNCTION BOX
J	MIN. 11/16" (1.75CM) - WOODEN CABINET THICKNESS

FLUSH WALL MOUNT



01 - Junction Box

02 - Allow a minimum of 22" for clearance to adjacent corners, drawers, walls, etc. when door is open.

CABINET FLUSH DIMENSION

CABINET	FLUSH DIMENSION
A	MIN. 30 1/5" / MAX. 30 3/10" (MIN. 76.7CM / MAX 76.9CM)
B	MIN. 1 3/8" (3.5CM)
C	MIN. 31" (MIN 78.7CM)
D	MIN. 1" / MAX. 29 1/8 (MIN. 73.7CM / MAX. 74CM)
E	MIN. 1" / MAX. 1 1/4" (MIN. 2.5CM / MAX 3.2 CM)
F	MIN. 24 4/5 (MIN 63CM)
G	MIN. 22" (MIN. 55.9CM)
H	MAX. 9 1/2" (MAX 24.1CM) - JUNCTION BOX
I	MIN. 11/16" (1.75CM) - WOODEN CABINET THICKNESS