

ID-36CI



FEATURES

Every Sub-Zero integrated refrigerator or freezer comes ready to be fitted with custom panels and handles for seamless installation with surrounding cabinetry

Smart-touch controls for streamlined access to more settings

Water-filtration system for ice reduces contaminants, chlorine taste and odor

Automatic ice maker with "max ice" feature

Soft-close doors and drawers

Soft-on LED lights for varying degrees of brightness

Rigorously tested in our U.S. manufacturing facilities to ensure at least 20 years of heavy use

Exceptional 24/7 support from our Customer Care team based in Madison, Wisconsin and just footsteps from our factory

ACCESSORIES

Crisper cover

Dual installation kits

Dozen egg container

Stainless steel front panels with tubular or pro handles

Stainless steel kickplate

Stainless steel pro handles

Stainless steel tubular handles

accessories-are-available-through-an-authorized-sz-dealer



HANDLE ACCESSORIES

PRO



TUBULAR



PRODUCT-DETAILS

REFRIGERATOR

- Adjustable drawer dividers

FREEZER

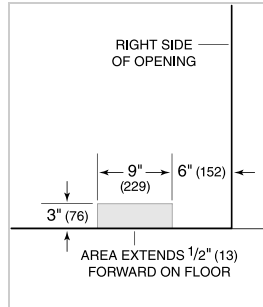
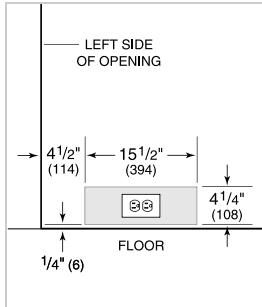
- Adjustable drawer dividers
- Automatic ice maker
- Removable ice container

PRODUCT-SPECIFICATIONS

model	ID-36CI
dimensions	36"W x 34 1/2"H x 24"D
drawer-clearance	18 3/8"
weight	250 lb
refrigerator-capacity	3.4 cu ft
freezer-capacity	2.5 cu ft
electrical-supply	115 VAC, 60 Hz
electrical-service	15 amp dedicated circuit
plumbing-supply	1/4" OD copper, braided stainless steel or PEX tubing
plumbing-pressure	35-120 psi

ELECTRICAL

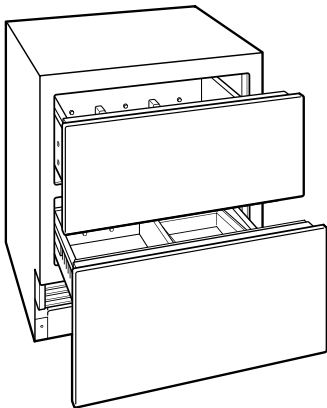
PLUMBING



PANEL-SPECIFICATIONS

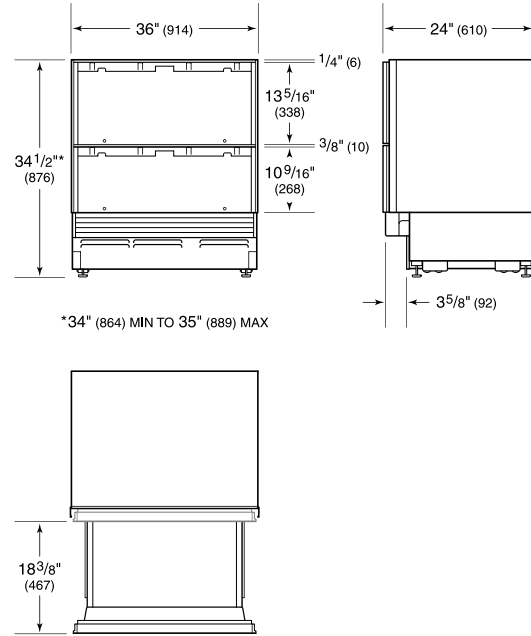
For complete panels specifications including width/height, weight requirements and thickness requirements visit subzero-wolf.com/integratedconfigurator.

INTERIOR-VIEW

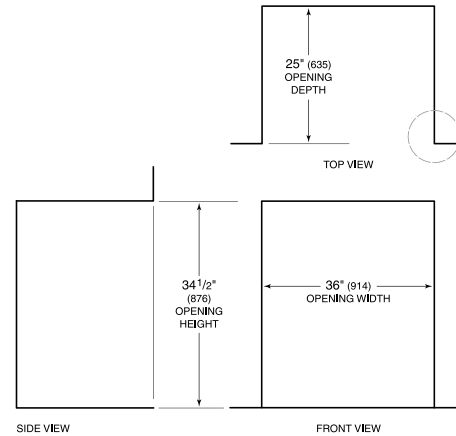


this-illustration-is-intended-for-interior-reference-only-not-represent-the-exterior

DIMENSIONS



STANDARD INSTALLATION



NOTE: 3 1/2" (89) finished returns will be visible and should be finished to match cabinetry.

