

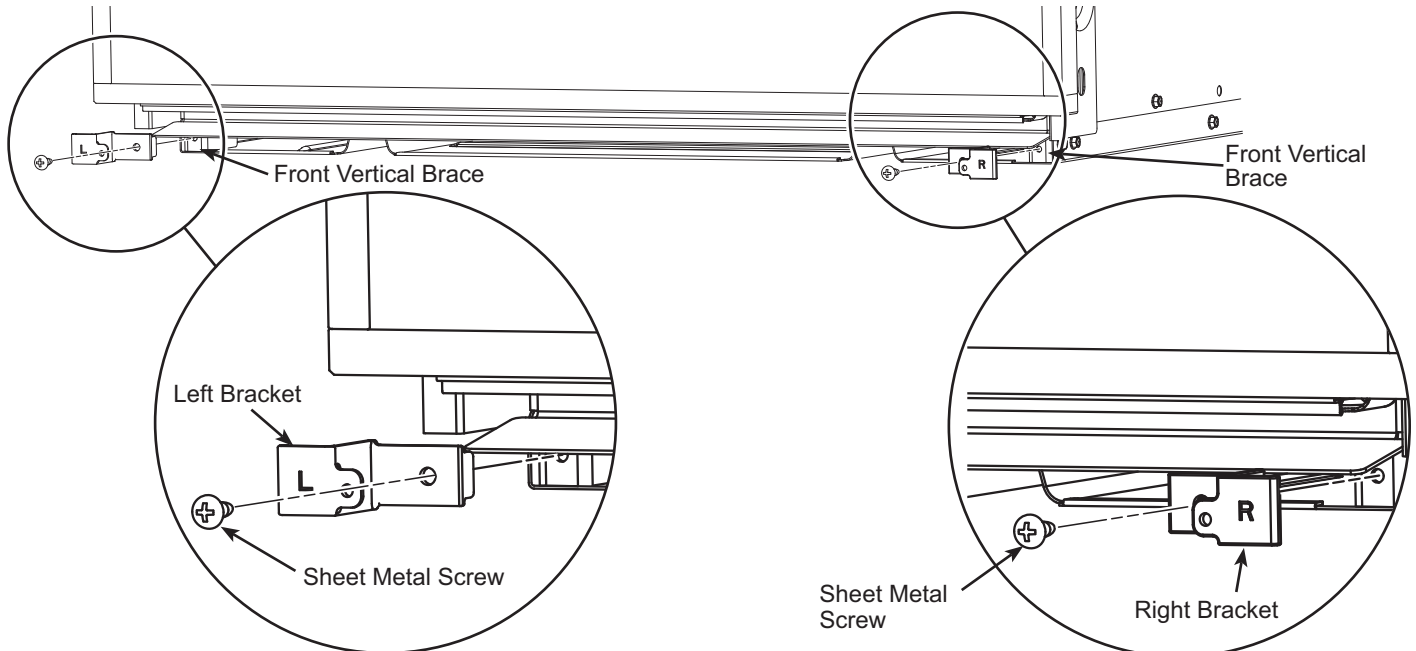


27" Wall Oven Bottom Trim Flush Mount Installation without Pedestal

Questions? Visit us at monogram.com. In Canada, visit monogram.ca.

The oven must be installed before you install this trim kit.

- Attach the LEFT BRACKET (L) on the left side of the oven and the RIGHT BRACKET (R) on the right side of the oven through mounting holes in the front vertical brace. Use the sheet metal screws provided.



- Attach the BOTTOM TRIM to these brackets with the flange inside the cabinet and toward the bottom. Use machine screws provided.

