

# Assembly Instructions






D2521-25 BIANELLO ARM CHAIR

Thank you for purchasing this quality product. Be sure to check all packing materials carefully for small parts, which may have come loose inside the carton during shipment. Identify and count all items and compare with the PARTS LIST and/or HARDWARE LIST shown below.




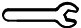




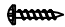
**Caution:** Please read the instructions thoroughly before assembly.

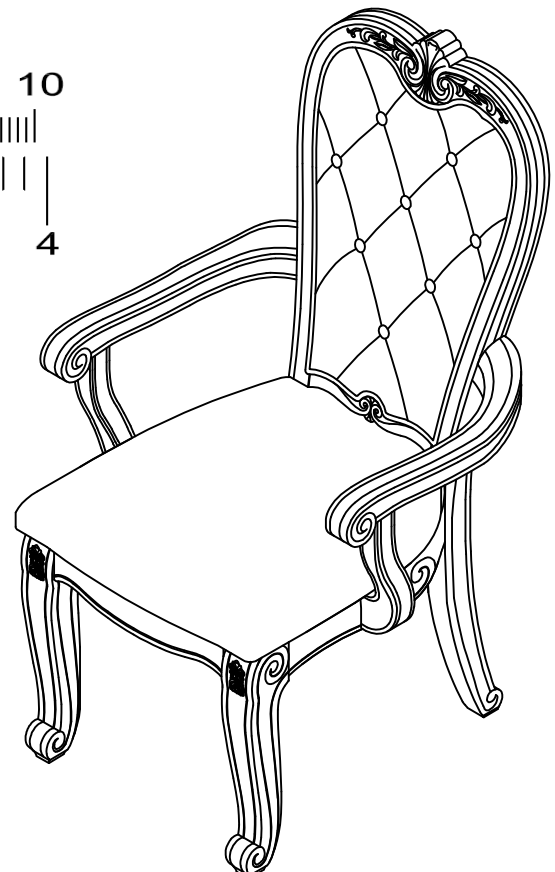
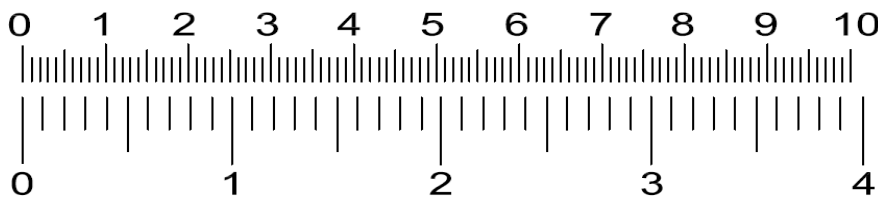
1. We recommend that you assemble this product with the assistance of another person: this will make the assembly easier, and will help eliminate damage to the product or injury to persons during assembly.
2. Please do not over tighten screws or bolts until the assembly is completed.
3. Please put all parts on a non-abrasive floor before assembly, and follow the assembly steps to assemble your newly purchased product correctly and efficiently

## PARTS LIST

NO:	COMPONENT	DRAWING	Q'TY
A	Chair Back		2PCS
B	Seat		2PCS
C	Leg		4PCS
D	LSF Arm		2PCS
E	RSF Arm		2PCS

## HARDWARE LIST

NO:	COMPONENT	DRAWING	Q'TY
1	Bolt Ø5/16"x2-3/8"		16pcs
2	Lock Washer Ø5/16"		16pcs
3	Flat Washer Ø5/16"x3/4"		16pcs
4	Open Wrench 90*12		2pcs
5	Bolt Ø1/4"x1-5/8"		10pcs
6	Lock Washer Ø1/4"		10pcs
7	Flat Washer Ø1/4"x5/8"		10pcs
8	Allen key		2pcs
9	Screw: #8*1-3/4"		4pcs

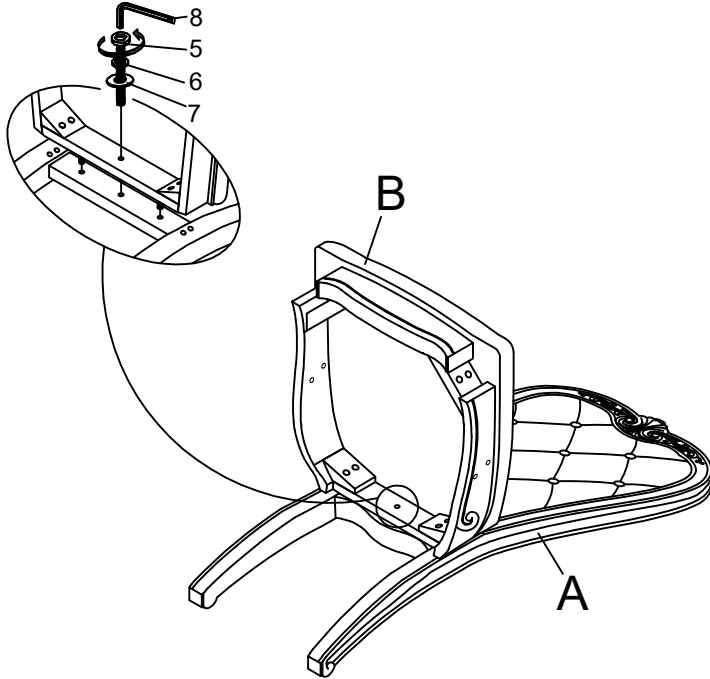


# Assembly Instructions

D2521-25 BIANELLO ARM CHAIR

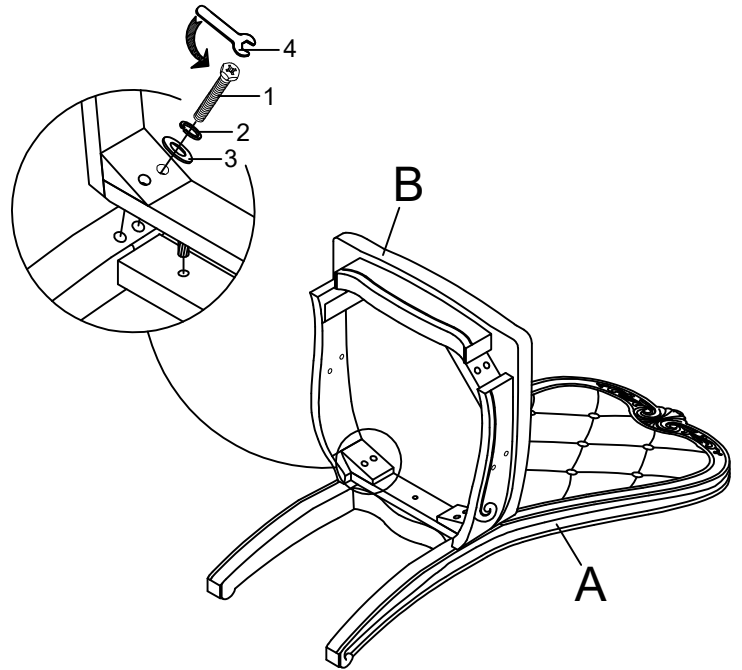
## STEP 1

Place the chair back (A) on a soft and clean surface. Assemble the Seat (B) with the Chair Back (A) by using Allen Key (8) with hardware 5, 6, and 7.



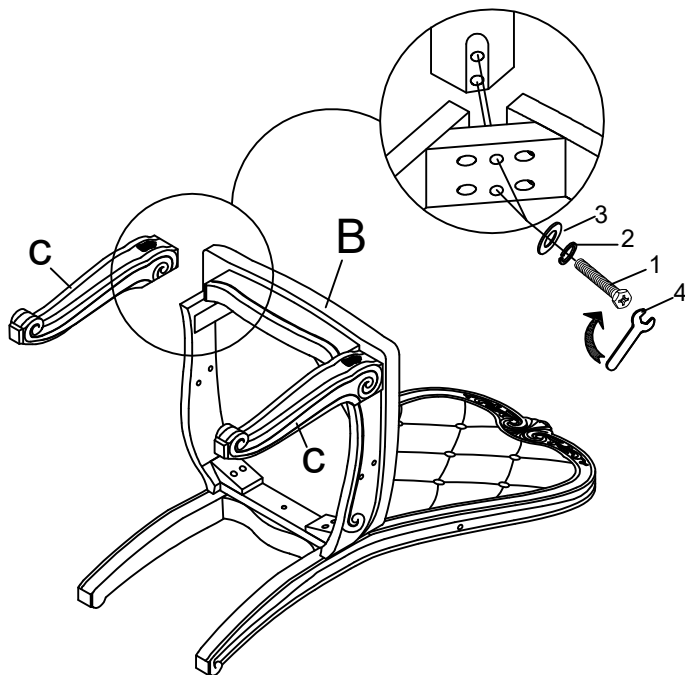
## STEP 2

Assemble the Seat (B) with the back legs of the Chair Back (A) by using Open Wrench (4) with hardware 1, 2, and 3. **\*\*Attention: DO NOT TIGHTEN THE BOLTS.**



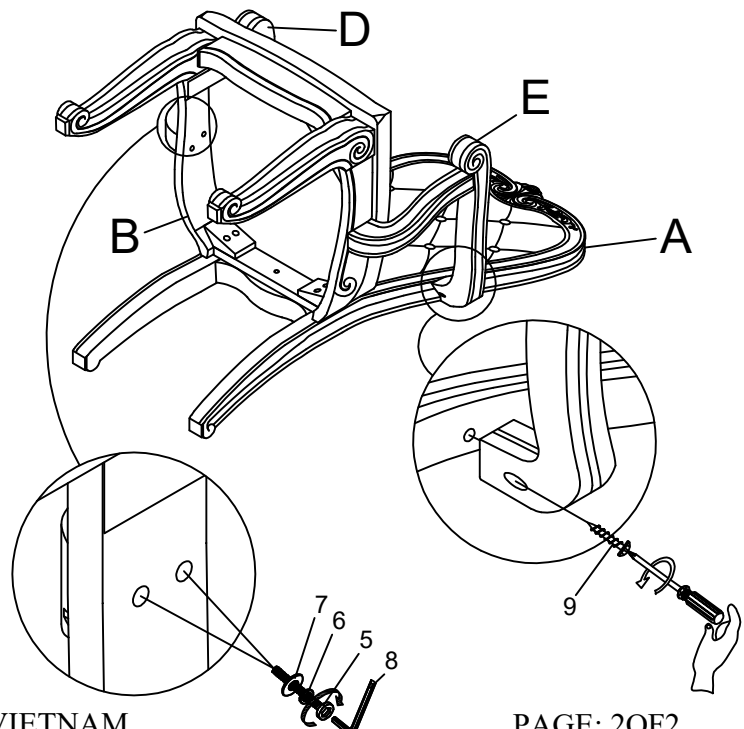
## STEP 3

Assemble the front legs (C) with the Seat (B) by using Open-End Wrench (4) with hardware 1, 2, and 3. **\*\*Attention: DO NOT TIGHTEN THE BOLTS.**



## STEP 4

Assemble the LSF Arm (D) with the Seat (B) by using Allen Key (8) with hardware 5, 6, and 7. Then assemble the LSF Arm (D) with the Chair Back (A) by using a screwdriver with hardware 9. Repeat the step to assemble the RSF Arm (E).





# Assembly Instructions

D2521-25 BIANELLO ARM CHAIR

## STEP 5

To level the chair, stand the chair up on a flat surface and tighten all the bolts by using Open-End Wrench (4).

