

## FURNITURE TIPPING RESTRAINT FOR EMERIE 2 DRAWER ENTRY CONSOLE

Young children may be injured by tipping furniture and the use of a tipping restraint is highly recommended. When properly installed, this restraint could provide protection against the unexpected tipping of furniture due to small tremors, bumps or climbing. We recommend mounting this restraint to a wall stud.

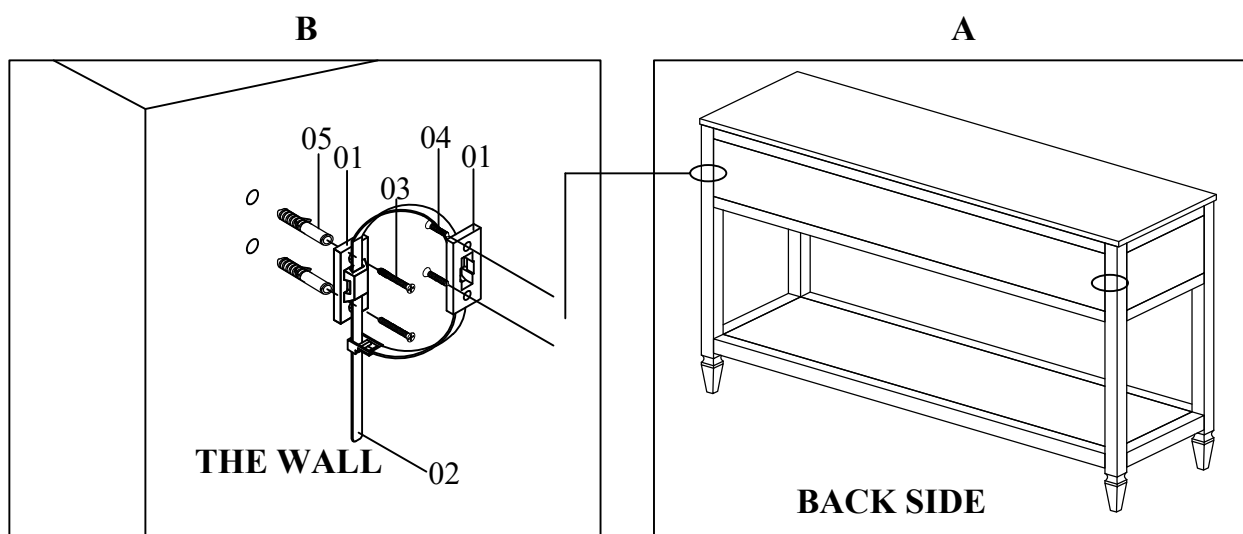
**WARNING:** This product is only a deterrent. It is not a substitute for proper adult supervision.

### TIPPING KIT CHECK LIST

CODE	COMPONENT		QTY
01	BRACKET		4
02	NYLON STRAP		2
03	LONG STUD MOUNTING SCREWS		4
04	SHORT FURNITURE-SIZE MOUNTING SCREWS		4
05	PLASTIC ANCHOR		4

### Installation Instruction:

1. Attach one of the mounting brackets securely near the top back edge of the furniture piece by inserting the screw. Refer to picture A
2. Determine the final position of the furniture piece. Mark location on the wall approximately 1" below the bracket mounted to the back of the furniture.
3. Drill a starter hole into the wall stud. If wall stud is not available, drill a hole into the wall and insert plastic anchor. Gently tap anchor until the flange of the anchor is flush with the wall.
4. Attach the second bracket by inserting and securing the screw to the wall. Refer to picture B.
5. Align the two brackets.
6. Thread the strap through both brackets and tighten until snug.
7. Check to make sure that the brackets are firmly installed and the strap is secured.



Manufacturer's Name: Bella Antique

Manufacturer's Address: Lishutang Village, Dongwu Town, Yinzhou District, Ningbo 315113, China