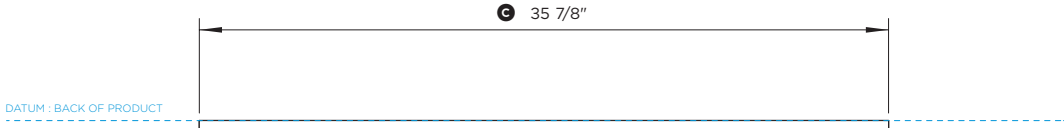
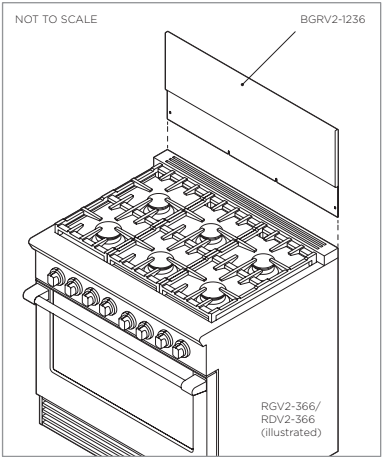
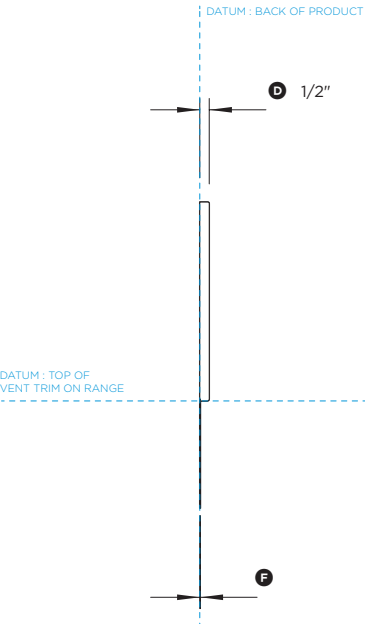


# FISHER & PAYKEL

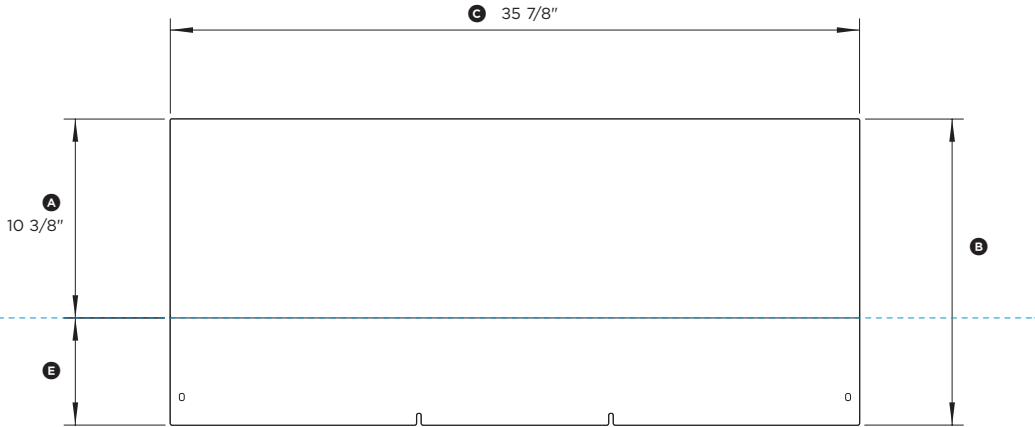
## DATA SHEET 36" Professional Range Backguard



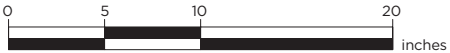
PLAN VIEW



PROFILE VIEW



FRONT VIEW



Model no:  
**BGRV2-1236**  
(refer page 2 for metric measurements)

| Product Dimensions                             | in        |
|--|-----------|
| Ⓐ Height of backguard above vent trim on range | 10 3/8"   |
| Ⓑ Overall height of backguard                  | 15 15/16" |
| Ⓒ Overall width of backguard                   | 35 7/8"   |
| Ⓓ Overall depth of backguard                   | 1/2"      |
| Ⓔ Height of backguard below vent trim on range | 5 9/16"   |
| Ⓕ Depth of backguard below vent trim on range  | 1/16"     |

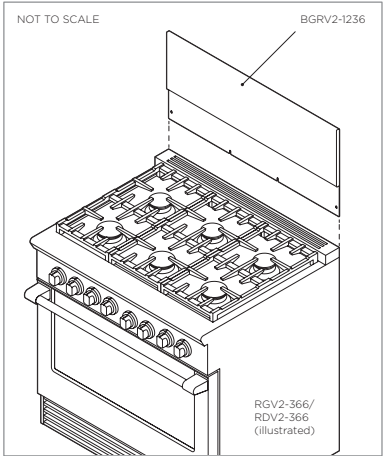
INDICATES PRODUCT DATUM -----

DATE: 24.04.2018

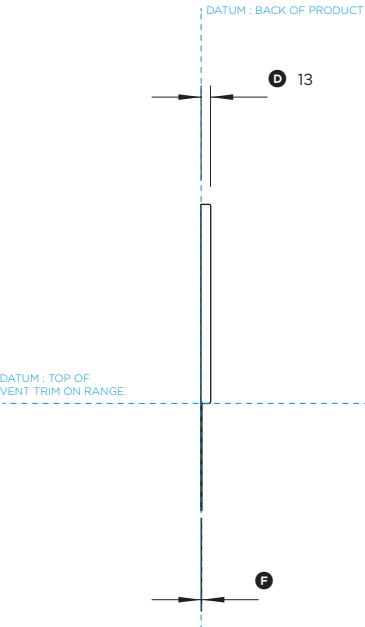
IMPORTANT: Throughout this guide, dimensions may vary by ±2mm (1/16"). Read the installation guide for detailed information on installing the product. For full installation instructions and specifications visit [fisherpaykel.com](http://fisherpaykel.com)

# FISHER & PAYKEL

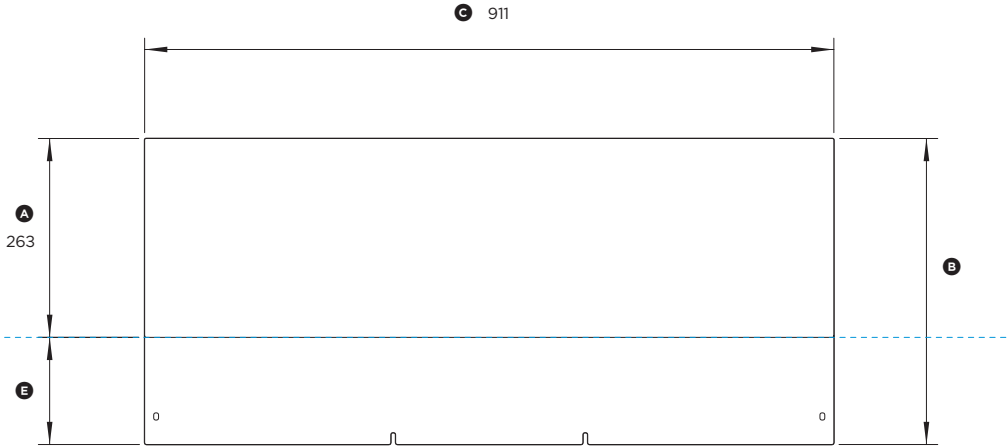
## DATA SHEET 36" Professional Range Backguard



PLAN VIEW



PROFILE VIEW



FRONT VIEW

Model no:  
**BGRV2-1236**  
(refer page 1 for imperial measurements)

| Product Dimensions                             | mm  |
|--|-----|
| Ⓐ Height of backguard above vent trim on range | 263 |
| Ⓑ Overall height of backguard                  | 405 |
| Ⓒ Overall width of backguard                   | 911 |
| Ⓓ Overall depth of backguard                   | 13  |
| Ⓔ Height of backguard below vent trim on range | 142 |
| Ⓕ Depth of backguard below vent trim on range  | 1   |

INDICATES PRODUCT DATUM -----



DATE: **24.04.2018**

IMPORTANT: Throughout this guide, dimensions may vary by ±2mm (1/16"). Read the installation guide for detailed information on installing the product. For full installation instructions and specifications visit [fisherpaykel.com](http://fisherpaykel.com)