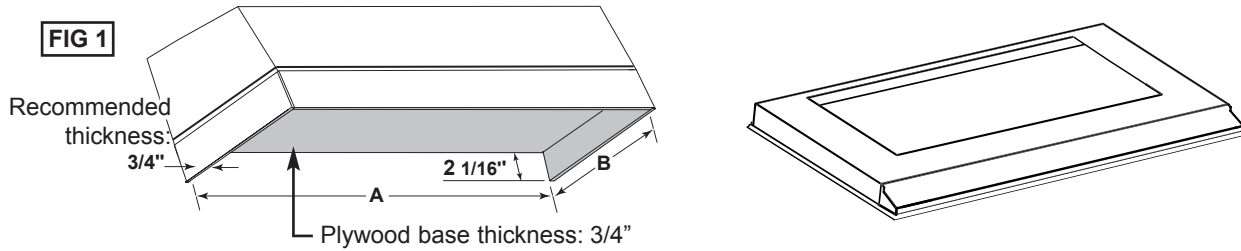




WARNING:

When building a custom hood for a power pack, always follow all applicable construction codes and standards.

See the illustrations and table below to locate your liner choice and use corresponding custom hood base dimensions. For the liner installation, only the bottom of the custom hood is needed. Do not finalize the entire custom hood yet, because an opening is needed for the power pack.



Liner Model	Power Pack Model	Custom Hood Exterior Width	*Inside Width (A)	*Inside Depth (B)	
				Without Backboard	**With Backboard
AK0800AS	AK8000AS	30 inches	28 1/2"	17 1/2" - 20 1/2"	17 1/8" - 20 1/8"
AK0836AS	AK8100AS	36 inches	34 1/2"		
AK0806BS	AK8200AS	36 inches	34 1/2"	17 5/8" - 20 1/8"	17 1/4" - 19 3/4"
AK0806AS		42 inches	40 1/2"	20 1/2" - 23 1/2"	20 1/8" - 23 1/8"
AK0842AS		48 inches	46 1/2"	17 5/8" - 20 1/8"	17 1/4" - 19 3/4"
AK0848AS	AK8300ASX	54 inches	52 1/2"	20 1/2" - 23 1/2"	20 1/8" - 23 1/8"
AK0854AS		60 inches	58 1/2"		
AK0860AS		30 inches	28 1/2"		
AK0840AS	AK8400AS	36 inches	34 1/2"		
AK0846AS	AK8800AG and AK8800AS	36 inches	34 1/2"	20 1/2" - 23 1/2"	20 1/8" - 23 1/8"
AK0886AS		42 inches	40 1/2"		
AK0882AS		48 inches	46 1/2"		
AK0888AS		54 inches	52 1/2"		
AK0884AS		60 inches	58 1/2"		
AK0880AS		36 inches	34 1/2"	26 1/2" - 29 1/2"	26 1/8" - 29 1/8"
AK0886BS		42 inches	40 1/2"		
AK0882BS		48 inches	46 1/2"		
AK0888BS		54 inches	52 1/2"		
AK0884BS		60 inches	58 1/2"		

*Dimension does not include 3/8" wide flange around liner.

**The inside depth shown in the table above assumes a minimum cabinet backboard thickness of 3/8".

FIG 1: Zephyr recommends the base of the custom hood to be 3/4" thick plywood. The sides, front and backboard (if included) of the custom hood to be 3/4" thick, assuming standard cabinet widths.

Consider the shape and size of the power pack to determine the configuration of the custom hood. For more details, refer to the installation manual of the power pack.

Zephyr Ventilation 2277 Harbor Bay Pkwy, Alameda, CA 94502

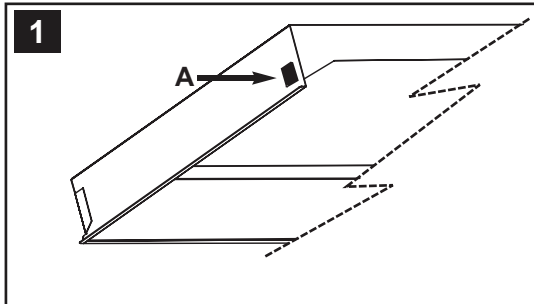
Tel: 1.888.880.8368 Fax: 1.888.990.8368 e-mail: productsupport@zephyronline.com

CAUTION:

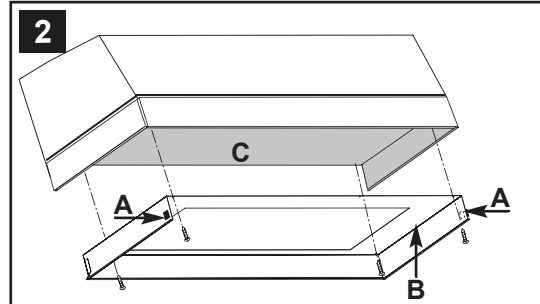
Before installing, remove any protective film from all parts.

The custom hood liner must be installed before the power pack unit. For installation into shallow cabinets (17-5/8" to 21-1/2" inside depth) **the power pack must be installed before the liner front panel section**. This must be done because the power pack flange must fit under the liner front panel section when an overlap occurs.

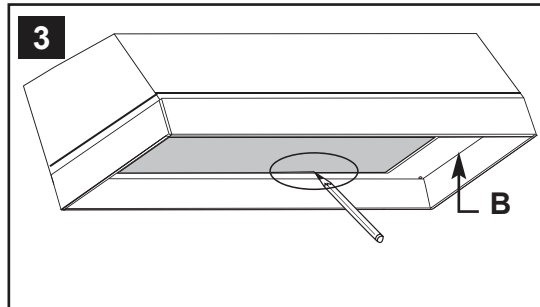
Refer to power pack instructions for mounting height details.



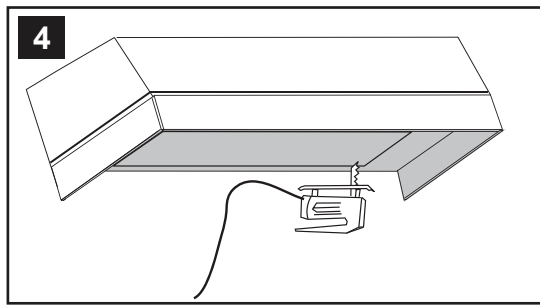
Install 1 small pad (A), included in the hardware package, to each side of the main liner plate. (See figures 1 and 2)



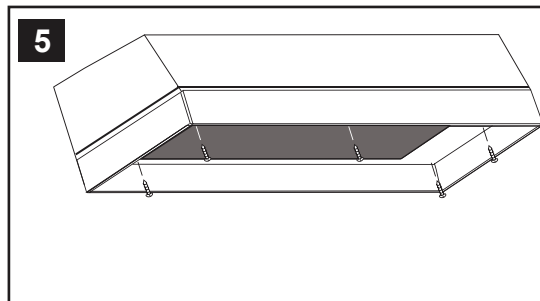
Temporarily install the main liner plate (B) to the external base of the custom hood (C). When inserting the main liner plate, push slightly on the pads (A) to prevent damage. Main liner plate should be positioned as far back as possible.



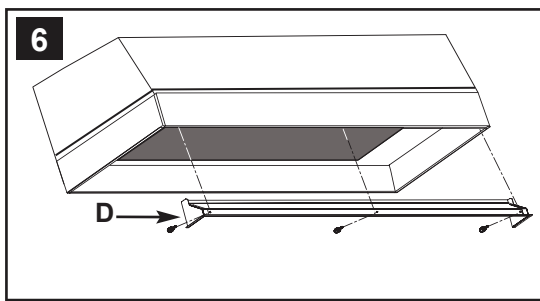
Using a pen, mark the outline of the future opening for the power pack. Remove the main liner plate (B) from the custom hood.



Cut out an opening in the bottom of the custom hood.



Reinstall the main liner plate to the base of the custom hood and secure it with (5) 3/4" screws for 30"/36"/42" custom hood exterior width and (6) for 48"/54"/60" custom hood exterior width.



Slide the front panel section (D) into the nose of the custom hood base. Take care not to scratch the main liner plate when installing the front panel section of the liner. Assemble it to the cabinet using (3) 1/2" screws for 30"/36"/42" custom hood exterior width and (4) for 48"/54"/60" custom hood exterior width.

Note: When installing the power pack it will need to be secured to a wood surface and not only to the liner. See power pack installation manuals for more detailed mounting instructions.