

# CHAMELEON™

## ASSEMBLY INSTRUCTIONS

*Congratulations on your purchase!*

For any questions please call us at:  
800.535.5659 / 860.313.0525 (9am-5pm EST)  
Visit our website at: [www.salamanderdesigns.com](http://www.salamanderdesigns.com)

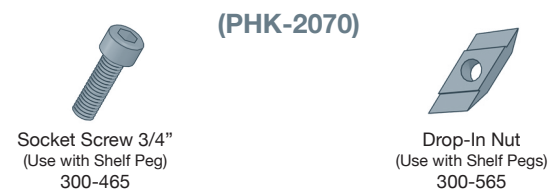


### Chameleon Hardware

You will need a Phillips head screwdriver to assemble your Chameleon Cabinet.



Optional: Infinitely Adjustable Shelf Kit (See Fine Tuning)



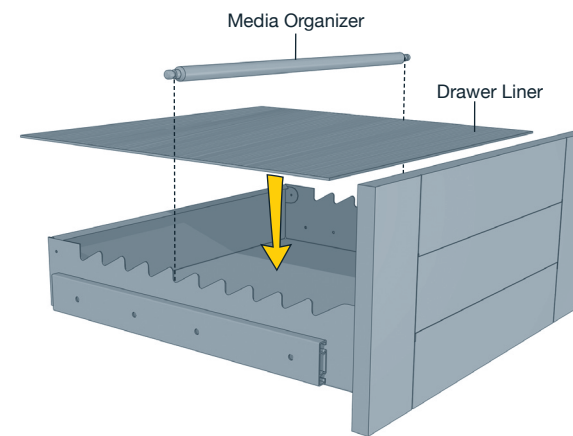
#### LIMITED WARRANTY

Salamander warrants against manufacturing defects for the lifetime of the product. Salamander will repair or replace, at our option, any product defective in materials or craftsmanship.

### Chameleon Options

#### Media Drawer Assembly

- A** Set drawer liner (303-555) on bottom of tray.



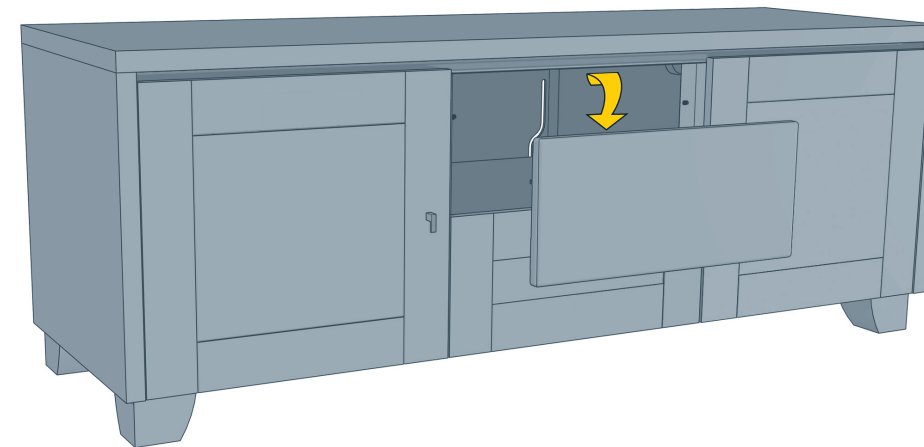
- B** Place media organizer (303-310).

**Note:** Horizontal grooves.

#### Speaker Grill Removal

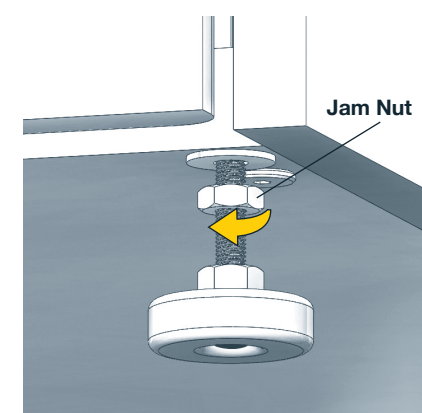
(Applicable Models Only)

- A** Remove by lifting up and out.



## 1 Level Cabinet

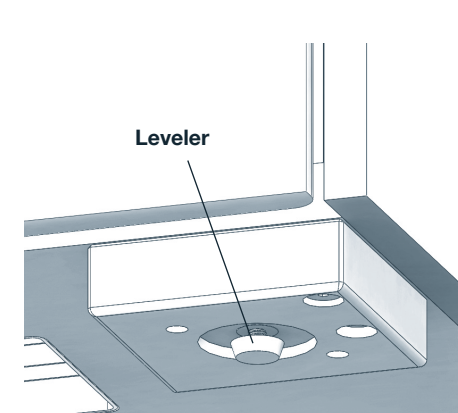
Prior to installing components, it is important to level the cabinet with the floor. Verify that **all** of the feet are properly adjusted to support the cabinet evenly.



(Applicable Models Only)

#### Leveler Foot

Loosen jam nut with supplied wrench and tighten to the locked position. *Wrench included.*



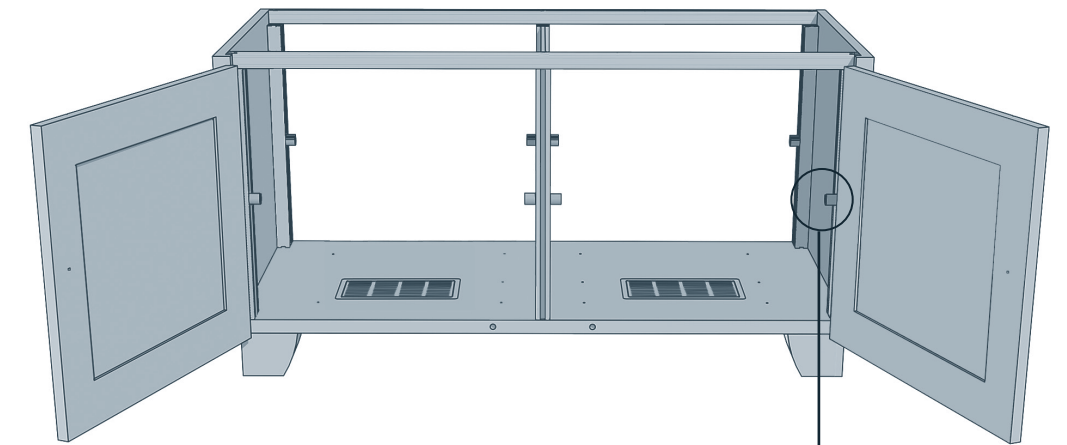
#### Wood Block Foot

Lift cabinet and adjust leveler by hand.

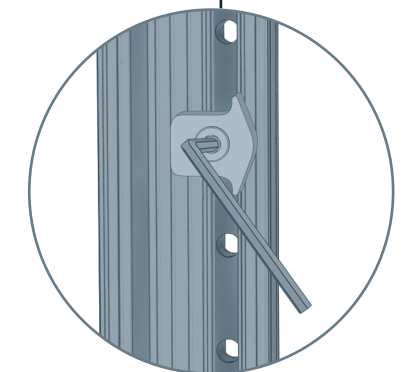
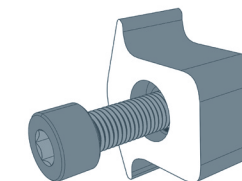
*Note: Twin cabinet shown. Follow same process for all configurations.*

## 2 Install Shelves

**TIP:** For Infinitely Adjustable Shelves please skip ahead to "Fine Tuning & Tips."

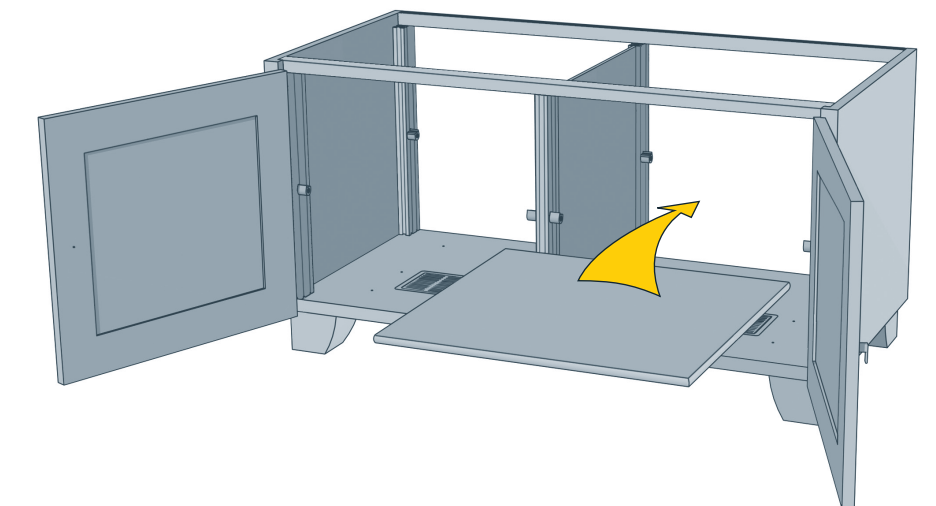


- A** Assemble shelf pegs with socket screws (300-455).



- B** Affix shelf peg assembly to post at desired position and secure using hex key.

- C** Remove plastic coating from shelves and place onto shelf pegs.



**TIP:** At this point you may install accessories (IR Repeater Kit, Power Conditioner, Etc.) and place components.

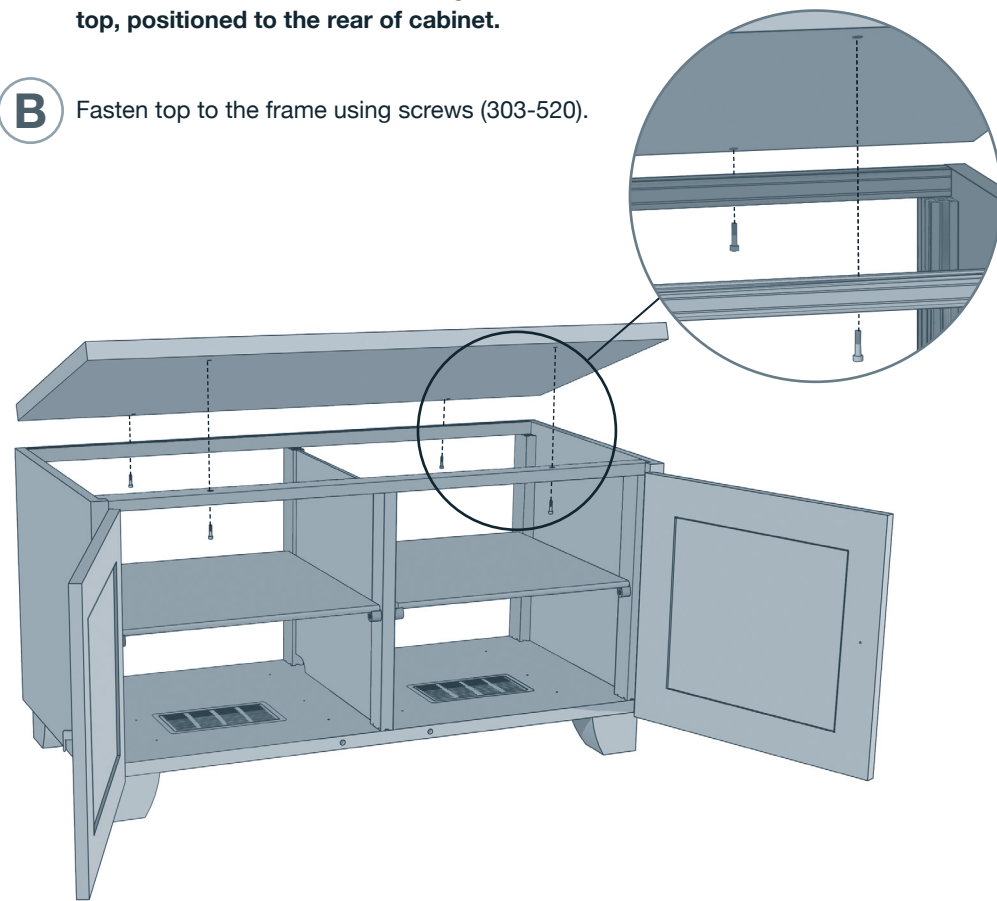
### 3 Place & Secure Top

**TIP:** If you have a TV Mount, install it before securing the Top.

#### Wood Top

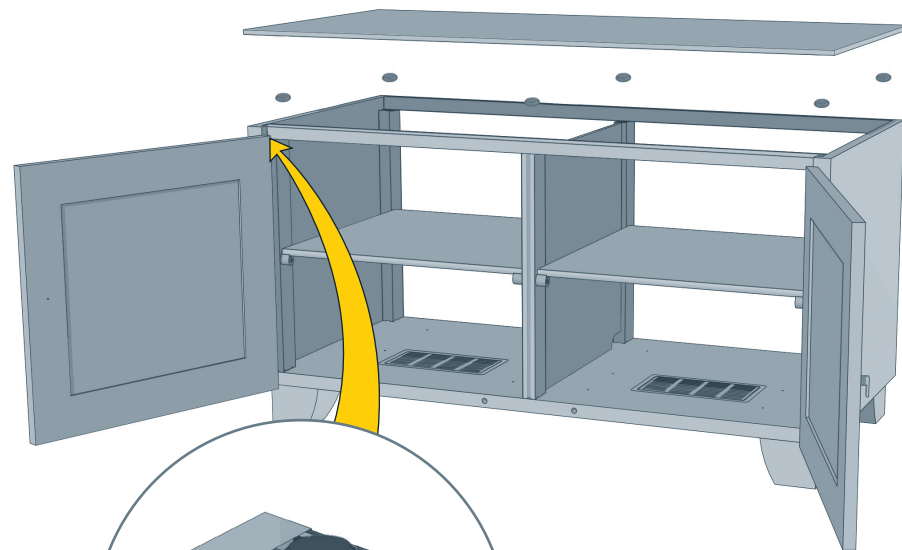
**A** Align wood top squarely to the cabinet frame with the holes closest to edge of top, positioned to the rear of cabinet.

**B** Fasten top to the frame using screws (303-520).



#### Glass Top

**A** Place Rubber Pads (303-380) on the frame covering bolts as shown.

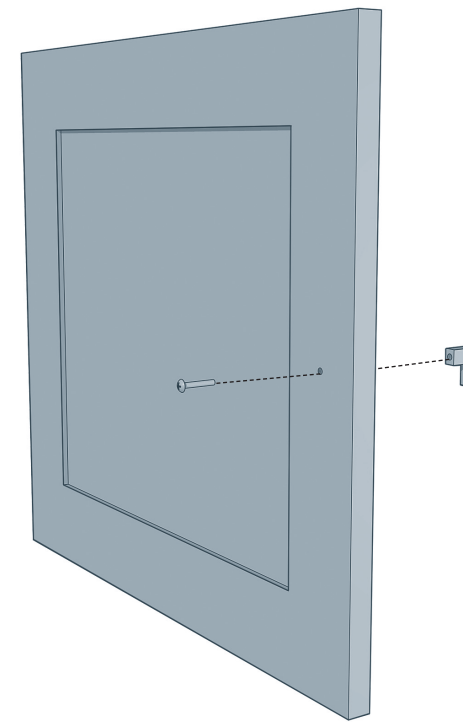


**B** Place the glass top squarely on the cabinet with the Salamander Logo positioned to the back/left corner.

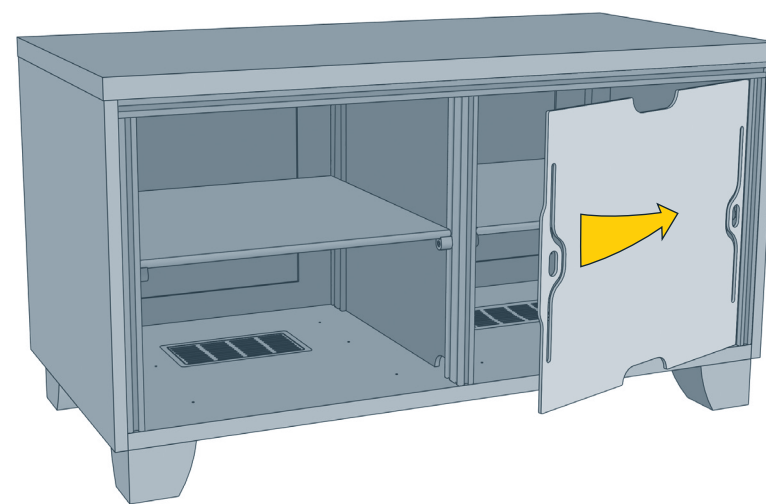
### 4 Install Door Pulls

(Applicable Models Only)

**A** Secure pulls with screws using a Phillips screwdriver.



### 5 Rear Panels



**A** Locate the rear post channels.

**B** Lead one end of the rear panel into a post channel.

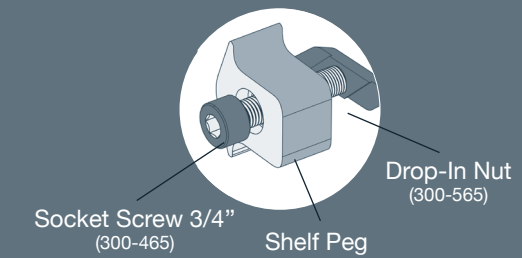
**C** Compress the rear panel firmly into the opposing post channel.

**TIP:** You may need to wiggle the rear panel to set it into place.

## Fine Tuning / Tips

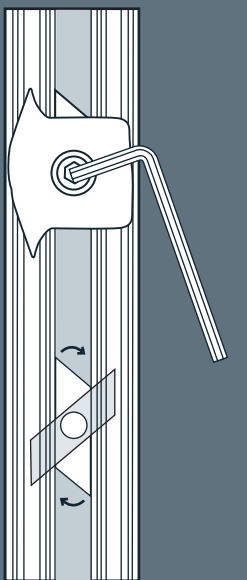
### Infinitely Adjustable Shelves

**A** Assemble loosely as shown.



**B** Insert into post channel and slide to desired height. Level shelf by adjusting shelf peg positions and tighten screw using hex key.

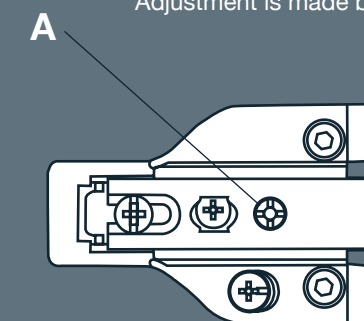
**Note:** Drop-in nut must make a 1/4 turn in post.



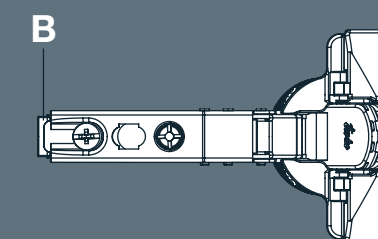
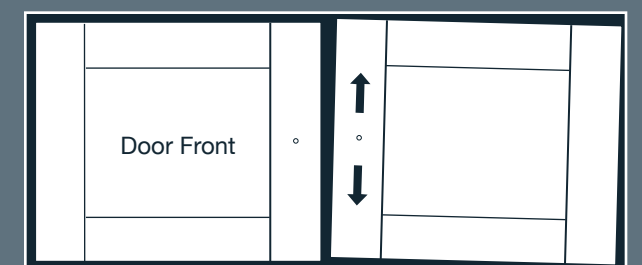
### Aligning Doors

Follow these instructions if you wish to adjust your doors.

**Main Adjustment (Side to Side and Up/Down)**  
Adjustment is made by turning screw (A) in and out.



Adjust the tops of the doors to be parallel to the top of the cabinet.



**Dismount Hinge from Hinge Plate**  
With one hand holding the door open, pull back on the hinge quick-release lever (B).