

SKSDW2422S

24-inch PowerSteam® Stainless Steel Dishwasher (2nd Generation)



Style and Design

Flush Installation	Yes
Touch-Activated Electronic Controls	Top Control
Cycle Track	Floor Time Display
Time Remaining Indicator	LCD Light Beam
Tub Material	Stainless Steel

Capacity

Total Place Settings	16
EasyRack™ Plus System	Yes
Height-Adjustable 3rd Rack	Premium
Height Adjustable Upper Rack	Yes
Height Adjustability	Easy One Touch (3 Level)
Maximum Height of Upper Rack	71" (180mm)
Maximum Height of Lower Rack	125" (320mm)
Cutlery Baskets	Yes
Cup Rack	Yes
Stemware Holder	Yes
Side Rack (Frying Pan)	Yes
Fold Down Tines (3rd Rack, Upper Rack, Lower Rack)	Yes
BPA-Free Nylon Coated Racks / Tines	Yes
Rack Handles (3rd Rack, Upper Rack, Lower Rack)	Yes
Rack Glides 3rd Rack Upper Rack Lower Rack	Gliding Rail Gliding Rail Premium Wheels

Technical Specs

ENERGY STAR® Certified	Yes
CEE Tier Level	1
Energy Use (kWh/Year)	220 kWh/Year
Water Use (Gallons/Cycle)	2.9
Required Power Supply	120 V, 60 Hz, 15 Amp
Inlet Water Temperature	120 °F min. - 149 °F max.
Water Pressure	20 - 80 psi

Dimensions and Weight

Overall Width (Inches)	23 3/4"
Overall Height (Inches)	33 5/8"
Overall Depth (Inches)	23 3/4"
Depth with Door Open	48 1/2"
Depth with Door Closed	23 3/4"
Depth with Door Closed Including Handle	26 1/4"
Net Weight (approx.)	96
Shipping Weight (approx.)	107

Optional Accessories

Brushed Aluminum Handle, Short - 22 3/4"	
Professional	SKSHK230HS
Transitional	SKSHK230HST

Warranty Summary*

Limited Warranty, Parts & Labor	3 Years
Limited Warranty on Control Board, Rack Parts, and Stainless Steel Door Liner or Tub, Parts Only	5 Years
Limited Warranty on Direct Drive Motor, Parts Only	10 Years

UPC

SKSDW2422S	195174149591
------------	--------------

*These warranties give you specific legal rights and you may have other rights that vary from state to state. For complete warranty details, refer to your Use & Care manual.

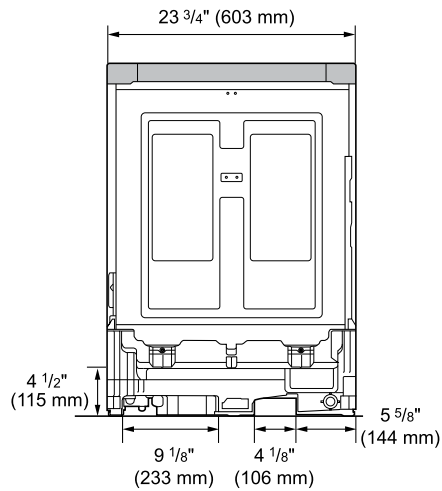
SKSDW2422S

24-inch PowerSteam® Stainless Steel Dishwasher (2nd Generation)

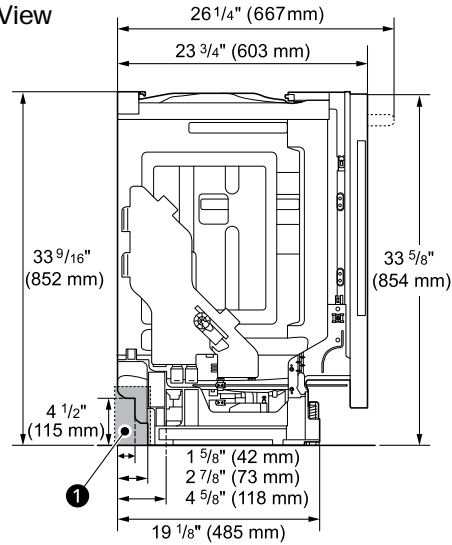


Overall Product Dimensions

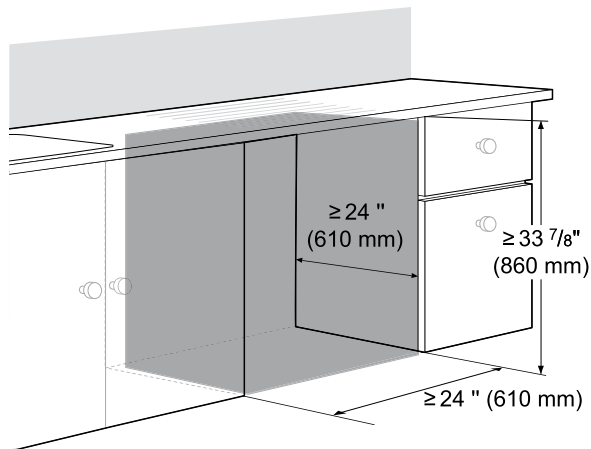
Back View



Side View



Installation Clearances



Notes

This dishwasher is designed to fit a standard dishwasher opening. An opening may be needed on both sides to route plumbing and electrical connections. See marked areas above for water and electrical clearances in base of dishwasher.

To ensure proper drainage, install the dishwasher no more than 12 ft. (3.65 m) from the sink.

Electrical connection should be in an accessible location adjacent to and not behind the dishwasher and within 4 ft. (1.2 m) of the dishwasher's side.