

MC12DB8700CK

SAMSUNG

1.2 cu. ft. Countertop Convection Microwave with Air Fry



Available Color



Black Glass
MC12DB8700CK

Features

- Power Convection
- Air Fry
- PowerGrill Duo™
- 30" Trim Kit Available
- Ceramic Enamel Interior
- Glass-Touch Controls
- 1.2 cu. ft. Capacity
- Grilling Element with Round Rack & Platter
- LED Display
- Drop-Down Door Design
- Cooking Presets
- Eco Mode

Convenience

- Child Safety Lock
- Clock (12 hr/24 hr)
- Reminder End Signal
- Sound On/Off
- Wi-Fi Connectivity

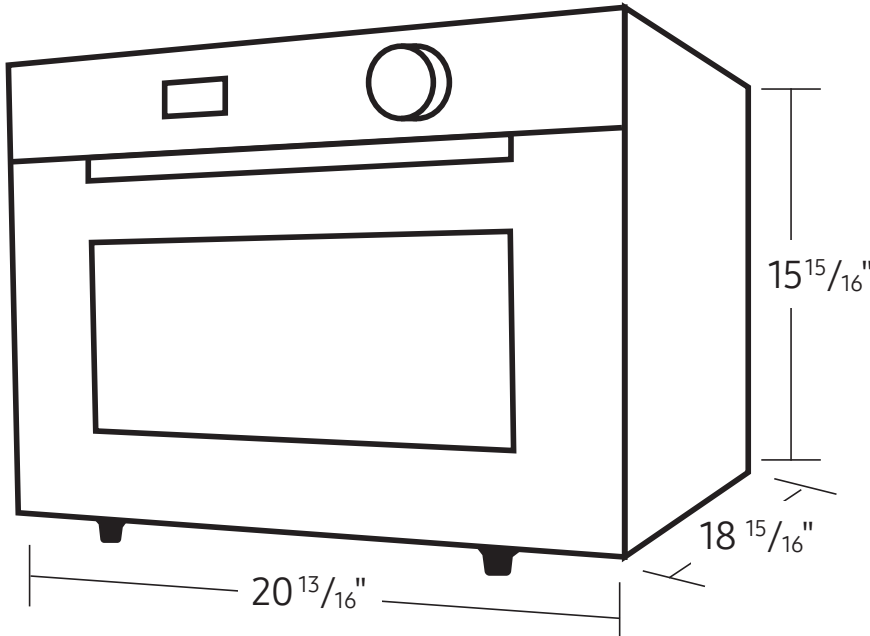
Additional Specifications

- Oven Cavity: 1.2 cu. ft.
- Power Output:
 - Microwave: 900W
 - PowerDuo Grill™: 1600W
 - Power Convection: 1650W
- Power Source: 120V/60HZ
- Power Consumption: 1600W
- Control Method: Glass-Touch
- Display: LED
- Cooking Control: 10 Power Levels
- Microwave Distribution System: Turntable

MC12DB8700CK

SAMSUNG

1.2 cu. ft. Countertop Convection Microwave with Air Fry



Warranty

One (1) Year Parts and Labor
Ten (10) Years Parts Warranty for Magnetron

Dimensions

Product Dimensions & Weight (WxHxD)

Cavity Dimensions:

15³/₄" x 8⁵/₈" x 15⁵/₈"

Outside Net Dimensions:

20¹³/₁₆" x 15¹⁵/₁₆" x 18¹⁵/₁₆"

Weight: 62.8 lb

Shipping Dimensions & Weight (WxHxD)

Dimensions: 27⁷/₁₆" x 18³/₈" x 21³/₄"

Weight: 71.6 lb

Microwave Color	Model #	UPC Code
Black Glass	MC12DB8700CK	887276868851



Shown with Stainless Steel Trim Kit

30" Trim Kit

Trim Kit Dimensions & Weight (WxHxD)

Dimensions: 29¹³/₁₆" x 20¹/₈" x 1¹/₄"

Weight: 4.2 lbs

Trim Kit Color	Model #	UPC Code
Stainless Steel	MA-TK3080CT	887276083582