



Scan to see the online manual.



OWNER'S MANUAL

DISHWASHER

Read this owner's manual thoroughly before operating the appliance and keep it handy for reference at all times. This abridged owner's manual addresses user safety, precautions, and installation information.

To view the complete owner's manual, you may:

1. Online manual: Visit the LG website at: <http://gscs-manual.lge.com/Total/HQ/GatewayPage/main.html> or scan the QR code above; or
2. Printable PDF manual: Visit lg.com and search for your model number; or
3. Call or write to customer service as provided in your Limited Warranty.

ENGLISH

SDWD24P3



MFL71467503
Rev.00_122222

www.lg.com

Copyright © 2022 LG Electronics Inc. All Rights Reserved.

2

TABLE OF CONTENTS

3 IMPORTANT SAFETY INSTRUCTIONS 45 USA 49 CANADA

- 3 READ ALL INSTRUCTIONS BEFORE USE
- 3 WARNING STATEMENTS
- 6 CAUTION STATEMENTS

8 PRODUCT OVERVIEW

- 8 Product Features

10 INSTALLATION

- 10 Before Installing
- 11 Preparing Cabinet Opening
- 12 Preparing Dishwasher
- 14 Preparing Water and Electrical Connections
- 15 Sliding Dishwasher into Cabinet Opening
- 17 Connecting Water Supply Line and Power
- 17 Connecting the Drain Hose
- 19 Leveling Dishwasher
- 20 Securing Cabinet Panel to Dishwasher
- 22 Securing Dishwasher in Cabinet Opening
- 24 Final Installation Check

25 OPERATION

- 25 Before Using
- 28 Control Panel
- 29 Wash Cycles
- 30 Options and Extra Functions
- 31 Loading the Dishwasher
- 31 Loading the Silverware Basket
- 32 Loading the Lower Rack
- 32 Loading the Upper Rack
- 33 Loading the Cutlery Rack
- 34 Adding Cleaning Products

35 SMART FUNCTIONS

- 35 LG ThinQ Application

38 MAINTENANCE

- 38 Cleaning and Care

42 TROUBLESHOOTING

- 42 Before Calling for Service

45 LIMITED WARRANTY

IMPORTANT SAFETY INSTRUCTIONS

READ ALL INSTRUCTIONS BEFORE USE

Safety Messages

Your safety and the safety of others are very important.

We have provided many important safety messages in this manual and on your appliance. Always read and follow all safety messages.



This is the safety alert symbol.

This symbol alerts you to potential hazards that can kill or injure you and others. All safety messages will follow the safety alert symbol and either the word **WARNING** or **CAUTION**.

These words mean:



WARNING

You may be killed or seriously injured if you do not follow instructions.



CAUTION

You may be injured or cause damage to the product if you do not follow instructions.

All safety messages will tell you what the potential hazard is, tell you how to reduce the chance of injury, and tell you what may happen if the instructions are not followed.

WARNING STATEMENTS

WARNING

- To reduce the risk of explosion, fire, death, electric shock, scalding or injury to persons when using this product, follow basic precautions, including the following:

Installation

- Connect to a properly rated, protected, and sized power circuit to avoid electrical overload.
- To reduce the risk of severe injury or death, follow all installation instructions.
- The appliance must be installed and electrically grounded by qualified service personnel in accordance with local codes.
- Disconnect the power supply line, house fuse or circuit breaker before installing or servicing the appliance.
- When moving or installing the product in a different location, call qualified service personnel for installation and service.
- Keep packing materials out of the reach of children. Packaging material can be dangerous for children. There is a risk of suffocation.
- Moving or installation of the appliance requires two or more people.
- This appliance is not designed for maritime use or for mobile installations such as in RVs, trailers, or aircraft.
- Store and install the appliance where it will not be exposed to temperatures below freezing or exposed to outdoor weather conditions.
- This appliance must be positioned near to an electrical power supply.
- Do not, under any circumstances, cut or remove the ground from the power supply line.

4 IMPORTANT SAFETY INSTRUCTIONS

- When installing or moving the appliance, be careful not to pinch, crush, or damage the power supply line.
- Do not install the appliance in humid spaces.
- Destroy the carton, plastic bag, and other packing materials after the appliance is unpacked. Children might use them for play. Cartons covered with rugs, bedspreads, or plastic sheets can become airtight chambers.
- Never attempt to operate this appliance if it is damaged, malfunctioning, partially disassembled, or has missing or broken parts, including a damaged power supply line.
- Adhere to all industry recommended safety procedures including the use of long-sleeved gloves and safety glasses.
- The installer must ensure that the dishwasher is completely enclosed at the time of installation.
- Use new hoses when connecting the appliance to the water supply. Do not reuse old hoses.
- After installing, check the hose connection for leaks.
- Do not damage or place heavy items on the power supply line of the appliance.

Operation

- Repair or immediately replace all power supply lines that have become frayed or otherwise damaged. Do not use a power supply line that shows cracks or abrasion damage along its length or at either end.
- If you detect a strange sound, a chemical or burning smell, or smoke coming from the appliance, unplug it immediately, and contact an LG Electronics customer information center.
- Never unplug the appliance by pulling on the power supply line.
- Do not use an extension cable or adapter with this appliance.
- Do not grasp the power supply line or touch the appliance controls with wet hands.
- Do not modify or extend the power cable.
- If the product has been submerged, contact an LG Electronics customer information center for instructions before resuming use.
- Do not store or use gasoline or other flammable vapors and liquids in the vicinity of this or any other appliance.
- Keep the area underneath and around your appliances free of combustible materials (lint, paper, rags, etc.), gasoline, chemicals and other flammable vapors and liquids.
- This appliance is not intended for use by persons (including children) with reduced physical, sensory or mental capabilities, or lack of experience and knowledge, unless they have been given supervision or instruction concerning the use of the appliance by a person responsible for their safety.
- If the electrical supply line is damaged, it must only be replaced by the manufacturer or its service agent or a similar qualified person in order to avoid a hazard.
- Do not abuse, sit on, or stand on the door of the appliance.
- Read all instructions before using the appliance and save these instructions.
- Use this appliance only for its intended purpose.
- Do not allow children to play on, in or with the appliance. Close supervision of children is necessary when the appliance is used near children.
- Do not tamper with controls.
- In the event of a gas leak (propane gas, LP gas, etc.) do not operate this or any other appliance. Open a window or door to ventilate the area immediately.
- Under certain conditions, hydrogen gas may be produced in a hot-water system that has not been used for two weeks or more. **HYDROGEN GAS IS EXPLOSIVE.** If the hot-water system has not been used for such a period, before using the appliance turn on all hot water faucets and let the water flow from each for several minutes. This will release any accumulated hydrogen gas. As the gas is flammable, do not smoke or use an open flame during this time.

- Fix the drain hose securely in place.
- Use only detergents or wetting agents recommended for use in a dishwasher and keep them out of the reach of children.
- Do not let children eat detergent or dishwasher rinse agent.
- When loading items to be washed:
 - Locate sharp items so that they are not likely to damage the door seal.
 - Load sharp knives with the handles up to reduce the risk of cuts or other injuries.
- Do not wash plastic items unless they are marked "dishwasher safe" or the equivalent. For plastic items not so marked, check the manufacturer's recommendations.
- Do not touch the HEATING ELEMENT during or immediately after use.
- Do not operate your dishwasher unless all ENCLOSURE panels are properly in place.
- Do not abuse, sit on, or stand on the door or dish rack of the dishwasher.
- Do not install or store the dishwasher where it will be exposed to weather conditions.
- After cleaning the dishes, turn off the water supply. Before cleaning, turn the water supply back on and check the connections.
- Do not open the appliance door while it is operating. For safety reasons, the drain pump operates if the door is opened, resulting in a longer cycle time.
- Be careful not to catch your hand when closing the door of the product.
- Do not plug the dishwasher into a damaged outlet.
- Do not install or keep the dishwasher near electrical components or exposed flames.
- Do not wash dishes exposed to gasoline, solvents or other flammable materials.
- When cleaning, do not spray water on the product directly.
- Do not press buttons with a sharp object such as an awl or pin.
- Do not use solvent-based detergent.
- Do not come into contact with the steam outlet.
- Small parts, such as rack clips and filter retaining posts can be a choke hazard to small children if removed from the dishwasher. Keep out of reach of small children.

Maintenance

- Do not repair or replace any part of the appliance. All repairs and servicing must be performed by qualified service personnel unless specifically recommended in this Owner's Manual. Use only authorized factory parts.
- Do not disassemble or repair the appliance by yourself.
- Remove any dust or foreign matter from the power supply line.
- Disconnect this appliance from the power supply before cleaning and attempting any user maintenance. Turning the controls to the OFF position does not disconnect this appliance from the power supply.
- Remove the door before the appliance is removed from service or discarded to avoid the danger of children or small animals getting trapped inside.
- Unplug the appliance before cleaning to avoid the risk of electric shock.
- Before discarding the appliance, cut off the power supply line and destroy the appliance's control panel.

Grounding Instructions

- This appliance must be grounded. In the event of a malfunction or breakdown, grounding will reduce the risk of electric shock by providing a path of least resistance for electric current.
- This appliance is equipped with a cord having an equipment-grounding conductor and a grounding plug.

6 IMPORTANT SAFETY INSTRUCTIONS

- The plug must be plugged into an appropriate outlet that is installed and grounded in accordance with all local codes and ordinances.

WARNING

Improper connection of the equipment-grounding conductor can result in a risk of electric shock. Check with a qualified electrician or service representative if you are in doubt whether the appliance is properly grounded. Do not modify the plug provided with the appliance, if it will not fit the outlet, have a proper outlet installed by a qualified electrician.

Tip Over Hazard

- Do not use the dishwasher until completely installed.
- Do not push down on the open dishwasher door.
- Failure to follow these instructions may result in serious injury or cuts.

CAUTION STATEMENTS

⚠ CAUTION

- To reduce the risk of minor or moderate injury to persons, malfunction, or damage to the product or property when using this product, follow basic precautions, including the following:

Installation

- Install the product on a firm and level floor.
- This dishwasher must be connected to a hot water supply with a temperature range between 120 °F (49 °C) and 149 °F (65 °C). This temperature range provides the best washing results and shortest cycle time. The temperature should not exceed 149°F (65 °C) to prevent damage to dishes.
- Do not put the drain hose under the dishwasher during installation.
- Use caution when opening or closing the appliance door before installing the custom panel. The door may open or close abruptly.

Operation

- Do not place objects on top of the appliance.
- Turn off the water faucets and unplug the appliance if the appliance is to be left for an extended period of time, such as during vacations.
- Do not store or spill liquid detergents, cleaners, or bleaches (chlorine bleach, oxygen bleach) on the appliance. Doing so may result in corrosion, discoloration or damage to the surface of the appliance.
- Do not touch draining water which may be hot.
- If the drain hose and the water supply hose are frozen in winter, defrost before using the appliance.
- Do not put hands, feet, or metal objects below or behind the appliance.
- Do not put the drain hose under the dishwasher during installation.

Maintenance

- If cooking oil is spilled on the exterior of the product, wipe it off immediately. Do not clean the exterior of the product with cleaners which contain alcohol, thinners, bleach, benzene, flammable liquids, or abrasives. These substances may discolor or damage the appliance.

IMPORTANT SAFETY INSTRUCTIONS 7

ENGLISH

SAVE THESE INSTRUCTIONS

8 PRODUCT OVERVIEW

PRODUCT OVERVIEW

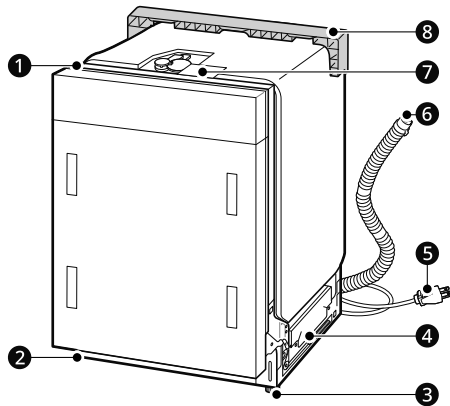
Product Features

The images in this guide may be different from the actual components and accessories, which are subject to change by the manufacturer without prior notice for product improvement purposes.

NOTE

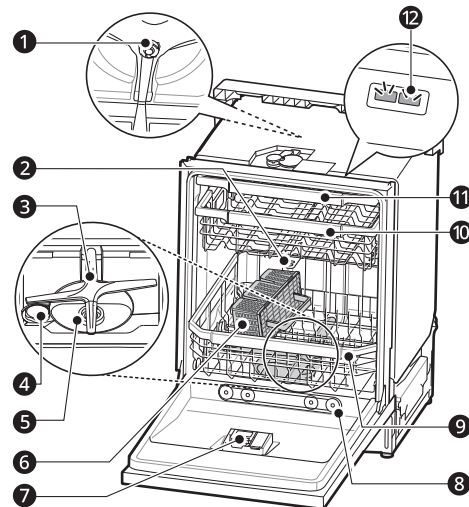
- For your safety and for extended product life, use only authorized components. The manufacturer is not responsible for product malfunction or accidents caused by the use of separately purchased unauthorized components or parts.
- Do not remove the safety cover at any time.
- To ensure reliability, each LG dishwasher goes through thorough quality control before it leaves the factory.
- You may find water droplets or water spots from this process inside your new dishwasher.

Front View



- ❶ Control Panel
- ❷ Lower Cover
- ❸ Leveling Feet
- ❹ Base
- ❺ Power Cord
- ❻ Drain Hose
- ❼ Safety Cover
- ❽ Shipping Brace

Interior View

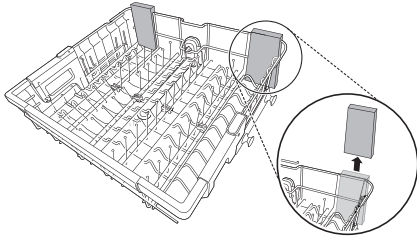


- ❶ Top Wash Impeller
- ❷ Upper Spray Arm
- ❸ Lower Spray Arm
- ❹ Dishwasher Salt Cover
- ❺ Filtration System
- ❻ Silverware Basket
- ❼ Detergent and Rinse Aid Dispenser
- ❽ Steam Nozzle
- ❹ Lower Rack
- ❺ Upper Rack
- ❻ Cutlery Rack

12 Tub Light

NOTE

- The silverware basket ships installed at the back of the bottom rack. For best performance, install it along the right side.
- Remove all packing materials from the exterior and interior of the dishwasher before installing the appliance.

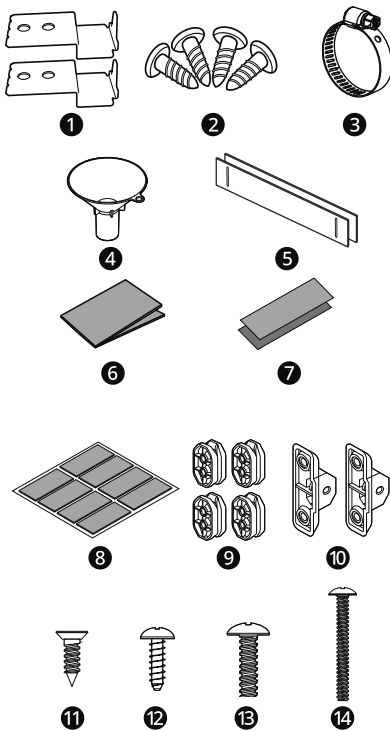


- 6 Moisture Barrier Tape (Aluminum Tape)
- 7 Moisture Barrier Tape (Side Aluminum Tape)
- 8 Fleece Tape
- 9 Panel Bracket (4 ea, Upper & Middle)
- 10 Panel Bracket (2 ea, Lower)
- 11 Bracket Screw (12 ea, Φ4 mm x 14 mm)
- 12 Lower Cover Screw (2 ea, Φ4 mm x 14 mm)
- 13 Wood Screw (2 ea, Φ4 mm x 14 mm)
- 14 Door Adjustment Screw (2 ea, Φ4 mm x 34 mm)

Product Specifications

The appearance and specifications listed in this manual may vary due to constant product improvements.

Accessories



- 1 Installation Brackets (2 ea)
- 2 Wood Screws (4 ea, Φ4.5 mm x 12 mm)
- 3 Hose Clamp
- 4 Funnel
- 5 Lower Cover

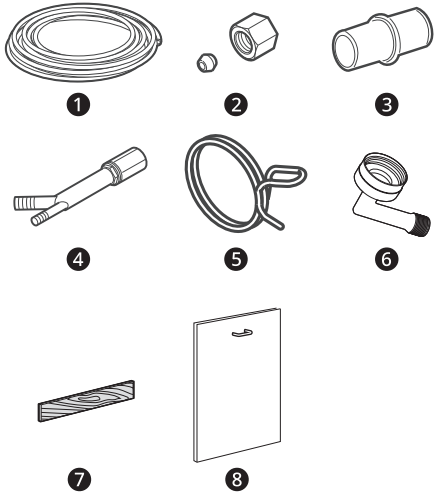
Model	SDWD24P3
Electrical Requirements	120 V, 60 Hz AC only, 15 A circuit breaker
Water Pressure	20 psi - 80 psi (140 kPa - 550 kPa)
Dimensions (Width X Height X Depth)	23 1/2" X 32 1/16" X 21 7/8" (598 mm X 815 mm X 554 mm)
Inlet Water Temperature	120 °F - 149 °F (49 °C - 65 °C)
Net Weight	88 lb (40 kg)

10 INSTALLATION

INSTALLATION

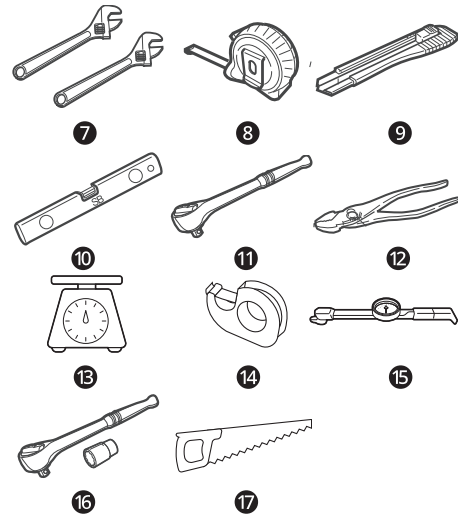
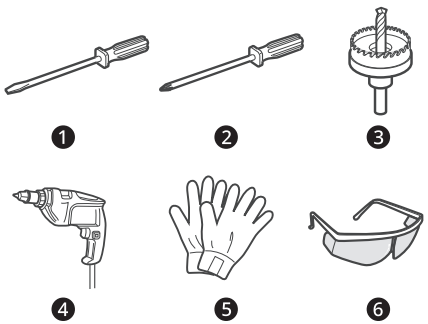
Before Installing

Parts not Provided



- ❶ Water Supply Tube
 - Minimum 3/8" O.D. copper tubing or stainless steel braided water supply line
- ❷ Fittings for Tube
- ❸ Coupler
- ❹ Air Gap
- ❺ Hose Clamp
- ❻ 3/4" Elbow
- ❼ Baseboard (Wood)
- ❽ Wood Panel & Handle

Tools Needed



- ❶ Flat-Blade Screwdriver
- ❷ Phillips Screwdriver
- ❸ Hole Saw min. 2 1/2" bit
- ❹ Electric Drill
- ❺ Gloves
- ❻ Safety Glasses
- ❼ Adjustable Wrench (2 ea)
- ❽ Tape Measure
- ❹ Utility Knife
- ❿ Level
- ⓫ 1/4" Square Drive Wrench
- ⓬ Pliers
- ⓭ Scale
- ⓮ Tape
- ⓯ Torque wrench
- ⓰ 3/8" Square Drive Wrench + 1/2" Socket
- ⓱ Saw

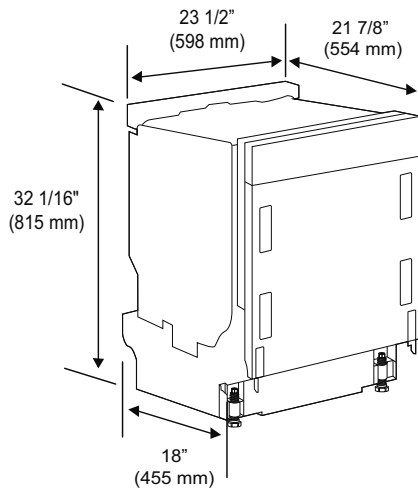
Installation Overview

Please read the following installation instructions first after purchasing this dishwasher or transporting it to another location.

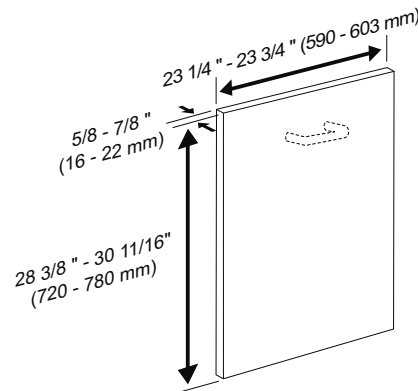
- 1 Preparing Cabinet Opening
- 2 Preparing Dishwasher
- 3 Preparing Water and Electrical Connections
- 4 Sliding Dishwasher into Cabinet Opening
- 5 Connecting Water Supply Line and Power
- 6 Connecting the Drain Hose
- 7 Leveling Dishwasher
- 8 Securing Cabinet Panel to Dishwasher
- 9 Securing Dishwasher in Cabinet Opening
- 10 Final Installation Check

Product Dimensions

Product



Cabinet Panel

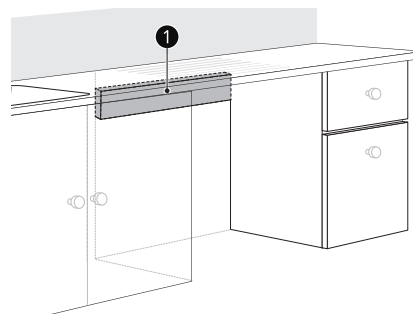


5.5 lb (2.5 kg) ≤  ≤ 24.2 lb (11 kg)

Preparing Cabinet Opening

This dishwasher is designed to fit a standard dishwasher opening. An opening may be needed on both sides to route plumbing and electrical connections.

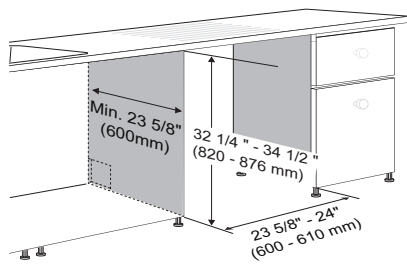
- To ensure proper drainage, install the dishwasher no more than 12 ft. (3.65 m) from the sink.
- The location must have sufficient space for the dishwasher door to open easily and provide at least 0.1" (2 mm) between the dishwasher and the cabinet sides.
- If installing the dishwasher in a corner, leave a minimum of 2" (50 mm) between the dishwasher and the adjacent wall.
- The adjacent wall must be free of obstructions.
- For flush installations only, you may remove the cabinet brace 1 inside the cabinet.



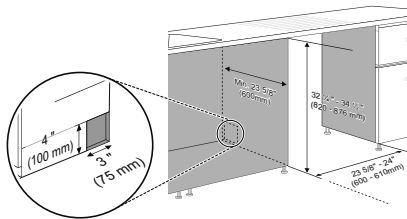
Choosing the Proper Location

- 1 Select a location as close to the sink as possible for easy connections to water supply line, drain hose and electrical connection.

12 INSTALLATION

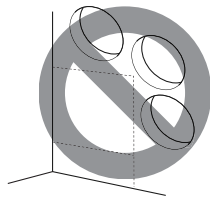


- 2** To allow for proper clearance of plumbing and electrical, use the template included with the literature to determine the clearance on the side of the cabinet where the cabinet meets the back wall. Using a 2 1/2" diameter hole saw, drill a hole in the target area as shown on the template.



⚠ WARNING

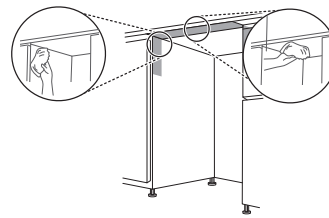
- Installation damage is not covered by the warranty, and leaks caused by improper installation may result in property damage.
- Do not use existing holes unless they are in the target area.
- Failure to properly locate the hole for the water and drain lines may prevent the dishwasher from installing flush with the cabinets and could result in kinked, pinched, crushed, stressed or damaged lines.



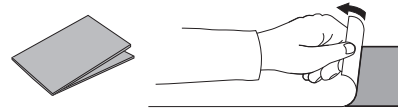
Installing Moisture Barrier Tape

Install the moisture barrier tape to the underside of the countertop to protect the surface from condensation when the appliance is opened.

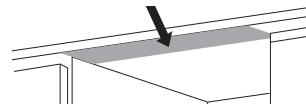
- 1** Clean and dry the area on the underside of the countertop and the sides of the cabinet opening where the tape will be applied.



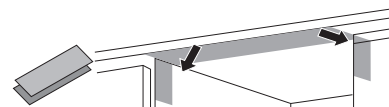
- 2** Remove the protective film from the tape.



- 3** Install the tape on the underside of the countertop.



- 4** Install the shorter pieces of tape on the sides of the cabinet opening at the top.



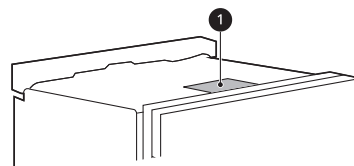
NOTE

- Moisture barrier tape is included in the manual assembly bag.
- If the countertop is made of granite or waterproof materials, the moisture barrier tape is not required.
- Condensation may occur on the underside or along the front edge of the countertop when the room temperature is low.

Preparing Dishwasher

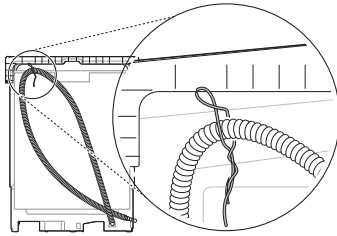
⚠ WARNING

- Do not remove safety cover **1**. Removal can result in fire, electric shock or death.



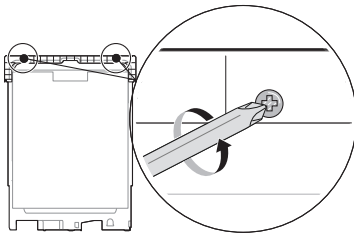
Releasing Drain Hose

Remove the twist tie holding the drain hose to the back of the shipping brace.



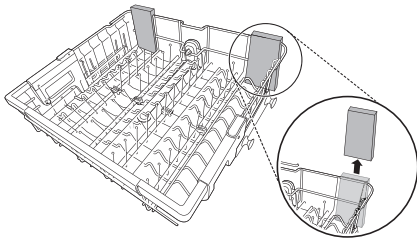
Removable Shipping Brace

The rear shipping brace can be removed if additional clearance is needed when installing the dishwasher under a low countertop.



Removing Packing Materials from the Interior

Remove all packing materials from the interior of the dishwasher before installing the appliance.



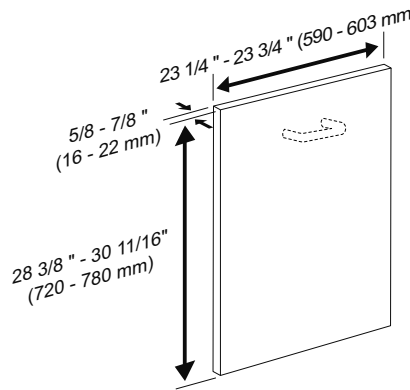
CAUTION

- Take care when opening or closing the appliance door before the custom door panel is installed. The door may open or close abruptly without the weight of the panel.

Checking the Cabinet Panel

This dishwasher is designed to work with a cabinet front panel (not provided) which slides up as the door is opened. Before installing the dishwasher, check the weight and dimensions of the cabinet front panel you have selected.

- The dishwasher can support panels weighing 5.5 – 24.2 lb (2.5 – 11 kg).
- If the cabinet panel weighs between 17.6 lb (8 kg) and 24.2 lb (11 kg), adjust the door spring tension to make the door easier to open. See the **Adjusting Door Spring Tension** topic.



$$5.5 \text{ lb (2.5 kg)} \leq \text{Weight} \leq 24.2 \text{ lb (11 kg)}$$

- For best results, the width of the wood panel should be 1/4" (6 mm) less than the width of the cabinet.

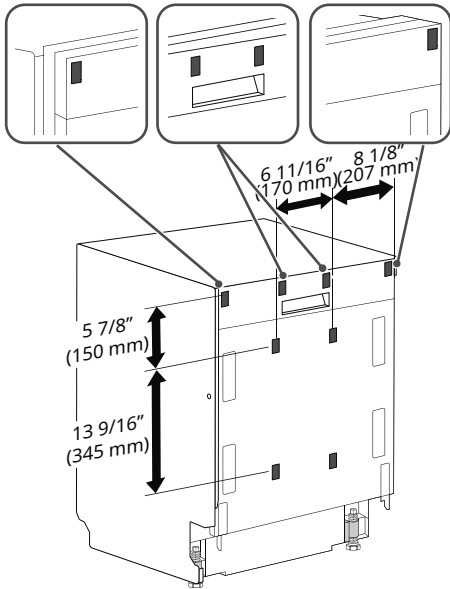
Installing Fleece Tape

Attaching fleece tape between the dishwasher door and the cabinet panel will reduce the friction when the door slides up and down.

- 1 Install the fleece tape close to the bracket openings to make sure the door slides smoothly.

14 INSTALLATION

- 2 Peel the fleece tape strips off the carrier and attach them to the door.



Attaching Installation Brackets

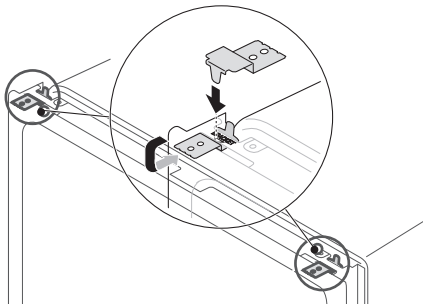
For countertops made of wood or other materials that will not be damaged by drilling, use the metal installation brackets provided.

For countertops made of granite, marble, or other materials that could be damaged by drilling, use the wood screws to attach the dishwasher to the cabinet. See installation instructions in **Securing Dishwasher to Cabinet Opening**.

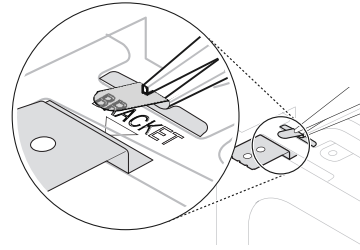
NOTE

- Installation brackets and screws can be found in the silverware basket.

- 1 Insert the tabbed end of the installation brackets into the slots in the upper frame. Rotate the brackets until the tabbed ends are facing up.



- 2 Bend the tabs on the brackets to secure them to the frame using a pair of needle nose pliers.



Preparing Water and Electrical Connections

⚠ WARNING

- Water Connection
 - Do not reuse an old hose. Use only a new hose when installing the dishwasher. The old hose could leak or burst causing flooding and property damage. Contact an LG Customer Information Center for assistance in buying a new hose.
- Electrical Connection
 - Use a time-delay fuse or circuit breaker.
 - Operate this appliance with the correct voltage as shown in this manual and on the rating plate.
 - The wiring must be grounded properly. If in doubt, have it checked by a qualified electrician.
 - The appliance and outlet must be positioned so that the plug is easily accessible.
 - Do not use an extension cable or adapter with this dishwasher.
 - Do not overload the outlet with more than one appliance.
 - It is the personal responsibility and obligation of the product owner to have a proper outlet installed by a qualified electrician.

⚠ CAUTION

- When connecting the dishwasher water supply line to the house water supply, sealing tape or compound should be used on pipe threads to avoid leaks. Tape or compound should not be used on compression fittings.

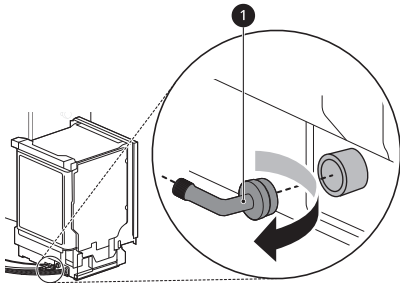
⚠ CAUTION

- Connect the dishwasher to a hot water supply with a temperature range between 120 °F (49 °C) and 149 °F (65 °C). This temperature range provides the best washing results and shortest cycle time. To prevent damage to dishes, the temperature should not exceed 149 °F (65 °C).
- Water supply pressure must be between 20 psi and 80 psi (140–550 kPa). If the water supply pressure exceeds 80 psi, a pressure reducing valve must be installed. Otherwise premature failure of the inlet valve may occur.

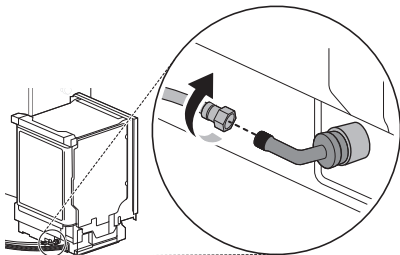
Connecting Water Supply Line and Power

Water supply tube: Minimum 3/8" O.D. copper tubing or metal braided dishwasher supply line

- 1** Connect the elbow **1** to the inlet valve on the back of the dishwasher.

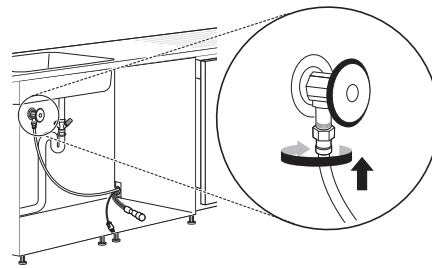


- 2** Connect the water supply tube to the elbow.



- 3** Tighten both connections using two adjustable wrenches to avoid putting stress on the water inlet valve.

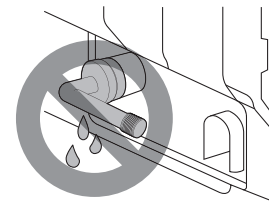
- 4** Make sure the water supply is turned off. Connect the water supply tube to the tap.



- 5** Insert the power plug into an outlet.

- 6** Turn on the water and check for leaks at the connections.

- If there is a leak, reconnect the elbow.
- Do not cross thread or overtighten the connections to avoid leakage.



- 7** Unplug the power cord.

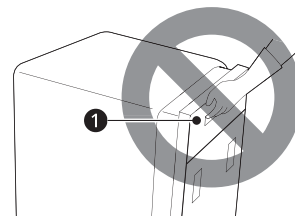
- 8** Turn off the water supply and disconnect the water supply tube at the tap.

Sliding Dishwasher into Cabinet Opening

How to Slide Dishwasher

⚠ CAUTION

- Do not pull or lift the dishwasher using the door **1**. Doing so can damage the door and hinges.

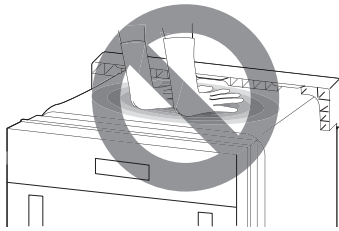


16 INSTALLATION

- Do not push the door of the dishwasher with knees when sliding the dishwasher into position. Doing so can damage the front cover.

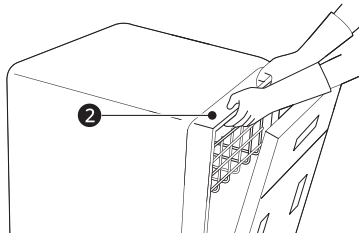


- Do not push the top of the dishwasher. Doing so can damage the interior of the dishwasher.

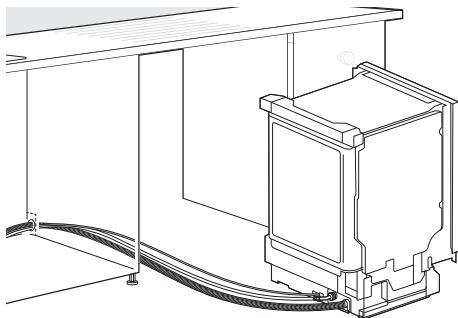


NOTE

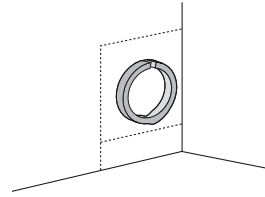
- Open the door and grab the body frame and the top front opening ② of the tub to move or lift the dishwasher.



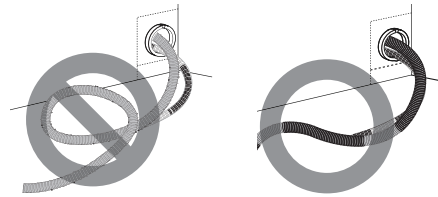
- 1 Align the dishwasher with the opening. Make sure the water supply line and power cord extend smoothly without kinks or bends.



- 2 Smooth out or pad the edges of the hole drilled for the water supply to avoid damaging the drain hose.

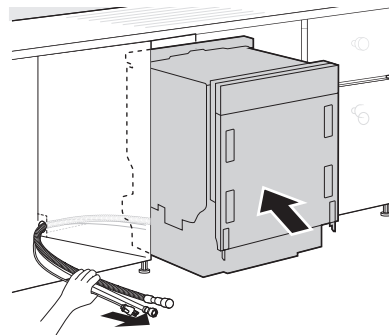


- 3 Make sure the drain hose is straight before feeding the end of it through the hole for the water supply. As you slide the dishwasher into the opening, slowly pull on the drain hose from inside the cabinet to take up some slack. Be careful not to kink, pinch, crush or stress the drain hose during installation to avoid leaking and water damage.



- 4 Gradually slide the dishwasher into the opening, making sure that the water supply line and power cord are passing freely through the opening and do not get caught under the dishwasher.

- As you slide the dishwasher into the opening, stop periodically (or have an assistant help) to take up the slack by pulling the drain hose farther into the cabinet.



CAUTION

- To avoid malfunctions or leakage, it is important that the drain hose not get kinked, pinched, stressed or crushed behind or under the dishwasher or inside the neighboring cabinet.

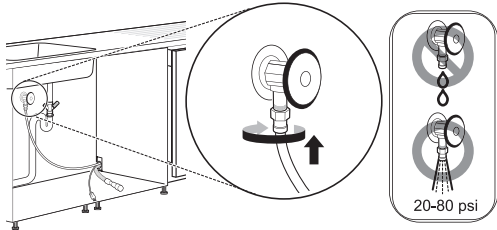
CAUTION

- Damage resulting from improper installation is not covered under the warranty.

Connecting Water Supply Line and Power

Connecting Water Supply Line

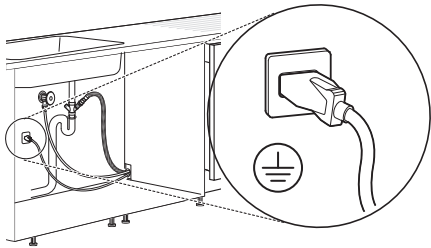
- 1 With the home water supply turned off, connect the water supply tube to the tap.
- 2 Tighten the connection using a square drive wrench to avoid putting stress on the water tap.



Connecting Power

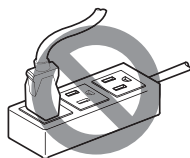
Insert the power plug into a grounded outlet.

- The power cord should not be positioned behind the appliance but within 47.2 inches of the side so that the plug is easily accessible.



WARNING

- Do not use an extension cord or 2-prong adapter.



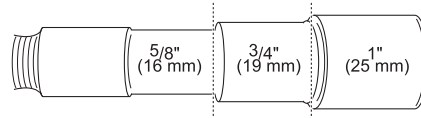
- The plug must be plugged into an appropriate outlet that is properly installed and grounded in accordance with all local codes and ordinances.

- Connect to a properly rated, protected, and sized power circuit to avoid electrical overload.

Connecting the Drain Hose

If the end of the drain hose does not fit the drain line, use a heat and detergent resistant adapter (not supplied). These may be obtained from a local plumbing supply store.

- Cut the adapter so the end matches the size of the drain connection.

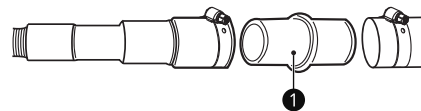


NOTE

- For drain hose installation, use the screw style hose clamp provided with this dishwasher in the silverware basket.
- If connecting the dishwasher's drain hose to the garbage disposal, be sure to follow your garbage disposal's manual for proper installation instructions.

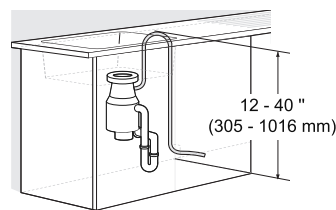
Drain Hose Requirements

- Follow local codes and ordinances.
- Do not exceed 12 ft. (3.65 m) distance to drain.
- Do not connect drain hoses from other appliances to the dishwasher's drain hose.
- If an extension drain hose is required, use a 5/8" or 7/8" inside diameter, 2-3 ft. length hose and a coupler ❶ for connecting the two hose ends.



Height of the Drain Hose

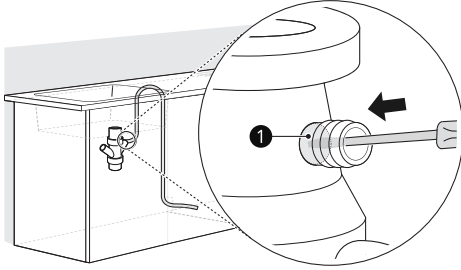
The height of the drain hose end must be at least 12" (305 mm) and within 40" (1016 mm) from the base of the dishwasher to avoid water being siphoned from the tub.



18 INSTALLATION

Connecting to Disposal without Air Gap

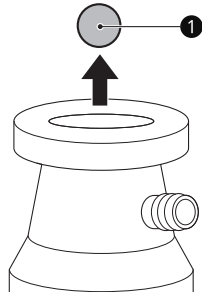
- 1 Remove the knockout plug on the disposal with a hammer and screwdriver.



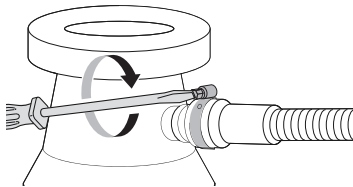
- 2 Remove the knockout plug ❶ from the disposal.

⚠ CAUTION

- If the knockout plug has not been removed, the dishwasher will not be able to drain properly.



- 3 Attach the drain hose to the disposal with the hose clamp provided. Move the hose clamp into position and tighten it with a flat-blade screwdriver.



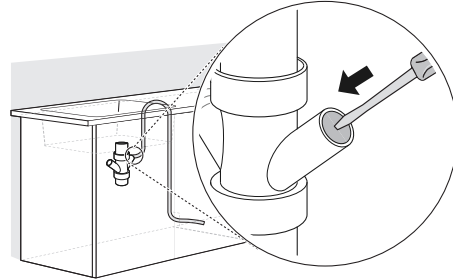
Connecting Waste Tee without Air Gap

The height of the drain hose end must be at least 12" (305 mm) and within 40" (1016 mm) from the base of the dishwasher to avoid water being siphoned from the tub.

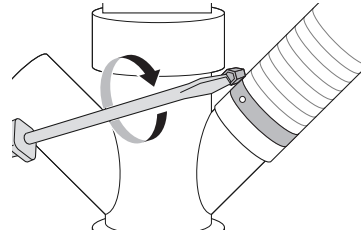
- 1 Remove the knockout plug with a hammer and screwdriver.

⚠ CAUTION

- If the knockout plug has not been removed, the dishwasher will not be able to drain properly.



- 2 Attach the drain hose to the waste tee with the hose clamp provided. Move the clamp into position and tighten it with a flat-blade screwdriver.

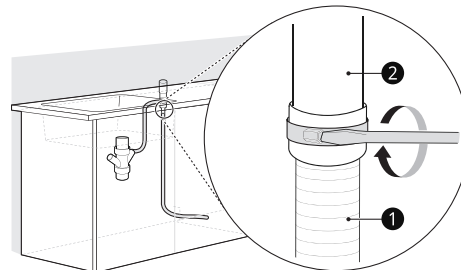


Connecting to Disposal or Waste Tee with Air Gap

- 1 Remove the knockout plug with a hammer and screwdriver.

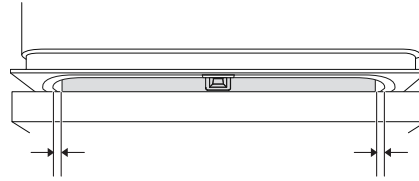
- 2 Connect the end of the drain hose ❶ to the air gap ❷ with the hose clamp provided. Move the clamp into position and tighten it with a flat-blade screwdriver.

- This avoids water being siphoned from the tub.



- 3** If it is not connected, attach the rubber hose connector to the disposal or waste tee with a hose clamp (not provided).

Make sure that the gap between the tub walls and the door liner is the same on either side.



Leveling Dishwasher

Check that the dishwasher is level and adjust the leveling feet if necessary.

CAUTION

- Failure to level the dishwasher may result in leakage, problems closing the door, or noise.
- Where the cabinet opening is narrower than recommended (see **Preparing Cabinet Opening**), the dishwasher must be carefully leveled and aligned so that the dishwasher is supported fully by the 3 leveling feet and is not hanging from the installation brackets. Failure to do so can result in leaks from the front of the dishwasher, RE errors, difficulty in closing the door, or failure to operate.

Adjusting Leveling Feet

Adjust as needed until the dishwasher is completely leveled.

- Adjust the front and rear leveling feet until they are all in firm contact with the floor. Failure to level the dishwasher may prevent the door from closing properly and the dishwasher will not turn on.

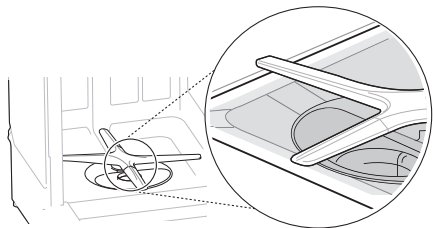
Adjusting Front Leveling Feet

Use a flat-blade screwdriver to turn the front leveling feet and adjust the front of the tub.

- Turn the front leveling feet clockwise to raise the front of the tub and counterclockwise to lower it.

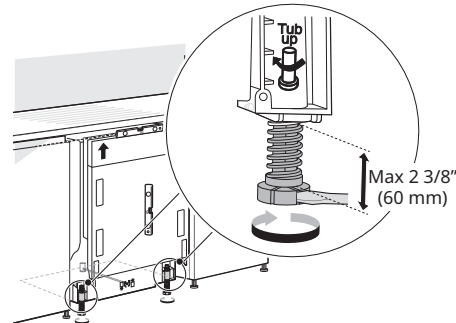
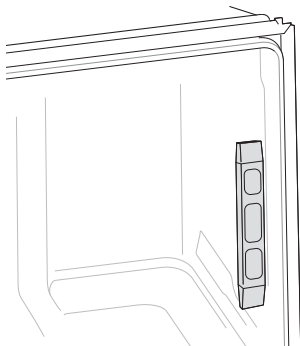
Checking Leveling

To check that the tub is level from front to back, remove the lower rack and pour **135 oz. (4 L)** of water into the bottom of the tub. The water level should be near the center of both tub lower indentations at the front.

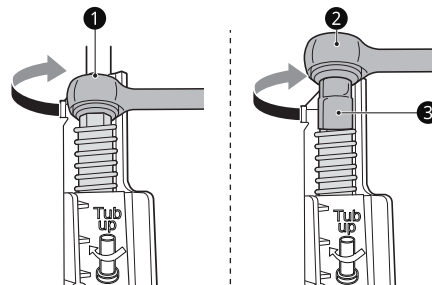


With the lower rack removed, place a level on the inside wall of the tub to check that the dishwasher is level from side to side.

- If you do not have a level, try using a smartphone level application instead.



- The adjustments work identically for both front leveling feet.
- When a flat-blade screwdriver is unavailable, use a 1/4" square drive wrench **1** or 3/8" square drive wrench **2** with 1/2" socket **3** to turn the front leveling feet and adjust the front of the tub.

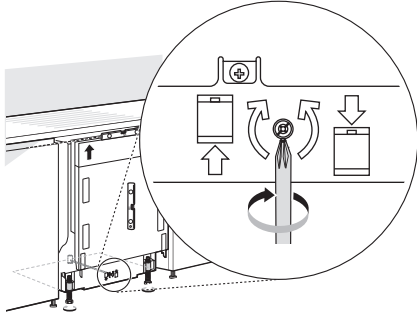


20 INSTALLATION

Adjusting Rear Leveling Foot

Use a Phillips screwdriver to adjust the rear leveling foot and the rear of the tub using the center screw at the base of the appliance in the front.

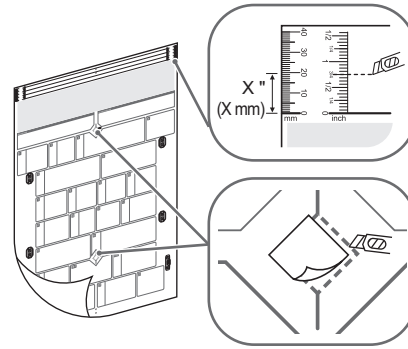
- Turn the center screw clockwise to raise the rear of the tub and counterclockwise to lower it.



NOTE

- To avoid damaging the screw, do not use an electric screwdriver.

- Using the measurement from step 2, make a mark x " up from the bottom of both rulers at the top of the provided installation template. Draw a line between the marks and trim off the top of the template at the line. Cut out the squares marked on the midline of the template so that you can see the center line.



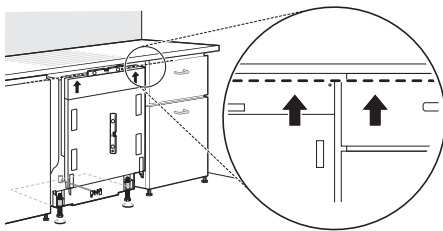
Adjusting Door Spring Tension

If the cabinet panel weighs between 17.6 lb (8 kg) and 24.2 lb (11 kg), adjust the door spring tension to make the door easier to open.

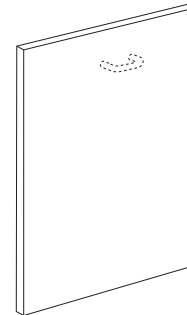
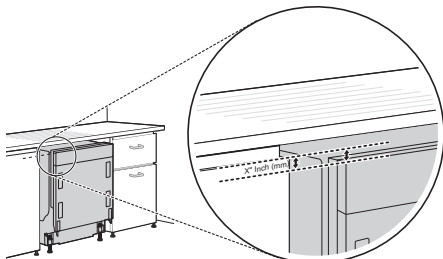
Securing Cabinet Panel to Dishwasher

Adjusting Appliance Height

- Adjust the height of the appliance so the top of the door is as close to the height of the surrounding cabinet doors or drawer fronts as possible.

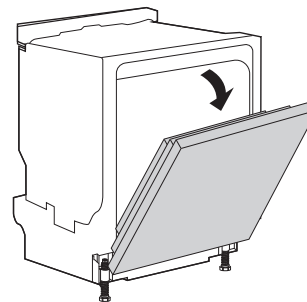


- Measure the difference in height (x ") between the top of the dishwasher door and the tops of the surrounding cabinet doors or drawers.

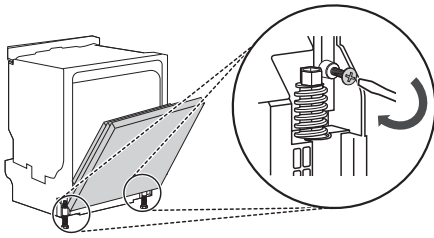


17.6 lb (8 kg) ≤  ≤ 24.2 lb (11 kg)

- Open the dishwasher door to about 30°.
 - Do not adjust the spring strength with the dishwasher door fully open.

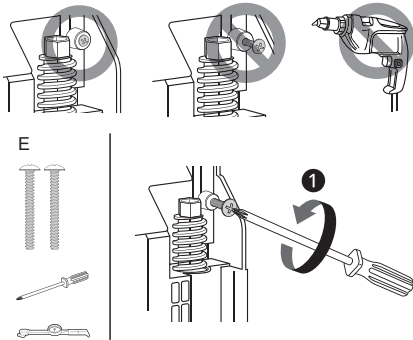


- Use the door adjustment screws provided to adjust the door spring tension at the bottom of the dishwasher.



CAUTION

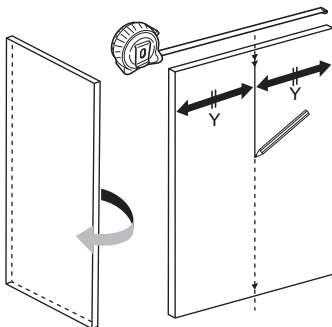
- Tighten the door adjustment screws completely.
- Adjust the spring strength properly. If you do not adjust the spring strength, the door may fall open or spring closed unexpectedly.
- Tightening harder than 15 kgf may result in a crack in the screw boss.



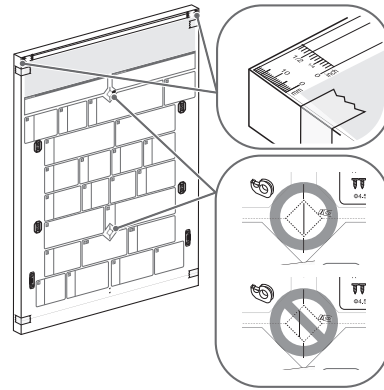
1 Max. 15kgf

Preparing Cabinet Panel

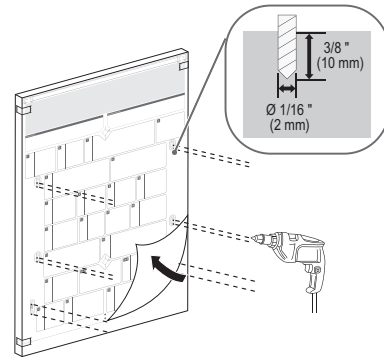
- 1 Mark a center line lengthwise down the back of the cabinet panel.



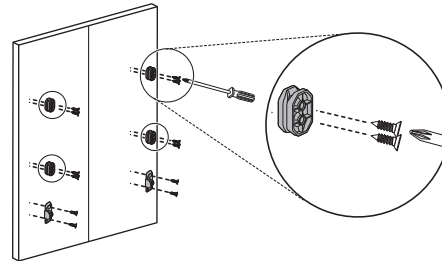
- 2 Align the top and center line on the installation template with the top and center line of the cabinet panel. Securely tape the installation template to the back of the cabinet panel.



- 3 Use a 1/16" (2 mm) diameter drill bit to drill 3/8" (10 mm) deep pilot holes at the 12 points marked on the template.

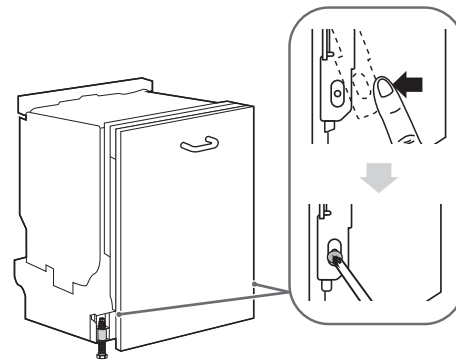
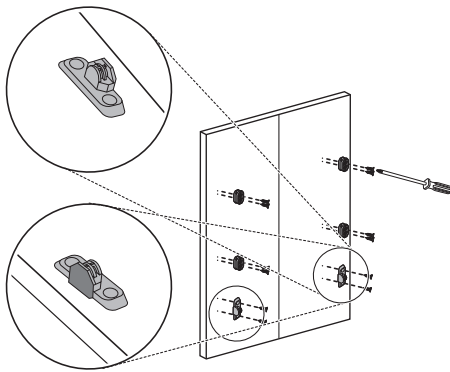


- 4 Remove the template, and attach the upper and middle panel brackets (provided) to the cabinet panel using the provided wood screws.

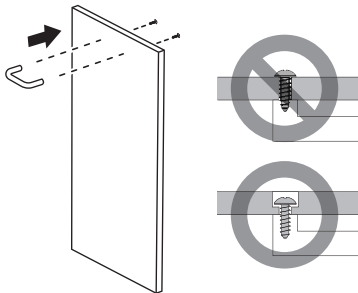


- 5 Attach the lower panel brackets (provided) to the cabinet panel using the provided wood screws.

22 INSTALLATION



- 6** Attach a handle to the front of the cabinet panel before mounting the panel on the dishwasher. Make sure to countersink the screws so the panel slides smoothly.



Securing Dishwasher in Cabinet Opening

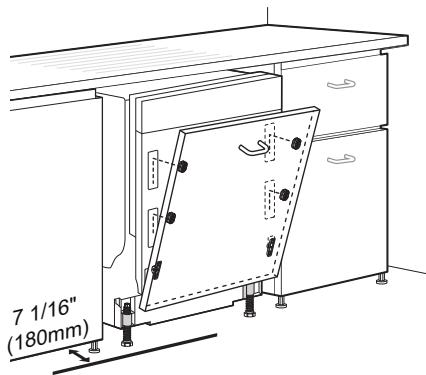
There are 2 options for securing the dishwasher. If the countertop is made of wood or a material that can safely be drilled into, secure the dishwasher to the countertop with the provided brackets. If the countertop is granite, marble, or a material that cannot be drilled into, secure the dishwasher to the cabinet frame with the provided wood screws.

⚠ CAUTION

- Ensure the dishwasher is level and all leveling feet are in firm contact with the floor before attaching the dishwasher to the countertop or cabinet. If the dishwasher is not leveled properly, the door may not close properly or water may leak.

Mounting Cabinet Panel

- 1** Mount the cabinet panel on the dishwasher door by inserting the brackets on the panel into the bracket openings in the door.



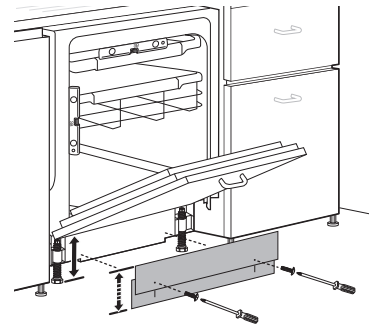
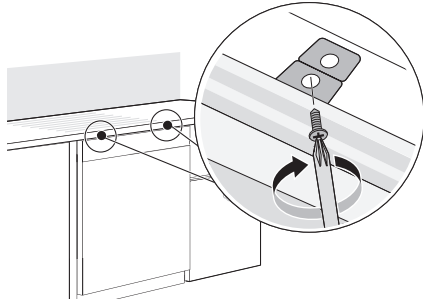
- 2** Attach the cabinet panel to the dishwasher door on the sides using the provided bracket screws.

NOTE

- Installation brackets and screws can be found in the silverware basket.
- Use a magnetic screwdriver.
- Cover the filter hole with towels to prevent screws from falling down into the pump.

Securing Dishwasher to Countertop

Use the bracket screws provided to secure the brackets at the top of the dishwasher to the underside of the wood countertop.

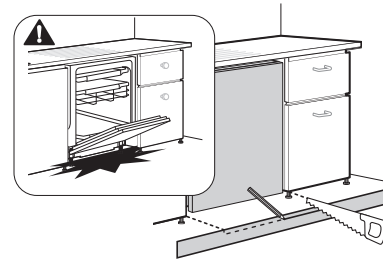
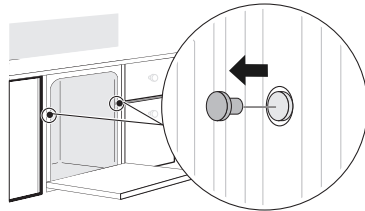


- 2 Attach a custom toe kick. If needed, use a saw to cut a notch in the top of the custom toe kick to provide clearance for the cabinet panel when opening the door.

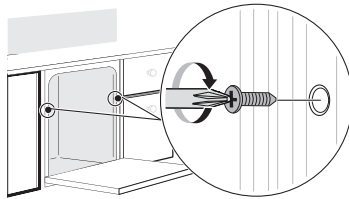
Securing Dishwasher to Cabinet Frame

If desired, the dishwasher can also be secured to the cabinet frame using the instructions which follow.

- 1 Remove the 2 plastic caps from the mounting bracket access holes.



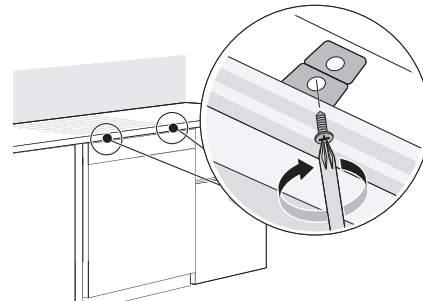
- 2 Drive a wood screw through the mounting bracket and into the cabinet frame.



- 3 Reinstall the plastic caps.

Securing Dishwasher to Countertop

Use the bracket screws provided to secure the brackets at the top of the dishwasher to the underside of the wood countertop.



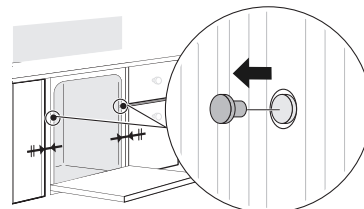
Attaching Toe Kick

- 1 Attach the provided lower cover to the base of the dishwasher.

Securing Dishwasher to Cabinet Frame

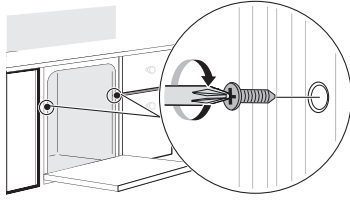
If desired, the dishwasher can also be secured to the cabinet frame using the instructions which follow.

- 1 Remove the 2 plastic caps from the mounting bracket access holes.



24 INSTALLATION

- 2 Drive a wood screw through the mounting bracket and into the cabinet frame.



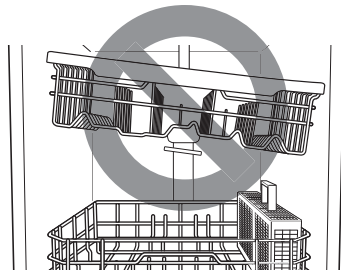
- 3 Reinstall the plastic caps.

Final Installation Check

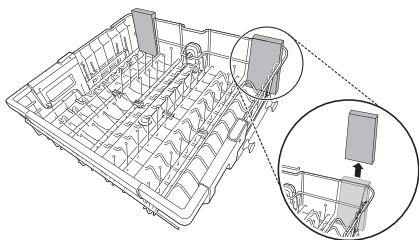
Testing the Dishwasher

Check if the dishwasher is properly installed.

- 1 Turn on the circuit breaker.
- 2 Turn on the house water supply.
- 3 Make sure that the door opens and closes smoothly.
 - If necessary, level the dishwasher again.
 - If the door will not close, make sure the rack is level.



- Make sure that all packaging materials have been removed.



- 4 Power on the dishwasher and run a **Turbo** cycle to verify proper operation.
- 5 Check for leaks at the drain hose and water supply connection.

- 6 If a water leak is detected, press and hold the **Start** button for 3 seconds to cancel the wash cycle and automatically drain the water from the dishwasher. Tighten all water connections and run another cycle. Repeat until no leaks are detected.

- 7 Remove the protective film from the door, if present. Leaving the film on may cause discoloration or condensation on the door.

Installation Check Error Codes

Refer to the chart below before calling for service.

Error Code	Possible Cause and Solution
OE	<p>Drain hose is kinked or pinched.</p> <ul style="list-style-type: none"> • Feed the drain and water supply hoses through the hole under the sink. Then gradually slide the dishwasher into the cabinet while pulling on the hoses under the sink to take up any slack. This helps avoid kinking the hoses or trapping them beneath the dishwasher. <p>Drain hose is connected to the disposal without removing the knockout plug.</p> <ul style="list-style-type: none"> • Remove the knockout plug from the disposal. <p>Waste tee or disposal is clogged.</p> <ul style="list-style-type: none"> • Remove knockout plug on the waste tee or disposal.
IE	<p>Water supply line is kinked under dishwasher.</p> <ul style="list-style-type: none"> • Feed the drain and water supply hoses through the hole under the sink. Then gradually slide the dishwasher into the cabinet while pulling on the hoses under the sink to take up any slack. This helps avoid kinking the hoses or trapping them beneath the dishwasher. <p>House water supply is not turned on.</p> <ul style="list-style-type: none"> • Turn the water faucet on.

OPERATION

Before Using

WARNING

- To reduce the risk of fire, electric shock, or injury to persons, read the **SAFETY INSTRUCTIONS** before operating this appliance.

NOTE

- Connect to the hot water supply only. The water supply temperature should be a minimum of 120 °F (49 °C) for better washing performance and shorter cycle time.
- Follow the instructions for loading the dishwasher to ensure effective cleaning.
- Remove insoluble items such as bones, toothpicks, and pieces of paper while loading the dishwasher.

ENGLISH

Checking Water Hardness Level

Method 1


- 1 Talk to the local municipal water department to check the water hardness in your area.
- 2 Set the water softening level on the appliance based on this information.

Method 2

Test the hardness of your water using the strips included with the appliance.

- 1 Pour a glass of water from the tap, and submerge the test area of the strip in the water for about a second. Do not hold the test strip under running water.
- 2 Shake off excess liquid from the strip and wait for 1 minute.
- 3 Check the color on the strip against the chart on the package to determine the water hardness.
- 4 Set the water softening level on the appliance.

Water Hardness Table

Water Hardness							Softening level
ppm	°d	°e	°f	mmol/l (Ca+Mg)	mg/l (Ca)	Range	
0	<4	<5	<7	<0.7	<29	Soft	H0
75	4 - 7	5 - 9	7 - 13	0.7 - 1.3	29 - 50		H1
125	7 - 14	9 - 17.5	13 - 25	1.3 - 2.5	50 - 100		H2
250	14 - 21	17.5 - 26	25 - 38	2.5 - 3.8	100 - 150		H3
375	>21	>26	>38	>3.8	>150	Hard	H4

26 OPERATION

Setting the Water Softening System

For improved wash performance, adjust the water softening level based on how hard your water is. The water softener has 5 settings. The default setting is H2. Follow these steps to check the setting and adjust it if needed.

- 1 Press **Power** and **Half Load** button simultaneously.
 - Current setting value indicated.
- 2 Press the **Remote Start** button repeatedly to set the desired softener level from **H0** to **H4**.
- 3 Press the **Start** button to save the setting.
 - The power turns off after saving.

NOTE

- The **Salt Refill** LED turns on in the display if dishwasher salt needs to be refilled.
- Setting the softener level to **H0** prevents the **Salt Refill** LED from turning on even when the dishwasher salt container is empty.

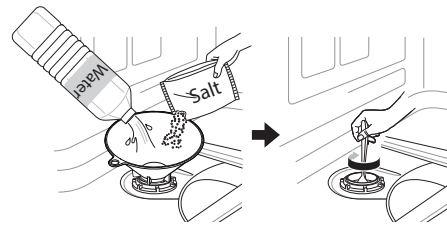
Filling the Dishwasher Salt

Fill the dishwasher salt container before starting a wash cycle. If more salt is needed, the **Salt Refill** LED will light up on the display, unless the softener level is set to H0.

CAUTION

- After filling the dishwasher salt container, run the Rinse cycle immediately to remove any salt residue from the inner tub and prevent corrosion.

- 1 Remove the lower rack and remove the cap of the salt container located on the left side of the filters.
- 2 If you plan to use the water softening system, you must prime it before using the appliance for the first time. To do this, mix 2.2 lb (1 kg) of dishwasher salt with 34 oz (1 liter) of water. Use the funnel provided to pour the mixture into the dishwasher salt container. For details on setting the softener level, see the **Before Using** section.



- 3 Tightly close the cover on the dishwasher salt container.
- 4 Run the **Rinse** cycle without dishes.

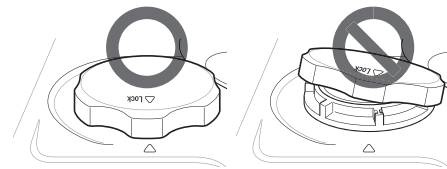
Salt Refill Frequency

	H1	H2	H3	H4
Cycles	200	60	30	10

- The frequency in the table is based on using the **Auto** cycle.
- Different cycles may use different amounts of salt.

CAUTION

- To avoid product malfunction, do not pour detergent in the dishwasher salt container.
- Wipe any salt residue from around the salt container cover.
- Close the cover by aligning it horizontally and turning it clockwise. If the cover is not tightly closed, the salt solution can leak into the tub and cause corrosion.
- After refilling the dishwasher salt, run a Rinse cycle immediately without dishes to get rid of any salt residue which could cause rust or damage to the appliance.



NOTE

- Dishwasher salt can be purchased online or from appliance retailers.

Quick Start

- 1) Load the dishes.

- 2) Add the detergent.
- 3) Turn on the dishwasher.
- 4) Check the rinse aid.
- 5) Select the cycle and options.
- 6) Operate the dishwasher.

- **Method 1**

- Press the **Start** button and then close the door in less than four seconds to operate the dishwasher. If the door is not closed within four seconds, an audible tone is heard, and the cycle does not start.

- **Method 2**

- Close the door first and then press the **Start** button to operate the dishwasher.

NOTE

- If the door is opened during the cycle, the dishwasher will stop. To resume the cycle, see methods 1 and 2 above.
- If the door is opened during the cycle and is not closed within four seconds after selecting the **Start** button, or if the door is closed without pressing the **Start** button, the white LED with time flashes, an audible tone is heard, and the cycle does not start.

- 7) End of cycle.
 - When the cycle is complete, a chime will sound and the display will show **End** until the door is opened or **Power** is pressed. To save energy, press and hold **Delay Start** and **Remote Start** simultaneously for three seconds to set the **End** display to automatically turn off a few minutes after the cycle ends.
 - It is normal for the dishwasher to chime continuously if you open it during operation or just after the cycle ends. The dishwasher is letting you know that the interior temperatures of the unit are hot and to use caution when reaching inside. Once the unit has cooled down, the chiming will stop.

For more details, refer to the online owner's manual.

CAUTION

- Do not open the door during operation or immediately after it has completed the wash cycle as the escaping steam may cause scalding as the door is opened.

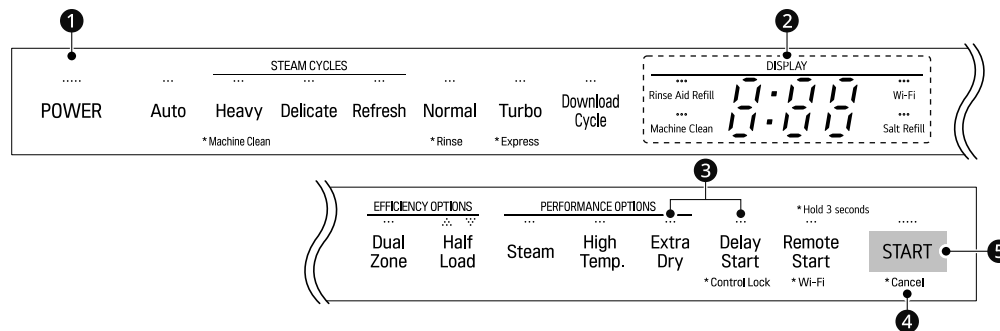
Auto-Off

The dishwasher automatically turns off after four minutes of inactivity if paused or if no cycle is started.

28 OPERATION

Control Panel

Control Panel Features



1 Power On/Off Button

- Press this button to turn the washer on or off.
- After the cycle is complete, the power automatically turns off for purposes of safety and economy.
- If there is a power surge, power outage, or disruption of any kind, power is automatically turned off for safety.
- When power is connected again, the dishwasher will turn on automatically and resume the cycle.

2 Display

- **Rinse Aid Refill**
 - This LED illuminates when the rinse aid level is low. The LED automatically shuts off when the rinse aid is refilled or the level is set to 0.
 - Refer to the **Rinse Aid Dispenser Adjustment** section.
- **Machine Clean**
 - The **Machine Clean** LED flashes every 30 cycles. To activate or deactivate the LED, press the **Delicate** button for three seconds.
 - If the **Steam** option is added to a cycle, the **Machine Clean** LED stays lit at the end of the cycle.
- **8:88 : Digital Display**
 - The digital display on the control panel shows the ESTIMATED cycle time. When the cycle and options are selected, the display shows the total estimated time to complete those selections. During operation, the display shows the remaining estimated operating time.

NOTE

- The estimated time shown on the display does not include delay times for heating water, etc.
- If **Delay Start** is selected, the display shows the delay time in hours.
- Cycle time may vary depending on the soil level of your load.

• **🔒: Control Lock**

- The **Control Lock** feature helps prevent settings from being changed during a cycle. Selecting this feature locks all of the buttons, except for the **Power** button, on the control panel. This feature does not lock the door.
- While a cycle is running, press and hold **Delay Start** for three seconds to activate or deactivate **Control Lock**.
- To start a new cycle, deactivate **Control Lock**.

• **Wi-Fi**

- When the appliance is connected to the internet through a home Wi-Fi network, this LED illuminates.

- Press and hold **Remote Start** for approximately three seconds to connect to the network.
- **Salt Refill**
 - This LED flashes when the salt level is low. The LED automatically shuts off when the salt is refilled.
- ③ **Chime On/Off Button**
 - To activate or deactivate the button sounds, press and hold **Extra Dry** and **Delay Start** simultaneously for three seconds. The error alert sound cannot be turned off.
- ④ **Cancel Button**
 - The drain pump activates and the cycle cancels. Once the dishwasher finishes draining, the power turns off.
 - Press and hold **Start** for three seconds to activate.
- ⑤ **Start Button**
 - To operate the machine, either press **Start** and close the door within four seconds or close the door and press **Start**.
 - An alert will sound if the door is closed more than 4 seconds after the **Start** button is pressed.

Wash Cycles

Select your desired cycle.

Auto

This cycle senses the soil amount and soil toughness and is optimized to achieve the best cleaning.

Heavy

This cycle is for heavily soiled dishes and dishes with hardened on soil. This cycle defaults to the strongest spray intensity and uses it to wash heavily soiled dishes.

Delicate

Use this cycle to clean delicate items such as fine china and stemware.

Refresh

This cycle freshens up and warms dishes that have been unused for a long time.

- Do not use detergent when using this cycle.
- The steam option cannot be turned off on this cycle.

Normal

This cycle is for daily, regular, or typical use to completely wash a full load of normally soiled

dishes. The energy usage label is based on this cycle without any options.

Turbo

This cycle will clean heavily soiled dishes in an hour using slightly more energy and water.

- This cycle does not have drying. Select the **Extra Dry** option for better drying.

Download Cycle

Use a dedicated cycle downloadable via Wi-Fi or NFC.

NOTE

- Only the cycle code for the current Download Cycle appears on the appliance. See the smartphone app for cycle codes, names, and more information about the available cycles.
 - Default Cycle : P1. Pots & Pans

Machine Clean

This cycle is for cleaning the inside of the dishwasher. Use the cycle without dishes in the machine. It eliminates residual soils, odor, white spots, and other dirt. Add citric acid or another cleaning agent for more effective results.

- Press and hold **Heavy** for three seconds to activate.

30 OPERATION

Rinse

This cycle is a quick rinse for dishes that will not be washed immediately. The cycle rinses dishes that have excess soil to soften dried on residue. Rinsing the dishes helps prevent odors in the dishwasher. No detergent should be used.

- This cycle does not have drying.
- Press and hold **Normal** for three seconds to activate.

Express

This cycle will quickly clean lightly soiled dishes.

- This cycle does not have drying. Select the **Extra Dry** option for better drying.
- Press and hold **Turbo** for three seconds to activate.

Options and Extra Functions

Select the desired cycle and then select the options for that cycle.

Dual Zone

This option automatically sets the spray intensity to soft for the upper spray arm and strong for the lower spray arm. Place heavily soiled dishes like plates and bowls in the lower rack and lightly soiled dishes like cups and small plates in the upper rack to get the best results.

Half Load

This option washes intensively by selecting the upper or lower racks. For small loads, use just the upper or lower rack to save energy and time. Press the **Half Load** button repeatedly to select the upper [⋮] or lower [⋮] rack or to cancel the option.

Steam

This option adds steam at the start of the cycle to improve wash performance.

High Temp.

Raises the main wash temperature to improve cleaning.

Extra Dry

Select the **Extra Dry** option for better drying performance. This option adds extra drying time to the cycle and raises the heated rinse temperature.

- When the rinse aid is empty, the **Extra Dry** option is selected automatically.

Delay Start

This feature delays the start of a selected cycle. Each time the **Delay Start** button is pressed, the delay time increases by an hour. The delay time can be set from 1 to 12 hours, in one-hour increments.

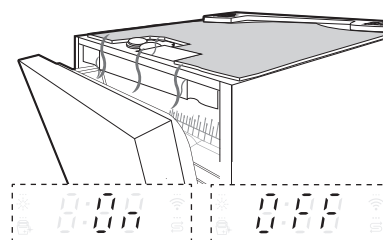
Remote Start

Use a smartphone to control your appliance remotely. You can also monitor your cycle operation so you know how much time is left in the cycle. Once this function is enabled, you can start a cycle from the smartphone application. If the cycle is not started, the appliance will wait to start the cycle until it is turned off remotely from the application or this function is disabled.

Auto Open Dry (AOD)

Activate AOD to automatically open the door at the end of cycles that include drying to enhance the drying performance.

- The AOD feature is not available in all models.
- To activate or deactivate the AOD feature, press and hold the **High Temp.** and **Extra Dry** buttons simultaneously for 3 seconds.
- The AOD feature is not available when the **Rinse** cycle is selected.
- If the **Download Cycle** is selected, the AOD feature may operate even if it is deactivated. This is because downloadable cycles are designed to achieve the best wash performance for a specific purpose regardless of the appliance settings.
- The display shows whether the AOD feature is on or off.



⚠ WARNING

- Keep children away from the appliance while the appliance is operating. Exposure to high temperature steam may cause scalding or burns.

Cycle/Option Guide

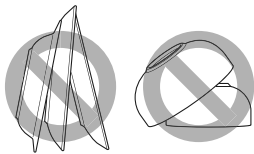
The cycle guide shows the available options for each cycle.

To see the Cycle/Option Guide, refer to the online owner's manual.

Loading the Dishwasher

The extra tall tub allows loading of dishes, pans, or other utensils up to 11 3/4" high. For effective washing performance, always follow these instructions.

- Remove large particles of food debris from plates including bones before loading.
- Items with burnt on food should be soaked prior to loading in the dishwasher.
- Deep pots or dishes should be placed upside down.
- Make sure that all items do not touch each other.



Non-Dishwasher Safe Items

The combination of high water temperature and dishwasher detergents may damage certain items. Do not wash the following items in the dishwasher.

- Copper or anodized aluminum
- Hand painted silver or gold leaf china
- Wood or bone handled utensils
- Iron or non-rustproof utensils
- Plastic items which are not dishwasher safe
- Sterling silver or gold-plated flatware or delicate or metal-rimmed china
- Fragile items such as crystal glasses

⚠ CAUTION

- Do not place pots or pans with plastic handles in the appliance as the handles may deteriorate due to the heat and detergent.

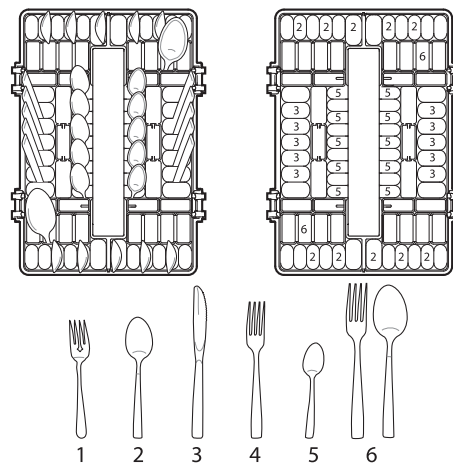
- Waterproof or long-lasting lipstick smudges on glasses may not be removed during the wash.

Loading the Silverware Basket

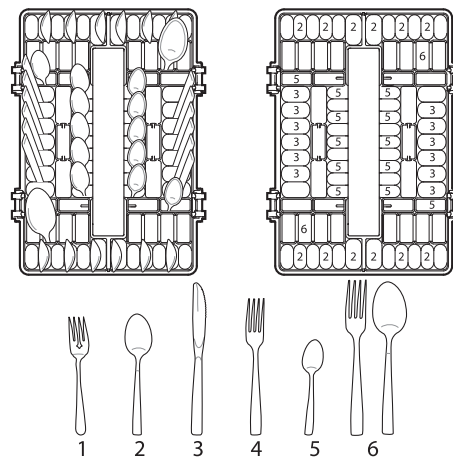
The silverware basket has separators to avoid scratching and tarnishing of delicate silverware.

Loading Silverware into the Basket

Loading 10 Place Settings



Loading 12 Place Settings



Silverware Loading Tips:

- For best cleaning results, use the top separators in the basket when loading silverware. The separators will prevent nesting of silverware.
- Load sharp items, such as knives, pointing down.
- When unloading the dishwasher, it is best to start with the silverware basket. Doing so will

32 OPERATION

prevent water droplets from falling on your silverware from the upper rack.

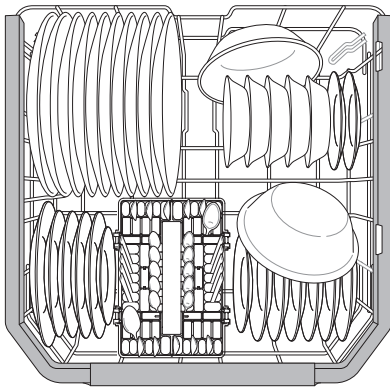
⚠ WARNING

- Be careful when loading and unloading sharp items. Load sharp knives with the handles up to reduce the risk of personal injury.

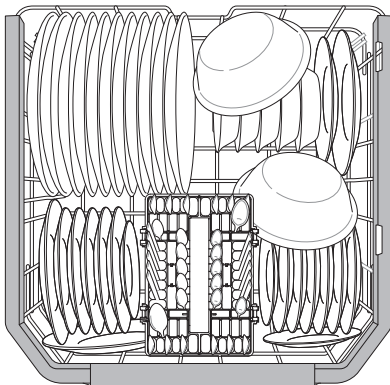
Loading the Lower Rack

Loading Dishes into the Lower Rack

Loading 10 Place Settings



Loading 12 Place Settings



Lower Rack Loading Tips:

For details, refer to the online owner's manual.

Folding Down the Lower Tines

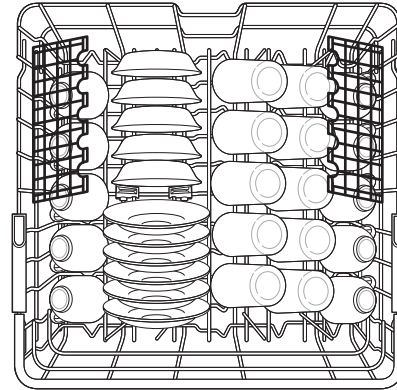
Fold tines down to fit larger dishes; pull tines back up to fit smaller dishes.

For more details, refer to the online owner's manual.

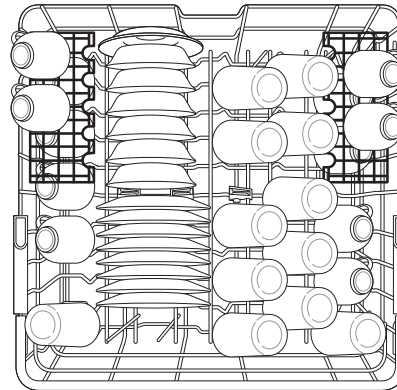
Loading the Upper Rack

Loading Dishes into the Upper Rack

Loading 10 Place Settings



Loading 12 Place Settings



Upper Rack Loading Tips:

For details, refer to the online owner's manual.

Loading the Cup Rack

Extra cups or cooking utensils can be laid on the fold down cup racks, which also provide support for long-stemmed glasses.

For more details, refer to the online owner's manual.

Removing and Replacing Cup Rack

The left and right cup racks are interchangeable and can be removed.

For more details, refer to the online owner's manual.

Folding Down the Upper Tines

Fold tines down to fit larger dishes; pull tines back up to fit smaller dishes.

For more details, refer to the online owner's manual.

Height Adjustable Upper Rack

The upper rack adjusts up and down. Raise the upper rack to allow items up to 11 3/4" tall in the lower rack. Lower the upper rack to allow dishes up to 10 5/8" tall in the upper rack. The dishwasher ships with the upper rack raised.

For more details, refer to the online owner's manual.

⚠ WARNING

- Before adjusting, ensure the rack is empty of all dishes. Otherwise dishes may get damaged or you may get injured.

Removing the Snap-In Gliding Upper Rack

The instructions in the online owner's manual are for models with snap-in rack supports rather than wheeled rack supports.

⚠ CAUTION

- The snap-in upper rack should only be removed for servicing. If you need to remove the rack, wear gloves and handle the screwdriver carefully to avoid personal injury or damage to the dishwasher.

Loading the Cutlery Rack

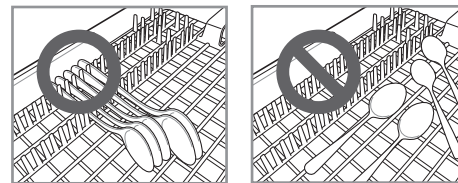
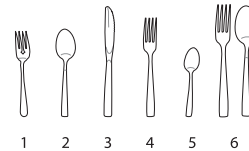
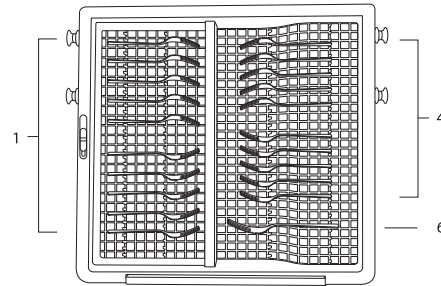
The cutlery rack is best suited for flatware. The separators on the cutlery racks help keep flatware separated to avoid damage and improve cleaning.

NOTE

- For best cleaning performance, place flatware in the silverware baskets. Heavily soiled utensils or items with baked on foods should be placed in the middle rack or spoon basket for best performance.

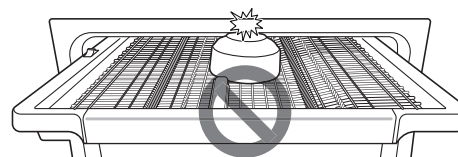
Loading Silverware into the Cutlery Rack

Loading 10 Place Settings



⚠ CAUTION

- Do not place bowls in the center of the cutlery rack. The door may not close properly, resulting in leakage.



Height Adjustable Tray

For details, refer to the online owner's manual.

Removing the Cutlery Rack

The entire cutlery rack can be removed if more space is needed on the upper rack for larger items.

For more details, refer to the online owner's manual.

34 OPERATION

⚠ WARNING

- Be careful when loading and unloading items with sharp edges. Load sharp knives with the blade down to reduce the risk of injury.

Adding Cleaning Products

Adding Detergent to the Dispenser

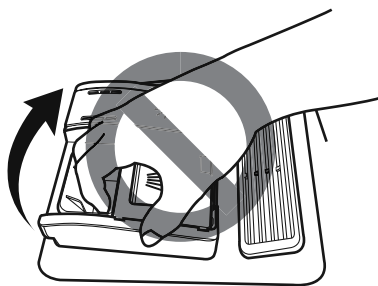
- Remove the label on the dispenser prior to running the dishwasher for the first time.
- The amount of detergent needed depends on the cycle, load size, and soil level of dishes.
- Put detergent into the detergent compartment before starting any cycle, except the **Rinse** cycle.

⚠ WARNING

- Dishwasher detergent and rinse aid contain chemical components, like all other household detergent. So, they must be kept out of the reach of children.

⚠ CAUTION

- Use only detergent intended for dishwashers. Incorrect detergent may cause the dishwasher to fill with suds during operation. Excess suds may reduce wash performance and may cause the dishwasher to leak.
- To avoid damaging the dispenser, do not pull up on the dispenser to close the dishwasher door.



For more details, refer to the online owner's manual.

Adding Rinse Aid to the Dispenser

The **Rinse Aid Refill** LED appears in the display when more rinse aid is needed.

The use of rinse aid is recommended to prevent water spots on dishes and to enhance drying performance.

For more details, refer to the online owner's manual.

Rinse Aid Dispenser Adjustment

The dispenser has five adjustment levels. The dishwasher is programmed at the factory for a rinse aid dispenser level of 2. This can be checked and adjusted from the control panel.

NOTE

- Adjust the setting higher if you have hard water and notice calcium buildup on your dishes.
- Setting the rinse aid control too low will contribute to spotting and streaking on dishes and poor drying performance.
- Setting the control too high can cause foaming, which will cause poor wash performance.

- 1 Ensure the appliance is off.
- 2 Press **Dual Zone** and **Power** simultaneously to check the current setting.
- 3 Press **Remote Start** to change the rinse aid dispenser setting. Each press of the button changes the setting one step from L0 to L4.
- 4 Once the desired rinse aid dispenser setting is selected, press **Start** to save.

Refilling the Rinse Aid

How often the dispenser needs to be refilled depends on how often dishes are washed and the rinse aid setting used.

- The **Rinse Aid Refill** LED flashes when more rinse aid is needed, unless the rinse aid dispenser setting is set to L0.

SMART FUNCTIONS

LG ThinQ Application

The **LG ThinQ** application allows you to communicate with the appliance using a smartphone.

LG ThinQ Application Features

- **Monitoring**
 - Check the current status, cycle, options, running time and cycle end time for the appliance on a single screen.
- **Download Cycle**
 - You can download new and specialized cycles that are not included in the standard cycles on the appliance. Connect the appliance to the app to download a variety of specialty cycles specific to the appliance. Once cycle download is completed in the appliance, the product keeps the downloaded cycle until a new cycle is downloaded.

NOTE

- Only one downloaded cycle can be stored on the appliance at a time.
- **Machine Clean Coach**
 - This function shows how many cycles remain before running the **Machine Clean** cycle.
- **Smart Diagnosis**
 - This function provides useful information for diagnosing and solving issues with the appliance based on the pattern of use. Select **Smart Diagnosis** in the app and follow the instructions. For additional information, refer to the online owner's manual.
- **Settings**
 - Set the Rinse Aid Dispenser Level, Machine Clean Reminder, Signal Level and Clean Indicator Light.

When the cycle is complete or the appliance has problems, you have the option of receiving push notifications on a smart phone.
- **Push Alerts**
 - Turn on the **Push Alerts** to receive appliance status notifications.

The notifications are triggered even if the **LG ThinQ** application is off.

NOTE

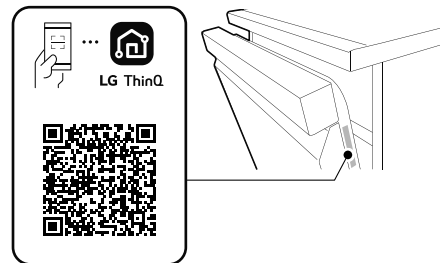
- If you change your wireless router, Internet service provider, or password, delete the connected appliance from the **LG ThinQ** application and connect it again.
- This information is current at the time of publication. The application is subject to change for product improvement purposes without notice to users.

ENGLISH

Installing LG ThinQ Application and Connecting an LG Appliance

Models with QR Code

Scan the QR code attached to the product using the camera or a QR code reader application on your smartphone.



Models without QR Code

- 1 Search for and install the **LG ThinQ** application from the Google Play Store or Apple App Store on a smartphone.
- 2 Run the **LG ThinQ** application and sign in with your existing account or create an LG account to sign in.
- 3 Touch the add (+) button on the **LG ThinQ** application to connect your LG appliance. Follow the instructions in the application to complete the process.

NOTE

- To verify the Wi-Fi connection, check that the **Wi-Fi** LED on the control panel is lit.
- The appliance supports 2.4 GHz Wi-Fi networks only. To check your network frequency, contact

36 SMART FUNCTIONS

your Internet service provider or refer to your wireless router manual.

- **LG ThinQ** is not responsible for any network connection problems or any faults, malfunctions, or errors caused by network connection.
- The surrounding wireless environment can make the wireless network service run slowly.
- If the distance between the appliance and the wireless router is too far, the signal becomes weak. It may take a long time to connect or fail to install the application.
- If the appliance is having trouble connecting to the Wi-Fi network, it may be too far from the router. Purchase a Wi-Fi repeater (range extender) to improve the Wi-Fi signal strength.
- The network connection may not work properly depending on the Internet service provider.
- The Wi-Fi may not connect or the connection may be interrupted because of the home network environment.
- If the appliance cannot be connected due to problems with the wireless signal transmission, unplug the appliance and wait about a minute before trying again.
- If the firewall on your wireless router is enabled, disable the firewall or add an exception to it.
- The wireless network name (SSID) should be a combination of English letters and numbers. (Do not use special characters.)
- Smartphone user interface (UI) may vary depending on the mobile operating system (OS) and the manufacturer.
- If the security protocol of the router is set to **WEP**, network setup may fail. Change the security protocol (**WPA2** is recommended), and connect the product again.

Using the Appliance Remotely

Remote Start

Use a smartphone to control your appliance remotely. You can also monitor your cycle operation so you know how much time is left in the cycle.

Using Remote Start

- 1** Load the dishes into the dishwasher.
- 2** Press the **Power** button.

- 3** Press the **Remote Start** button and close the dishwasher door to enable the remote control function.

- 4** Start a cycle from the **LG ThinQ** application on your smartphone.

NOTE

- Once this function is enabled, you can only start a cycle from the **LG ThinQ** smartphone application. If the cycle is not started, the appliance will wait to start the cycle until it is turned off remotely from the application or this function is disabled.
- If the door has been opened, you cannot start a cycle remotely.
- If you press **Start** after pressing **Remote Start**, the Remote Start function will be disabled.

Disabling Remote Start Manually

While Remote Start is activated, open the dishwasher door or press the **Remote Start** button twice quickly with the door closed.

Wireless LAN Module Specifications

Frequency Range	2412 MHz - 2462 MHz
Output Power (Max)	< 30 dBm

FCC Notice

The following notice covers the transmitter module contained in this product.

This equipment has been tested and found to comply with the limits for a Class B digital device, pursuant to Part 15 of the FCC Rules. These limits are designed to provide reasonable protection against harmful interference in a residential installation. This equipment generates, uses, and can radiate radio frequency energy and, if not installed and used in accordance with the instructions, may cause harmful interference to radio communications. However, there is no guarantee that interference will not occur in a particular installation. If this equipment does cause harmful interference to radio or television reception, which can be determined by turning the equipment off and on, the user is encouraged to try to correct the interference by one or more of the following measures:

- Reorient or relocate the receiving antenna.
- Increase the separation between the equipment and the receiver.
- Connect the equipment into an outlet on a circuit different from that to which the receiver is connected.
- Consult the dealer or an experienced radio/TV technician for help.

This device complies with part 15 of the FCC Rules. Operation is subject to the following two conditions:

- (1) This device may not cause harmful interference and
- (2) This device must accept any interference received, including interference that may cause undesired operation.

Any changes or modifications in construction of this device which are not expressly approved by the party responsible for compliance could void the user's authority to operate the equipment.

FCC RF Radiation Exposure Statement

This equipment complies with FCC radiation exposure limits set forth for an uncontrolled environment. This transmitter must not be co-located or operating in conjunction with any other antenna or transmitter.

This equipment should be installed and operated with a minimum distance of 20 cm (7.8 inches) between the antenna and your body. Users must follow the specific operating instructions for satisfying RF exposure compliance.

Industry Canada Statement

This device contains licence-exempt transmitter(s)/ receiver(s) that comply with Innovation, Science and Economic Development Canada's licence-exempt RSS(s). Operation is subject to the following two conditions:

- (1) This device may not cause interference.
- (2) This device must accept any interference, including interference that may cause undesired operation of the device.

IC Radiation Exposure Statement

This equipment complies with IC radiation exposure limits set forth for an uncontrolled environment.

This equipment should be installed and operated with a minimum distance of 20 cm (7.8 inches) between the antenna and your body.

NOTE

- THE MANUFACTURER IS NOT RESPONSIBLE FOR ANY RADIO OR TV INTERFERENCE CAUSED BY UNAUTHORIZED MODIFICATIONS TO THIS EQUIPMENT. SUCH MODIFICATIONS COULD VOID THE USER'S AUTHORITY TO OPERATE THE EQUIPMENT.

ENGLISH

Open Source Software Notice Information

To obtain the source code that is contained in this product, under GPL, LGPL, MPL, and other open source licenses that have the obligation to disclose source code, and to access all referred license terms, copyright notices and other relevant documents, please visit <https://opensource.lge.com>.

LG Electronics will also provide open source code to you on CD-ROM for a charge covering the cost of performing such distribution (such as the cost of media, shipping, and handling) upon email request to opensource@lge.com.

This offer is valid to anyone in receipt of this information for a period of three years after our last shipment of this product.

MAINTENANCE

To maintain performance and prevent trouble, it is important to check the outside and inside of the dishwasher, including filters and spray arms, at regular intervals.

⚠ WARNING

- When cleaning the outside and inside of the dishwasher, do not use benzene or thinner. Otherwise, it may cause fire or explosion.
- To prevent injury during care and maintenance or cleaning, wear gloves and/or protective clothing.

Cleaning and Care

Cleaning the Exterior

- Do not use scrub pads or abrasive cleaners on the exterior of the dishwasher.
- Most soil can be removed using a soft, damp cloth or sponge. A mild soap can be used to help release stubborn soil. Rinse and wipe dry with a soft cloth after cleaning.
- Stainless steel surfaces can be polished using a stainless steel cleaner. Follow the instructions on the cleaner, and wipe in the direction of the grain.

⚠ CAUTION

- If cooking oil is spilled on the exterior of the product, wipe it off immediately. Do not clean the exterior of the product with cleaners which contain alcohol, thinners, bleach, benzene, flammable liquids, or abrasives. These substances may discolor or damage the appliance.

Cleaning the Interior

- Clean the interior of the dishwasher periodically with a soft, damp cloth or sponge to remove food and dirt particles.
- To remove white spots and odor from inside the dishwasher, run an empty cycle, without detergent, with one cup of white vinegar in a dishwasher safe glass or bowl placed on the upper rack. (Vinegar is an acid and with constant use it could damage the appliance.)
- Using **Machine Clean**
 - Run the Machine Clean cycle once a month or after every 30 cycles to eliminate residual soil, odor, white spots and other dirt inside the appliance.

1 Remove all dishes from the appliance.

2 Add 3 tbsp. (40 g) of citric acid to the detergent dispenser or follow the manufacturer's instructions if using a dishwasher cleaning agent. Do not use dishwasher detergent.

3 Press **Machine Clean** to select the **Machine Clean** cycle.

4 Press **Start**.

NOTE

- Run the **Machine Clean** cycle once a month, or more often if needed, to remove detergent buildup and other residue.
- If you have not used the dishwasher for a long time, refresh the inside by running the **Machine Clean** cycle without detergent. When the cycle is finished, clean the inside and outside of the dishwasher according to the **MAINTENANCE** instructions.

Clogged Drain Air Gap or In-Sink Disposal

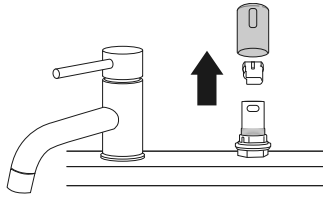
Check the drain air gap or in-sink disposal if the dishwasher is not draining well.

NOTE

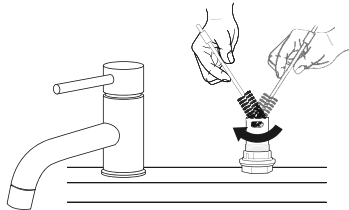
- The drain air gap and disposal are external plumbing devices that are not part of the dishwasher.
- The warranty provided with the dishwasher does not cover service costs directly associated with the cleaning or repair of the external drain air gap and disposal.

Cleaning the Air Gap

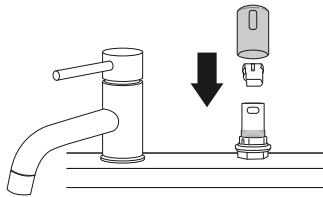
- 1 Turn off the dishwasher.
- 2 Remove the air gap cover and the plastic cap underneath it.



- 3 Clean out any debris with a toothpick or brush.

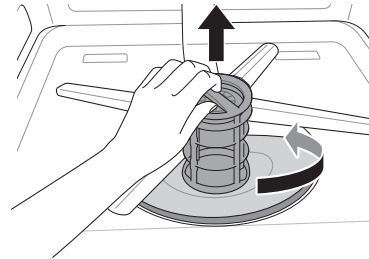


- 4 Replace the plastic cap and air gap cover.

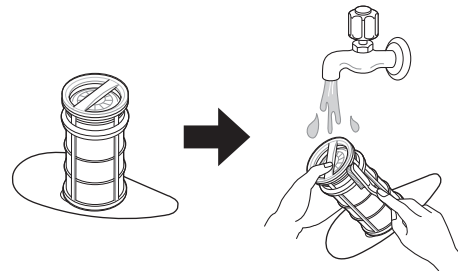


- Clean the filters using non-abrasive materials and warm running water.

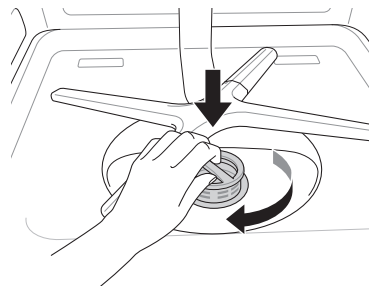
- 1 Remove the lower rack and position the bottom spray arm so a wider vee is open to the front.
- 2 Turn the inner filter counter-clockwise and take out the assembled inner filter and stainless steel filter. With the filters removed, check the sump opening and remove any foreign materials, if needed.



- 3 Clean the filters with a soft brush under running water. Reassemble the filters before reinstalling them.



- 4 To replace the assembled filters, position the spray arm so the wider vee is toward the front. Fit the filters back into the filter holder and secure them by turning the inner filter clockwise until it clicks into place.



Cleaning the Filters

⚠ WARNING

- Be cautious of sharp edges when handling the stainless steel filter.

⚠ CAUTION

- Remove food residue caught in filters to prevent the buildup of odor-causing bacteria and possible drainage problems.

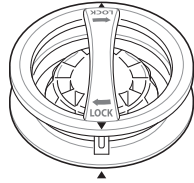
NOTE

- For best wash performance, clean the filter after each load. If food debris remains in the filter, it may cause an odor.
- In areas with hard water, clean the filter at least once a month with a soft brush.

40 MAINTENANCE

NOTE

- Make sure the filter is assembled correctly before starting a cycle. When assembling, rotate the filter firmly until it clicks.



Recommended Filter Cleaning Schedule

Number of Loads Per Week	If you wash dishes before loading	If you scrape and rinse dishes before loading
1 - 3	Every 6 months	Once a year
4 - 7		
8 - 12		Every 6 months
13 - 14		

Number of Loads Per Week	If you only scrape dishes before loading	If you do not scrape or rinse dishes before loading
1 - 3	Four times a year	Once a month
4 - 7		Twice a month (every 15 days)
8 - 12	Every 1.5 months	Every week
13 - 14		Twice a week

Cleaning the Spray Arm

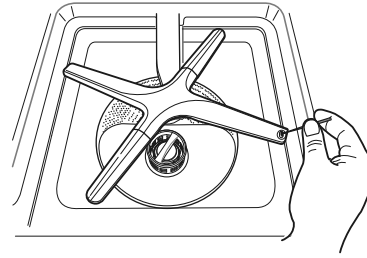
If the spray arm holes are blocked by any food residue, dishes may not be cleaned well due to improper water spray.

It is recommended that the spray arms be cleaned once every two weeks.

Cleaning the Lower Spray Arm

- 1 Make sure that the water jet holes are not blocked by food particles.

- 2 If any food residue blocks the spray arm holes, remove it with a pin or piece of stiff wire.

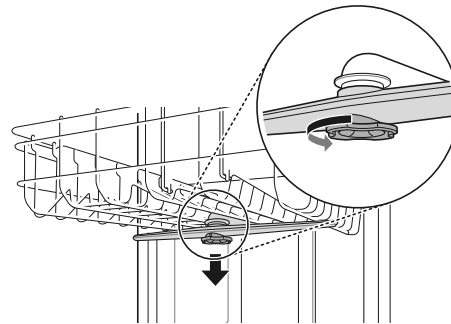


CAUTION

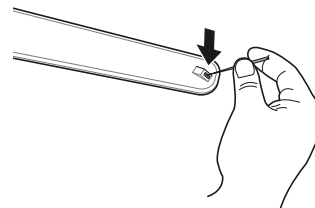
- To avoid breaking the rolling spray arm sections, do not pull or manually rotate them.

Cleaning the Upper Spray Arm

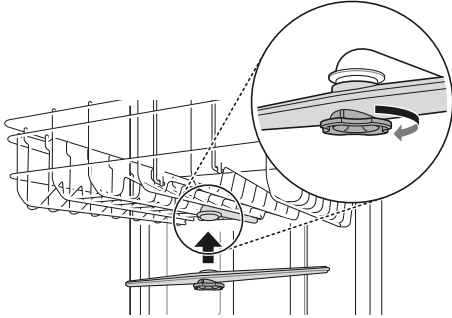
- 1 Pull the upper rack forward. Make sure that the water jet holes are not blocked by food particles.
- 2 When cleaning is necessary, remove the upper spray arm by turning the nut on the bottom of the spray arm 1/8 turn counter-clockwise and pulling down.



- 3 Remove food particles by rinsing or shaking the spray arm.
- 4 If any food residue blocks the spray arm holes, remove it with a pin or any sharp tool.



- 5 After removing the food residue, clean the spray arms under running water.
- 6 After cleaning the upper spray arm, press it up into place. Turn the nut 1/8 turn clockwise to make sure that the nut locks back into place.



- 7 After assembly, make sure that the spray arms rotate freely.

Seasonal Maintenance and Storage

- If you will be absent for an extended period of time during warmer months, close the water valve and disconnect the power supply line, or turn off the circuit breaker. Clean the filter, tub and dispenser to prevent odor.
- If you will be absent for an extended period of time during colder months and there is a possibility of freezing temperatures, winterize the water supply lines and the dishwasher itself. Winterization must be performed by qualified service personnel.

42 TROUBLESHOOTING

TROUBLESHOOTING

The washer is equipped with an automatic error-monitoring system to detect and diagnose problems at an early stage. If the washer does not function properly or does not function at all, check the following before you call for service.

Before Calling for Service

For more troubleshooting, refer to the online owner's manual.

User Support Videos

For further assistance, there are videos and tutorials available through the LG.com website.

- 1 On the **www.lg.com** home page, click on the **Support** menu tab to bring up the menu selections. Select **Video Tutorials**.
- 2 Select a product category and then pick a topic or search a keyword.

NOTE

- Scan this QR code to quickly access the video search page on the LG website.



Error Messages

Problem	Possible Cause & Solution
I E	<p>Water inlet problem.</p> <ul style="list-style-type: none"> • Check for a clogged, kinked or frozen water inlet hose. • Check water supply.
OE	<p>Drainage Problem.</p> <ul style="list-style-type: none"> • Check for a clogged, kinked or frozen water drain hose.
	<p>Air gap or disposal is clogged.</p> <ul style="list-style-type: none"> • Clean air gap or disposal.
	<p>Filters are clogged.</p> <ul style="list-style-type: none"> • Clean filters.
bE	<p>Oversudsing caused by improper detergent, such as liquid dish soap.</p> <ul style="list-style-type: none"> • Do not use hand dishwashing liquids. Only use detergents which are designed for use in automatic dishwashers. • To remove detergent residue in the tub, pour approximately 4 oz ~ 8 oz (100 ml ~ 200 ml) of milk into a shallow bowl, place it in the upper rack and then run the appliance on the Auto cycle.
	<p>Failure to level dishwasher.</p> <ul style="list-style-type: none"> • Make sure that the appliance is properly leveled.

Problem	Possible Cause & Solution
RE	<p>Water leakage</p> <ul style="list-style-type: none"> • Turn off the water supply to the dishwasher and call an LG Electronics Customer Information Center at 1-800-243-0000 (U.S.A.) or 1-888-542-2623 (Canada). • The dishwasher makes an alert sound for 10 seconds, and runs the drain pump intermittently. If power is turned off to the machine, the machine powers back on automatically until the AE error is resolved.
FE	<p>Excessive Water supplied.</p> <ul style="list-style-type: none"> • Please call an LG Electronics Customer Information Center at 1-800-243-0000 (U.S.A.) 1-888-542-2623 (Canada).
HE	<p>Heater circuit failure.</p> <ul style="list-style-type: none"> • Please call an LG Electronics Customer Information Center at 1-800-243-0000 (U.S.A.) 1-888-542-2623 (Canada).
EE	<p>Water temperature sensor error</p> <ul style="list-style-type: none"> • Please call an LG Electronics Customer Information Center at 1-800-243-0000 (U.S.A.) 1-888-542-2623 (Canada).
LE	<p>Wash motor error</p> <ul style="list-style-type: none"> • Please call an LG Electronics Customer Information Center at 1-800-243-0000 (U.S.A.) 1-888-542-2623 (Canada).
nE	<p>Vario motor error</p> <ul style="list-style-type: none"> • Please call an LG Electronics Customer Information Center at 1-800-243-0000 (U.S.A.) 1-888-542-2623 (Canada).
P 1, P2, P3, P4	<p>The Download Cycle is selected.</p> <ul style="list-style-type: none"> • This is not an error code. This code indicates the current Download Cycle.
n:#, U:#, d:#, t# (# is a number.)	<p>Test mode is selected.</p> <ul style="list-style-type: none"> • This is not an error code. This code is used when testing the dishwasher. Power the unit off and on and the code will disappear.
L0, L 1, L2, L3, L4	<p>Rinse aid level setting mode is selected.</p> <ul style="list-style-type: none"> • This is not an error code. This code indicates the current rinse aid level. For more information, refer to the Adding Cleaning Products section.
H0, H 1, H2, H3, H4	<p>Softener Hardness Level setting mode is selected.</p> <ul style="list-style-type: none"> • This is not an error code. This code indicates the current softener hardness level. For more information, refer to the Setting the Water Softening System section.
CL	<p>Control Lock is activated.</p> <ul style="list-style-type: none"> • This is not an error code. This code indicates that the control lock is activated. Press and hold Delay Start for three seconds.

Wi-Fi

Problem	Possible Cause & Solution
Trouble connecting appliance and smartphone to Wi-Fi network	<p>The password for the Wi-Fi network was entered incorrectly.</p> <ul style="list-style-type: none"> • Delete your home Wi-Fi network and begin the connection process again.
	<p>Mobile data for your smartphone is turned on.</p> <ul style="list-style-type: none"> • Turn off the Mobile data on your smartphone before connecting the appliance.

44 TROUBLESHOOTING

Problem	Possible Cause & Solution
Trouble connecting appliance and smartphone to Wi-Fi network	The wireless network name (SSID) is set incorrectly. <ul style="list-style-type: none"> The wireless network name (SSID) should be a combination of English letters and numbers. (Do not use special characters.)
	The router frequency is not 2.4 GHz. <ul style="list-style-type: none"> Only a 2.4 GHz router frequency is supported. Set the wireless router to 2.4 GHz and connect the appliance to the wireless router. To check the router frequency, check with your Internet service provider or the router manufacturer.
	The appliance and the router are too far apart. <ul style="list-style-type: none"> If the appliance is too far from the router, the signal may be weak and the connection may not be configured correctly. Move the router closer to the appliance or purchase and install a Wi-Fi repeater.
	During Wi-Fi setup, the app is requesting a password to connect to the product (on certain phones). <ul style="list-style-type: none"> Locate the network name which starts with "LG" under Settings > Networks. Note the last part of the network name. <ul style="list-style-type: none"> If the network name looks like LGE_Appliance_XX-XX-XX, enter lge12345. If the network name looks like LGE_Appliance_XXXX, enter XXXX twice as your password. For example, if the network name appears as LGE_Appliance_8b92, then you would enter 8b928b92 as your password. In this instance, the password is case sensitive and the last 4 characters are unique to your appliance.

LIMITED WARRANTY

USA

TERMS AND CONDITIONS

ARBITRATION NOTICE: THIS LIMITED WARRANTY CONTAINS AN ARBITRATION PROVISION THAT REQUIRES YOU AND LG ELECTRONICS (“LG”) TO RESOLVE DISPUTES BY BINDING ARBITRATION INSTEAD OF IN COURT, UNLESS YOU CHOOSE TO OPT OUT. IN ARBITRATION, CLASS ACTIONS AND JURY TRIALS ARE NOT PERMITTED. PLEASE SEE THE SECTION TITLED “PROCEDURE FOR RESOLVING DISPUTES” BELOW.

Should your LG Dishwasher (“Product”) fail due to a defect in materials or workmanship under normal and proper use, during the warranty period set forth below, LG will, at its option, repair or replace the Product. This limited warranty is valid only to the original retail purchaser of the Product (“You”) and applies only when purchased lawfully and used within the United States including U.S. Territories.

Warranty Period	Scope of Warranty	HOW SERVICE IS HANDLED
Two (2) years from date of original retail purchase	Labor / Parts	LG will also provide, free of charge, all labor and on-site service to replace the defective part.
Five (5) years from date of original retail purchase	Main control board†/ Racks / Stainless Steel Door Liner / Tub	Main control board, dishwasher racks, stainless steel door liner, tub. Customer will be responsible for any labor or in-home service to replace defective parts.
Ten (10) years from date of original retail purchase	Direct Drive Motor	Direct Drive motor. Customer will be responsible for any labor or in-home service to replace defective parts.

† Main control board is located on the bottom right of the dishwasher when viewed from the front.

- Replacement Products and parts are warranted for the remaining portion of the original warranty period or ninety (90) days, whichever is greater.
- Replacement Products and parts may be new, reconditioned, refurbished, or otherwise factory remanufactured.
- Replaced Product or part(s) will be the property of LG.
- Proof of original retail purchase specifying the Product model and date of purchase is required to obtain warranty service under this limited warranty.

EXCEPT TO THE EXTENT PROHIBITED BY APPLICABLE LAW, ANY IMPLIED WARRANTY OF MERCHANTABILITY OR FITNESS FOR A PARTICULAR PURPOSE ON THE PRODUCT IS LIMITED IN DURATION TO THE DURATION OF THE ABOVE LIMITED WARRANTY. UNDER NO CIRCUMSTANCES SHALL LG OR ITS U.S. DISTRIBUTORS/DEALERS BE LIABLE FOR ANY INDIRECT, INCIDENTAL, CONSEQUENTIAL, SPECIAL, OR PUNITIVE DAMAGES, INCLUDING, WITHOUT LIMITATION, LOST GOODWILL, LOST REVENUES OR PROFITS, WORK STOPPAGE, IMPAIRMENT OF OTHER GOODS, COST OF REMOVAL AND REINSTALLATION OF THE PRODUCT, LOSS OF USE, OR ANY OTHER DAMAGES WHETHER BASED IN CONTRACT, TORT, OR OTHERWISE. LG’S TOTAL LIABILITY, IF ANY, SHALL NOT EXCEED THE PURCHASE PRICE PAID BY YOU FOR THE PRODUCT.

SOME STATES DO NOT ALLOW THE EXCLUSION OR LIMITATION OF INCIDENTAL OR CONSEQUENTIAL DAMAGES OR LIMITATIONS ON HOW LONG AN IMPLIED WARRANTY LASTS, SO THE ABOVE EXCLUSIONS OR LIMITATIONS MAY NOT APPLY TO YOU. THIS LIMITED WARRANTY GIVES YOU SPECIFIC LEGAL RIGHTS AND YOU MAY ALSO HAVE OTHER RIGHTS THAT VARY FROM STATE TO STATE.

46 LIMITED WARRANTY

THIS LIMITED WARRANTY DOES NOT COVER:

- Service trips to deliver, pick up, or install, educate how to operate, correct wiring, or correct unauthorized repairs.
- Damage or failure of the Product to perform during power failures and interrupted or inadequate electrical service.
- Damage or failure of the Product caused by leaky or broken water pipes, frozen water pipes, restricted drain lines, inadequate or interrupted water supply or inadequate supply of air.
- Damage or failure of the Product resulting from operating the Product in a corrosive atmosphere or contrary to the Product owner's manual.
- Damage or failure of the Product caused by accidents, pests and vermin, lightning, wind, fire, floods, acts of nature, or any other causes beyond the control of LG.
- Damage or failure of the Product caused by unauthorized modification or alteration, or if the Product is used for other than the intended purpose, or any water leakage where the Product was not properly installed.
- Damage or failure of the Product caused by incorrect electrical current, voltage, or plumbing codes.
- Damage or failure of the Product caused by transportation, storage, and/or handling, including scratches, dents, chips, and/or other damage to the finish of the Product, unless such damage is reported within one (1) week of delivery.
- Damage or failure of the Product resulting from misuse, abuse, improper installation, repair, or maintenance. Improper repair includes the use of parts not authorized by LG. Improper installation or maintenance includes installation or maintenance contrary to the Product owner's manual.
- Damage or failure of the Product caused by the use of parts, components, accessories, consumable cleaning products, or any other products or services that were not authorized by LG.
- Damage or missing items to any display or open box Product.
- Refurbished Product or any Product sold "As Is", "Where Is", "With all Faults", or similar disclaimer.
- Products with original serial numbers that have been removed, altered, or cannot be readily determined.
- Increases in utility costs and additional utility expenses.
- Any noises associated with normal operation.
- Products used for other than normal and proper household use (e.g., commercial or industrial use) or contrary to the Product owner's manual.
- Costs associated with removal and reinstallation of the Product for repairs, or the removal and reinstallation of the Product if it is installed in an inaccessible location or not installed in accordance with the Product Owner's manual.
- Accessories, removable components, or consumable parts (e.g. Shelves, door bins, drawers, water/air filters, racks, light bulbs, batteries, etc., as applicable), except for internal/functional parts covered under this limited warranty.

The cost of repair or replacement under these excluded circumstances shall be borne by You.

TO OBTAIN WARRANTY SERVICE AND ADDITIONAL INFORMATION

Call 1-800-243-0000 and select the appropriate option from the menu.

Or visit our website at <http://www.lg.com>

Or by mail: LG Electronics Customer Service P.O. Box 240007 Huntsville, AL 35813 ATTN: CIC

PROCEDURE FOR RESOLVING DISPUTES:

ALL DISPUTES BETWEEN YOU AND LG ARISING OUT OF OR RELATING IN ANY WAY TO THIS LIMITED WARRANTY OR THE PRODUCT SHALL BE RESOLVED EXCLUSIVELY THROUGH BINDING ARBITRATION, AND NOT IN A COURT OF GENERAL JURISDICTION. BINDING ARBITRATION MEANS THAT YOU AND LG ARE EACH WAIVING THE RIGHT TO A JURY TRIAL AND TO BRING OR PARTICIPATE IN A CLASS ACTION.

Definitions. For the purposes of this section, references to "LG" mean LG Electronics U.S.A., Inc., its parents, subsidiaries and affiliates, and each of their officers, directors, employees, agents, beneficiaries,

predecessors in interest, successors, assigns and suppliers; references to “dispute” or “claim” shall include any dispute, claim or controversy of any kind whatsoever (whether based in contract, tort, statute, regulation, ordinance, fraud, misrepresentation or any other legal or equitable theory) arising out of or relating in any way to the sale, condition or performance of the product or this Limited Warranty.

Notice of Dispute. In the event you intend to commence an arbitration proceeding, you must first notify LG in writing at least 30 days in advance of initiating the arbitration by sending a letter to LG at LG Electronics, USA, Inc. Attn: Legal Department- Arbitration 111 Sylvan Avenue, Englewood Cliffs, NJ 07632. You and LG agree to engage in good faith discussions in an attempt to amicably resolve your claim. The notice must provide your name, address, and telephone number; identify the product that is the subject of the claim; and describe the nature of the claim and the relief being sought. If you and LG are unable to resolve the dispute within 30 days, either party may proceed to file a claim for arbitration.

Agreement to Binding Arbitration and Class Action Waiver. Upon failure to resolve the dispute during the 30 day period after sending written notice to LG, you and LG agree to resolve any claims between us only by binding arbitration on an individual basis, unless you opt out as provided below. Any dispute between you and LG shall not be combined or consolidated with a dispute involving any other person's or entity's product or claim. More specifically, without limitation of the foregoing, any dispute between you and LG shall not under any circumstances proceed as part of a class or representative action. Instead of arbitration, either party may bring an individual action in small claims court, but that small claims court action may not be brought on a class or representative basis.

Arbitration Rules and Procedures. To begin arbitration of a claim, either you or LG must make a written demand for arbitration. The arbitration will be administered by the American Arbitration Association (“AAA”) and will be conducted before a single arbitrator under the AAA's Consumer Arbitration Rules that are in effect at the time the arbitration is initiated (referred to as the “AAA Rules”) and under the procedures set forth in this section. The AAA Rules are available online at www.adr.org/consumer. Send a copy of your written demand for arbitration, as well as a copy of this provision, to the AAA in the manner described in the AAA Rules. You must also send a copy of your written demand to LG at LG Electronics, USA, Inc. Attn: Legal Department- Arbitration 111 Sylvan Avenue, Englewood Cliffs, NJ 07632. If there is a conflict between the AAA Rules and the rules set forth in this section, the rules set forth in this section will govern. This arbitration provision is governed by the Federal Arbitration Act. Judgment may be entered on the arbitrator's award in any court of competent jurisdiction. All issues are for the arbitrator to decide, except that issues relating to the scope and enforceability of the arbitration provision and to the arbitrability of the dispute are for the court to decide. The arbitrator is bound by the terms of this provision.

Governing Law. The law of the state of your residence shall govern this Limited Warranty and any disputes between us except to the extent that such law is preempted by or inconsistent with applicable federal law.

Fees/Costs. You do not need to pay any fee to begin an arbitration. Upon receipt of your written demand for arbitration, LG will promptly pay all arbitration filing fees to the AAA unless you seek more than \$25,000 in damages, in which case the payment of these fees will be governed by the AAA Rules. Except as otherwise provided for herein, LG will pay all AAA filing, administration and arbitrator fees for any arbitration initiated in accordance with the AAA Rules and this arbitration provision. If you prevail in the arbitration, LG will pay your attorneys' fees and expenses as long as they are reasonable, by considering factors including, but not limited to, the purchase amount and claim amount. Notwithstanding the foregoing, if applicable law allows for an award of reasonable attorneys' fees and expenses, an arbitrator can award them to the same extent that a court would. If the arbitrator finds either the substance of your claim or the relief sought in the demand is frivolous or brought for an improper purpose (as measured by the standards set forth in Federal Rule of Civil Procedure 11(b)), then the payment of all arbitration fees will be governed by the AAA Rules. In such a situation, you agree to reimburse LG for all monies previously disbursed by it that are otherwise your obligation to pay under the AAA Rules. Except as otherwise provided for, LG waives any rights it may have to seek attorneys' fees and expenses from you if LG prevails in the arbitration.

Hearings and Location. If your claim is for \$25,000 or less, you may choose to have the arbitration conducted solely on the basis of (1) documents submitted to the arbitrator, (2) through a telephonic hearing, or (3) by an in-person hearing as established by the AAA Rules. If your claim exceeds \$25,000, the right to a hearing will be determined by the AAA Rules. Any in-person arbitration hearings will be held at a location within the federal judicial district in which you reside unless we both agree to another location or we agree to a telephonic arbitration.

48 LIMITED WARRANTY

Opt Out. You may opt out of this dispute resolution procedure. If you opt out, neither you nor LG can require the other to participate in an arbitration proceeding. To opt out, you must send notice to LG no later than 30 calendar days from the date of the first consumer purchaser's purchase of the product by either: (i) sending an e-mail to optout@lge.com, with the subject line: "Arbitration Opt Out" or (ii) calling 1-800-980-2973. You must include in the opt out e-mail or provide by telephone: (a) your name and address; (b) the date on which the product was purchased; (c) the product model name or model number; and (d) the serial number (the serial number can be found (i) on the product; or (ii) online by accessing <https://www.lg.com/us/support/repair-service/schedule-repair-continued> and clicking on "Find My Model & Serial Number").

You may only opt out of the dispute resolution procedure in the manner described above (that is, by e-mail or telephone); no other form of notice will be effective to opt out of this dispute resolution procedure. Opting out of this dispute resolution procedure will not affect the coverage of the Limited Warranty in any way, and you will continue to enjoy the full benefits of the Limited Warranty. If you keep this product and do not opt out, then you accept all terms and conditions of the arbitration provision described above.

CANADA

TERMS AND CONDITIONS

ARBITRATION NOTICE: THIS LIMITED WARRANTY CONTAINS AN ARBITRATION PROVISION THAT REQUIRES YOU AND LG TO RESOLVE DISPUTES BY BINDING ARBITRATION INSTEAD OF IN COURT, UNLESS THE LAWS OF YOUR PROVINCE OR TERRITORY DO NOT PERMIT THAT, OR, IN OTHER JURISDICTIONS, IF YOU CHOOSE TO OPT OUT. IN ARBITRATION, CLASS ACTIONS AND JURY TRIALS ARE NOT PERMITTED. PLEASE SEE THE SECTION TITLED "PROCEDURE FOR RESOLVING DISPUTES" BELOW.

Should your LG Dishwasher ("Product") fail due to a defect in materials or workmanship under normal and proper use, during the warranty period set forth below, LG Electronics Canada, Inc. ("LGECI") will, at its option, repair, replace or pro rate the Product upon receipt of proof of the original retail purchase. This limited warranty is valid only to the original retail purchaser of the Product and applies only to a Product distributed, purchased from an authorized retailer and used within Canada, as determined at the sole discretion of LGECI.

WARRANTY PERIOD: (Note: If the original date of purchase can not be verified, the warranty will begin sixty (60) days from the date of manufacture.)		
Dishwasher	Extended Component Warranty (Parts Only) (Consumer will be charged for Labor after One (1) year from the date of purchase.)	
Two (2) years from the date of original retail purchase	Five (5) years from the date of original retail purchase	Ten (10) years from the date of original retail purchase
Labor / Parts (internal/functional parts only)	Main control board [†] , Rack, Stainless Steel Door Liner, Tub	DD Motor

[†] Main control board is located on the right bottom of the Dishwasher when viewed from the front.

- Replacement products and parts are warranted for the remaining portion of the original warranty period or ninety (90) days, whichever is greater.
- Replacement products and parts may be new, reconditioned, refurbished, or otherwise factory remanufactured, all at the sole discretion of LGECI.
- Proof of original retail purchase specifying the Product model and date of purchase is required to obtain warranty service under this Limited Warranty.

LGECI'S SOLE LIABILITY IS LIMITED TO THE LIMITED WARRANTY SET OUT ABOVE. EXCEPT AS EXPRESSLY PROVIDED ABOVE, LGECI MAKES NO, AND HEREBY DISCLAIMS, ALL OTHER WARRANTIES AND CONDITIONS RESPECTING THE PRODUCT, WHETHER EXPRESS OR IMPLIED, INCLUDING BUT NOT LIMITED TO, ANY IMPLIED WARRANTY OR CONDITION OF MERCHANTABILITY OR FITNESS FOR A PARTICULAR PURPOSE, AND NO REPRESENTATIONS SHALL BE BINDING ON LGECI. LGECI DOES NOT AUTHORIZE ANY PERSON TO CREATE OR ASSUME FOR IT ANY OTHER WARRANTY OBLIGATION OR LIABILITY IN CONNECTION WITH THE PRODUCT. TO THE EXTENT THAT ANY WARRANTY OR CONDITION IS IMPLIED BY LAW, IT IS LIMITED TO THE WARRANTY PERIOD SET OUT ABOVE. UNDER NO CIRCUMSTANCES SHALL LGECI, THE MANUFACTURER OR DISTRIBUTOR OF THE PRODUCT, BE LIABLE FOR ANY INCIDENTAL, CONSEQUENTIAL, SPECIAL, DIRECT, INDIRECT, PUNITIVE OR EXEMPLARY DAMAGES, INCLUDING, WITHOUT LIMITATION, LOSS OF GOODWILL, LOST PROFITS, LOSS OF ANTICIPATED PROFITS, LOST REVENUE, LOSS OF USE, OR ANY OTHER DAMAGE, WHETHER ARISING DIRECTLY OR INDIRECTLY FROM ANY CONTRACTUAL BREACH, FUNDAMENTAL BREACH, TORT OR OTHERWISE, OR FROM ANY ACTS OR OMISSIONS. LGECI'S TOTAL LIABILITY, IF ANY, SHALL NOT EXCEED THE PURCHASE PRICE PAID BY YOU FOR THE PRODUCT.

This Limited Warranty gives you specific legal rights. You may also have other rights that vary from province to province depending on applicable provincial laws. Any term of this Limited Warranty that negates or varies any implied condition or warranty under provincial law is severable where it conflicts with such provincial law without affecting the remainder of this warranty's terms.

50 LIMITED WARRANTY

THIS LIMITED WARRANTY DOES NOT COVER:

- Service trips to i) deliver, pick up, or install or; educate on how to operate the Product; ii) correct wiring or plumbing; or iii) correct unauthorized repairs or installations of the Product;
- Damage or failure of the Product to perform during power failures and interrupted or inadequate electrical service;
- Damage or failure caused by leaky or broken water pipes, frozen water pipes, restricted drain lines, inadequate or interrupted water supply or inadequate supply of air;
- Damage or failure resulting from operating the Product in a corrosive atmosphere or contrary to the instructions outlined in the Product's owner's manual;
- Damage or failure to the Product caused by accidents, pests and vermin, lightning, wind, fire, floods, acts of God, or any other causes beyond the control of LGECI or the manufacturer;
- Damage or failure resulting from misuse, abuse, improper installation, repair, or maintenance of the Product. Improper repair includes use of parts not authorized or specified by LGECI. Improper installation or maintenance includes installation or maintenance contrary to the Product's owner's manual;
- Damage or failure caused by unauthorized modification or alteration of the Product, or if used for other than the intended household purpose/use of the Product, or damage or failure resulting from any water leakage due to improper installation of the Product;
- Damage or failure caused by incorrect electrical current, voltage or plumbing codes;
- Damage or failure caused by use that is other than normal household use, including, without limitation, commercial or industrial use, including use in commercial offices or recreational facilities, or as otherwise outlined in the Product's owner's manual;
- Damage or failure caused by the use of any accessories, components or cleaning products, including, without limitation, water filters, that are not approved/authorized by LGECI;
- Damage or failure caused by transportation and handling, including scratches, dents, chips and/or other damage to the finish of the Product, unless such damage results from defects in materials or workmanship and is reported to LGECI within one (1) week of delivery of the Products;
- Damage or missing items to any display, open box, refurbished or discounted Product;
- Refurbished Product or any Product sold "As Is", "Where Is", "With all Faults", or any similar disclaimer;
- Products with original serial numbers that have been removed, altered or cannot be readily determined at the discretion of LGECI;
- Increases in utility costs and additional utility expenses in any way associated with the Product;
- Any noises associated with normal operation of the Product;
- Replacement of any part that was not originally included with the Product;
- Replacement of light bulbs, filters, fuses or any other consumable parts;
- Costs associated with removal and/or reinstallation of the Product for repairs; and
- Shelves, door bins, drawers, handle and accessories to the Product, except for internal/functional parts covered under this Limited Warranty.
- Coverage for "in Home" repairs, for products in-warranty, will be provided if the Product is within a 150 km radius from the nearest authorized service center (ASC), as determined by LG Canada. If your Product is located outside a 150 km radius from a ASC, as determined by LG Canada, it will be your responsibility to bring the Product, at your sole expense, to the ASC for in-warranty repair.

All costs and expenses associated with the above excluded circumstances, listed under the heading, This Limited Warranty Does Not Cover, shall be borne by the consumer.

TO OBTAIN WARRANTY SERVICE AND ADDITIONAL INFORMATION, PLEASE CALL OR VISIT OUR WEBSITE:

Call 1-888-542-2623 (7 A.M. to 12 A.M., 365 days a year) and select the appropriate option from the menu, or visit our website at <http://www.lg.com>

PROCEDURE FOR RESOLVING DISPUTES:

EXCEPT WHERE PROHIBITED AT LAW, ALL DISPUTES BETWEEN YOU AND LG ARISING OUT OF OR RELATING IN ANY WAY TO THIS LIMITED WARRANTY OR THE PRODUCT SHALL BE RESOLVED EXCLUSIVELY THROUGH BINDING ARBITRATION, AND NOT IN A COURT OF GENERAL JURISDICTION. EXCEPT WHERE PROHIBITED AT LAW, YOU AND LG BOTH IRREVOCABLY AGREE TO WAIVE THE RIGHT TO A JURY TRIAL AND TO BRING OR PARTICIPATE IN A CLASS ACTION.

Definitions. For the purposes of this section, references to “LG” mean LG Electronics Canada, Inc., its parents, subsidiaries and affiliates, and each of their officers, directors, employees, agents, beneficiaries, predecessors in interest, successors, assigns and suppliers; references to “dispute” or “claim” shall include any dispute, claim or controversy of any kind whatsoever (whether based in contract, tort, statute, regulation, ordinance, fraud, misrepresentation or any other legal or equitable theory) arising out of or relating in any way to the sale, condition or performance of the product or this Limited Warranty.

Notice of Dispute. In the event you intend to commence an arbitration proceeding, you must first notify LG in writing at least 30 days in advance of initiating the arbitration by sending a letter to LGECI Legal Team at 20 Norelco Drive, North York, Ontario, Canada M9L 2X6 (the “Notice of Dispute”). You and LG agree to engage in good faith discussions in an attempt to amicably resolve your claim. The notice must provide your name, address, and telephone number; identify the product that is the subject of the claim; and describe the nature of the claim and the relief being sought. If you and LG are unable to resolve the dispute within 30 days of LG’s receipt of the Notice of Dispute, the dispute shall be resolved by binding arbitration in accordance with the procedure set out herein. You and LG both agree that, during the arbitration proceeding, the terms (including any amount) of any settlement offer made by either you or LG will not be disclosed to the arbitrator until the arbitrator determines the dispute.

Agreement to Binding Arbitration and Class Action Waiver. Upon failure to resolve the dispute during the 30 day period after LG’s receipt of the Notice of Dispute, you and LG agree to resolve any claims between you and LG only by binding arbitration on an individual basis, unless you opt out as provided below, or you reside in a jurisdiction that prevents full application of this clause in the circumstances of the claims at issue (in which case if you are a consumer, this clause will only apply if you expressly agree to the arbitration). To the extent permitted by applicable law, any dispute between you and LG shall not be combined or consolidated with a dispute involving any other person’s or entity’s product or claim. More specifically, without limitation of the foregoing, except to the extent such a prohibition is not permitted at law, any dispute between you and LG shall not under any circumstances proceed as part of a class or representative action. Instead of arbitration, either party may bring an individual action in small claims court, but that small claims court action may not be brought on a class or representative basis except to the extent this prohibition is not permitted at law in your province or territory of jurisdiction as it relates to the claims at issue between you and LG.

Arbitration Rules and Procedures. To begin arbitration of a claim, either you or LG must make a written demand for arbitration. The arbitration will be private and confidential, and conducted on a simplified and expedited basis before a single arbitrator chosen by the parties under the provincial or territorial commercial arbitration law and rules of the province or territory of your residence. You must also send a copy of your written demand to LG at LG Electronics, Canada, Inc., Attn: Legal Department- Arbitration, 20 Norelco Drive, North York, Ontario M9L 2X6. This arbitration provision is governed by your applicable provincial or territorial commercial arbitration legislation. Judgment may be entered on the arbitrator’s award in any court of competent jurisdiction. All issues are for the arbitrator to decide, except that, issues relating to the scope and enforceability of the arbitration provision and to the arbitrability of the dispute are for the court to decide. The arbitrator is bound by the terms of this provision.

Governing Law. The law of the province or territory of your purchase shall govern this Limited Warranty and any disputes between you and LG except to the extent that such law is preempted by or inconsistent with applicable federal or provincial/territorial law. Should arbitration not be permitted for any claim, action, dispute or controversy between you and LG, you and LG attorn to the exclusive jurisdiction of the courts of the province or territory of your purchase for the resolution of the claim, action, dispute or controversy between you and LG.

Fees/Costs. You do not need to pay any fee to begin an arbitration. Upon receipt of your written demand for arbitration, LG will promptly pay all arbitration filing fees unless you seek more than \$25,000 in damages, in which case the payment of these fees will be governed by the applicable arbitration rules. Except as otherwise provided for herein, LG will pay all filing, administration and arbitrator fees for any arbitration initiated in accordance with the applicable arbitration rules and this arbitration provision. If you prevail in the arbitration, LG will pay your attorneys’ fees and expenses as long as they are reasonable, by

52 LIMITED WARRANTY

considering factors including, but not limited to, the purchase amount and claim amount. Notwithstanding the foregoing, if applicable law allows for an award of reasonable attorneys' fees and expenses, an arbitrator can award them to the same extent that a court would. If the arbitrator finds either the substance of your claim or the relief sought in the demand is frivolous or brought for an improper purpose (as measured by the applicable laws), then the payment of all arbitration fees will be governed by the applicable arbitration rules. In such a situation, you agree to reimburse LG for all monies previously disbursed by it that are otherwise your obligation to pay under the applicable arbitration rules. Except as otherwise provided for, LG waives any rights it may have to seek attorneys' fees and expenses from you if LG prevails in the arbitration.

Hearings and Location. If your claim is for \$25,000 or less, you may choose to have the arbitration conducted solely (1) on the basis of documents submitted to the arbitrator, (2) through a telephonic hearing, or (3) by an in-person hearing as established by the applicable arbitration rules. If your claim exceeds \$25,000, the right to a hearing will be determined by the applicable arbitration rules. Any in-person arbitration hearings will be held at the nearest, most mutually-convenient arbitration location available within the province or territory in which you reside unless you and LG both agree to another location or agree to a telephonic arbitration.

Severability and Waiver. If any portion of this Limited Warranty (including these arbitration procedures) is unenforceable, the remaining provisions will continue in full force and effect to the maximum extent permitted by applicable law. Should LG fail to enforce strict performance of any provision of this Limited Warranty (including these arbitration procedures), it does not mean that LG intends to waive or has waived any provision or part of this Limited Warranty.

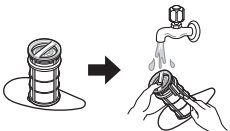
Opt Out. You may opt out of this dispute resolution procedure. If you opt out, neither you nor LG can require the other to participate in an arbitration proceeding. To opt out, you must send notice to LG no later than 30 calendar days from the date of the first consumer purchaser's purchase of the product by either (i) sending an e-mail to optout@lge.com, with the subject line: "Arbitration Opt Out;" or (ii) calling 1-800-980-2973. You must include in the opt out e-mail or provide by telephone: (a) your name and address; (b) the date on which the product was purchased; (c) the product model name or model number; and (d) the serial number (the serial number can be found (i) on the product; or (ii) online by accessing https://www.lg.com/ca_en/support/repair-service/schedule-repair and clicking on "Find My Model & Serial Number").

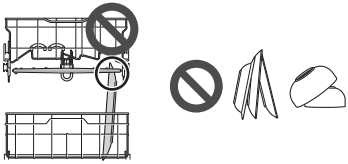
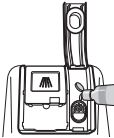


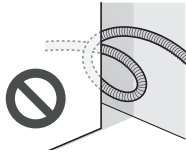
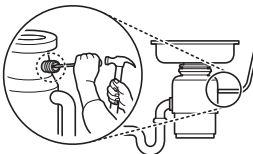
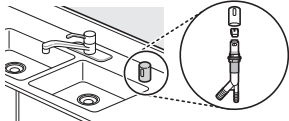
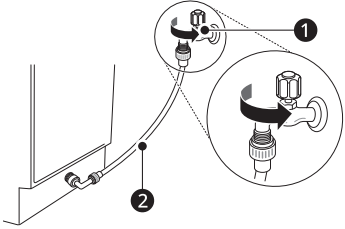
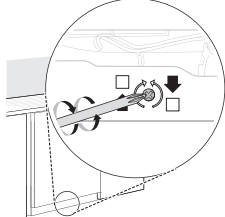
In the event that you "Opt Out", the law of the province or territory of your residence shall govern this Limited Warranty and any disputes between you and LG except to the extent that such law is preempted by or inconsistent with applicable federal or provincial/territorial law. Should arbitration not be permitted for any claim, action, dispute or controversy between you and LG, you and LG agree to attorn to the exclusive jurisdiction of the courts of the province or territory of your residence for the resolution of the claim, action, dispute or controversy between you and LG.

You may only opt out of the dispute resolution procedure in the manner described above (that is, by e-mail or telephone); no other form of notice will be effective to opt out of this dispute resolution procedure. Opting out of this dispute resolution procedure will not affect the coverage of the Limited Warranty in any way, and you will continue to enjoy the full benefits of the Limited Warranty. If you keep this product and do not opt out, then you accept all terms and conditions of the arbitration provision described above.

Conflict of Terms. In the event of a conflict or inconsistency between the terms of this Limited Warranty and the End User License Agreement ("EULA") in regards to dispute resolution, the terms of this Limited Warranty shall control and govern the rights and obligations of the parties and shall take precedence over the EULA.

Warranty Exceptions

<p>Poor wash results caused by debris remaining in the filter.</p>		<p>Clean the filter regularly.</p>
--	---	------------------------------------

<p>Poor wash results caused by improper loading or over stacking: wash arm won't rotate or soap dispenser is held closed.</p>		<p>Make certain that no dishes or utensils are in the path of the spray arms. Do not place one dish on top of another.</p>
<p>Poor drying results caused by lack of rinse aid.</p>		<p>Use rinse aid or combination detergent.</p>
<p>Water is not supplied because the water tap is not turned on. IE error</p>		<p>Check and turn on the water tap.</p>
<p>Water is not supplied because the inlet hose is kinked. IE error</p>		<p>Reinstall the inlet hose.</p>
<p>Not draining because drain hose is kinked. OE error</p>		<p>Reinstall the drain hose.</p>
<p>The knockout plug in the garbage disposal is not removed. OE error</p>		<p>Remove the plug on the disposal.</p>
<p>The disposal or air gap is blocked by debris. OE error</p>		<p>Clean the disposal or the air gap.</p>
<p>Inlet valve and drain hose connection problem caused by improper installation. External leakage</p>	 <p> 1 Water tap 2 Water supply hose </p>	<p>Reinstall the hose.</p>
<p>Door movement or closing compromised by incorrect leveling.</p>		<p>Adjust the lower front leveling feet to the required height.</p>

54 LIMITED WARRANTY

No power due to loose connection of power cord or electrical outlet problem.		Reconnect the power cord or repair the electrical outlet.
Pick-up, electrical wiring, plumbing. Installation		You will be charged for the installation.



Escanee el código QR para ver el manual.



MANUAL DEL PROPIETARIO

LAVAVAJILLAS

Lea el manual del propietario detenidamente previo a operar el electrodoméstico y mantengalo al alcance para futuras referencias. Este manual del propietario abreviado aborda la seguridad del usuario, las precauciones y la información de instalación.

Para ver el manual del propietario completo, puede

1. Manual en línea: visite el sitio web de LG en: <http://gscs-manual.lge.com/Total/HQ/GatewayPage/main.html> o escanee el código QR que se encuentra en la parte superior; o
2. Manual en PDF imprimible: Visite lg.com y busque su número de modelo; o
3. Llame o escriba al servicio de atención al cliente según lo dispuesto en su Garantía limitada.

ESPAÑOL

SDWD24P3

www.lg.com

Copyright © 2022 LG Electronics Inc. Todos los derechos reservados

2

ÍNDICE

3 INSTRUCCIONES IMPORTANTES DE SEGURIDAD

- 3 LEA TODAS LAS INSTRUCCIONES ANTES DE UTILIZAR
- 3 MENSAJES DE ADVERTENCIA
- 6 MENSAJES DE PRECAUCIÓN

8 DESCRIPCIÓN GENERAL DEL PRODUCTO

- 8 Características del producto

10 INSTALACIÓN

- 10 Antes de la instalación
- 11 Preparación de la abertura para el gabinete
- 13 Preparación del lavavajillas
- 14 Preparación de las conexiones eléctricas y de agua
- 16 Deslizamiento del lavavajillas en la abertura del gabinete
- 17 Conexión de la línea de suministro de agua y energía eléctrica
- 17 Conexión de la manguera de desagüe
- 19 Nivelado del lavavajillas
- 21 Fijación del panel del gabinete al lavavajillas
- 23 Sujeción del lavavajillas en la abertura del gabinete
- 25 Verificación final de la instalación

27 FUNCIONAMIENTO

- 27 Antes de usar
- 30 Panel de control
- 31 Ciclos de lavado
- 32 Opciones y funciones adicionales
- 33 Carga del lavavajillas
- 34 Carga en el cesto para cubiertos
- 34 Carga en la bandeja inferior
- 35 Carga en la bandeja superior
- 36 Carga del estante de cubiertos
- 36 Agregado de productos de limpieza

38 FUNCIONES INTELIGENTES

- 38 Aplicación LG ThinQ

42 MANTENIMIENTO

- 42 Limpieza y cuidado

46 SOLUCIÓN DE PROBLEMAS

- 46 Antes de llamar al servicio técnico

49 GARANTÍA LIMITADA

- 49 EE. UU.

INSTRUCCIONES IMPORTANTES DE SEGURIDAD

LEA TODAS LAS INSTRUCCIONES ANTES DE UTILIZAR

ESPAÑOL

Mensajes de seguridad

Su seguridad y la de los demás son muy importantes.

Tanto en este manual como en el equipo, hemos proporcionado muchos mensajes de seguridad importantes. Siempre debe leer y respetar todos los mensajes de seguridad.



Este es el símbolo de alerta de seguridad.

Este símbolo le advierte sobre posibles riesgos que pueden ocasionar lesiones o la muerte a usted o a otros. El símbolo de alerta de seguridad siempre estará acompañado de las palabras "ADVERTENCIA" o "PRECAUCIÓN" y seguido de un mensaje de seguridad importante.

Estos términos significan lo siguiente:



ADVERTENCIA

El incumplimiento de las instrucciones podría causarle la muerte o lesiones graves.



PRECAUCIÓN

El incumplimiento de las instrucciones podría causarle lesiones o daños al producto.

Todos los mensajes de seguridad le indicarán cuáles son los peligros potenciales, cómo reducir la posibilidad de lesiones y qué podría suceder si no sigue las instrucciones.

MENSAJES DE ADVERTENCIA

ADVERTENCIA

- Para disminuir el riesgo de explosiones, incendios, descargas eléctricas, quemaduras, lesiones o muerte para las personas que usen este artefacto, siga las precauciones básicas, incluidas las siguientes:

Instalación

- Debe conectarse a un circuito de alimentación de clasificación y tamaño adecuados y debidamente protegido para evitar la sobrecarga eléctrica.
- Para reducir el riesgo de lesiones graves o muerte, siga todas las instrucciones de instalación.
- El artefacto debe ser instalado y conectado a tierra por personal de servicio calificado, de acuerdo con los códigos locales.
- Desconecte la línea de alimentación, el fusible del hogar o el interruptor de corriente antes de instalar o reparar el artefacto.
- Cuando traslade o instale el producto en un lugar diferente, llame a personal de servicio calificado para la instalación y el mantenimiento.
- Mantenga los materiales de empaque fuera del alcance de los niños. Los materiales de empaque pueden ser peligrosos para los niños. Corren riesgo de asfixia.
- El traslado o la instalación del artefacto requieren de dos o más personas.
- Este artefacto no ha sido diseñado para ser usado en embarcaciones o instalaciones móviles, tales como casas rodantes, remolques o aeronaves.
- Almacene e instale el artefacto donde no esté expuesto a temperaturas bajo cero ni a la intemperie.
- Debe posicionar este artefacto cerca de una fuente de suministro eléctrico.
- En ninguna circunstancia debe cortar o quitar la tercera clavija (tierra) de la línea de alimentación.

4 INSTRUCCIONES IMPORTANTES DE SEGURIDAD

- Cuando traslade o instale el aparato, tenga especial cuidado en no apretar, aplastar o dañar la línea de alimentación.
- No instale el artefacto en lugares húmedos.
- Destruya el cartón, la bolsa de plástico y los demás materiales de empaque luego de desempacar el artefacto. Estos materiales podrían utilizarlos los niños para jugar. Las cajas de cartón cubiertas con tapetes, colchas o láminas plásticas pueden convertirse en cámaras herméticas.
- Nunca intente operar este artefacto si se encuentra dañado, si no funciona correctamente, si no está ensamblado por completo o si tiene piezas faltantes o rotas, incluido una línea de alimentación dañada.
- Cumpla con todos los procedimientos de seguridad del sector recomendados, incluido el uso de guantes de manga larga y gafas de seguridad.
- El instalador debe asegurarse de que el lavavajillas esté completamente cerrado al momento de la instalación.
- Use mangueras nuevas cuando conecte el aparato al suministro de agua. No reutilice mangueras viejas.
- Después de instalar el lavavajillas, verifique que no haya fugas en la conexión de la manguera.
- No dañe la línea de alimentación del artefacto ni coloque objetos pesados sobre él.

FUNCIONAMIENTO

- Repare o reemplace de inmediato todas las líneas de alimentación deshilachados o dañados de otra forma. No use un cable que exhiba roturas o abrasión en su longitud o en sus extremos.
- Si detecta un sonido extraño, olor a quemado o a químico, o humo provenientes del artefacto, desconéctelo de inmediato y contáctese con un Centro de Información al Cliente de LG Electronics.
- Nunca desconecte el artefacto tirando de la línea de alimentación.
- No use un cable de extensión ni un adaptador con este artefacto.
- No sujete la línea de alimentación ni toque los controles del artefacto con las manos húmedas.
- No modifique ni extienda el cable de alimentación.
- Si el producto se ha mojado accidentalmente, comuníquese con el Centro de Información al Cliente de LG Electronics para que le den instrucciones antes de reanudar el uso.
- No almacene ni use gasolina u otros líquidos o vapores inflamables cerca de este artefacto ni de ningún otro.
- Mantenga el área debajo de los artefactos y sus alrededores libre de materiales combustibles (pelusa, papel, trapos, etc.), gasolina, productos químicos y otros vapores o líquidos inflamables.
- Este artefacto no ha sido diseñado para ser utilizado por personas con capacidades físicas, sensoriales o mentales disminuidas (incluidos niños) o que no cuenten con la experiencia o los conocimientos necesarios para operarlo, salvo que una persona responsable de su seguridad les brinde la supervisión o la instrucción pertinente en cuanto al uso del artefacto.
- Si se daña la línea de alimentación eléctrica, solo el fabricante está autorizado para reemplazarlo, o bien su agente de servicio técnico o una persona de calificación similar para prevenir riesgos.
- No maltrate la puerta, no se siente ni se pare sobre ella.
- Lea todas las instrucciones antes de usar el artefacto y consérvelas.
- Use el artefacto únicamente para el fin previsto.
- No permita que los niños jueguen con el artefacto. Es necesario supervisar atentamente a los niños cuando el artefacto esté en funcionamiento cerca de ellos.
- No utilice indebidamente los controles.
- En el caso de que se produzca una fuga de gas (gas propano, gas licuado de petróleo, etc.), no ponga en funcionamiento este artefacto ni ningún otro. Abra una puerta o una ventana para ventilar el área de inmediato.
- Bajo ciertas condiciones, podría producirse gas hidrógeno en un sistema de agua caliente que no ha sido utilizado por dos semanas o más. EL GAS HIDRÓGENO ES EXPLOSIVO. Si el sistema de agua caliente no se ha usado durante ese período de tiempo, abra todas las llaves de agua caliente y deje que fluya varios

minutos antes de usar el artefacto. Esto eliminará el gas hidrógeno acumulado. Dado que el gas hidrógeno es inflamable, no fume ni use ninguna llama abierta durante este proceso.

- Fije la manguera de desagüe en su sitio de manera segura.
- Solo use detergentes y agentes de enjuague recomendados para lavavajillas. Mantenga dichos productos fuera del alcance de los niños.
- No permita que los niños ingieran detergente o agentes de enjuague para vajilla.
- Cuando cargue objetos para su lavado:
 - Cargue los objetos cortantes de tal forma que no dañen el sello de la puerta.
 - Cargue los cuchillos filosos con el mango hacia arriba para disminuir el riesgo de heridas cortantes u otras lesiones.
- No lave artículos de plástico a menos que contengan la indicación de que son "seguros para lavar con lavavajillas" o una indicación equivalente. Para los artículos de plástico que no contengan tal indicación, consulte las recomendaciones del fabricante.
- No toque el ELEMENTO CALENTADOR durante el uso o inmediatamente después.
- No ponga en funcionamiento el lavavajillas a menos que todos los paneles del CERRAMIENTO estén en el lugar adecuado.
- No maltrate la puerta o las bandejas del lavavajillas, no se sienten ni se pare sobre ellas.
- No instale ni almacene el lavavajillas en lugares expuestos a la intemperie.
- Después de limpiar la vajilla, cierre el suministro de agua. Antes de limpiar, vuelva a abrir el suministro de agua y revise el estado de las conexiones.
- No abra la puerta del artefacto durante la operación. Por motivos de seguridad, la bomba de purga opera si la puerta está abierta, lo que genera un tiempo de ciclo más largo.
- Tenga cuidado de no apretarse la mano al cerrar la puerta.
- No enchufe el lavavajillas en un tomacorriente dañado.
- No instale ni coloque el lavavajillas cerca de componentes eléctricos o llamas expuestas.
- No lave vajilla que haya estado expuesta a gasolina, solventes u otros materiales inflamables.
- Al limpiar, no rocíe agua directamente sobre el producto.
- No presione los botones con objetos punzantes o filosos como un alfiler o un punzón.
- No utilice detergente con base solvente.
- No haga contacto con la salida de vapor.
- Si se extraen del lavavajillas, las piezas pequeñas como los ganchos de las bandejas y los postes de retención del filtro pueden presentar riesgo de asfixia para niños pequeños. Mantenga dichas piezas fuera del alcance de los niños.

Mantenimiento

- No repare ni reemplace ninguna pieza del artefacto. Todas las reparaciones y el servicio de mantenimiento deben ser realizados por un miembro del personal de servicio calificado, a menos que se recomiende lo contrario en este Manual del propietario. Use solamente piezas de fábrica autorizadas.
- No desarme ni repare el artefacto por su cuenta.
- Quite el polvo o los materiales extraños de las clavijas de la línea de alimentación.
- Desconecte el artefacto del suministro eléctrico antes de limpiarlo o de realizar cualquier tipo de mantenimiento que pueda realizar el usuario. Colocar los controles en la posición de apagado no desconecta el artefacto del suministro eléctrico.
- Quite la puerta antes de sacar de servicio o desechar el artefacto para evitar el riesgo de que niños o animales pequeños queden atrapados adentro.
- Desconecte el artefacto antes de limpiar para evitar el riesgo de descargas eléctricas.
- Antes de desechar el producto, corte la línea de alimentación y destruya el panel de control del producto.

6 INSTRUCCIONES IMPORTANTES DE SEGURIDAD

Instrucciones de conexión a tierra

- Este artefacto debe estar conectado a tierra. En caso de funcionamiento defectuoso o avería, la conexión a tierra reducirá el riesgo de descarga eléctrica al establecer una ruta de menor resistencia para la corriente eléctrica.
- Este artefacto viene equipado con un cable eléctrico que tiene un conductor para conexión a tierra y un enchufe con conexión a tierra.
- El enchufe debe conectarse en un tomacorriente adecuado que esté bien instalado y a tierra, de acuerdo con todos los códigos y las ordenanzas locales.

ADVERTENCIA

La conexión inadecuada del conductor de conexión a tierra puede resultar en riesgo de choque eléctrico. Pregunte a un electricista calificado o al representante de servicio si no está seguro si el artefacto está adecuadamente conectado a tierra. No modifique el enchufe que viene con el artefacto. Si no cabe en el contacto, pida que un electricista calificado instale un contacto apropiado.

Riesgo de vuelco

- No use el lavavajillas hasta que esté instalado por completo.
- No empuje hacia abajo la puerta del lavavajillas cuando esté abierta.
- El incumplimiento de estas instrucciones podría causar heridas o cortes graves.

MENSAJES DE PRECAUCIÓN

PRECAUCIÓN

- Para reducir el riesgo de lesiones leves o moderadas a personas, el mal funcionamiento o daño al producto o propiedad cuando use este producto, siga las precauciones básicas, incluidas las siguientes:

Instalación

- Instale el producto sobre un piso firme y nivelado.
- El lavavajillas debe estar conectado a un suministro de agua caliente con un rango de temperatura entre 120 °F (49 °C) y 149 °F (65 °C). Este rango de temperatura brinda los mejores resultados de lavado y el ciclo más corto. La temperatura no debe superar los 149 °F (65 °C) para evitar dañar la vajilla.
- No coloque la manguera de desagüe debajo del lavavajillas durante la instalación.
- Tenga precaución al abrir o cerrar la puerta del artefacto antes de instalar el panel personalizado. La puerta podría abrirse o cerrarse abruptamente.

FUNCIONAMIENTO

- No coloque ningún objeto encima del artefacto.
- Cierre las llaves de agua y desconecte el artefacto si este no será usado por un periodo de tiempo prolongado, por ejemplo, durante las vacaciones.
- No almacene ni vierta limpiadores, blanqueadores (blanqueador con cloro, blanqueador oxigenado, etc.) ni detergentes líquidos encima del artefacto. Si lo hace, podría ocasionar corrosión, decoloración o daño de la superficie del artefacto.
- No toque el agua de desagüe, ya que podría estar caliente.
- Si la manguera de desagüe y la manguera de suministro de agua se congelan en invierno, descongélelas antes de usar el artefacto.
- No coloque las manos, pies u objetos metálicos debajo ni detrás del artefacto.

INSTRUCCIONES IMPORTANTES DE SEGURIDAD 7

- No coloque la manguera de desagüe debajo del lavavajillas durante la instalación.

Mantenimiento

- En caso de derramar aceite de cocina en el exterior del producto, límpielo de inmediato. No limpie el exterior del producto con productos de limpieza que contengan alcohol, diluyentes, blanqueadores, benceno, líquidos inflamables o abrasivos. Estas sustancias pueden decolorar o dañar el electrodoméstico.

ESPAÑOL

GUARDE ESTAS INSTRUCCIONES

8 DESCRIPCIÓN GENERAL DEL PRODUCTO

DESCRIPCIÓN GENERAL DEL PRODUCTO

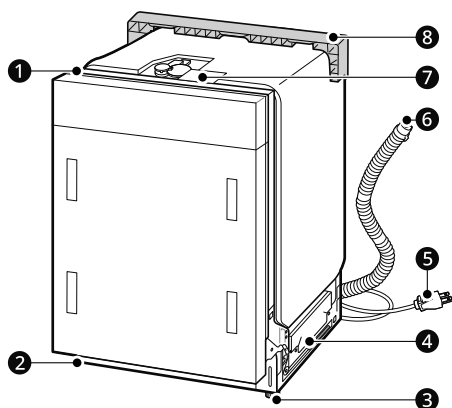
Características del producto

Las ilustraciones en esta guía pueden diferir de los componentes y accesorios reales, los cuales están sujetos a cambios sin previo aviso por parte del fabricante a fin de introducir mejoras en el producto.

NOTA

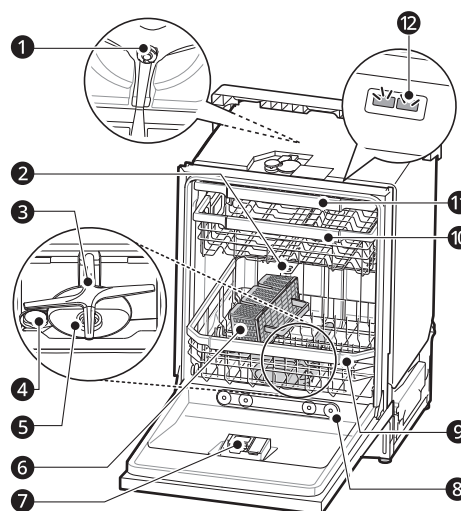
- Para su seguridad y para prolongar la vida útil del producto, use solo componentes autorizados. El fabricante no se hace responsable del mal funcionamiento del producto o de accidentes provocados por el uso de componentes o piezas no autorizados adquiridos por separado.
- No retire la cubierta de seguridad en ningún momento.
- Para garantizar la fiabilidad, cada lavavajillas se somete a un extenso control de calidad antes de salir de fábrica.
- Puede encontrar gotas de agua o manchas de agua como resultado de este proceso en su nuevo lavavajillas.

Vista frontal



- ❶ Panel de control
- ❷ Cubierta inferior
- ❸ Patas de nivelación
- ❹ Base
- ❺ Cable de alimentación
- ❻ Manguera de desagüe
- ❼ Cubierta de seguridad
- ❽ Soporte de embalaje

Vista interior

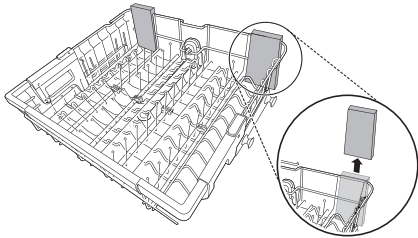


- ❶ Rotor superior de lavado
- ❷ Brazo rociador superior
- ❸ Brazo rociador inferior
- ❹ Cubierta de sal del lavavajillas
- ❺ Sistema de filtrado
- ❻ Cesto para cubiertos
- ❼ Dispensador de detergente y abrillantador
- ❽ Boquilla de vapor
- ❹ Bandeja inferior
- ❺ Bandeja superior
- ❻ Bandeja para cubiertos

12 Luz del cuba

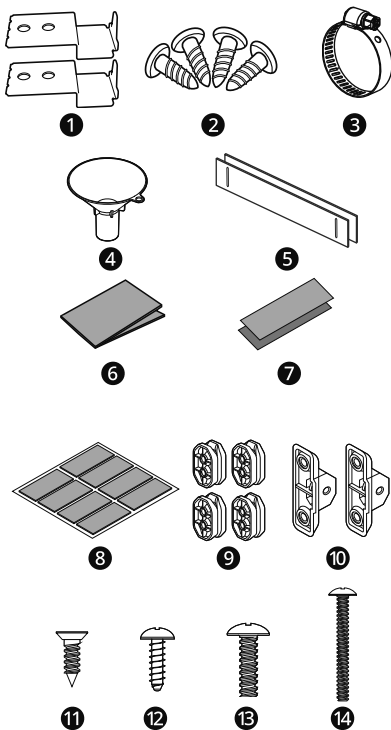
NOTA

- El cesto para cubiertos se envía instalado en la parte posterior de la bandeja del fondo. Para obtener un mejor desempeño, instálelo a lo largo del lado derecho.
- Retire todos los materiales de empaque del exterior y el interior del lavavajillas antes de instalar el artefacto.



- 6 Cinta de barrera contra la humedad (cinta de aluminio)
- 7 Cinta de barrera contra la humedad (cinta de aluminio para los lados)
- 8 Cinta de vellón
- 9 Soporte del panel (4 c/u, superior e intermedio)
- 10 Soporte del panel (2 c/u, inferior)
- 11 Tornillo de soporte (12 c/u, $\Phi 4$ mm x 14 mm)
- 12 Tornillo de cubierta inferior (2 c/u, $\Phi 4$ mm x 14 mm)
- 13 Tornillos de madera (2 c/u, $\Phi 4$ mm x 14 mm)
- 14 Tornillo de ajuste de la puerta (2 c/u, $\Phi 4$ mm x 34 mm)

Accesorios



- 1 Soportes de instalación (2 c/u)
- 2 Tornillos de madera (4 c/u, $\Phi 4.5$ mm x 12 mm)
- 3 Abrazadera para manguera
- 4 Embudo
- 5 Cubierta inferior

Especificaciones del producto

La apariencia y las especificaciones detalladas en este manual podrían variar debido a mejoras constantes en el producto.

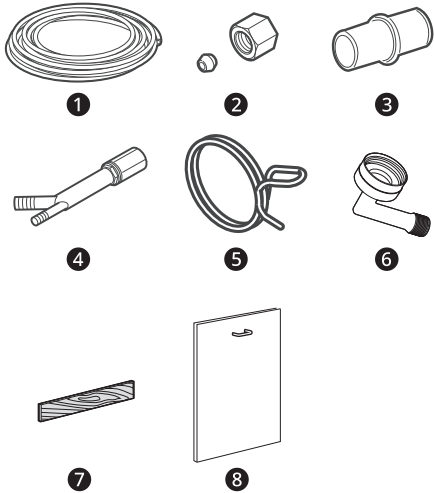
Modelo	SDWD24P3
Requisitos eléctricos	120 V~ CA, 60 Hz solo, interruptor de corriente de 15 A
Presión de agua	20 psi - 80 psi (140 kPa - 550 kPa)
Dimensiones (Ancho X Altura X Profundidad)	23 1/2" X 32 1/16" X 21 7/8" (598 mm X 815 mm X 554 mm)
Temperatura de entrada	120 °F - 149 °F (49 °C - 65 °C)
Peso neto	88 lb (40 kg)

10 INSTALACIÓN

INSTALACIÓN

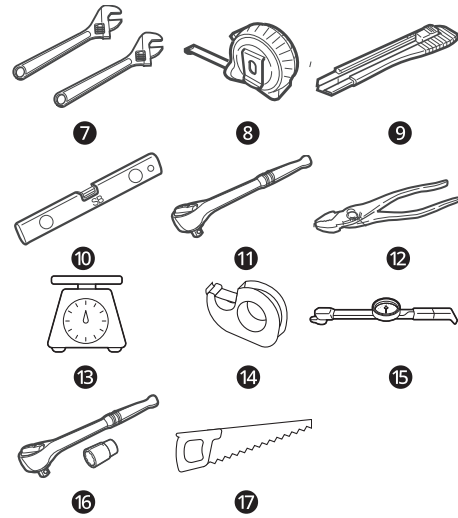
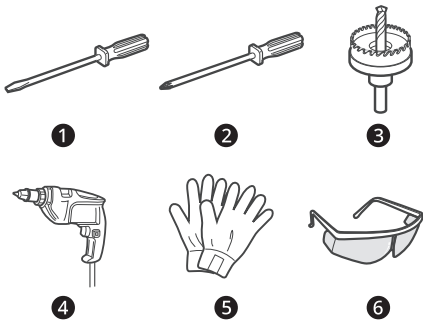
Antes de la instalación

Piezas no incluidas



- ❶ Tubería de suministro de agua
 - Línea de suministro de agua con un mínimo de 3/8" de diámetro exterior, tubería de cobre o acero inoxidable trenzado
- ❷ Accesorios para tubería
- ❸ Acoplador
- ❹ Trampa de aire
- ❺ Abrazadera para manguera
- ❻ Codo de 3/4"
- ❼ Zócalo (madera)
- ❽ Panel de madera y manija

Herramientas necesarias



- ❶ Destornillador de hoja plana
- ❷ Destornillador Phillips
- ❸ Broca con sierra de perforación de 2 1/2" mín.
- ❹ Taladro eléctrico
- ❺ Guantes
- ❻ Gafas de seguridad
- ❼ Llave ajustable (2 c/u)
- ❽ Cinta medidora
- ❹ Cuchilla
- ❽ Nivel
- ❺ Llave con accionamiento cuadrado de 1/4"
- ❻ Pinzas
- ❼ Escala
- ❽ Cinta
- ❺ Llave de torque
- ❻ Llave con accionamiento cuadrado de 3/8" y casquillo de 1/2"
- ❼ Sierra

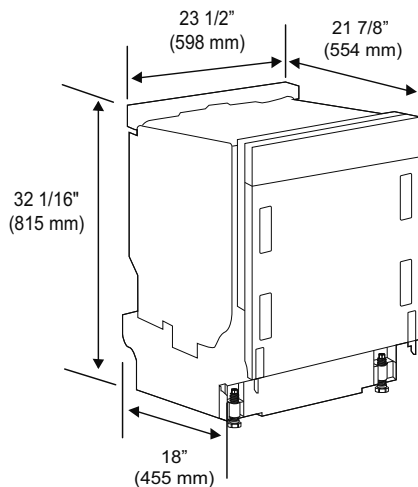
Descripción general de la instalación

Lea las siguientes instrucciones de instalación inmediatamente después de adquirir el lavavajillas o transportarlo a otra ubicación.

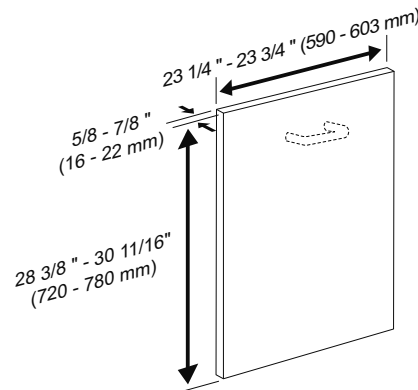
- 1 Preparación de la abertura para el gabinete
- 2 Preparación del lavavajillas
- 3 Preparación de las conexiones eléctricas y de agua
- 4 Deslizamiento del lavavajillas en la abertura del gabinete
- 5 Conexión de la línea de suministro de agua y energía eléctrica
- 6 Conexión de la manguera de desagüe
- 7 Nivelado del lavavajillas
- 8 Fijación del panel del gabinete al lavavajillas
- 9 Sujeción del lavavajillas en la abertura del gabinete
- 10 Verificación final de la instalación

Dimensiones del producto

Producto



Panel del gabinete

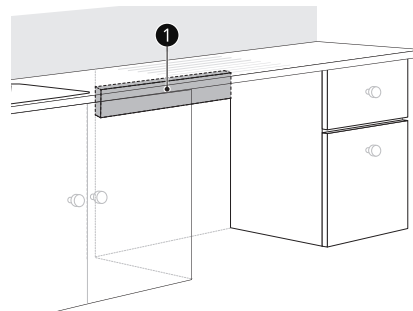


5.5 lb (2.5 kg) ≤  ≤ 24.2 lb (11 kg)

Preparación de la abertura para el gabinete

Este lavavajillas está diseñado para ajustarse a una abertura estándar para lavavajillas. Es posible que sea necesario hacer una abertura en ambos lados para pasar las conexiones de fontanería y eléctricas.

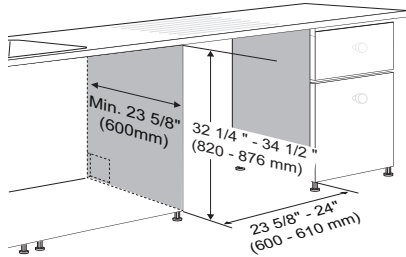
- Para asegurar un desagüe adecuado, el lavavajillas no se debe instalar a más de 12 pies (3.65 m) de distancia del fregadero.
- La ubicación debe tener espacio suficiente para que la puerta del lavavajillas se abra fácilmente y debe dejarse una distancia de, al menos, 0.1" (2 mm) entre el lavavajillas y los lados del gabinete.
- Si instala el lavavajillas en un rincón, deje un mínimo de 2" (50 mm) entre el lavavajillas y el muro adyacente.
- El muro adyacente debe estar libre de obstáculos.
- Solamente para instalaciones al ras: puede retirar el soporte del gabinete 1 del interior del gabinete.



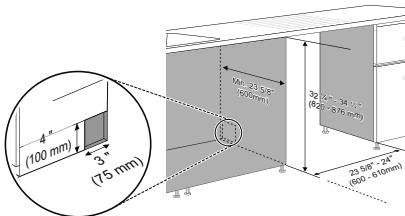
12 INSTALACIÓN

Elección de la ubicación adecuada

- 1 Seleccione una ubicación tan cercana al fregadero como sea posible para facilitar la conexión de la línea de suministro de agua, la manguera de desagüe y la conexión eléctrica.

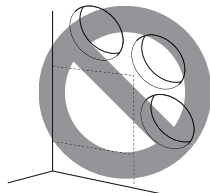


- 2 Para dejar el espacio adecuado para tareas de fontanería y electricidad, use la plantilla incluida con el material impreso para determinar el espacio libre del lado del gabinete donde el lavavajillas hace contacto con el muro posterior. Con una sierra de perforación de 2 1/2" de diámetro, haga un agujero en el área objetivo según se muestra en la plantilla.



⚠ ADVERTENCIA

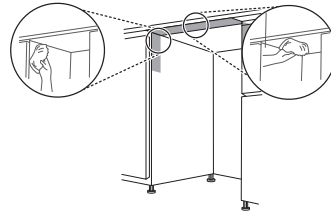
- El daño durante la instalación no está cubierto por la garantía, y las fugas causadas por la instalación inadecuada podrían dañar la propiedad.
- No use los orificios existentes, a menos que se encuentren en el área objetivo.
- Si no se realiza la perforación para las líneas de agua y desagüe en las ubicaciones adecuadas, esto podría impedir que el lavavajillas quede al ras de los gabinetes y podría plegar, aplastar, tensionar o dañar las líneas.



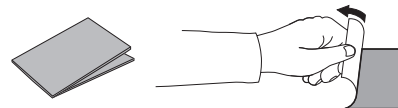
Instalación de la cinta de barrera contra la humedad

Instale la cinta de barrera contra la humedad a la parte inferior del mostrador para proteger la superficie de la condensación cuando se abre el artefacto.

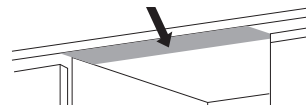
- 1 Limpie y seque el área sobre la parte inferior del mostrador y los lados de la abertura del gabinete donde se aplicará la cinta.



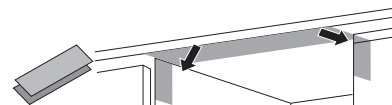
- 2 Retire la película protectora de la cinta.



- 3 Instale la cinta sobre la parte inferior del mostrador.



- 4 Instale los pedazos más cortos de cinta en los lados de la abertura del gabinete en la parte superior.



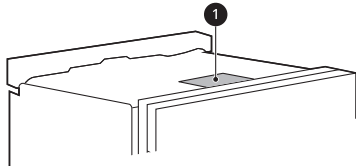
NOTA

- La cinta de barrera contra la humedad está incluida en la bolsa de ensamble manual.
- Si el mostrador está hecho con granito o materiales impermeables, no es necesaria la cinta de barrera contra la humedad.
- Podría producirse condensación sobre la parte inferior o a lo largo del borde frontal del mostrador, cuando la temperatura sea baja.

Preparación del lavavajillas

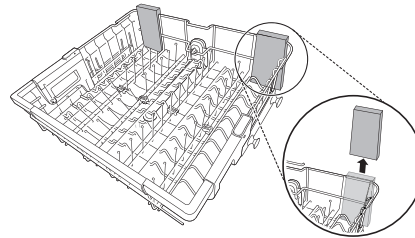
⚠ ADVERTENCIA

- No retire la cubierta de seguridad ❶. Si lo hace, puede ocasionar incendios, descargas eléctricas o la muerte.



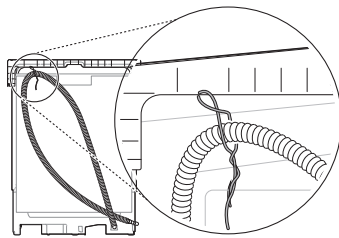
Retiro de los materiales de empaque del interior

Retire todos los materiales de empaque del interior del lavavajillas antes de instalarlo.



Para soltar la manguera de desagüe

Retire la atadura que sujeta la manguera de desagüe a la parte posterior de la abrazadera de envío.



⚠ PRECAUCIÓN

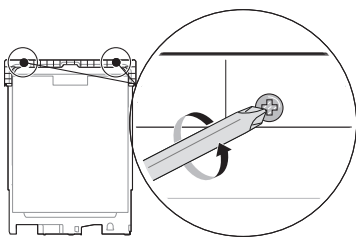
- Tenga precaución al abrir o cerrar la puerta del artefacto antes de instalar el panel personalizado de la puerta. La puerta podría abrirse o cerrarse abruptamente sin el peso del panel.

Verificación del panel del gabinete

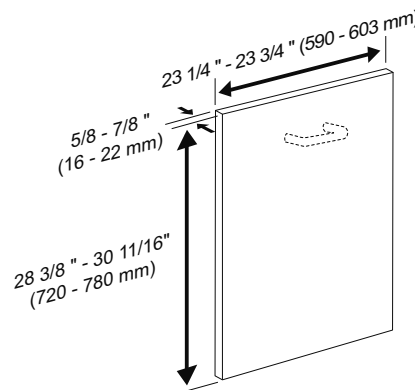
Este lavavajillas está diseñado para funcionar con un panel frontal del gabinete (no incluido), que se desliza hacia arriba cuando se abre la puerta. Antes de instalar el lavavajillas, verifique el peso y las dimensiones del panel frontal del gabinete que ha seleccionado.

Abrazadera de envío removible

La abrazadera de envío trasera puede ser removida, si es necesario más espacio libre, al instalar el lavaplatos debajo de un mostrador bajo.



- El lavavajillas puede admitir paneles que pesan de 5.5 a 24.2 libras (de 2.5 a 11 kg).
- Si el panel del gabinete pesa entre 17.6 libras (8 kg) y 24.2 libras (11 kg), ajuste la tensión del resorte de la puerta para que sea más fácil abrirla. Consulte el tema **Ajuste de la tensión del resorte de la puerta**.



5.5 lb (2.5 kg) ≤  ≤ 24.2 lb (11 kg)

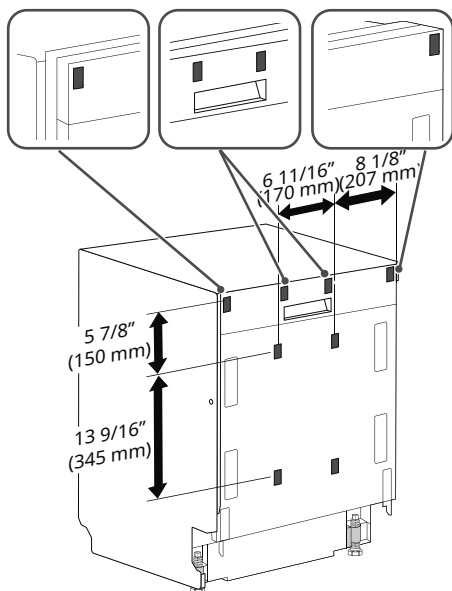
14 INSTALACIÓN

- Para obtener mejores resultados, el ancho del panel de madera debe ser de 1/4" (6 mm) más chico que el ancho del gabinete.

Instalación de la cinta de vellón

La colocación de la cinta de vellón entre la puerta del lavavajillas y el panel del gabinete reducirán la fricción cuando la puerta se deslice hacia arriba y hacia abajo.

- 1 Instale la cinta de vellón cerca de las aberturas del soporte para asegurarse de que la puerta se deslice suavemente.
- 2 Quite las tiras de la cinta de vellón de la banda portante y colóquelas en la puerta.



Colocación de los soportes de instalación

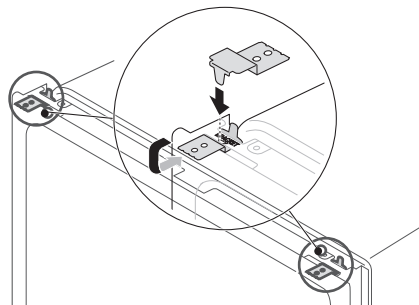
Para mostradores de madera u otros materiales que no se dañen al taladrar, utilice los soportes de instalación metálicos suministrados.

Para mostradores de granito, mármol u otro material que podría dañarse al taladrar, utilice los tornillos para madera para sujetar el lavavajillas al gabinete. Consulte las instrucciones de instalación en la sección **Sujeción del lavavajillas en la abertura del gabinete**.

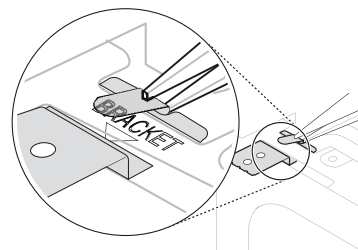
NOTA

- Los soportes de instalación y los tornillos se pueden encontrar en el cesto para cubiertos.

- 1 Inserte el extremo con lengüeta de los soportes de instalación en las ranuras del bastidor superior. Gire los soportes hasta que los extremos con lengüeta queden hacia arriba.



- 2 Doble las lengüetas de los soportes con un par de pinzas de punta para fijarlos al bastidor.

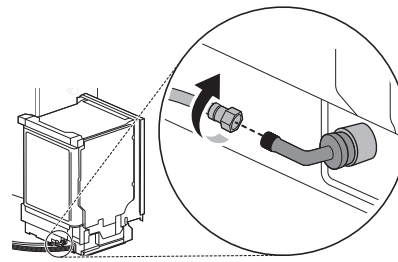


Preparación de las conexiones eléctricas y de agua

⚠ ADVERTENCIA

- Conexión de agua
 - No reutilice una manguera vieja. Emplee solo una manguera nueva cuando instale el lavavajillas. La manguera vieja podría presentar fugas o explotar, causando inundaciones y daños a la propiedad. Póngase en contacto con un Centro de información al cliente de LG para obtener ayuda en la compra de una nueva manguera.
- Conexión eléctrica
 - Utilice un interruptor de corriente o fusible de acción retardada.
 - Este artefacto debe operarse con el voltaje correcto, que se indica en este manual y en la placa de datos técnicos.
 - El cableado debe tener una conexión a tierra adecuada. Si tiene dudas, solicite que lo verifique un electricista calificado.

- El artefacto y el tomacorriente deben colocarse de manera que el enchufe sea de fácil acceso.
- No use un cable de extensión ni un adaptador con este lavavajillas.
- No sobrecargue el tomacorriente con más de un artefacto.
- Es obligación y responsabilidad personal del propietario del producto que un electricista calificado instale un tomacorriente adecuado.

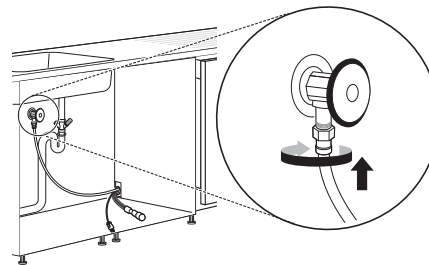


⚠ PRECAUCIÓN

- Cuando conecte la línea de suministro de agua del lavavajillas al suministro de agua de la vivienda, se debe usar cinta o compuesto de sellado en las roscas de la tubería para evitar fugas. No se debe emplear cinta ni compuesto en los accesorios de compresión.
- Conecte el lavavajillas a un suministro de agua caliente con un rango de temperatura entre 120 °F (49 °C) y 149 °F (65 °C). Este rango de temperatura brinda los mejores resultados de lavado y el ciclo más corto. Para evitar daños en la vajilla, la temperatura no debe superar los 149 °F (65 °C).
- La presión del suministro de agua debe ser de entre 20 psi y 80 psi (de 140 a 550 kPa). Si la presión del suministro de agua es mayor a 80 psi, debe instalarse una válvula reductora de presión, de manera que se evite el fallo prematuro de la válvula de entrada.

3 Ajuste ambas conexiones con dos llaves ajustables para evitar ejercer presión sobre la válvula de entrada de agua.

4 Asegúrese de que el suministro de agua esté cerrado. Conecte la tubería de suministro de agua a la llave.



5 Inserte el enchufe en un tomacorriente.

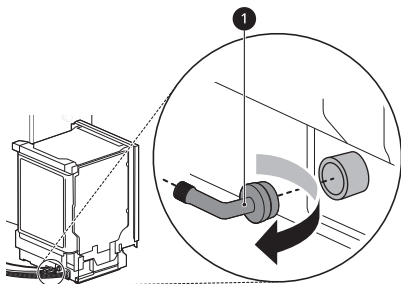
6 Abra la llave de agua y verifique que no haya fugas en las conexiones.

- Si hay una fuga, vuelva a conectar el codo.
- No cruce las roscas ni ajuste excesivamente las conexiones para evitar fugas.

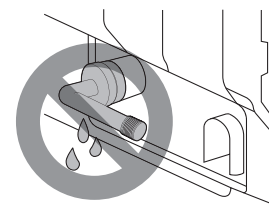
Conexión de la línea de suministro de agua y energía eléctrica

Tubería de suministro de agua: línea de suministro del lavavajillas con un mínimo de 3/8" de diámetro exterior, tubería de cobre o metal trenzado

1 Conecte el codo **1** a la válvula de entrada en la parte posterior del lavavajillas.



2 Conecte la tubería de suministro de agua al codo.



7 Desenchufe el cable de alimentación.

8 Cierre el suministro de agua y desconecte la tubería de suministro de agua de la llave de agua.

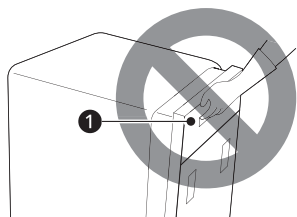
16 INSTALACIÓN

Deslizamiento del lavavajillas en la abertura del gabinete

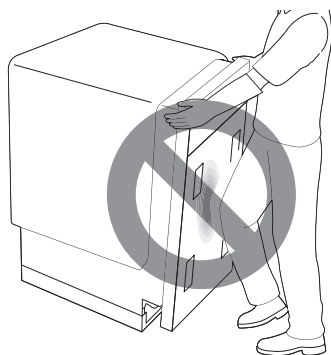
Cómo deslizar el lavavajillas

⚠ PRECAUCIÓN

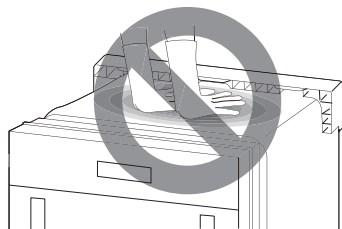
- No tire ni levante el lavavajillas usando la puerta ❶. Si lo hace, podría dañar la puerta y las bisagras.



- No empuje la puerta del lavavajillas con las rodillas cuando lo deslice en su lugar. Hacerlo podría dañar la cubierta frontal.

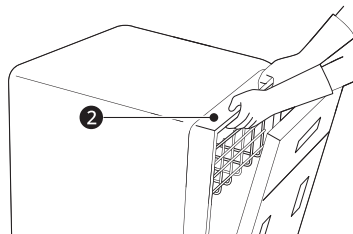


- No empuje la parte superior del lavavajillas. Hacerlo podría dañar el interior del artefacto.

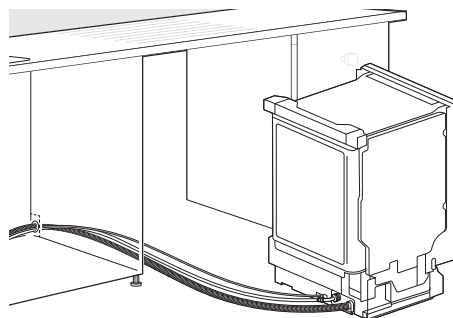


NOTA

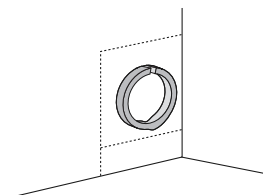
- Abra la puerta y sujete el bastidor del cuerpo del lavavajillas y la abertura superior frontal ❷ de la cuba para mover o levantar el lavavajillas.



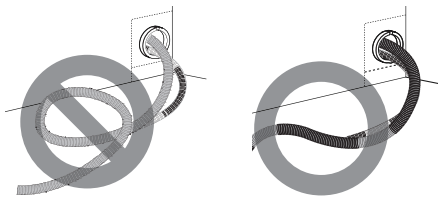
- 1 Alinee el lavavajillas con la abertura. Asegúrese de que la línea de suministro de agua y el cable de alimentación se extiendan suavemente sin plegarse ni doblarse.



- 2 Suavice o acolche los bordes del orificio taladrado para el paso de la línea de suministro de agua a fin de evitar dañar la manguera de desagüe.

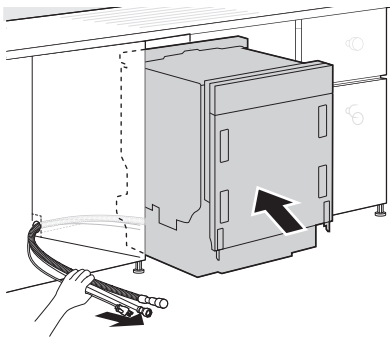


- 3 Asegúrese de enderezar la manguera de desagüe antes de insertar su extremo a través del orificio para el suministro de agua. A medida que desliza el lavavajillas en la abertura, tire lentamente de la manguera de desagüe desde el interior del gabinete para enderezarla. Para evitar fugas o daños ocasionados por el agua, tenga cuidado de no plegar, aplastar o tensar demasiado la manguera de desagüe durante la instalación.



4 Gradualmente, deslice el lavavajillas en la abertura, asegurándose de que la línea de suministro de agua y el cable de alimentación pasan libremente por la abertura y no quedan atrapados bajo el lavavajillas.

- A medida que desliza el lavavajillas en la abertura, deténgase periódicamente (o solicítele a otra persona que lo ayude) para tensar la manguera de desagüe, tirando de ella hacia el interior del gabinete.



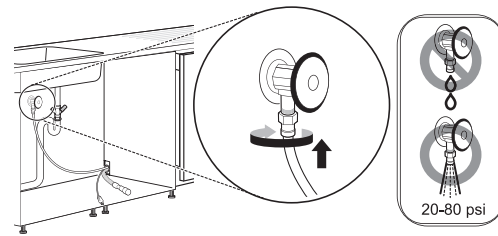
⚠ PRECAUCIÓN

- Para evitar fallas o fugas, es importante que la manguera de desagüe no quede plegada, tirante ni aplastada detrás o debajo del lavavajillas o dentro del gabinete adyacente.
- La garantía no cubre los daños derivados de una instalación inadecuada.

Conexión de la línea de suministro de agua y energía eléctrica

Conexión de la línea de suministro de agua

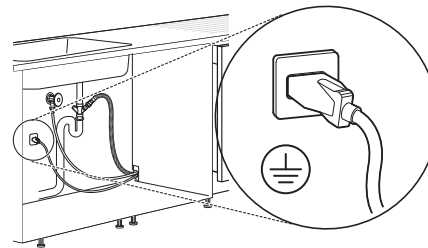
- 1** Con el suministro de agua cerrado, conecte la tubería de suministro de agua a la llave.
- 2** Ajuste la conexión con una llave con accionamiento cuadrado para evitar ejercer presión sobre la válvula de agua.



Conexión de la alimentación eléctrica

Inserte el enchufe en un tomacorriente a tierra.

- El cable de alimentación no debe posicionarse detrás del artefacto, sino dentro de 47.2 pulgadas del lado, para poder acceder fácilmente al enchufe.



⚠ ADVERTENCIA

- No use un cable de extensión ni un adaptador de 2 clavijas.



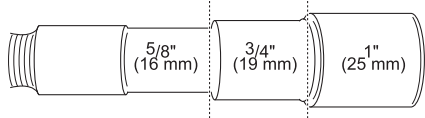
- El enchufe debe conectarse en un tomacorriente adecuado que esté bien instalado y a tierra, de acuerdo con todos los códigos y las ordenanzas locales.
- Debe conectarse a un circuito de alimentación de clasificación y tamaño adecuados y debidamente protegido para evitar la sobrecarga eléctrica.

Conexión de la manguera de desagüe

Si el extremo de la manguera de desagüe no se adapta a la línea de desagüe, use un adaptador resistente al calor y al detergente (no está incluido). Este accesorio se puede comprar en una tienda local de artículos de fontanería.

18 INSTALACIÓN

- Corte el adaptador para que el extremo coincida con el tamaño de la conexión de desagüe.

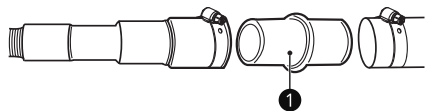


NOTA

- Para la instalación de la manguera de desagüe, use la abrazadera para manguera con tornillo incluida en el cesto para cubiertos de este lavavajillas.
- Si conecta la manguera de desagüe del lavavajillas al triturador de basura, asegúrese de seguir las instrucciones de instalación adecuadas según el manual del triturador.

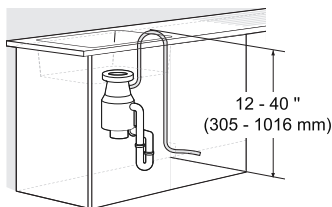
Requisitos para la manguera de desagüe

- Cumpla los códigos y las ordenanzas locales.
- La distancia al desagüe no debe superar los 12 pies (3.65 m).
- No conecte mangueras de desagüe de otros artefactos a la manguera de desagüe del lavavajillas.
- Si es necesario utilizar una extensión en la manguera de desagüe, use una manguera de diámetro interior de 5/8" o 7/8" y de 2 a 3 pies de longitud y un acople ❶ para conectar los dos extremos.



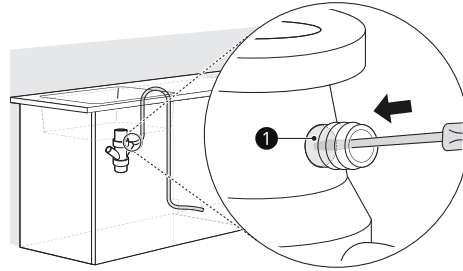
Altura de la manguera de desagüe

La altura del extremo de la manguera de desagüe debe ser, como mínimo, de 12" (305 mm) y no debe superar las 40" (1016 mm) desde la base del lavavajillas para evitar que el agua haga sifón desde la cuba.



Conexión al triturador sin trampa de aire

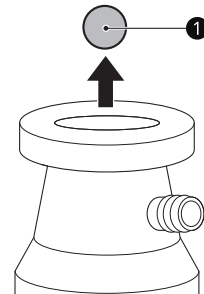
- 1 Extraiga el tapón ciego del triturador con un martillo y un destornillador.



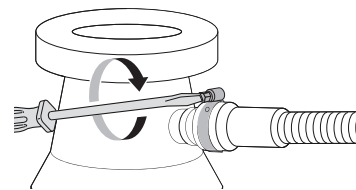
- 2 Retire el tapón ciego ❶ del triturador.

⚠ PRECAUCIÓN

- Si no se ha extraído el tapón ciego, el lavavajillas no podrá desagotar correctamente.



- 3 Sujete la manguera de desagüe al triturador con la abrazadera para manguera suministrada. Mueva la abrazadera a la posición correcta y apriétela con un destornillador de hoja plana.



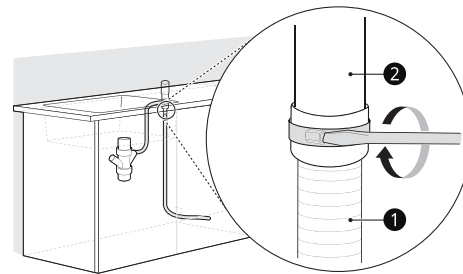
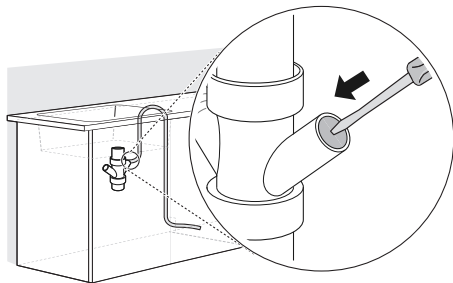
Conexión a la pieza en T para desechos sin trampa de aire

La altura del extremo de la manguera de desagüe debe ser, como mínimo, de 12" (305 mm) y no debe superar las 40" (1016 mm) desde la base del lavavajillas para evitar que el agua haga sifón desde la cuba.

- 1 Extraiga el tapón ciego con un martillo y un destornillador.

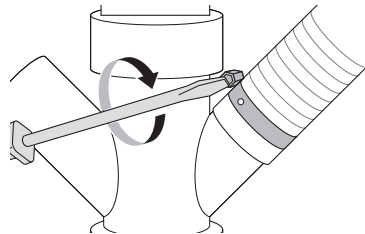
⚠ PRECAUCIÓN

- Si no se ha extraído el tapón ciego, el lavavajillas no podrá desagotar correctamente.



- 3 Si no está conectado, acople el conector de la manguera de caucho a la pieza en T para desechos o al triturador con una abrazadera para manguera (no incluida).

- 2 Sujete la manguera de desagüe a la pieza en T para desechos con la abrazadera para manguera suministrada. Mueva la abrazadera a la posición correcta y apriétela con un destornillador de hoja plana.



Nivelado del lavavajillas

Verifique que el lavavajillas esté nivelado y ajuste las patas de nivelación si es necesario.

⚠ PRECAUCIÓN

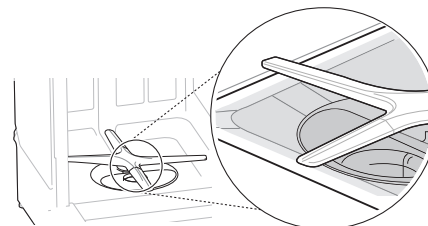
- Si el lavavajillas no está bien nivelado, pueden producirse fugas, problemas para cerrar la puerta o ruidos.
- Si la abertura del gabinete es más angosta de lo recomendado (ver **Preparación de la abertura del gabinete**), el lavavajillas debe nivelarse y alinearse cuidadosamente para que este se apoye completamente en las 3 patas de nivelación y no quede colgado de los soportes de instalación. De lo contrario, el lavavajillas puede no funcionar o pueden producirse fugas desde la parte frontal del lavavajillas, errores A/E y dificultad para cerrar la puerta.

Conexión al triturador o a la pieza en T para desechos con trampa de aire

- 1 Extraiga el tapón ciego con un martillo y un destornillador.
- 2 Conecte el extremo de la manguera de desagüe ① a la trampa de aire ② con la abrazadera para manguera suministrada. Mueva la abrazadera a la posición correcta y apriétela con un destornillador de hoja plana.
 - Esto impide que el agua haga sifón desde la cuba.

Cómo comprobar que el lavavajillas esté nivelado

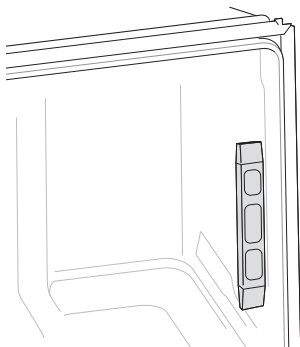
Para verificar que la cuba esté nivelada de adelante hacia atrás, retire la bandeja inferior y vierta **135 oz. (4 L)** de agua en el fondo de la cuba. El nivel del agua debe quedar cerca del centro de las dos muescas inferiores que presenta la cuba en la parte delantera.



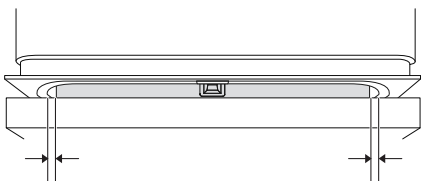
20 INSTALACIÓN

Tras extraer la bandeja inferior, coloque un nivel en la pared interior de la cuba para verificar que el lavavajillas esté nivelado de lado a lado.

- Si no tiene un nivel, en su lugar puede utilizar una aplicación de nivel de un teléfono inteligente.



Asegúrese de que el espacio entre las paredes de la cuba y el revestimiento de la puerta sea el mismo de cada lado.



Ajuste de las patas de nivelación

Ajuste según sea necesario hasta que el lavavajillas esté completamente nivelado.

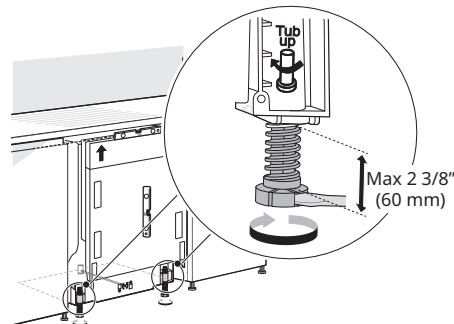
- Ajuste las patas de nivelación delanteras y traseras hasta que hagan contacto firme con el piso. Si el lavavajillas no está bien nivelado, puede impedir que la puerta cierre correctamente y el artefacto no se encenderá.

Ajuste de las patas de nivelación delanteras

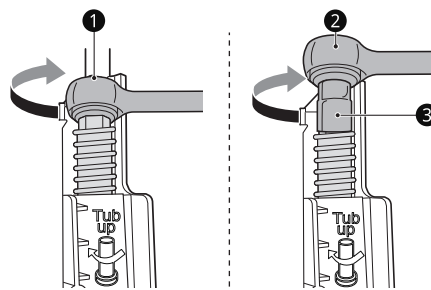
Use un destornillador de punta plana para girar las patas de nivelación delanteras y ajustar la parte frontal de la cuba.

- Haga girar las patas de nivelación delanteras en el sentido de las agujas del reloj para levantar la

parte frontal de la cuba y en el sentido contrario a las agujas del reloj para bajarla.



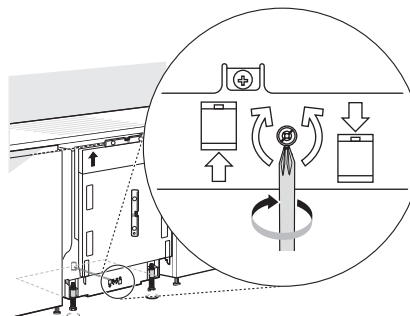
- Los ajustes funcionan de la misma forma para ambas patas de nivelación.
- Cuando no disponga de un destornillador de punta plana, use una llave con accionamiento cuadrado de 1/4" ① o una llave con accionamiento cuadrado de 3/8" ② con casquillo de 1/2" ③ para girar las patas de nivelación delanteras y ajustar el frente de la cuba.



Ajuste de la pata de nivelación trasera

Use un destornillador Phillips para ajustar la pata de nivelación trasera y la parte posterior de la cuba girando el tornillo central que se encuentra en la parte delantera de la base del artefacto.

- Haga girar el tornillo central en el sentido de las agujas del reloj para levantar la parte posterior de la cuba y en el sentido contrario a las agujas del reloj para bajarla.



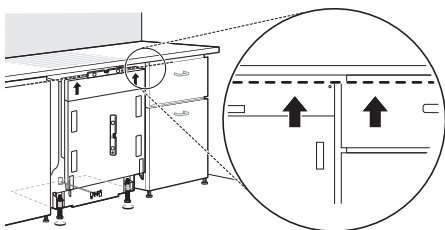
NOTA

- Para evitar producir daños en el tornillo, no utilice un destornillador eléctrico.

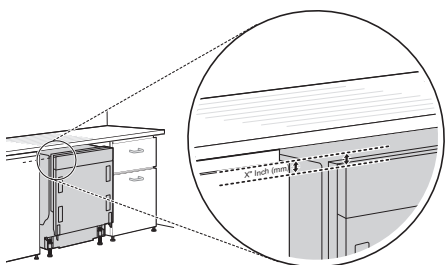
Fijación del panel del gabinete al lavavajillas

Ajuste de la altura del artefacto

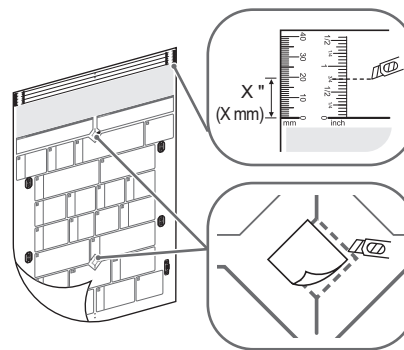
- 1 Ajuste la altura del artefacto para que la parte superior de la puerta esté tan cerca de la altura de las puertas circundantes del gabinete o los frentes del cajón como sea posible.



- 2 Mida la diferencia en altura ("x") entre la parte superior de la puerta del lavavajillas y las partes superiores de las puertas circundantes del gabinete o los cajones.

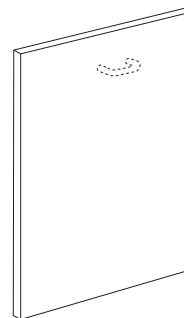


- 3 Use la medición del paso 2, haga una marca de "x" hacia arriba desde el fondo de ambas reglas en la parte superior de la plantilla de instalación incluida. Trace una línea entre las marcas y el borde desde la parte superior de la plantilla en la línea. Recorte los cuadrados marcados en la parte media de la plantilla para poder ver la línea central.



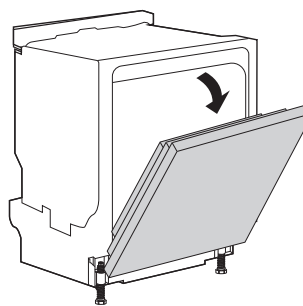
Ajuste de la tensión del resorte de la puerta

Si el panel del gabinete pesa entre 17.6 libras (8 kg) y 24.2 libras (11 kg), ajuste la tensión del resorte de la puerta para que sea más fácil abrirla.



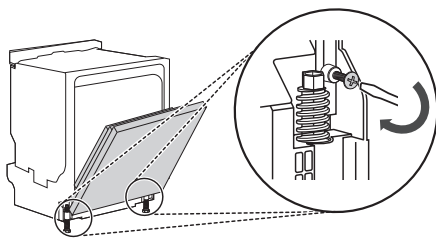
17.6 lb (8 kg) ≤  ≤ 24.2 lb (11 kg)

- 1 Abra la puerta del lavavajillas a 30°.
 - No ajuste la fuerza del resorte con la puerta del lavavajillas totalmente abierta.



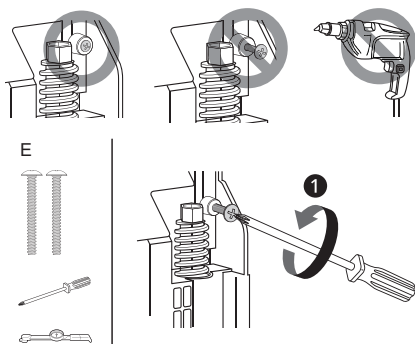
- 2 Use los tornillos de ajuste de la puerta incluidos para ajustar la tensión del resorte de la puerta en la parte inferior del lavavajillas.

22 INSTALACIÓN



⚠ PRECAUCIÓN

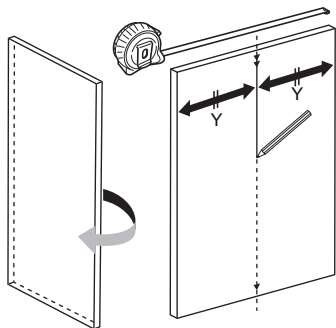
- Ajuste los tornillos de ajuste de la puerta por completo.
- Ajuste la fuerza del resorte de manera adecuada. Si no lo hace, la puerta podría caerse y abrirse o cerrarse inesperadamente.
- Si ajusta a más de 15 kgf, esto podría causar roturas en la tubuladura roscada.



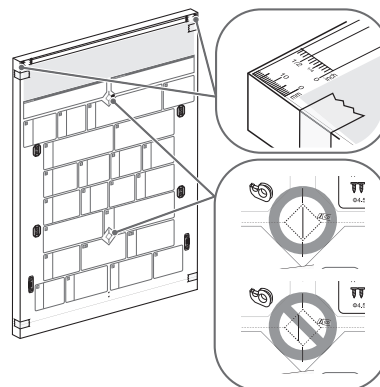
1 Máximo 15 kgf

Preparación del panel del gabinete

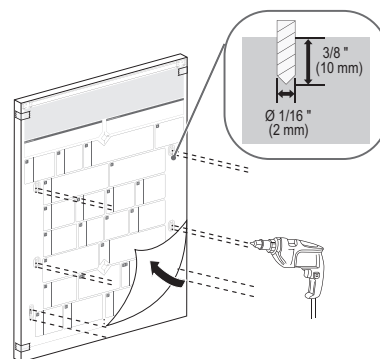
- 1 Marque una línea central a lo largo de la parte trasera del panel del gabinete.



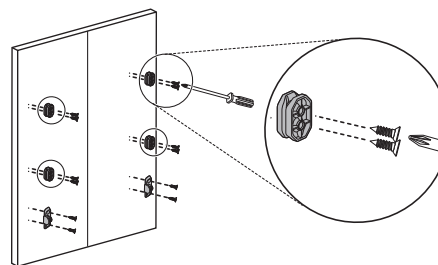
- 2 Alinee la línea superior y central de la plantilla de instalación con la línea superior y central del panel del gabinete. Encinte con fuerza la plantilla de instalación a la parte posterior del panel del gabinete.



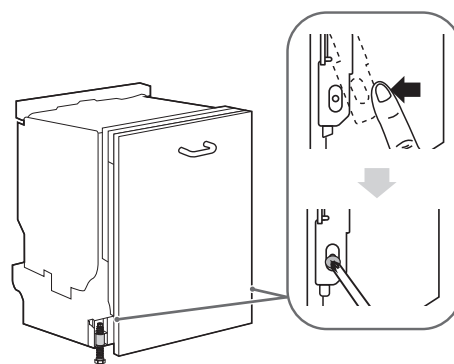
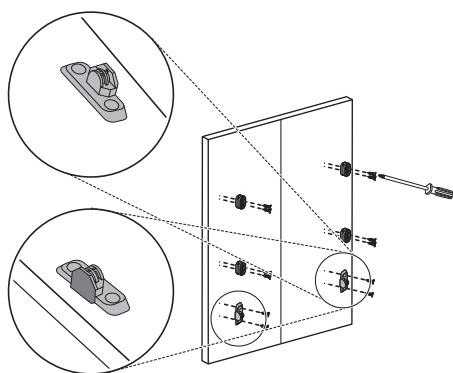
- 3 Use una broca de 1/16" (2 mm) de diámetro para taladrar agujeros piloto de 3/8" (10 mm) de profundidad en los 12 puntos marcados en la plantilla.



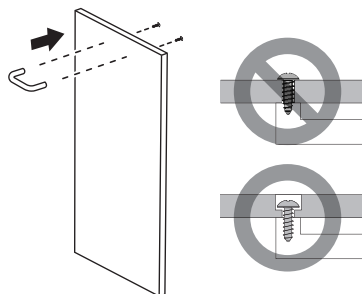
- 4 Retire la plantilla y sujete los soportes del panel superior y medio (incluidos) al panel del gabinete con los tornillos de madera incluidos.



- 5 Sujete los soportes inferiores del panel (incluidos) al panel del gabinete con los tornillos de madera incluidos.



- 6** Sujete una manija al frente del panel del gabinete antes de montar el panel en el lavavajillas. Asegúrese de embutir los tornillos para que el panel se deslice suavemente.



Sujeción del lavavajillas en la abertura del gabinete

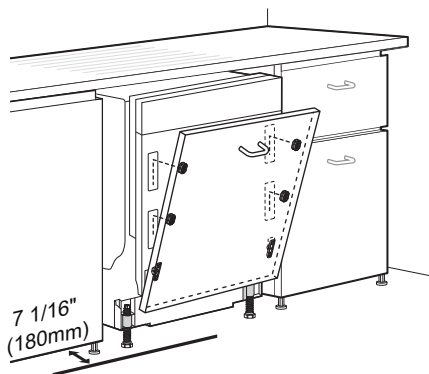
Hay 2 opciones para sujetar el lavavajillas en su sitio. Si el mostrador es de madera o de un material que puede taladrarse con seguridad, sujete el lavavajillas al mostrador con los soportes proporcionados. Si el mostrador es de granito, mármol o un material que no se puede taladrar, sujete el lavavajillas al bastidor del gabinete con los tornillos para madera provistos.

⚠ PRECAUCIÓN

- Asegúrese de que el lavavajillas esté nivelado y que todas las patas de nivelación estén en contacto firme con el piso antes de fijar el lavavajillas al mostrador o al gabinete. Si el lavavajillas no está nivelado correctamente, es posible que la puerta no se cierre de forma adecuada o que haya fugas de agua.

Montaje del panel del gabinete

- 1** Monte el panel del gabinete en la puerta del lavavajillas al insertar los soportes en el panel dentro de las aberturas del soporte en la puerta.



- 2** Sujete el panel del gabinete a la puerta del lavavajillas en los lados con los tornillos del soporte incluidos.

NOTA

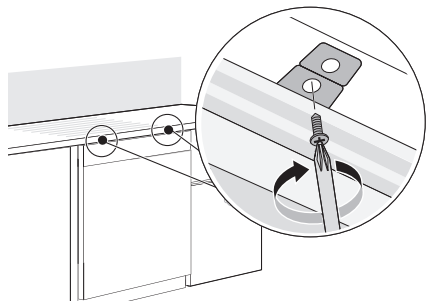
- Los soportes de instalación y los tornillos se pueden encontrar en el cesto para cubiertos.
- Utilice un destornillador magnético.
- Cubra la boca del filtro con toallas para evitar que los tornillos caigan dentro de la bomba.

Fijación del lavavajillas al mostrador

Use los tornillos para los soportes proporcionados a fin de asegurar los soportes de la parte superior

24 INSTALACIÓN

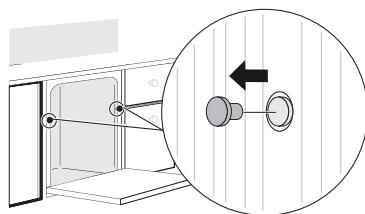
del lavavajillas a la parte inferior del mostrador de madera.



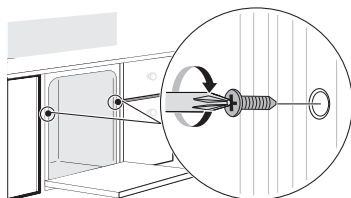
Sujeción del lavavajillas al bastidor del gabinete

Si se desea, el lavavajillas también puede asegurarse al marco del gabinete. Para ello, siga las instrucciones a continuación.

- 1 Retire las 2 tapas plásticas de los orificios de acceso en los soportes de montaje.



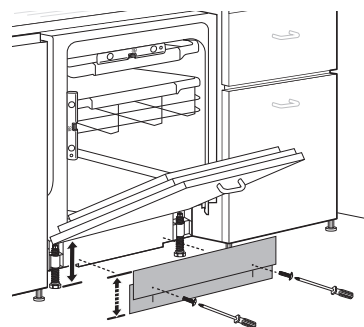
- 2 Coloque un tornillo para madera a través del soporte de montaje y hacia el interior del bastidor del gabinete.



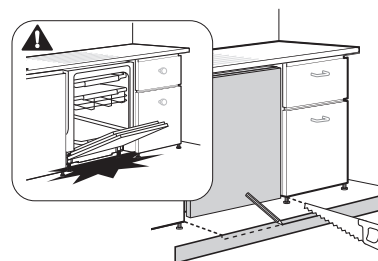
- 3 Reinstale las tapas plásticas.

Colocación del zócalo

- 1 Sujete la cubierta inferior incluida a la base del lavavajillas.

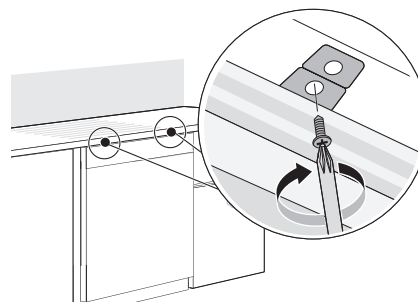


- 2 Coloque un zócalo personalizado. Si fuera necesario, use una sierra para cortar una muesca en la parte superior del zócalo personalizado para brindar espacio para el panel del gabinete, cuando se abre la puerta.



Fijación del lavavajillas al mostrador

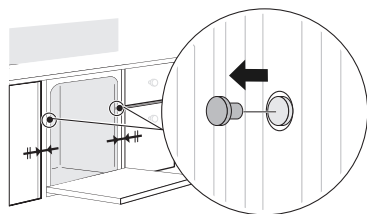
Use los tornillos para los soportes proporcionados a fin de asegurar los soportes de la parte superior del lavavajillas a la parte inferior del mostrador de madera.



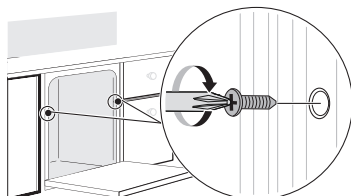
Sujeción del lavavajillas al bastidor del gabinete

Si se desea, el lavavajillas también puede asegurarse al marco del gabinete. Para ello, siga las instrucciones a continuación.

- 1 Retire las 2 tapas plásticas de los orificios de acceso en los soportes de montaje.



- 2** Coloque un tornillo para madera a través del soporte de montaje y hacia el interior del bastidor del gabinete.



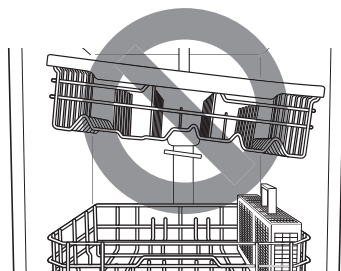
- 3** Reinstale las tapas plásticas.

Verificación final de la instalación

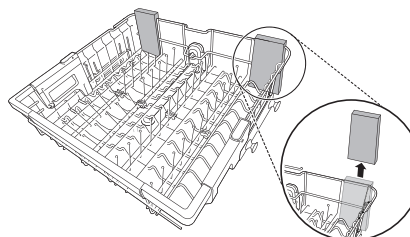
Prueba del lavavajillas

Verifique si el lavavajillas está instalado correctamente.

- 1** Encienda el interruptor de corriente.
- 2** Abra el suministro de agua de la vivienda.
- 3** Asegúrese de que la puerta se abre y cierra suavemente.
 - Si es necesario, nivele el lavavajillas nuevamente.
 - Si la puerta no cierra, compruebe que la bandeja esté nivelada.



- Asegúrese de que se hayan retirado todos los materiales de empaque.



- 4** Encienda el lavavajillas y ejecute un ciclo **Turbo** para verificar que el funcionamiento sea correcto.
- 5** Verifique si la manguera de desagüe o la conexión de suministro de agua presentan fugas.
- 6** Si se detecta una fuga de agua, mantenga presionado el botón **Start (INICIO)** durante 3 segundos para cancelar el ciclo de lavado y desagotar automáticamente el agua del lavavajillas. Ajuste todas las conexiones de agua y ejecute otro ciclo. Repita hasta que no se detecten fugas.
- 7** Retire la película protectora de la puerta, si la hubiera. Dejar la película puede ocasionar descoloración o condensación en la puerta.

Códigos de error de verificación de instalación

Consulte la siguiente tabla antes de solicitar servicio técnico.

26 INSTALACIÓN

Código de error	Causa posible y solución
E	<p>La manguera de desagüe está plegada o presionada.</p> <ul style="list-style-type: none">• Inserte las mangueras de desagüe y suministro a través del orificio bajo el fregadero. Gradualmente, deslice el lavavajillas dentro del gabinete mientras tira de las mangueras por debajo del fregadero para tensarlas. Esto sirve para evitar que las mangueras queden plegadas o presionadas detrás del lavavajillas. <p>La manguera de desagüe está conectada al triturador sin que se haya extraído el tapón ciego.</p> <ul style="list-style-type: none">• Retire el tapón ciego del triturador. <p>La pieza en T para desechos o el triturador están obstruidos.</p> <ul style="list-style-type: none">• Retire el tapón ciego de la pieza en T para desechos o el triturador.
E	<p>La línea de suministro de agua está plegada debajo del lavavajillas.</p> <ul style="list-style-type: none">• Inserte las mangueras de desagüe y suministro a través del orificio bajo el fregadero. Gradualmente, deslice el lavavajillas dentro del gabinete mientras tira de las mangueras por debajo del fregadero para tensarlas. Esto sirve para evitar que las mangueras queden plegadas o presionadas detrás del lavavajillas. <p>El suministro de agua de la vivienda no está abierto.</p> <ul style="list-style-type: none">• Abra la llave de agua.

FUNCIONAMIENTO

Antes de usar

ADVERTENCIA

- Para reducir el riesgo de incendios, descargas eléctricas o lesiones a las personas, lea las **INSTRUCCIONES DE SEGURIDAD** antes de operar este artefacto.

NOTA

- Conecte al suministro de agua caliente solamente. La temperatura del suministro de agua debería ser de un mínimo de 120 °F (49 °C) para un mejor lavado y una duración más breve del ciclo.
- Siga las instrucciones para cargar el lavavajillas para asegurar una limpieza eficaz.
- Quite los elementos insolubles como huesos, palillos y pedazos de papel cuando cargue el lavavajillas.

Verificación del nivel de dureza del agua

Método 1


- 1 Hable con el departamento de aguas municipal local para verificar la dureza del agua en su área.
- 2 Fije el nivel de ablandamiento del agua en el artefacto según esta información.

Método 2

Pruebe la dureza de su agua con las tiras incluidas con el artefacto.

- 1 Vierta un vaso de agua de la llave y sumerja el área de prueba de la tira en el agua durante un segundo. No sostenga la tira de prueba debajo del chorro de agua.
- 2 Agite la tira para retirar el exceso de agua y espere 1 minuto.
- 3 Verifique el color de la tira contra el cuadro del paquete para determinar la dureza del agua.
- 4 Fije el nivel de ablandamiento en el artefacto.

Tabla de dureza del agua

Dureza del agua							Nivel de ablandamiento
ppm	°d	°e	°f	mmol/l (Ca+Mg)	mg/l (Ca)	Rango	
0	<4	<5	<7	<0.7	<29	Blanda	H0
75	4 - 7	5 - 9	7 - 13	0.7 - 1.3	29 - 50		H1
125	7 - 14	9 - 17.5	13 - 25	1.3 - 2.5	50 - 100		H2
250	14 - 21	17.5 - 26	25 - 38	2.5 - 3.8	100 - 150		H3
375	>21	>26	>38	>3.8	>150	Dura	H4

28 FUNCIONAMIENTO

Configuración del sistema de ablandamiento del agua

Para mejorar el rendimiento de lavado, ajuste el nivel de ablandamiento del agua según la dureza de su agua. El ablandador de agua tiene 5 configuraciones. La configuración predeterminada es H2. Siga estos pasos para verificar la configuración y ajustarla, si fuera necesario.

- 1 Presione los botones **Power (Encendido)** and **Half Load (Media Carga)** simultáneamente.
 - Se indica el valor del ajuste actual.
- 2 Presione el botón **Remote Start (Inicio a distancia)** repetidamente para configurar el nivel de ablandamiento deseado de **H0** a **H4**.
- 3 Presione el botón **Start (INICIO)** para guardar la configuración.
 - La potencia se apaga después de guardar la configuración.

NOTA

- La luz LED de **Salt Refill** se enciende en la pantalla si fuera necesario rellenar el recipiente de sal del lavavajillas.
- Configurar el nivel de ablandamiento en **H0** evita que se encienda la luz LED de **Salt Refill** incluso cuando el recipiente de sal del lavavajillas está vacío.

Relleno del recipiente de sal del lavavajillas

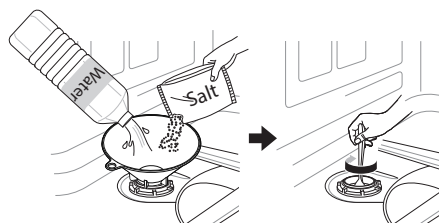
Llene el recipiente de sal del lavavajillas antes de comenzar un ciclo de lavado. Si se necesita más sal, la luz LED de **Salt Refill** se encenderá en pantalla, a menos que el nivel de ablandamiento se configure en H0.

⚠ PRECAUCIÓN

- Después de rellenar el recipiente de sal del lavavajillas, ejecute el ciclo Rinse de inmediato para retirar cualquier residuo de sal de la cuba interior y prevenir la corrosión.

- 1 Retire el estante inferior y la tapa del recipiente de sal ubicado en el lado izquierdo de los filtros.

- 2 Si tiene pensado utilizar el sistema de ablandamiento de agua, debe prepararlo antes de usar el artefacto por primera vez. Para hacer esto, mezcle 2.2 libras (1 kg) de sal de lavavajillas con 34 onzas (1 litro) de agua. Use el embudo incluido para verter la mezcla en el recipiente de sal del lavavajillas. Para obtener más detalles sobre cómo configurar el nivel de ablandamiento, consulte la sección **Antes de usar**.



- 3 Cierre herméticamente la cubierta del recipiente de sal del lavavajillas.
- 4 Ejecute el ciclo **Rinse (Enjuague)** sin vajilla.

Frecuencia de Salt Refill

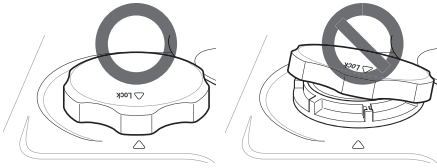
	H1	H2	H3	H4
Ciclos	200	60	30	10

- La frecuencia indicada en la tabla se basa en el uso del ciclo **Auto (Automático)**.
- Los ciclos diferentes pueden usar cantidades distintas de sal.

⚠ PRECAUCIÓN

- Para evitar el mal funcionamiento del producto, no vierta detergente en el recipiente de sal del lavavajillas.
- Limpie los residuos de sal de alrededor de la cubierta del recipiente de sal.
- Cierre la cubierta alineándola horizontalmente y girándola en sentido horario. Si la cubierta no está cerrada herméticamente, la solución salina puede tener fugas hacia el interior de la cuba y causar corrosión.
- Después de rellenar la sal del lavavajillas, ejecute un ciclo Rinse de inmediato sin vajilla para

eliminar cualquier residuo de sal que pudiera causar oxidación o daños al artefacto.



NOTA

- La sal del lavavajillas puede comprarse en línea o en vendedores minoristas de artefactos.

Comienzo rápido

- 1) Cargue la vajilla.
- 2) Agregue el detergente.
- 3) Encienda el lavavajillas.
- 4) Verifique el abrillantador.
- 5) Seleccione el ciclo y las opciones
- 6) Operación del lavavajillas.

• Método 1

- Presione el botón de **Start (INICIO)** y luego cierre la puerta antes de que transcurran cuatro segundos para operar el lavavajillas. Si la puerta no se cierra dentro de los cuatro segundos, suena una alarma y el ciclo no se inicia.

• Método 2

- Cierre la puerta primero y luego presione el botón **Start (INICIO)** para hacer funcionar el lavavajillas.

NOTA

- Si se abre la puerta durante el ciclo, el lavavajillas se detendrá. Para reanudar el ciclo, consulte los métodos 1 y 2 mencionados anteriormente.
- Si se abre la puerta durante el ciclo y no se cierra dentro de los cuatro segundos de haber seleccionado el botón de **Start (INICIO)**, o si se cierra la puerta sin presionar el botón de **Start (INICIO)**, la luz LED blanca con la hora parpadea, suena una alarma y el ciclo no se inicia.

- 7) Fin de ciclo.

- Cuando el ciclo haya finalizado, se emitirá un sonido y la pantalla mostrará **End** hasta que se abra la puerta o hasta que se presione **Power (Encendido)**. A fin de ahorrar energía, mantenga presionado **Delay Start (Inicio retardado)** y **Remote Start (Inicio a**

distancia) simultáneamente durante 3 segundos para configurar que la visualización de **End** para que se apague automáticamente pocos minutos después de que finalice el ciclo.

- Es normal que el lavavajillas suene continuamente si se abre durante el funcionamiento o justo después de terminar el ciclo. El lavavajillas le informa que las temperaturas interiores de la unidad son altas y debe tener cuidado al introducir las manos en el interior. Cuando la unidad se enfría, el pitido se detiene.

Para obtener más información, consulte el manual del propietario disponible en línea.

⚠ PRECAUCIÓN

- No abra la puerta durante la operación ni inmediatamente después de que se haya completado el ciclo de lavado, ya que el vapor que surge del interior puede provocar quemaduras cuando se abra la puerta.

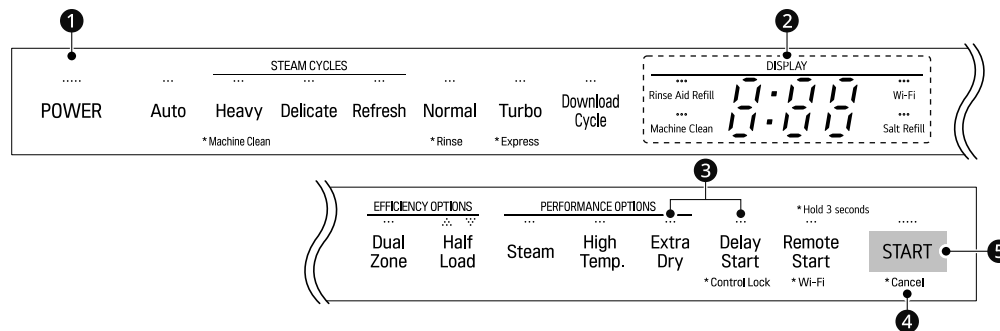
Apagado automático

El lavavajillas se apaga automáticamente luego de cuatro minutos de inactividad en caso de que se lo pause o si no se inicia un ciclo.

30 FUNCIONAMIENTO

Panel de control

Funciones del panel de control



1 Botón de Power (Encendido)

- Presione este botón para encender o apagar la lavadora.
- Después de completar el ciclo, la energía se apaga automáticamente por seguridad y economía.
- Si se produce una sobrecarga eléctrica, un apagón o una interrupción del suministro eléctrico de cualquier clase, la energía se apaga de manera automática por cuestiones de seguridad.
- Cuando se vuelve a conectar la electricidad, el lavavajillas se enciende automáticamente y el ciclo se reanuda.

2 Pantalla

- **Rinse Aid Refill (Recarga del abrillantador)**
 - Este luz LED se enciende cuando el nivel de abrillantador es bajo. La luz LED se apaga automáticamente cuando el compartimiento del abrillantador se vuelve a llenar o el nivel se configura en 0.
 - Refiérase a la sección de **Ajuste de Dispensador de Asistencia de Enjuague**.
- **Machine Clean (Limpieza de la máquina)**
 - La luz LED de **Machine Clean (Limpieza de la máquina)** parpadea cada 30 ciclos. Para activar o desactivar la luz LED, presione el botón de **Delicate (Delicado)** durante tres segundos.
 - Si la opción **Steam (Vapor)** se agrega a un ciclo, la luz LED de **Machine Clean (Limpieza de la máquina)** permanece encendida al final del ciclo.
- **0:00 : Pantalla digital**
 - La pantalla digital del panel de control muestra el tiempo ESTIMADO del ciclo. Cuando se seleccionan el ciclo y las opciones, la pantalla muestra el tiempo estimativo total para completar dichas selecciones. Durante el funcionamiento, la pantalla muestra el tiempo de funcionamiento estimativo restante.

NOTA

- El tiempo estimado en pantalla no incluye los tiempos de retraso para calentar agua, etc.
- Si se selecciona **Delay Start (Inicio retardado)**, la pantalla muestra el tiempo de retraso en horas.
- El tiempo del ciclo podría variar según el nivel de suciedad de su carga.

• **Control Lock (Bloqueo de control)**

- La función de **Control Lock (Bloqueo de control)** ayuda a evitar que se cambien los ajustes durante un ciclo. La selección de esta función bloquea todos los botones, excepto el botón **Power (Encendido)** del panel de control. Esta función no bloquea la puerta.
- Mientras un ciclo está activo, mantenga presionado **Delay Start (Inicio retardado)** por tres segundos para activar o desactivar **Control Lock (Bloqueo de control)**.
- Para comenzar un nuevo ciclo, desactive el **Control Lock (Bloqueo de control)**.

- **Wi-Fi**

- Este luz LED se enciende cuando el electrodoméstico está conectado a Internet a través de una red Wi-Fi doméstica.
- Mantenga presionado **Remote Start (Inicio a distancia)** durante aproximadamente 3 segundos para conectar a la red.

- **Salt Refill (Recarga de sal)**

- Esta luz LED parpadea cuando el nivel de sal es bajo. La luz LED se apaga automáticamente cuando se vuelve a llenar de sal.

3 Pitido del botón de Encendido/Apagado

- Para activar o desactivar los sonidos del botón, mantenga presionados **Extra Dry (Extra Seco)** y **Delay Start (Inicio retardado)** en forma simultánea por tres segundos. El sonido de alerta de error no puede apagarse.

4 Botón de Cancel (Cancelar)

- La bomba de desagüe se activa y se cancela el ciclo. Después de que se termina de desagotar el lavavajillas, se apaga la electricidad.
- Mantenga presionado el botón **Start (INICIO)** durante tres segundos para activarlo.

5 Botón de Start (INICIO)

- Para operar la máquina puede presionar **Start (INICIO)** y cerrar la puerta antes de que transcurran cuatro segundos o cerrar la puerta y presionar **Start (INICIO)**.
- Sonará una alerta si la puerta se cierra más de 4 segundos después de presionar el botón de **Start (INICIO)**.

Ciclos de lavado

Seleccione el ciclo que desee.

Auto (Automático)

Este ciclo detecta la cantidad de suciedad y la dificultad de la suciedad y se optimiza para lograr la mejor limpieza.

Heavy (Pesado)

Este ciclo se utiliza para lavar vajilla con mucha suciedad y con residuos endurecidos. Este ciclo está predeterminado para funcionar con la intensidad de aspersion más elevada y se utiliza para lavar vajilla muy sucia.

Delicate (Delicado)

Use este ciclo para limpiar elementos delicados, como por ejemplo porcelana fina y copas.

Refresh (Refrescar)

Este ciclo refresca y calienta platos que no han sido utilizados durante mucho tiempo.

- No utilice detergente cuando utilice este ciclo.

- La opción de steam (vapor) no puede apagarse en este ciclo.

Normal

Este ciclo es de uso diario, regular o típico para lavar íntegramente una carga completa de vajilla con suciedad normal. La etiqueta de consumo de energía se basa en este ciclo sin ninguna opción.

Turbo

Este ciclo limpiará platos profundamente sucios en una hora usando un poco más de energía y agua.

- Este ciclo no tiene secado. Seleccione la opción **Extra Dry (Extra Seco)** para un mejor secado.

Download Cycle (Descarga de ciclo)

Use un ciclo dedicado que se puede descargar mediante Wi-Fi o NFC.

32 FUNCIONAMIENTO

NOTA

- Únicamente el código de ciclo para el ciclo de Descarga en curso aparece en el electrodoméstico. Consulte la aplicación del teléfono inteligente para encontrar códigos, nombres, y más información acerca de los ciclos disponibles.
- Ciclo por defecto: P1. Caserolas.

Machine Clean (Limpieza de la máquina)

Este ciclo es para limpiar el interior del lavavajillas. Utilice este ciclo sin colocar vajilla en la máquina. Elimina la suciedad residual, los olores, las manchas blancas y otra suciedad. Agregue ácido cítrico u otro agente limpiador para obtener resultados más efectivos.

- Mantenga presionado el botón **Heavy (Pesado)** durante tres segundos para activarlo.

Rinse (Enjuague)

Este es un ciclo rápido para la vajilla que no se lavará de inmediato. Este ciclo enjuaga la vajilla que tiene suciedad en exceso para ablandar los residuos secos. Enjuagar la vajilla evita la aparición de olores en el lavavajillas. No debe utilizarse detergente.

- Este ciclo no tiene secado.
- Mantenga presionado el botón **Normal** durante tres segundos para activarlo.

Express (Exprés)

Este ciclo limpiará rápidamente platos levemente sucios.

- Este ciclo no tiene secado. Seleccione la opción **Extra Dry (Extra Seco)** para un mejor secado.
- Mantenga presionado el botón **Turbo** durante tres segundos para activarlo.

Opciones y funciones adicionales

Seleccione el ciclo deseado y luego, seleccione las opciones para ese ciclo.

Dual Zone (Zona Dual)

Esta opción automáticamente configura una intensidad de aspersion suave en el brazo rociador superior y fuerte en el brazo rociador inferior. Coloque la vajilla muy sucia, como platos y tazones, en la bandeja inferior y la vajilla con poca suciedad, como tazas y platillos, en la bandeja superior para obtener los mejores resultados.

Half Load (Media Carga)

Esta opción lava intensamente al seleccionar la bandeja superior o inferior. Para cargas pequeñas, use solo la bandeja superior o la inferior para ahorrar energía y tiempo. Presione el botón **Half Load (Media Carga)** repetidamente para seleccionar la bandeja superior [⋮] o inferior [⋮] o para cancelar la opción.

Steam (Vapor)

Esta opción agrega vapor al comienzo del ciclo para mejorar el rendimiento de lavado.

High Temp. (Alta temperatura)

Eleva la temperatura de lavado principal para mejorar la limpieza.

Extra Dry (Extra Seco)

Seleccione la opción **Extra Dry (Extra Seco)** para un mejor desempeño de secado. Esta opción agrega tiempo de secado extra al ciclo e incrementa la temperatura de enjuague caliente.

- Cuando la asistencia de enjuague está vacante, la opción **Extra Dry (Extra Seco)** es seleccionada automáticamente.

Delay Start (Inicio retardado)

Esta función retarda el inicio de un ciclo seleccionado. Cada vez que presione el botón **Delay Start (Inicio retardado)**, el tiempo de retardo aumenta en una hora. Es posible configurar el tiempo de retardo entre 1 y 12 horas, en incrementos de una hora.

Remote Start (Inicio a distancia)

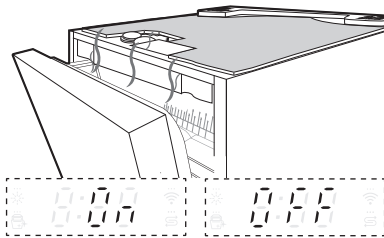
Use un teléfono inteligente para controlar su artefacto de manera remota. También puede monitorear el funcionamiento de su ciclo para

saber cuánto tiempo queda del ciclo. Cuando se ha activado esta función, puede iniciar un ciclo desde la aplicación del teléfono inteligente. Si el ciclo no comenzó, el artefacto esperará para iniciar el ciclo hasta que esté apagado vía remota desde la aplicación o hasta que se desactive esta función.

Auto Open Dry (Sistema Auto Open Dry) (AOD)

Active AOD para abrir la puerta automáticamente en el fin de los ciclos que incluyen secado para mejorar el rendimiento del secado.

- La función AOD no está disponible en todos los modelos.
- Para activar o desactivar la función AOD, mantenga presionados los botones **High Temp. (Alta temperatura)** y **Extra Dry (Extra Seco)** en simultáneo durante 3 segundos.
- La función AOD no está disponible cuando está seleccionado el ciclo **Rinse (Enjuague)**.
- Si el ciclo **Download Cycle (Descarga de ciclo)** está seleccionado, la función AOD podría funcionar incluso si está desactivada. Esto es porque los ciclos descargables están diseñados para lograr el mejor rendimiento de lavado para un propósito específico, independientemente de las configuraciones del artefacto.
- La pantalla muestra si la función AOD está encendida o apagada.



⚠ ADVERTENCIA

- Mantenga a los niños alejados del artefacto cuando está en funcionamiento. La exposición al vapor a altas temperaturas podría causar quemaduras.

Guía de ciclos y opciones

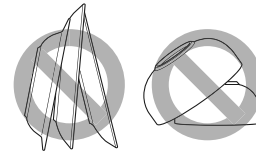
La guía de ciclos muestra las opciones disponibles para cada ciclo.

Para ver la guía de ciclos y opciones, consulte el manual del propietario disponible en línea.

Carga del lavavajillas

La cuba extra alta permite la carga de platos, sartenes u otros utensilios de hasta 11 3/4" de alto. Para un resultado de lavado efectivo, siga siempre instrucciones que se encuentran a continuación.

- Retire las partículas grandes de restos de comida de los platos, incluidos huesos, antes de cargar el artefacto.
- Las piezas con comida quemada deben remojar antes de ser cargados en el lavavajillas.
- Los platos o recipientes profundos deben colocarse invertidos.
- Asegúrese de que las piezas de la vajilla no se toquen entre sí.



Objetos no adecuados para el lavavajillas

La combinación de agua a altas temperaturas y de detergentes para lavavajillas puede dañar ciertos objetos. No lave los siguientes objetos en el lavavajillas:

- Cobre o aluminio anodizado
- Porcelana pintada a mano con oro o plata
- Utensilios con mangos de madera o hueso
- Utensilios de hierro o de material que pueda oxidarse
- Objetos de plástico que no sean aptos para lavavajillas
- Cubiertos de plata o chapados en oro o porcelana fina o con bordes de metal
- Piezas frágiles como, por ejemplo, copas de cristal

⚠ PRECAUCIÓN

- No coloque ollas y sartenes con manijas plásticas en el artefacto ya que las manijas pueden deteriorarse debido al calor y al detergente.
- Puede que no se quiten de los vasos las manchas de lápiz labial de larga duración o a prueba de agua.

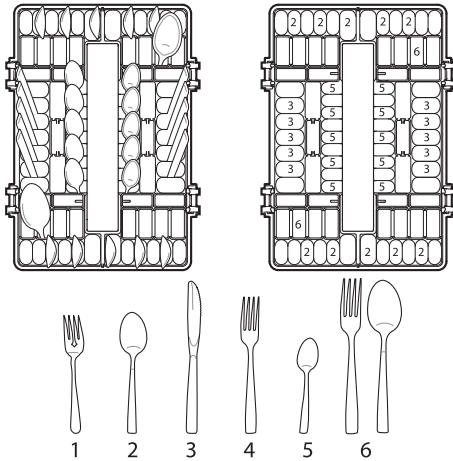
34 FUNCIONAMIENTO

Carga en el cesto para cubiertos

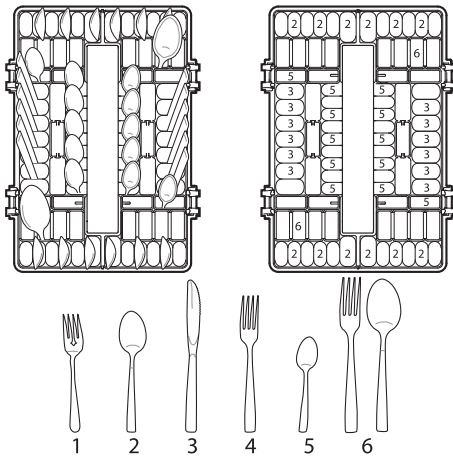
El cesto de cubiertos cuenta con separadores para evitar que se raspen y manchen los cubiertos delicados.

Carga de cubiertos en el cesto

Carga de 10 posiciones



Carga de 12 posiciones



Sugerencias para la carga de cubiertos:

- Para obtener mejores resultados de limpieza, utilice los separadores superiores del cesto cuando cargue los cubiertos. Los separadores evitan que los cubiertos se amontonen.
- Cargue los objetos filosos, como por ejemplo los cuchillos, apuntando hacia abajo.
- Cuando se descarga el lavavajillas, lo mejor es comenzar por el cesto de cubiertos. Esto evitará

que caigan gotas de agua sobre los cubiertos desde la bandeja superior.

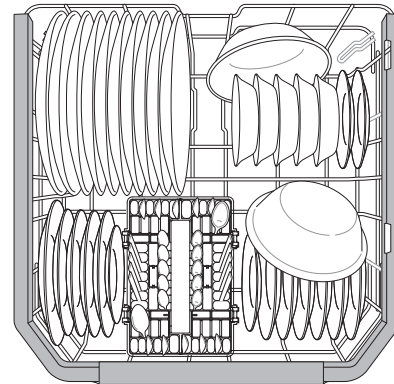
⚠ ADVERTENCIA

- Tenga cuidado al cargar y descargar objetos filosos. Cargue los cuchillos filosos con los mangos hacia arriba para disminuir el riesgo de lesiones personales.

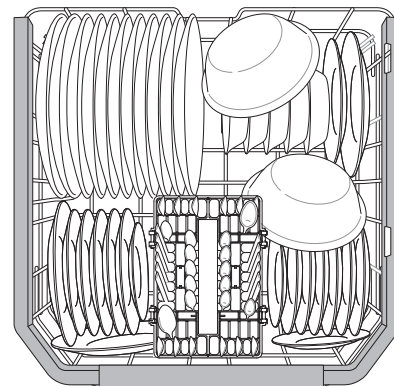
Carga en la bandeja inferior

Carga de platos en la bandeja inferior

Carga de 10 posiciones



Carga de 12 posiciones



Sugerencias de carga para la bandeja inferior:

Para obtener información, consulte el manual del propietario disponible en línea.

Plegado de las puntas separadoras inferiores

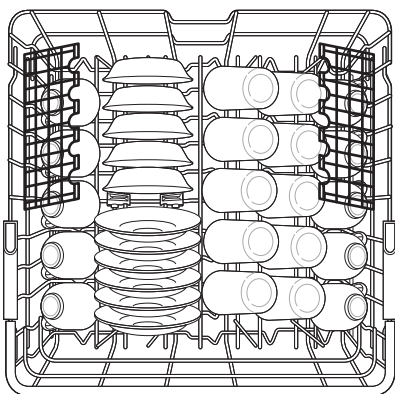
Pliegue las puntas separadoras hacia abajo para acomodar la vajilla más grande; despliegue las puntas separadoras hacia arriba para acomodar la vajilla más pequeña.

Para obtener más información, consulte el manual del propietario disponible en línea.

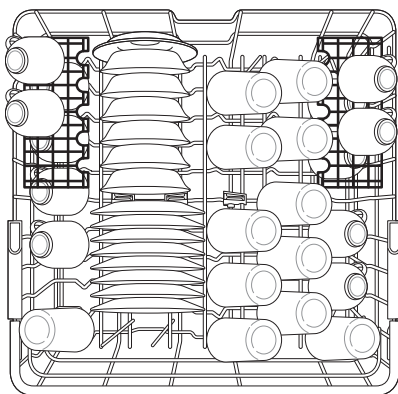
Carga en la bandeja superior

Carga de platos en la bandeja superior

Carga de 10 posiciones



Carga de 12 posiciones



Sugerencias de carga para la bandeja superior:

Para obtener información, consulte el manual del propietario disponible en línea.

Carga del porta copas

Otras tazas o utensilios de cocina se pueden colocar en las bandejas plegables para tazas, que también se adaptan a las copas.

Para obtener más información, consulte el manual del propietario disponible en línea.

Retiro y colocación de la bandeja para tazas

Las bandejas para tazas izquierda y derecha son intercambiables y pueden extraerse.

Para obtener más información, consulte el manual del propietario disponible en línea.

Plegado de las puntas separadoras superiores

Pliegue las puntas separadoras hacia abajo para acomodar la vajilla más grande; despliegue las puntas separadoras hacia arriba para acomodar la vajilla más pequeña.

Para obtener más información, consulte el manual del propietario disponible en línea.

Bandeja superior con altura ajustable

La bandeja superior se ajusta hacia arriba y hacia abajo. Suba la bandeja superior para dar lugar a objetos de hasta 11 3/4" de altura en la bandeja inferior. Baje la bandeja superior para dar lugar a objetos de hasta 10 5/8" de altura en la bandeja superior. El lavavajillas se envía con la bandeja superior subida.

Para obtener más información, consulte el manual del propietario disponible en línea.

⚠ ADVERTENCIA

- Antes de ajustar, asegúrese de que el estante no contenga vajilla de ningún tipo. De lo contrario, los platos pueden dañarse o usted puede sufrir lesiones.

Removiendo el Estante de Encaje Deslizable Superior

Las instrucciones en los manuales del propietario disponibles en línea son más para modelos con estantes encajables que para estantes de soportes con ruedas.

36 FUNCIONAMIENTO

⚠ PRECAUCIÓN

- El estante superior encajable debe ser removido únicamente para servicio. Si desea removerlo utilice guantes y maneje el destornillador con precaución para evitar lesiones personales o daños a la lavadora de platos.

Carga del estante de cubiertos

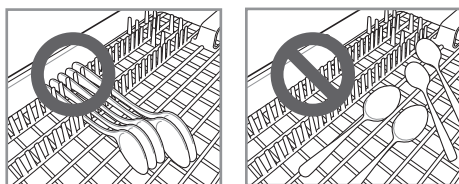
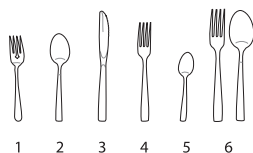
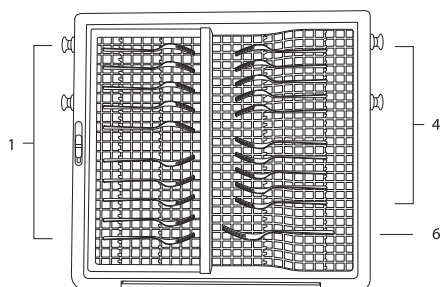
La bandeja para cubiertos es la más adecuada para la cubertería. Los separadores de las bandejas de cubiertos ayudan a mantener la cubertería separada a fin de evitar daños y mejorar la limpieza.

NOTA

- Para un mejor rendimiento de limpieza, coloque la cubertería en los cestos para cubiertos. Los utensilios más sucios o los elementos con comidas quemadas deben ubicarse en el medio de la bandeja o en el cesto para cucharas para lograr un mejor rendimiento.

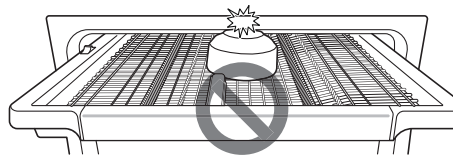
Carga de cubertería en la bandeja para cubiertos

Carga de 10 posiciones



⚠ PRECAUCIÓN

- No coloque recipientes en el centro de la bandeja para cubiertos. Es posible que la puerta no cierre adecuadamente y se produzcan fugas.



Bandeja de altura ajustable

Para obtener información, consulte el manual del propietario disponible en línea.

Extracción de la bandeja para cubiertos

La bandeja para cubiertos puede extraerse por completo en caso de necesitar más espacio en la bandeja superior para objetos más grandes.

Para obtener más información, consulte el manual del propietario disponible en línea.

⚠ ADVERTENCIA

- Tenga cuidado al cargar y descargar objetos con bordes filosos. Cargue los cuchillos filosos con la hoja hacia abajo para disminuir el riesgo de lesiones personales.

Agregado de productos de limpieza

Cómo agregar detergente en el dispensador

- Retire la etiqueta del dispensador antes de hacer funcionar el lavavajillas por primera vez.
- La cantidad de detergente necesario depende del ciclo, el tamaño de la carga y el nivel de suciedad de la vajilla.
- Ponga el detergente en el compartimiento para detergente antes de comenzar cualquier ciclo, salvo para el ciclo de **Rinse (Enjuague)**.

⚠ ADVERTENCIA

- El detergente y el abrillantador para lavavajillas contienen componentes químicos, como todos los detergentes de uso doméstico. Por lo tanto, deben mantenerse fuera del alcance de los niños.

⚠ PRECAUCIÓN

- Solamente utilice detergente especial para lavavajillas. El detergente incorrecto podría hacer que el lavavajillas presente espumación durante el funcionamiento. La espumación excesiva podría reducir el rendimiento de lavado y generar fugas en el lavavajillas.
- Para evitar dañar el dispensador, no tire de éste para cerrar la puerta del lavaplatos.



Para obtener más información, consulte el manual del propietario disponible en línea.

Cómo agregar abrillantador en el dispensador

La luz LED de **Rinse Aid Refill (Ayuda en relleno de enjuague)** aparece en la pantalla cuando se necesita más abrillantador.

Se recomienda utilizar abrillantador para evitar que queden marcas de agua en la vajilla y para mejorar el rendimiento del secado.

Para obtener más información, consulte el manual del propietario disponible en línea.

Ajuste del dispensador de abrillantador

El dispensador tiene cinco niveles de ajuste. El lavavajillas se programa en la fábrica para un nivel de dispensador de abrillantador de 2. Esto puede comprobarse o ajustarse desde el panel de control.

NOTA

- Ajuste la configuración a un nivel más elevado si tiene agua dura o si nota la formación de calcio en su vajilla.
- Ajustar el control del abrillantador a un nivel demasiado bajo producirá manchas y vetas en la vajilla, así como también un bajo rendimiento de secado.
- Ajustar el control a un nivel demasiado elevado puede causar espumación, lo que resultará en un mal lavado.

- 1** Asegúrese de que el artefacto esté apagado.
- 2** Presione los botones **Dual Zone (Zona Dual)** y **Power (Encendido)** simultáneamente para verificar el ajuste actual.
- 3** Presione **Remote Start (Inicio a distancia)** para cambiar el ajuste del dispensador de abrillantador. Cada vez que presione el botón, el nivel se irá modificando, de Nivel 0 (L0) a Nivel 4 (L4).
- 4** Una vez que haya seleccionado el ajuste del dispensador de abrillantador deseado, presione **Start (INICIO)** para guardar.

Recarga del abrillantador

La frecuencia con la que se debe recargar el dispensador depende de la frecuencia con la que se lave la vajilla y el ajuste de abrillantador utilizado.

- La luz LED de **Rinse Aid Refill (Ayuda en relleno de enjuague)** parpadea cuando se necesita más abrillantador, a menos que el ajuste del dispensador de abrillantador esté configurado en L0.

FUNCIONES INTELIGENTES

Aplicación LG ThinQ

La aplicación **LG ThinQ** le permite comunicarse con el electrodoméstico usando un teléfono inteligente.

Funciones de la aplicación LG ThinQ

• Monitorización

- Compruebe el estado, el ciclo, las opciones, el tiempo de operación y el tiempo de finalización del ciclo del aparato en una sola pantalla.

• Download Cycle (Descarga de ciclo)

- Puede descargar ciclos nuevos y especiales que no se encuentren incluidos en los ciclos estándar del artefacto. Conecte el artefacto en la aplicación para descargar una variedad de ciclos especiales específicos. Una vez que se completa la descarga de un ciclo en el artefacto, el producto mantiene el ciclo descargado hasta que se descarga un nuevo ciclo.

NOTA

- Solo se puede guardar un ciclo descargado a la vez en el electrodoméstico.

• Asistente de limpieza de la máquina

- Esta función muestra la cantidad de ciclos restantes antes de ejecutar el ciclo **Machine Clean (Limpieza de la máquina)**.

• Smart Diagnosis

- Esta función brinda información útil para diagnosticar y resolver problemas con el electrodoméstico conforme a su patrón de uso. Seleccione **Smart Diagnosis** en la aplicación y siga las instrucciones. Para obtener información adicional, consulte el manual del propietario disponible en línea.

• Configuración

- Ajuste el nivel de dispensador de abrillantador, el recordatorio de limpieza de la máquina, el señal de nivel y la luz indicadora de limpieza.

Tiene la opción de recibir notificaciones automáticas en su teléfono inteligente cuando haya finalizado el ciclo o cuando el artefacto presente problemas.

• Enviar alertas

- Active **Enviar alertas** para recibir notificaciones del estado del electrodoméstico.

Las notificaciones se enviarán aunque la aplicación **LG ThinQ** esté desactivada.

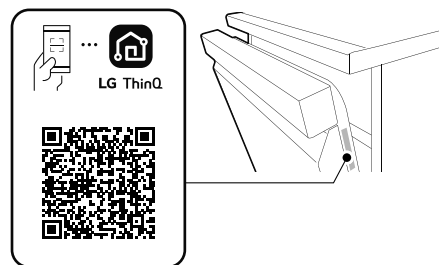
NOTA

- Si cambia de enrutador inalámbrico, proveedor de Internet o contraseña, borre el artefacto conectado de la aplicación **LG ThinQ** y proceda a conectarlo de nuevo.
- Esta información está actualizada en el momento de su publicación. La aplicación está sujeta a cambios, con fines de mejorar el producto, sin previo aviso a los usuarios.

Instalación de la aplicación LG ThinQ y conexión de un electrodoméstico LG

Modelos con código QR

Escanee el código QR que trae el producto con la cámara o una aplicación lectora de códigos QR en su teléfono inteligente.



Modelos sin código QR

- 1 Busque la aplicación **LG ThinQ** en la tienda Google Play o Apple App Store e instálela en su teléfono inteligente.
- 2 Ejecute la aplicación **LG ThinQ** e inicie sesión con su cuenta actual, o cree una cuenta LG para iniciar sesión.
- 3 Pulse el botón Agregar (+) en la aplicación **LG ThinQ** para conectar su electrodoméstico LG. Siga las instrucciones en la aplicación y complete el proceso.

NOTA

- Para verificar la conexión Wi-Fi, verifique que la luz LED de conexión **Wi-Fi** que se encuentra en el panel de control esté encendido.
- El electrodoméstico funciona únicamente con redes Wi-Fi de 2.4 GHz. Contacte a su proveedor de servicios de internet o verifique el manual del enrutador inalámbrico para revisar la frecuencia de su red.
- **LG ThinQ** no es responsable por ningún problema de conexión en red, falla, mal funcionamiento o error causado por la conexión de red.
- El entorno inalámbrico circundante puede hacer que el servicio de red inalámbrica funcione lentamente.
- Si la distancia entre el electrodoméstico y el enrutador inalámbrico es muy grande, la señal será débil. Probablemente le tome más tiempo conectarse o no pueda instalar la aplicación.
- Si el aparato tiene problemas para conectarse a la red Wi-Fi, es posible que se encuentre demasiado lejos del router. Adquiera un repetidor Wi-Fi (extensor de alcance) para mejorar la intensidad de la señal Wi-Fi.
- Es posible que la conexión de red no funcione bien por cuestiones relacionadas con su proveedor de servicios de Internet.
- Es posible que la conexión Wi-Fi no se conecte o se interrumpa debido al entorno de la red doméstica.
- Si el aparato no puede conectarse debido a problemas con la transmisión de la señal inalámbrica, desconéctelo y espere alrededor de un minuto previo a intentarlo de nuevo.
- Si el cortafuegos de su enrutador inalámbrico está activado, desactívelo o añada una excepción a éste.
- El nombre de la red inalámbrica (SSID) debe ser una combinación de letras y números. (No utilice símbolos especiales)
- Puede que la interfaz del usuario del teléfono inteligente (UI) varíe dependiendo del sistema operativo del móvil (os) y del fabricante.
- Puede que la configuración de red falle si el protocolo de seguridad del enrutador está en **WEP**. Cambie el protocolo de seguridad por otro (se recomienda el **WPA2**) y conecte el producto de nuevo.

Uso del artefacto a distancia**Remote Start (Inicio a distancia)**

Use un teléfono inteligente para controlar su artefacto a distancia. También puede controlar el funcionamiento del ciclo, de manera que sepa cuánto tiempo le resta al ciclo.

Uso del inicio a distancia

- 1 Cargue la vajilla en el lavavajillas.
- 2 Presione el botón de **Power (Encendido)**.
- 3 Presione el botón **Remote Start (Inicio a distancia)** y cierre la puerta del lavavajillas para activar la función de control a distancia
- 4 Inicie un ciclo desde la aplicación **LG ThinQ** de su teléfono inteligente.

NOTA

- Cuando se haya activado esta función, solo puede iniciar un ciclo desde la aplicación del teléfono inteligente **LG ThinQ**. Si el ciclo no se inició, el artefacto esperará para iniciar el ciclo hasta que se haya apagado remotamente desde la aplicación o hasta que se haya desactivado esta función.
- Si se ha abierto la puerta, no puede iniciar un ciclo a distancia.
- Si presiona **Start (INICIO)** después de presionar **Remote Start (Inicio a distancia)**, se desactivará la función Remote Start.

Desactivar la función Remote Start (Inicio a distancia) manualmente

Mientras la función Remote Start esté activada, abra la puerta del lavavajillas o presione dos veces el botón **Remote Start (Inicio a distancia)** rápido con la puerta cerrada.

Especificaciones módulo LAN inalámbrico

Rango de frecuencia	2412 MHz - 2462 MHz
Potencia de salida (máx.)	< 30 dBm

40 FUNCIONES INTELIGENTES

Aviso de la FCC

El siguiente aviso abarca el módulo del transmisor que contiene este producto.

Este equipo fue probado y se determinó que cumple con los límites para los dispositivos digitales de Clase B, en conformidad con la parte 15 de las normas de la FCC. Estos límites están diseñados para ofrecer una protección razonable contra interferencias dañinas en una instalación residencial. Este equipo genera, usa y puede emitir energía de radiofrecuencia y, si no se instala y utiliza de acuerdo con las instrucciones, podría causar interferencias dañinas a las comunicaciones por radio. Sin embargo, no se garantiza que dicha interferencia no pueda ocurrir en instalaciones particulares. Si este equipo causa interferencia dañina a la recepción de radio o televisión, que se puede determinar encendiendo y apagando el equipo, se aconseja al usuario intentar corregir la interferencia realizando alguna de las siguientes acciones:

- Reorientar o reubicar la antena receptora.
- Aumentar la separación entre el equipo y el receptor.
- Conectar el equipo a una toma de corriente en un circuito diferente del utilizado por el receptor.
- Consultar al vendedor o a un técnico de radio/TV con experiencia para solicitar ayuda.

El dispositivo cumple con la parte 15 de las Reglas FCC. La operación está sujeta a las siguientes dos condiciones:

- (1) Este dispositivo no debe causar interferencia dañina, y
- (2) Este dispositivo debe aceptar cualquier interferencia recibida, incluso aquellas que pudieran causar un funcionamiento no deseado del dispositivo.

Cualquier cambio o modificación en la construcción de este dispositivo, que no cuente con la aprobación expresa de la parte responsable del cumplimiento, puede anular la autorización del usuario para operarlo.

Declaración sobre exposición a la radiación de RF de la FCC

Este equipo cumple con los límites de exposición a la radiación de la FCC establecidos para entornos no controlados. Este transmisor no se debe ubicar ni operar junto con ninguna otra antena ni transmisor.

El equipo se debe instalar y operar con una distancia mínima de 20 cm (7.8 pulg.) entre la antena y su cuerpo. Los usuarios deben seguir las

instrucciones de operación específicas de manera tal de cumplir con las normas de exposición a la RF.

Declaración de Industry Canada

Este dispositivo contiene transmisores/receptores exentos de licencia que cumplen con las RSS de innovación, ciencia y desarrollo económico exentas de licencia de Canadá. Su funcionamiento queda sujeto a las siguientes condiciones:

- (1) Este dispositivo no debe causar interferencia.
- (2) Este dispositivo debe aceptar cualquier interferencia recibida, incluyendo interferencia que puede causar el funcionamiento no deseado del dispositivo.

Declaración sobre Exposición a Radiación de la IC

Este equipo cumple con los límites de exposición a la radiación de la IC establecidos para entornos no controlados.

Este equipo debe ser instalado y operado con una distancia mínima de 20 cm (7.8 pulg.) entre la antena y su cuerpo.

NOTA

- EL FABRICANTE NO SE HACE RESPONSABLE DE CUALQUIER INTERFERENCIA DE TV O RADIO CAUSADA POR MODIFICACIONES NO AUTORIZADAS A ESTE EQUIPO. TALES MODIFICACIONES PODRÍAN ANULAR LA AUTORIDAD DEL USUARIO PARA PONER EL EQUIPO EN FUNCIONAMIENTO.

Software de código abierto

Para obtener el código fuente bajo GPL, LGPL, MPL y otras licencias de código abierto con las obligaciones para divulgar el código abierto, que contiene este producto, y para acceder a todos los términos de la licencia, avisos de derechos de autor y otros documentos relevantes, visite <https://opensource.lge.com>.

LG Electronics también le proporcionará el código abierto en un CD-ROM por un costo que cubra los gastos de dicha distribución (como el costo del medio, del envío y de la manipulación) una vez realizado el pedido por correo electrónico a la dirección opensource@lge.com.

Esta oferta es válida para todo aquel que reciba esta información durante un período de tres años

después de que se envíe el último cargamento de este producto.

42 MANTENIMIENTO

MANTENIMIENTO

Para mantener el rendimiento y evitar problemas, es importante verificar el exterior y el interior del lavavajillas, incluidos los filtros y los brazos rociadores, a intervalos regulares.

⚠ ADVERTENCIA

- Cuando limpie el exterior y el interior del lavavajillas, no utilice benceno ni solvente. De lo contrario, podría ocasionar un incendio o una explosión.
- Para evitar lesiones físicas durante el cuidado y el mantenimiento o limpieza, use guantes y/o prendas protectoras.

Limpieza y cuidado

Limpieza del exterior

- No utilice escobillas ni limpiadores abrasivos para limpiar el exterior del lavavajillas.
- La mayor parte de la suciedad se puede retirar con un paño húmedo suave o una esponja. Se puede usar un jabón suave para ayudar a desprender la suciedad difícil. Enjuague y seque con un paño suave después de la limpieza.
- Las superficies de acero inoxidable se pueden pulir con un limpiador de acero inoxidable. Siga las instrucciones del limpiador y limpie en la dirección de la veta.

⚠ PRECAUCIÓN

- En caso de derramar aceite de cocina en el exterior del producto, límpielo de inmediato. No limpie el exterior del producto con productos de limpieza que contengan alcohol, diluyentes, blanqueadores, benceno, líquidos inflamables o abrasivos. Estas sustancias pueden decolorar o dañar el electrodoméstico.

Limpieza del interior

- Limpie el interior del lavavajillas periódicamente con un trapo o una esponja suaves y humedecidos para eliminar las partículas de alimentos y suciedad.
- Para eliminar manchas blancas y olores del interior del lavavajillas, ejecute un ciclo con la máquina vacía, sin detergente, colocando la cantidad correspondiente a una taza de vinagre blanco en un recipiente apto para lavavajillas en el estante superior. (El vinagre es un ácido y su uso constante podría dañar el artefacto).

• Uso de **Machine Clean (Limpieza de la máquina)**

- Ejecute el ciclo de limpieza de la máquina una vez al mes o después de cada 30 ciclos para eliminar la suciedad residual, el olor, las manchas blancas y otra suciedad dentro del electrodoméstico.

- 1** Retire todos los platos del electrodoméstico.
- 2** Agregue 3 cucharadas (40 g) de ácido cítrico al dispensador de detergente o siga las instrucciones del fabricante si usa un agente de limpieza para lavavajillas. No use detergente para lavavajillas.
- 3** Presione **Machine Clean (Limpieza de la máquina)** para seleccionar el ciclo **Machine Clean (Limpieza de la máquina)**.
- 4** Presione **Start (INICIO)**.

NOTA

- Ejecute el ciclo del **Machine Clean (Limpieza de la máquina)** una vez por mes, o con más frecuencia si es necesario, para limpiar residuos o acumulación de detergente.
- Si no ha utilizado el lavavajillas durante mucho tiempo, refresque el interior ejecutando el ciclo **Machine Clean (Limpieza de la máquina)** sin detergente. Cuando el ciclo haya finalizado, limpie el interior y el exterior del lavavajillas siguiendo las instrucciones de la sección **MANTENIMIENTO**.

Trampa de aire del desagüe o triturador del fregadero obstruidos

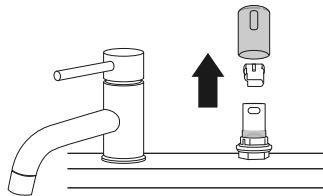
Verifique la trampa de aire del desagüe o el triturador del fregadero si el lavavajillas no desagota correctamente.

NOTA

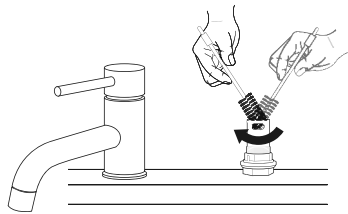
- La trampa de aire del desagüe y el triturador son dispositivos de fontanería externos y no forman parte del lavavajillas.
- La garantía del lavavajillas no cubre los costos de servicio directamente relacionados con la limpieza o la reparación de la trampa de aire de desagüe externa y el triturador.

Limpieza de la trampa de aire

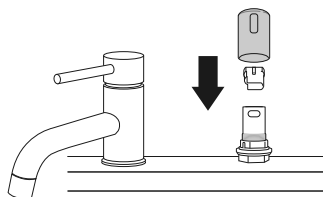
- 1 Apague el lavavajillas.
- 2 Retire la cubierta de la trampa de aire y la tapa plástica que se encuentra debajo.



- 3 Limpie quitando cualquier desecho con un palillo o cepillo.



- 4 Vuelva a colocar la tapa plástica y la cobertura de la trampa de aire.



Limpieza de los filtros

⚠ ADVERTENCIA

- Tenga cuidado con los bordes filosos al manipular el filtro de acero inoxidable.

⚠ PRECAUCIÓN

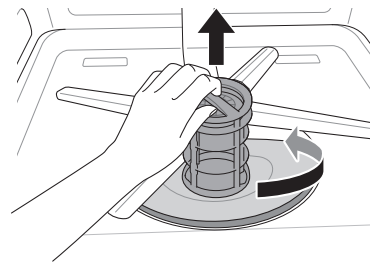
- Retire los restos de comida que se encuentren atascados en los filtros para evitar la acumulación de bacterias que generan malos olores así como también posibles problemas en el desagote.

NOTA

- Para lograr los mejores resultados de lavado, limpie el filtro después de cada carga. Si el filtro sigue sucio, puede causar olores.
- En áreas donde hay agua dura, limpie el filtro utilizando un cepillo suave una vez al mes, como mínimo.
- Limpie los filtros utilizando materiales no abrasivos y agua corriente tibia.

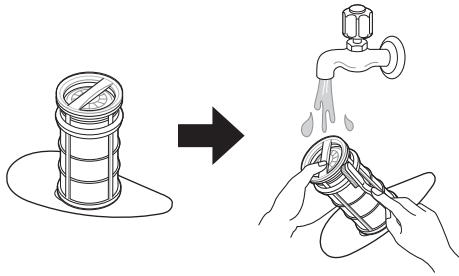
- 1 Retire el estante inferior y coloque brazo rociador del fondo de modo que se abra una V más amplia hacia adelante.

- 2 Gire el filtro interno en sentido contrario a las agujas del reloj y quite el filtro interno ensamblado y el filtro de acero inoxidable. Con los filtros quitados, verifique la apertura del sumidero y elimine cualquier material extraño, si es necesario.

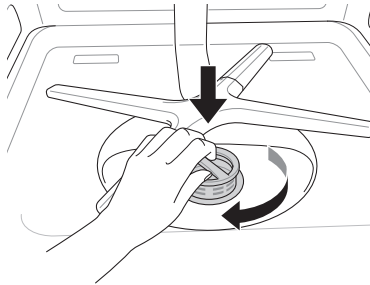


- 3 Limpie los filtros con un cepillo de cerdas suaves bajo el chorro de agua. Ensamble de nuevo los filtros antes de volver a instalarlos.

44 MANTENIMIENTO

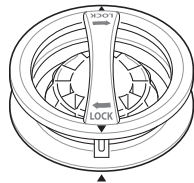


- 4** Para volver a colocar los filtros ensamblados, coloque el brazo rociador de modo que la V más amplia apunte hacia adelante. Encaje los filtros nuevamente en el soporte de filtros y asegúrelos haciendo girar el filtro interior en el sentido de las agujas del reloj hasta que haga clic en su lugar.



NOTA

- Asegúrese de que el filtro esté correctamente ensamblado antes de comenzar un ciclo. Cuando ensamble el filtro, rótelo con firmeza hasta que haga clic.



Programa de limpieza del filtro recomendada

Cantidad de cargas por semana	Si lava la vajilla antes de cargarla	Si quita los residuos y enjuaga la vajilla antes de cargarla
1 - 3	Cada 6 meses	Una vez por año
4 - 7		
8 - 12		Cada 6 meses
13 - 14		

Cantidad de cargas por semana	Si solo quita los residuos de la vajilla antes de cargarla	Si no quita los residuos y enjuaga la vajilla antes de cargarla
1 - 3	Cuatro veces por año	Una vez por mes
4 - 7		Dos veces por mes (cada 15 días)
8 - 12	Cada 1.5 meses	Todas las semanas
13 - 14		Dos veces por semana

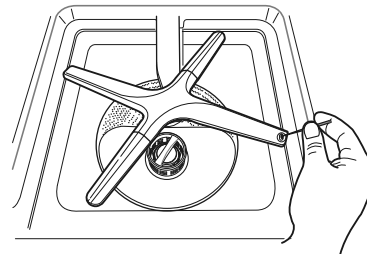
Limpieza del brazo rociador

Si los orificios de los brazos rociadores se encuentran bloqueados por algún residuo de comida, es posible que la vajilla no se lave correctamente debido a que el rociado no se efectuará de forma adecuada.

Se recomienda limpiar los brazos rociadores cada dos semanas.

Limpieza del brazo rociador inferior

- Asegúrese de que los orificios propulsores de agua no estén obstruidos con partículas de alimentos.
- Si algún residuo de comida bloquea los orificios de los brazos rociadores, elimine la suciedad con un alfiler o un alambre punzante.

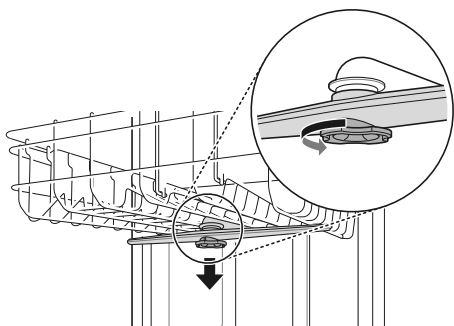


⚠ PRECAUCIÓN

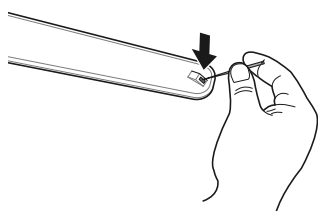
- Para evitar romper las secciones del brazo atomizador rodante, no tire de ellas ni las rote manualmente.

Limpieza del brazo rociador superior

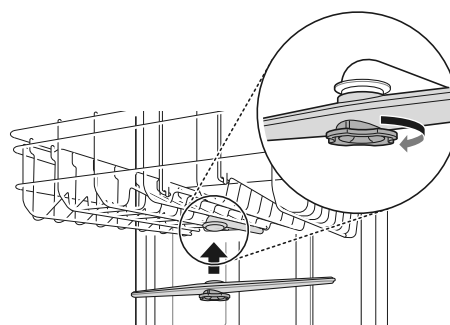
- 1 Tire de la bandeja superior hacia fuera. Asegúrese de que los orificios propulsores de agua no estén obstruidos con partículas de alimentos.
- 2 Cuando sea necesario realizar una limpieza, extraiga el brazo rociador superior girando la tuerca ubicada en la parte inferior del brazo 1/8 de giro en sentido contrario a las agujas del reloj y tire de él hacia abajo.



- 3 Enjuague o sacuda el brazo rociador para quitar las partículas de alimentos.
- 4 Si algún residuo de comida bloquea los orificios de los brazos rociadores, elimine la suciedad utilizando un alfiler o alguna herramienta punzante.



- 5 Cuando haya quitado los residuos de comida, limpie los brazos rociadores bajo el chorro de agua.
- 6 Luego de limpiar el brazo rociador superior, vuelva a colocarlo en su lugar. Gire la tuerca 1/8 de giro en sentido de las agujas del reloj para asegurarse de que la tuerca se bloquee nuevamente en su lugar.



- 7 Luego de ensamblar, asegúrese de que los brazos rociadores giren libremente.

Mantenimiento estacional y almacenamiento

- En caso de que vaya a ausentarse por un extenso período de tiempo durante los meses más calurosos, cierre la válvula de agua, desenchufe la línea de alimentación o apague el interruptor de corriente. Limpie el filtro, la cuba y el dosificador para evitar olores.
- En caso de que vaya a ausentarse por un extenso período de tiempo durante los meses más fríos y exista la posibilidad de que haya temperaturas heladas, prepare las líneas de suministro de agua y el mismo lavavajillas para el invierno. La preparación para el invierno debe ser realizada por personal de servicio calificado.

46 SOLUCIÓN DE PROBLEMAS

SOLUCIÓN DE PROBLEMAS

La lavadora está equipada con un sistema automático de detección de errores para detectar y diagnosticar problemas en una etapa temprana. Si la lavadora no funciona correctamente o no funciona en absoluto, compruebe lo siguiente antes de llamar al servicio técnico.

Antes de llamar al servicio técnico

Para obtener más información sobre la solución de problemas, consulte el manual del propietario disponible en línea.

Videos de soporte para el usuario

Si necesita más ayuda, puede encontrar videos y tutoriales en el sitio web LG.com.

- 1 En la página principal de **www.lg.com**, haga clic en la pestaña **Soporte** del menú para mostrar las selecciones del menú. Seleccione **Video Tutorials**.
- 2 Selecciona una categoría de producto y luego elija un tema o busque una palabra clave.

NOTA

- Escanee este código QR para acceder rápidamente a la página búsqueda de video en el sitio web de LG.



Mensajes de error

Problemas	Causas posibles y solución
I E	<p>Hay un problema en la entrada de agua.</p> <ul style="list-style-type: none"> • Controle que la manguera del agua no esté obstruida, plegada o congelada. • Controle el suministro de agua.
DE	<p>Hay un problema en el desagüe.</p> <ul style="list-style-type: none"> • Controle que la manguera de desagüe de agua no esté obstruida, plegada o congelada. <p>La trampa de aire o el triturador están obstruidos.</p> <ul style="list-style-type: none"> • Limpie la trampa de aire o el triturador. <p>Los filtros están obstruidos.</p> <ul style="list-style-type: none"> • Limpie los filtros.
bE	<p>Exceso de espuma causada por el uso de un detergente inadecuado, como jabón líquido para vajilla.</p> <ul style="list-style-type: none"> • No utilice detergente para lavar vajillas a mano. Utilice solo detergentes diseñados para su uso en lavavajillas automáticos. • Para remover el residuo de detergente en la bañera, vierta aproximadamente 4 oz ~ 8 oz (100 ml ~ 200 ml) de leche en un recipiente poco profundo, colóquelo en el estante superior y ejecute el ciclo Auto (Automático) en el electrodoméstico.

Problemas	Causas posibles y solución
bE	fallo al nivelar el lavaplatos. <ul style="list-style-type: none"> Asegúrese de que el electrodoméstico haya sido nivelado apropiadamente.
RE	Pérdida de agua. <ul style="list-style-type: none"> Corte el suministro de agua al lavavajillas y comuníquese con un Centro de Información al Cliente de LG llamando al 1-800-243-0000 (EE. UU.) o al 1-888-542-2623 (Canadá). El lavavajillas emite un sonido de alerta durante 10 segundos y la bomba de desagüe funciona de manera intermitente. Si se apaga el artefacto, este vuelve a encenderse automáticamente hasta que se resuelve el error AE.
FE	Excesiva cantidad de agua. <ul style="list-style-type: none"> Comuníquese con un centro de información al cliente de LG Electronics llamando al: 1-800-243-0000 (EE. UU.) 1-888-542-2623 (Canadá).
HE	Fallas en el circuito de calentamiento. <ul style="list-style-type: none"> Comuníquese con un centro de información al cliente de LG Electronics llamando al: 1-800-243-0000 (EE. UU.) 1-888-542-2623 (Canadá).
EE	Problema con el sensor de temperatura del agua <ul style="list-style-type: none"> Comuníquese con un centro de información al cliente de LG Electronics llamando al: 1-800-243-0000 (EE. UU.) 1-888-542-2623 (Canadá).
LE	Problema con el motor de lavado <ul style="list-style-type: none"> Comuníquese con un centro de información al cliente de LG Electronics llamando al: 1-800-243-0000 (EE. UU.) 1-888-542-2623 (Canadá).
nE	Problema con el motor Vario. <ul style="list-style-type: none"> Comuníquese con un centro de información al cliente de LG Electronics llamando al: 1-800-243-0000 (EE. UU.) 1-888-542-2623 (Canadá).
P 1, P2, P3, P4	Se seleccionó Download Cycle (Descarga de ciclo). <ul style="list-style-type: none"> Este no es un código de error. Este código indica el ciclo Download Cycle (Descarga de ciclo) en curso.
n:#, U:#, d:#, t# (# es un número).	Modo prueba seleccionado. <ul style="list-style-type: none"> Éste no es un código de error. Este código se utiliza al probar el lavavajillas. Apague y encienda la unidad y el código desaparecerá.
L0, L 1, L2, L3, L4	El modo configuración Nivel de Asistencia de Enjuague se encuentra seleccionado. <ul style="list-style-type: none"> Este no es un código de error. Este código indica el nivel de asistencia de enjuague actual. Para obtener más información, consulte la sección Adding Cleaning Agents (Agregado de agentes de limpieza).
H0, H 1, H2, H3, H4	El modo de configuración de Softener Hardness Level está seleccionado. <ul style="list-style-type: none"> Este no es un código de error. Este código indica el nivel de dureza actual del ablandador. Para obtener más información, consulte la sección Configuración del sistema de ablandamiento del agua.
CL	Control Lock (Bloqueo de control) está activado. <ul style="list-style-type: none"> Este no es un código de error. Este código indica que el bloqueo infantil está activado. Mantenga presionado Delay Start (Inicio retardado) durante tres segundos.

48 SOLUCIÓN DE PROBLEMAS

Wi-Fi

Problemas	Causas posibles y solución
Problemas al conectar el electrodoméstico y el teléfono inteligente a una red Wi-Fi	Se introdujo una contraseña incorrecta para la red Wi-Fi. <ul style="list-style-type: none"> Borre su red Wi-Fi doméstica y vuelva a realizar el proceso de conexión.
	Red Móvil está activada en su teléfono inteligente. <ul style="list-style-type: none"> Desactive la Red Móvil en su teléfono inteligente antes de conectar el electrodoméstico.
	El nombre de la red inalámbrica (SSID) se ha configurado incorrectamente. <ul style="list-style-type: none"> El nombre de la red inalámbrica (SSID) debe ser una combinación de letras y números. (No utilice símbolos especiales)
	La frecuencia del enrutador no es de 2,4 GHz. <ul style="list-style-type: none"> Sólo se admite una frecuencia de enrutador de 2.4 GHz. Configure el enrutador inalámbrico a 2.4 GHz y conecte el electrodoméstico a éste. Para verificar la frecuencia del enrutador, consulte con su proveedor de servicios de internet o con el fabricante del enrutador.
	El electrodoméstico y el enrutador están demasiado alejados. <ul style="list-style-type: none"> Si el electrodoméstico está muy lejos del enrutador, puede que la señal sea débil y que la conexión no se configure correctamente. Reubique el enrutador para que esté más cerca del electrodoméstico o adquiera e instale un repetidor Wi-Fi.
	Durante la configuración de Wi-Fi, la aplicación requiere una contraseña para conectar el producto (en determinados teléfonos). <ul style="list-style-type: none"> Ubique el nombre de la red que comienza con "LG" en Configuración > Redes. Anote la última parte del nombre de la red. <ul style="list-style-type: none"> Si el nombre de la red se asemeja a LGE_Appliance_XX-XX-XX, ingrese lge12345. Si el nombre de la red se asemeja a LGE_Appliance_XXXX, ingrese XXXX dos veces como su contraseña. Por ejemplo, si el nombre de la red aparece como LGE_Appliance_8b92, debería ingresar 8b928b92 como su contraseña. En esta instancia, la contraseña detecta mayúsculas y minúsculas, y los últimos 4 caracteres son únicos a su electrodoméstico.

GARANTÍA LIMITADA

EE. UU.

TÉRMINOS Y CONDICIONES

AVISO DE ARBITRAJE: ESTA GARANTÍA LIMITADA CONTIENE UNA CLÁUSULA DE ARBITRAJE QUE LE DEMANDA A USTED Y A LG ELECTRONICS ("LG") RESOLVER CONFLICTOS A TRAVÉS DE UN ARBITRAJE VINCULANTE EN LUGAR DE HACERLO EN EL TRIBUNAL, A MENOS QUE USTED DECIDA NO PARTICIPAR. EN EL ARBITRAJE NO ESTÁN PERMITIDAS LAS ACCIONES COLECTIVAS NI LOS JUICIOS CON JURADO. POR FAVOR, VEA A CONTINUACIÓN LA SECCIÓN "PROCEDIMIENTO PARA RESOLVER CONFLICTOS".

En caso de que su Lavavajillas LG ("Producto") presente alguna falla por defectos de materiales o de fabricación bajo uso apropiado y normal durante el período de garantía establecido más abajo, será reparado o reemplazado por LG, a su opción. Esta garantía limitada es válida únicamente para el comprador final original del Producto ("Usted"), y para productos comprados legalmente y utilizados dentro de los Estados Unidos, incluidos los territorios norteamericanos.

Período de garantía	Alcance de la garantía	CÓMO SE MANEJA EL SERVICIO TÉCNICO
Dos (2) años a partir de la fecha de compra minorista original	Mano de obra / Piezas	LG también brindará, sin costo alguno, todos los servicios de mano de obra y en sitio para reemplazar la pieza defectuosa.
Cinco (5) años a partir de la fecha de compra minorista original	Placa control principal [†] / Bandeja / Revestimiento de la puerta de acero inoxidable / Cuba	Panel de control principal, estante para lavavajillas, revestimiento de acero inoxidable de la puerta y bañera. El cliente será responsable del costo de mano de obra o servicio en el hogar para reemplazar las piezas defectuosas.
Diez (10) años a partir de la fecha de compra minorista original	Motor Direct Drive	Motor Direct Drive. El cliente será responsable del costo de mano de obra o servicio en el hogar para reemplazar las piezas defectuosas.

[†] La placa control principal está ubicada en la parte inferior derecha del lavavajillas, desde la vista frontal.

- Los Productos y las piezas de repuesto están cubiertos durante el tiempo restante del período original de garantía o noventa (90) días, lo que resulte mayor.
- Los Productos y las piezas de repuesto pueden ser nuevos, reparados, reacondicionados, o reconstruidos por la fábrica.
- Los Productos o piezas reemplazados serán propiedad de LG.
- Es necesario presentar prueba de la compra minorista especificando el modelo del Producto y la fecha de compra para obtener el servicio de garantía conforme a la presente garantía limitada.

SALVO LO PROHIBIDO POR LA LEY, TODA GARANTÍA DE COMERCIALIZACIÓN O IDONEIDAD IMPLÍCITA, PARA UN PROPÓSITO PARTICULAR EN EL PRODUCTO, ESTÁ LIMITADA A LA DURACIÓN DE LA GARANTÍA ARRIBA EXPRESADA. BAJO NINGUNA CIRCUNSTANCIA DEBERÁ LG O SUS DISTRIBUIDORES/REPRESENTANTES SER RESPONSABLE POR CUALQUIER DAÑO INDIRECTO, INCIDENTAL, CONSECUENTE, ESPECIAL, O PUNITIVO, LO CUAL INCLUYE PERO NO SE LIMITA A, PÉRDIDA DE FONDOS DEL COMERCIO, GANANCIAS PERDIDAS, INTERRUPCIÓN DEL TRABAJO, DETERIORO DE OTROS BIENES, COSTO DE REMOVER Y REINSTALAR EL PRODUCTO, PÉRDIDA DE USO, O CUALQUIER OTRO DAÑO YA SEA BASADO EN CONTRATO, PERJUICIO, U OTROS. LA RESPONSABILIDAD TOTAL DE LG, EN CASO EXISTA, NO EXCEDERÁ EL PRECIO QUE USTED PAGÓ POR ADQUIRIR EL PRODUCTO.

ALGUNOS ESTADOS NO PERMITEN LA EXCLUSIÓN O LIMITACIÓN DE DAÑOS INCIDENTALES O EMERGENTES, O LIMITACIONES A LA DURACIÓN DE LA GARANTÍA IMPLÍCITA, POR LO QUE LA

50 GARANTÍA LIMITADA

EXCLUSIONES O LIMITACIONES ANTERIORES PODRÍAN NO CORRESPONDER EN SU CASO. ESTA GARANTÍA LIMITADA LE OTORGA DERECHOS LEGALES ESPECÍFICOS, Y ES POSIBLE QUE USTED CUENTE CON OTROS DERECHOS, QUE VARÍAN SEGÚN EL ESTADO.

ESTA GARANTÍA LIMITADA NO CUBRE LO SIGUIENTE:

- Viajes del servicio técnico para entregar, buscar o instalar el producto, instruir al cliente sobre la operación del mismo, corregir el cableado o las reparaciones/instalaciones no autorizadas.
- Daño o fallo del producto al operar durante fallas e interrupciones del suministro eléctrico, o resultado de un servicio eléctrico inadecuado.
- Daños o fallos del Producto causados por tuberías de agua rotas o con fugas, tuberías de agua congeladas, líneas de desagüe obstruidas, suministro de agua inadecuado o interrumpido, o suministro de aire inadecuado.
- Daños o fallos del Producto causados por operar el Producto en una atmósfera corrosiva o contraria a las instrucciones detalladas en el manual del usuario del Producto.
- Daños o fallos del Producto causados por accidentes, pestes y alimañas, rayos, viento, incendio, inundaciones, causas de fuerza mayor, o cualquier otra causa fuera del control de LG.
- Daños o fallos del Producto causados por modificaciones o alteraciones no autorizadas, o por utilizar el Producto para fines distintos de lo previsto, o pérdida de agua cuando el Producto no se instaló adecuadamente.
- Daños o fallos del Producto causados por corriente eléctrica o voltaje incorrectos, o códigos de cañería.
- Daños o fallos del Producto causados por el transporte, almacenamiento o manipulación, incluidos rayas, muescas, astillados u otros daños al acabado, a menos que tales defectos se informen en el plazo de una (1) semana a partir de la entrega.
- Daños o fallos del Producto causados por mal uso, abuso, instalación, reparación o mantenimiento incorrectos. Una reparación incorrecta incluye el uso de piezas no autorizadas, aprobadas o especificadas por LG. La instalación o el mantenimiento inadecuado incluye aquellos contrarios a lo especificado en el manual del usuario del Producto.
- Daños o fallos del Producto causados por el uso de piezas, componentes, accesorios, productos de limpieza consumibles, u otros productos o servicios no autorizados por LG.
- Daños o artículos faltantes con la caja abierta o que hayan estado en exhibición.
- Productos reacondicionados o cualquier producto vendido con los avisos "En el estado actual", "En el sitio actual", "Con todos sus defectos" o similares.
- Productos cuyos números de serie originales hayan sido retirados, alterados o no se puedan determinar fácilmente.
- Aumentos en los costos de los servicios públicos y otros gastos adicionales de dichos servicios.
- Cualquier ruido asociado con la operación normal.
- Productos utilizados de otra forma que no sea uso doméstico usual y normal (p. ej., uso comercial o industrial) o de forma contraria al manual del usuario del Producto.
- Costos asociados con la remoción y reinstalación del Producto para reparaciones o la remoción y reinstalación del Producto si está instalado en una ubicación inalcanzable o no está instalado de acuerdo con el Manual del propietario del producto.
- Accesorios, componentes extraíbles o partes consumibles (por ejemplo, estantes, compartimentos de la puerta, cajones, filtros de agua o aire, rejillas, bombillas, baterías, etc. según corresponda), excepto las partes internas/funcionales cubiertas por esta garantía limitada.

El costo de reparación o reemplazo en estas circunstancias excluidas estará a cargo de Usted.

PARA OBTENER SERVICIO EN GARANTÍA E INFORMACIÓN ADICIONAL

Llame al 1-800-243-0000 y seleccione la opción apropiada desde el menú.

O visite nuestro sitio web en <http://www.lg.com>

O por correo: LG Electronics Customer Service P.O. Box 240007 Huntsville, AL 35813 ATTN: CIC

PROCEDIMIENTO PARA RESOLVER CONFLICTOS:

TODOS LOS CONFLICTOS ENTRE USTED Y LG QUE SURJAN FUERA DE O RELACIONADOS DE ALGUNA MANERA CON ESTA GARANTÍA LIMITADA O CON EL PRODUCTO, SE RESOLVERÁN EXCLUSIVAMENTE A TRAVÉS DE UN ARBITRAJE VINCULANTE Y NO EN UNA CORTE DE JURISDICCIÓN GENERAL. ARBITRAJE VINCULANTE SIGNIFICA QUE USTED Y LG RENUNCIAN AL DERECHO DE UN JUICIO CON JURADO Y A REALIZAR O PARTICIPAR EN UNA DEMANDA COLECTIVA.

Definiciones. Para el propósito de esta sección, las referencias a "LG" significan: LG Electronics U.S.A., Inc., sus empresas matrices, subsidiarias y filiales y cada uno de sus directivos, directores, empleados, agentes, beneficiarios, predecesores en interés, sucesores, cesionarios y proveedores; las referencias a "conflicto" o "reclamación" incluirán cualquier conflicto, reclamo o controversia de cualquier tipo, sin importar (ya sea basado en contrato, agravio, estatuto, regulación, ordenanza, fraude, falsa representación o cualquier teoría legal o equitativa) que surja de o esté relacionada con cualquier forma de venta, condición o desempeño del producto o de esta Garantía Limitada.

Aviso de disputa. En caso de que usted desee iniciar un procedimiento de arbitraje, primero debe notificar a LG por escrito al menos 30 días antes de iniciar el arbitraje enviando una carta a LG a LG Electronics, USA, Inc. Atención: Legal Department- Arbitration 111 Sylvan Avenue, Englewood Cliffs, NJ 07632. Usted y LG aceptan participar en discusiones de buena fe en un intento de resolver su reclamo de manera amistosa. En la carta debe proporcionar su nombre, dirección y número de teléfono; identificar el producto que es objeto de la reclamación; y describir la naturaleza del reclamo y el remedio que busca. Si usted y LG no pueden resolver la disputa dentro de 30 días, cualquiera de las partes puede proceder a presentar una demanda de arbitraje.

Acuerdo de arbitraje vinculante y renuncia de demanda colectiva. En caso de no resolver la disputa durante el período de 30 días después de enviar una notificación por escrito a LG, Usted y LG se comprometen a resolver cualquier reclamo entre nosotros, solamente a través de arbitraje vinculante sobre una base individual, a menos que usted se excluya, conforme a lo dispuesto a continuación. Cualquier conflicto entre usted y LG no estarán combinados o consolidados con una controversia relacionada con cualquier otro producto o reclamo de otra persona o entidad. Más específicamente y sin perjuicio de lo anterior, no procederá bajo ninguna circunstancia cualquier disputa entre usted y LG como parte de una acción colectiva o representativa. En lugar del arbitraje, cualquiera de las partes podrá iniciar una acción individual en la corte de reclamos menores, pero tales acciones en la corte de reclamos menores no podrán ser realizadas en una acción colectiva o representativa.

Normas y procedimientos de arbitraje. Para comenzar con el arbitraje de un reclamo, usted o LG deben realizar una demanda escrita para arbitraje. El arbitraje será administrado por la Asociación Americana de Arbitraje (AAA) y se llevará a cabo ante un árbitro único bajo las Normas de Arbitraje del Consumidor de la AAA, que tienen efecto al momento de inicio del arbitraje (en adelante "Normas de la AAA") y bajo los procedimientos establecidos en esta sección. Las Normas de la AAA están disponibles en línea en www.adr.org/consumer. Envíe una copia de su solicitud de arbitraje por escrito, así como una copia de esta disposición, a la AAA de la forma descrita en las Normas de la AAA. También debe enviar una copia de su solicitud por escrito a LG en LG Electronics, USA, Inc. Atención: Legal Department- Arbitration 111 Sylvan Avenue, Englewood Cliffs, NJ 07632. Si hay un conflicto entre las Normas de la AAA y las reglas establecidas en esta sección, prevalecerán dichas reglas de esta sección. Esta disposición de arbitraje se rige por la Ley Federal de Arbitraje. El juicio se puede introducir en el laudo arbitral en cualquier tribunal de jurisdicción competente. Todos son temas para que el árbitro tome sus decisiones, excepto aquellos asuntos relativos al alcance y aplicabilidad de la cláusula de arbitraje y de la capacidad de arbitraje de la controversia para que el tribunal decida. El árbitro se regirá por los términos de esta disposición.

Legislación vigente. La legislación del estado de su residencia regirá esta Garantía Limitada, así como todas las disputas entre nosotros, salvo que sea invalidada o inconsistente con leyes federales aplicables.

Tarifas / Costos. Usted no debe pagar ninguna tarifa para comenzar un arbitraje. Al recibir su solicitud de arbitraje por escrito, LG pagará todos los gastos administrativos rápidamente a la AAA, a menos que usted solicite más de \$25,000.00 por daños, en cuyo caso el pago de estos gastos se regirá por las Normas de la AAA. Salvo disposición contraria prevista en el presente documento, LG pagará a la AAA todos los gastos documentales, administrativos y de arbitraje para cualquier arbitraje iniciado, de conformidad con las Normas de la AAA y esta disposición de arbitraje. Si usted prevalece en el arbitraje, LG pagará los honorarios y gastos de sus abogados, siempre y cuando sean razonables, considerando factores que incluyen, entre otros, el monto de la compra y el monto del reclamo. No obstante lo anterior, si la ley aplicable permite una adjudicación de honorarios y gastos razonables de abogados, un árbitro puede otorgarlos en la misma medida que lo haría un tribunal. Si el árbitro considera que la sustancia de su

52 GARANTÍA LIMITADA

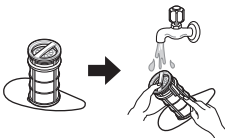
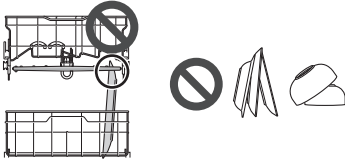
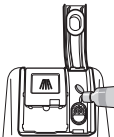

reclamo o la reparación solicitada en la demanda es frívola o se utiliza para un propósito inadecuado (calificado según las normas establecidas en la Norma Federal de Procedimiento Civil 11 (b)), el pago de todos los honorarios de arbitraje se registrará por las Normas de la AAA. En tal situación usted se compromete a reembolsar a LG todos los fondos erogados previamente por ella, cuyo pago es, por otra parte, su obligación, según las Normas de la AAA. Salvo disposición contraria, LG renuncia a cualquier derecho que pudiera tener para solicitarle los honorarios y gastos de sus abogados, si LG prevalece en el arbitraje.


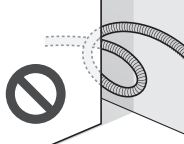
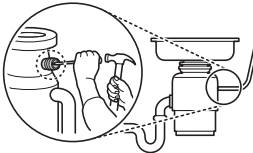
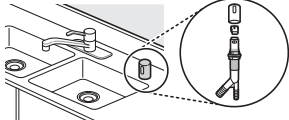
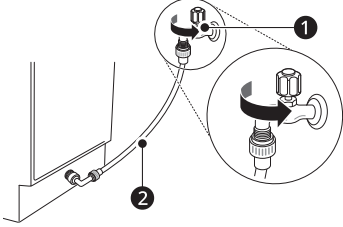
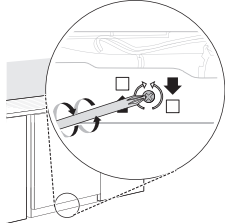
Audiencias y ubicación. Si su reclamo es por \$25,000 o menos, usted puede optar que el arbitraje sea realizado únicamente sobre la base de: (1) documentos presentados al árbitro, (2) a través de una audiencia telefónica o (3) por una audiencia en persona, según lo establecido por las Normas de la AAA. Si su reclamo excede \$25,000, el derecho a una audiencia estará determinado por las Normas de la AAA. Cualquier audiencia de arbitraje en persona se realizará en un lugar dentro del distrito judicial federal en el cual resida, a menos que ambos acuerden otra ubicación o estemos de acuerdo con el arbitraje telefónico.

Exclusión. Usted puede quedarse fuera de este procedimiento de resolución de la disputa. Si se excluye, ni usted ni LG pueden solicitar al otro que participe en un procedimiento de arbitraje. Para excluirse usted debe enviar una notificación a LG, en un lapso de hasta 30 días continuos, contados a partir de la fecha de la primera compra del consumidor del producto, ya sea por: (i) el envío de un correo electrónico a optout@lge.com con el siguiente Asunto: "Exclusión del arbitraje" o (ii) llamada al 1-800-980-2973. Debe incluir en el correo electrónico de exclusión o suministrar por teléfono: (a) su nombre y dirección; (b) la fecha en la cual el producto fue comprado; (c) el nombre o el número del modelo del producto; y (d) el número del serial (el número del serial puede ser hallado (i) en el producto, o (ii) en la dirección de <https://www.lg.com/us/support/repair-service/schedule-repair-continued> al hacer clic en "Find My Model & Serial Number").

Sólo puede excluirse del procedimiento de resolución de conflictos en la forma descrita anteriormente (es decir, por correo electrónico o por teléfono); ninguna otra forma de notificación será efectiva para hacerlo. Excluirse de este procedimiento de resolución de controversias no afectará de ninguna manera la cobertura de la Garantía Limitada, por lo que usted continuará disfrutando de todos sus beneficios. Si conserva este producto y no se excluye, usted acepta todos los términos y condiciones de la cláusula de arbitraje descrita anteriormente.

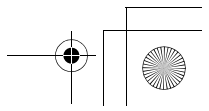
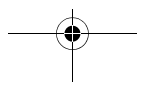
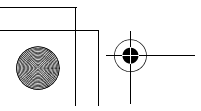
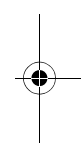
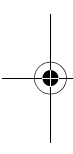
Excepciones a la garantía

<p>Resultados deficientes de lavado causados por desechos remanentes en el filtro.</p>		<p>Limpie el filtro con regularidad.</p>
<p>Resultados deficientes de lavado causados por una carga incorrecta o exceso de apilado: el brazo de lavado no gira o el dispensador de jabón queda cerrado.</p>		<p>Asegúrese de que no haya vajilla ni utensilios que bloqueen los brazos rociadores. No apile la vajilla.</p>
<p>Resultados deficientes de secado causados por falta de abrillantador.</p>		<p>Use abrillantador o detergente combinado.</p>
<p>No se suministra agua porque el grifo no está abierto. Error IE</p>		<p>Verifique y abra la llave de agua.</p>

<p>No hay suministro de agua, porque la manguera de entrada está plegada. Error IE</p>		<p>Vuelva a instalar la manguera de entrada.</p>
<p>No hay desagüe porque la manguera de desagüe está plegada. Error OE</p>		<p>Vuelva a instalar la manguera de desagüe.</p>
<p>El tapón ciego del triturador no se ha extraído. Error OE</p>		<p>Retire el tapón del triturador.</p>
<p>El triturador o la trampa de aire están bloqueados por desechos. Error OE</p>		<p>Limpie el triturador o la trampa de aire.</p>
<p>Problema en la conexión de la válvula de entrada y la manguera de desagüe causado por una instalación inadecuada. Fuga externa</p>	 <p> 1 Llave de agua 2 Manguera de suministro de agua </p>	<p>Reinstale la manguera.</p>
<p>Movimiento de la puerta o cierre comprometido debido a nivelación incorrecta.</p>		<p>Ajuste las patas de nivelación delanteras inferiores a la altura requerida.</p>
<p>No hay energía eléctrica debido a una conexión floja del cable de alimentación o a un problema en el tomacorriente eléctrico.</p>		<p>Reconecte el cable de alimentación o repare el tomacorriente.</p>
<p>Retiro, cableado eléctrico, fontanería. Instalación</p>		<p>Deberá pagar la instalación.</p>



54 Memorándum





Balayez le code QR pour consulter le manuel.



MANUEL D'UTILISATION

LAVE-VAISSELLE

Veillez lire soigneusement le présent manuel d'utilisation avant de faire fonctionner l'appareil et conservez-le à portée de la main pour le consulter en tout temps. Cette version abrégée traite d'avis sécuritaires pour l'utilisateur, précautions et informations d'installation.

Pour consulter le manuel intégral, vous pouvez :

1. Manuel en ligne : visitez le site Web LG à : <http://gscs-manual.lge.com/Total/HQ/GatewayPage/main.html> ou scannez le code QR ici-haut ; ou alors
2. Copie PDF imprimable : visitez lg.com et recherchez votre numéro de modèle ; ou alors
3. Appelez ou écrivez au service à la clientèle tel que prévu à la section garantie limitée.

FRANÇAIS

SDWD24P3

www.lg.com

Copyright © 2022 LG Electronics Inc. Tous droits réservés

2

TABLE DES MATIÈRES

3 CONSIGNES DE SÉCURITÉ IMPORTANTES

- 3 LISEZ TOUTES LES CONSIGNES AVANT L'UTILISATION
- 3 AVERTISSEMENTS
- 6 MISES EN GARDE

8 APERÇU DU PRODUIT

- 8 Caractéristiques du produit

10 INSTALLATION

- 10 Avant l'installation
- 11 Préparer l'ouverture de l'armoire
- 13 Préparer le lave-vaisselle
- 14 Préparation des raccords des conduites d'eau et du branchement électrique
- 16 Positionnement du lave-vaisselle dans l'ouverture de l'armoire
- 17 Raccordement de l'alimentation en eau et branchement électrique
- 17 Raccordement du tuyau de vidange
- 19 Mise de niveau du lave-vaisselle
- 21 Fixation du panneau d'armoire au lave-vaisselle
- 23 Fixation du lave-vaisselle dans l'ouverture de l'armoire
- 24 Dernière vérification de l'installation

26 FONCTIONNEMENT

- 26 Avant l'utilisation
- 30 Panneau de commande
- 31 Cycles de lavage
- 32 Autres options et fonctionnalités
- 33 Chargement du lave-vaisselle
- 34 Chargement du panier à ustensiles
- 35 Chargement du panier inférieur
- 35 Chargement du panier supérieur
- 36 Chargement du panier à couverts
- 37 Ajout de produits de nettoyage

39 FONCTIONS INTELLIGENTES

- 39 Application LG ThinQ

43 ENTRETIEN

- 43 Nettoyage et entretien

47 DÉPANNAGE

- 47 Avant d'appeler le réparateur

50 GARANTIE LIMITÉE

- 50 POUR CANADA

CONSIGNES DE SÉCURITÉ IMPORTANTES

LISEZ TOUTES LES CONSIGNES AVANT L'UTILISATION

FRANÇAIS

Messages de sécurité

Il est très important d'assurer votre sécurité et celle des autres.

Nous fournissons de nombreux conseils de sécurité importants dans ce manuel et sur votre appareil. Lisez toujours l'ensemble des messages de sécurité et respectez-les.



Ceci est le symbole d'alerte de sécurité.

Ce symbole vous alerte de dangers potentiels qui peuvent causer la mort ou des blessures. Tous les messages de sécurité seront précédés du symbole d'alerte de sécurité et du terme AVERTISSEMENT ou MISE EN GARDE.

Voici le message que ces mots véhiculent :



AVERTISSEMENTS

Vous pouvez être tué ou gravement blessé si vous ne suivez pas les consignes.



MISES EN GARDE

Vous pouvez être légèrement blessé ou pouvez endommager le produit si vous ne suivez pas les consignes.

Tous les messages de sécurité vous indiqueront quel est le danger potentiel, comment réduire les risques de blessures et ce qui peut se produire en cas de non-respect des consignes.

AVERTISSEMENTS

AVERTISSEMENT

- Pour réduire les risques d'explosion, d'incendie, de mort, de décharge électrique, de brûlure ou de blessures lors de l'utilisation de l'appareil, prenez les précautions élémentaires, y compris les suivantes :

Installation

- Branchez l'appareil dans un circuit électrique à protection, à valeurs nominales et de taille adéquates pour éviter une surcharge électrique.
- Pour réduire le risque de blessure grave ou de décès, suivez toutes les consignes d'installation.
- L'appareil doit être installé et mis à la terre conformément au code du bâtiment local par le personnel qualifié.
- Débranchez le câble d'alimentation électrique, retirez le fusible ou éteignez le disjoncteur avant l'installation ou l'entretien de l'appareil.
- Pour déplacer ou installer l'appareil dans un autre emplacement, faites appel à un technicien qualifié.
- Gardez le matériel d'emballage hors de portée des enfants. Le matériel d'emballage pose un danger pour les enfants. Il y a un risque de suffocation.
- Au moins deux personnes sont requises pour déplacer ou installer l'appareil.
- Cet appareil n'est pas conçu pour un usage nautique ou mobile, comme dans un véhicule récréatif, une roulotte ou un avion.
- Entrez et installez l'appareil dans un endroit où il ne sera pas exposé à des températures sous le point de congélation ni aux intempéries.
- Cet appareil doit être placé près d'une prise électrique.

4 CONSIGNES DE SÉCURITÉ IMPORTANTES

- Vous ne devez en aucun cas couper ou retirer le câble de mise à la terre du câble d'alimentation électrique.
- Lorsque vous installez ou déplacez l'appareil, faites attention de ne pas pincer, écraser, ni endommager le câble d'alimentation électrique.
- N'installez pas l'appareil dans un endroit humide.
- Détruisez l'emballage en carton, le sac en plastique et tout autre matériel d'emballage après avoir déballé l'appareil. Les enfants pourraient jouer avec ces articles. Le carton, lorsque recouvert de tapis, de draps ou de pellicule de plastique, peut se transformer en chambre étanche.
- N'essayez jamais d'utiliser cet appareil s'il est endommagé, défectueux ou partiellement démonté, s'il manque des pièces ou si des pièces sont endommagées. Ceci concerne également un câble d'alimentation électrique abîmé.
- Respectez toutes les procédures de sécurité recommandées de l'industrie, incluant le port de gants à longs poignets et de lunettes de sécurité.
- L'installateur doit prendre soin de placer le lave-vaisselle dans un endroit totalement clos au moment de l'installation.
- Utilisez des tuyaux neufs pour raccorder l'appareil à l'alimentation en eau. Ne réutilisez pas des tuyaux usagés.
- Après l'installation, vérifiez si le raccordement du tuyau fuit.
- Ne placez pas d'objets lourds sur le câble d'alimentation électrique de l'appareil et ne l'abîmez pas.

FONCTIONNEMENT

- Réparez ou remplacez immédiatement tout câble d'alimentation électrique dénudé ou endommagé. N'utilisez pas un câble avec des fissures ou des dommages dus à une abrasion sur sa longueur ou sur l'une de ses extrémités.
- Si l'appareil produit un bruit bizarre, une odeur chimique ou de brûlé ou de la fumée, débranchez-le immédiatement et communiquez avec le Centre d'information à la clientèle de LG Electronics.
- Ne débranchez jamais l'appareil en tirant sur le câble d'alimentation électrique.
- N'utilisez pas de rallonge électrique ni d'adaptateur avec cet appareil.
- Ne saisissez pas le câble d'alimentation électrique et ne touchez pas les boutons de l'appareil avec les mains mouillées.
- Ne modifiez et ne prolongez pas le câble d'alimentation électrique.
- Si l'appareil a été immergé, communiquez avec le Centre d'information à la clientèle de LG Electronics pour obtenir des directives avant de recommencer à l'utiliser.
- N'entrez pas d'essence ou d'autres vapeurs inflammables à proximité de cet appareil ou d'autres appareils.
- Veillez à maintenir la zone située en-dessous et autour de vos appareils électroménagers dégagée de matières combustibles (peluche/charpie, papier, chiffons, etc.), d'essence, de produits chimiques et d'autres vapeurs ou liquides inflammables.
- Cet appareil n'est pas destiné à être utilisé par des personnes (incluant des enfants) dont les capacités physiques, mentales ou sensorielles sont réduites, ou qui n'ont pas l'expérience ou les connaissances pour le faire, à moins d'avoir reçu des instructions et d'avoir été supervisées par une personne responsable de leur sécurité.
- Si le câble d'alimentation électrique est endommagé, il doit être remplacé par le fabricant uniquement, par son agent de maintenance, ou toute personne qualifiée, afin d'éviter tout risque.
- Ne forcez pas la porte et ne posez pas votre poids sur la porte de l'appareil.
- Lisez toutes les instructions avant d'utiliser l'appareil et conservez ces instructions.
- N'utilisez l'appareil qu'aux fins pour lesquelles il est conçu.
- Ne laissez pas des enfants jouer sur, dans ou avec l'appareil. Il est nécessaire de surveiller étroitement les enfants lorsque l'appareil fonctionne à proximité d'eux.

- Ne modifiez pas les commandes.
- En cas de fuite de gaz (propane, gaz naturel, etc.), ne faites pas fonctionner cet appareil ni tout autre appareil. Ouvrez immédiatement une fenêtre ou une porte pour aérer la zone.
- Dans certaines conditions, de l'hydrogène peut se former dans un système d'eau chaude qui pas été utilisé pendant deux semaines ou plus. L'HYDROGÈNE EST UN GAZ EXPLOSIF. Si le système d'eau chaude n'a pas servi pendant une telle durée, ouvrez tous les robinets d'eau chaude et laissez l'eau couler pendant plusieurs minutes avant d'utiliser l'appareil. Cette procédure permettra d'évacuer toute trace d'hydrogène accumulé. Comme l'hydrogène est un gaz inflammable, ne fumez pas pendant ce temps, et n'utilisez pas de feu.
- Fixez le tuyau de vidange en serrant fermement.
- Utilisez seulement les détergents ou les agents mouillants recommandés pour une utilisation dans un lave-vaisselle et gardez-les hors de la portée des enfants.
- Ne laissez pas les enfants ingérer du détergent ou un produit de rinçage pour lave-vaisselle.
- Lors du remplissage du lave-vaisselle :
 - Placez les objets coupants de manière à ce qu'ils ne risquent pas d'endommager le joint de la porte.
 - Placez les couteaux pointus le manche vers le haut pour limiter le risque de coupures ou d'autres blessures.
- Ne lavez pas d'articles en plastique sauf si ceux-ci portent l'indication « sans danger au lave-vaisselle » ou l'équivalent. Dans le cas des articles en plastique ne portant aucune indication, consultez les recommandations du fabricant.
- Ne touchez PAS à l'ÉLÉMENT CHAUFFANT pendant ou immédiatement après l'utilisation.
- Ne mettez pas le lave-vaisselle en marche avant d'avoir correctement mis en place les panneaux du BOÎTIER.
- Ne forcez pas la porte et ne posez pas votre poids sur la porte ou sur les paniers du lave-vaisselle.
- Installez ou rangez le lave-vaisselle dans un lieu non exposé aux intempéries.
- Après avoir nettoyé la vaisselle, fermez complètement l'arrivée d'eau. Avant de nettoyer, ouvrez l'arrivée d'eau et vérifiez les raccords.
- N'ouvrez pas la porte de l'appareil lors du fonctionnement. Pour des raisons de sécurité, la pompe de vidange fonctionne en cas d'ouverture de la porte, ce qui entraîne un cycle plus long.
- Fermez la porte de l'appareil avec prudence pour éviter d'accrocher vos mains.
- Ne branchez pas le lave-vaisselle dans une prise de courant endommagée.
- N'installez pas le lave-vaisselle près de composants électriques et ne le mettez pas à proximité d'un lieu exposé aux flammes.
- Ne lavez pas de plats exposés à l'essence, aux solvants ou à d'autres matières inflammables.
- Pendant le nettoyage, ne vaporisez pas d'eau directement sur le produit.
- N'appuyez pas sur les touches à l'aide d'un objet pointu comme une alêne ou une épingle.
- N'utilisez pas de détergents à base de solvants.
- Évitez tout contact avec la sortie de vapeur.
- De petites pièces, comme les pinces de grille et les butées de support du filtre, posent un risque de suffocation pour les jeunes enfants s'ils sont retirés du lave-vaisselle. Gardez-les hors de la portée des jeunes enfants.

Entretien

- Ne réparez pas et ne remplacez pas de pièce de l'appareil. Tous les entretiens et les réparations doivent être faits par du personnel d'entretien qualifié, à moins d'indications contraires dans le présent guide de l'utilisateur. Utilisez seulement des pièces autorisées par le fabricant.
- Ne désassemblez pas et ne réparez pas l'appareil vous-même.
- Retirez la poussière ou tout corps étranger du câble d'alimentation électrique.

6 CONSIGNES DE SÉCURITÉ IMPORTANTES

- Débranchez cet appareil de la prise électrique avant de le nettoyer et avant toute tentative d'entretien. L'utilisation du panneau de commande pour éteindre l'appareil ne coupe pas l'alimentation.
- Avant de mettre la laveuse hors service ou au rebut, retirez-en la porte pour éviter que des enfants ou des petits animaux y soient accidentellement enfermés.
- Débranchez l'appareil avant de le nettoyer pour éviter le risque de décharge électrique.
- Avant de mettre l'appareil au rebut, coupez le câble d'alimentation électrique et détruisez le panneau de commandes de l'appareil.

Instructions de mise à la terre

- Cet appareil doit être mis à la terre. En cas de mauvais fonctionnement ou d'une panne, la mise à la terre réduira le risque de décharge électrique en fournissant au courant électrique un chemin de moindre résistance.
- Cet appareil est équipé d'un cordon électrique doté d'un conducteur et d'une fiche de mise à la terre.
- La fiche doit être branchée sur une prise appropriée, elle-même correctement installée et mise à la terre, conformément à toutes les normes et réglementations locales.

AVERTISSEMENTS

Une mauvaise connexion du conducteur de mise à la terre peut entraîner un risque de décharge électrique. Renseignez-vous auprès d'un électricien qualifié ou d'un représentant du service à la clientèle si vous n'êtes pas certain que l'appareil est correctement mis à la terre. Ne modifiez pas la fiche fournie avec l'appareil; si elle ne rentre pas dans la prise, faites installer une prise appropriée par un électricien qualifié.

Risque de basculement

- N'utilisez pas le lave-vaisselle avant de l'avoir installé complètement.
- Ne poussez pas la porte du lave-vaisselle vers le bas quand elle est ouverte.
- Le non-respect de ces consignes peut entraîner de graves blessures ou coupures.

MISES EN GARDE

MISE EN GARDE

- Pour réduire les risques de blessures mineures, de pannes ou de dommages causés à l'appareil ou à la propriété lors de l'utilisation de l'appareil, prenez les précautions élémentaires, y compris les suivantes :

Installation

- Installez le produit sur un plancher ferme et au niveau.
- Ce lave-vaisselle doit être raccordé à une source d'eau chaude dont la température se situe entre 120 °F (49 °C) et 149 °F (65 °C). Cette plage de températures offre de meilleurs résultats de lavage et les durées de cycle les plus courtes. La température ne doit pas dépasser 149 °F (65 °C) pour éviter d'endommager la vaisselle.
- Ne placez pas le tuyau de vidange sous le lave-vaisselle durant l'installation.
- Faites attention lors de l'ouverture et de la fermeture de la porte de l'appareil avant d'installer le panneau personnalisé. Elle pourrait s'ouvrir ou se fermer brusquement.

FONCTIONNEMENT

- Ne placez pas d'objets sur le dessus de l'appareil.

- Fermez les robinets d'eau et débranchez l'appareil si vous quittez votre résidence pendant longtemps, comme lorsque vous partez en voyage.
- Ne rangez pas et ne renversez pas les détergents liquides, les nettoyants ou les javellisants (au chlore ou à l'oxygène) sur le dessus de l'appareil. Cela pourrait entraîner de la corrosion, de la décoloration ou des dommages à la surface de l'appareil.
- Ne touchez pas à l'eau de vidange, qui peut être brûlante.
- Si le tuyau de vidange et le tuyau d'alimentation en eau gèlent durant l'hiver, il faut les dégeler avant d'utiliser l'appareil.
- Ne mettez pas vos mains, vos pieds ou des objets métalliques sous ou derrière l'appareil.
- Ne placez pas le tuyau de vidange sous le lave-vaisselle durant l'installation.

Entretien

- Si de l'huile de cuisson est renversée sur la surface extérieure de l'appareil, essuyez-la immédiatement. Ne nettoyez pas la surface extérieure de l'appareil avec des produits de nettoyage contenant de l'alcool, du diluant, du javellisant, du benzène, du liquide inflammable ou des substances abrasives. Ces substances peuvent décolorer ou endommager l'appareil.

GARDEZ CES CONSIGNES

8 APERÇU DU PRODUIT

APERÇU DU PRODUIT

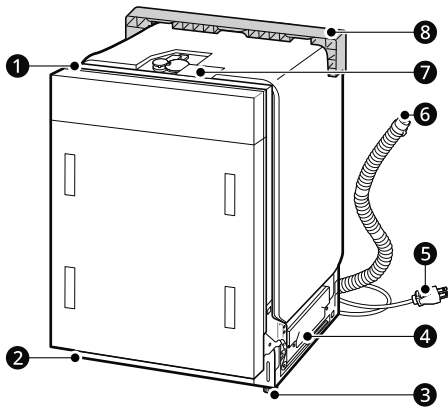
Caractéristiques du produit

Les illustrations contenues dans ce manuel peuvent être différentes des composants et accessoires réels, et ceux-ci peuvent être modifiés sans préavis par le fabricant dans le but d'améliorer le produit.

REMARQUE

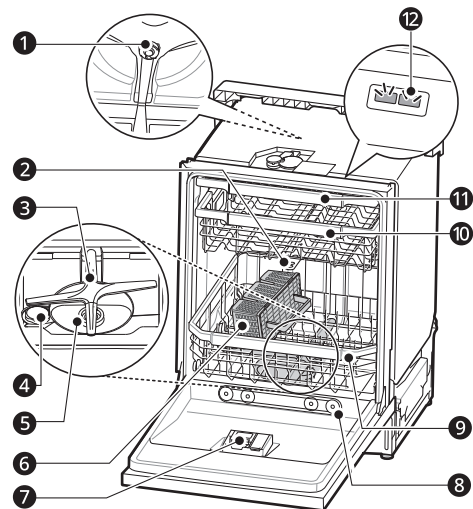
- Pour votre sécurité et pour prolonger la vie du produit, n'utilisez que des composants autorisés. Le fabricant décline toute responsabilité en cas de dysfonctionnement du produit ou d'accidents consécutifs à l'utilisation de pièces non autorisées et achetées séparément.
- Ne retirez jamais le couvercle de sécurité.
- Pour assurer sa fiabilité, chaque lave-vaisselle LG subit un contrôle de qualité approfondi avant de quitter l'usine.
- Vous pouvez trouver des gouttelettes d'eau ou des taches d'eau résultant de ce processus dans votre nouveau lave-vaisselle.

Vue de l'avant



- 1 Panneau de commande
- 2 Paroi inférieure
- 3 Pieds de nivellement
- 4 Base
- 5 Cordon d'alimentation
- 6 Tuyau de vidange
- 7 Couvercle de sécurité
- 8 Armature d'expédition

Vue de l'intérieur



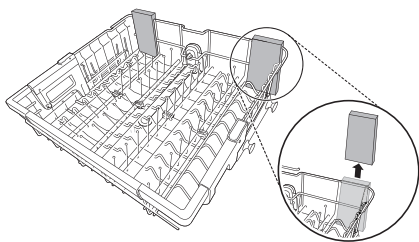
- 1 Pompe de lavage supérieure
- 2 Bras de lavage supérieur
- 3 Bras de lavage inférieur
- 4 Couvercle du récipient de sel du lave-vaisselle
- 5 Système de filtrage
- 6 Panier à couverts
- 7 Distributeur de détergent et de produit de rinçage
- 8 Buse à vapeur
- 9 Panier inférieur
- 10 Panier supérieur

11 Panier à ustensiles

12 Lumière de cuve

REMARQUE

- Le panier à couverts est installé à l'arrière du panier inférieur pour l'expédition de l'appareil. Pour obtenir un rendement optimal, installez-le sur le côté droit.
- Retirez tout le matériel d'emballage à l'intérieur et à l'extérieur du lave-vaisselle avant de l'installer.



5 Paroi inférieure

6 Ruban de protection contre l'humidité (ruban d'aluminium)

7 Ruban de protection contre l'humidité (ruban avec côté en aluminium)

8 Ruban adhésif molletonné

9 Support de panneau (4 ch., en haut et au milieu)

10 Support de panneau (2 ch., en bas)

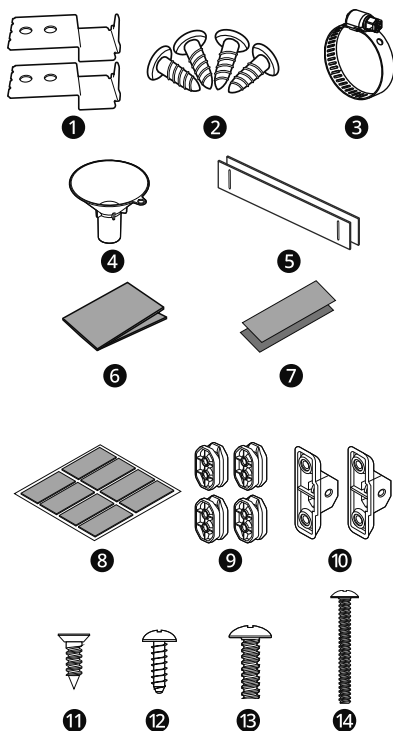
11 Vis de fixation (12 ch., Ø4 mm x 14 mm)

12 Vis du couvercle inférieur (2 ch., Ø4 mm x 14 mm)

13 Vis à bois (2 ch., Ø4 mm x 14 mm)

14 Vis de réglage de la porte (2 ch., Ø4 mm x 34 mm)

Accessoires



1 Supports d'installation (2 ch.)

2 Vis à bois (4 ch., Ø4,5 mm x 12 mm)

3 Collier de serrage

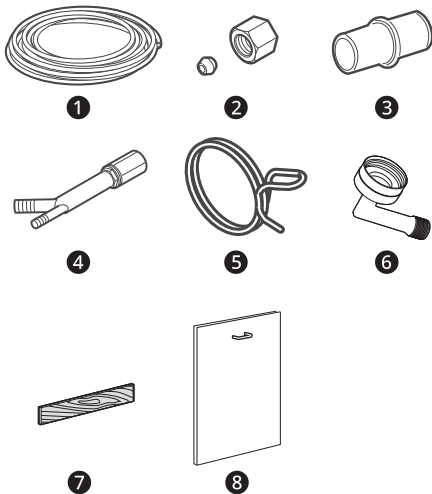
4 Entonnoir

Caractéristiques du produit

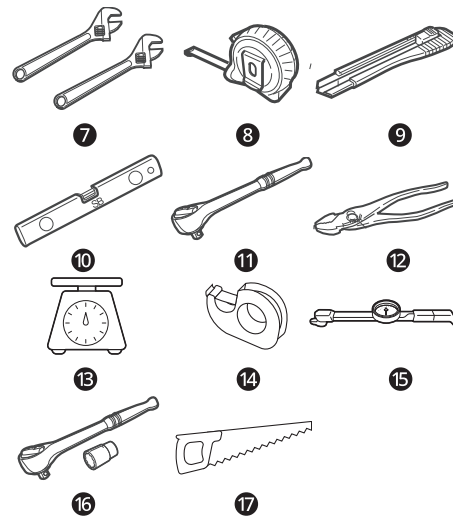
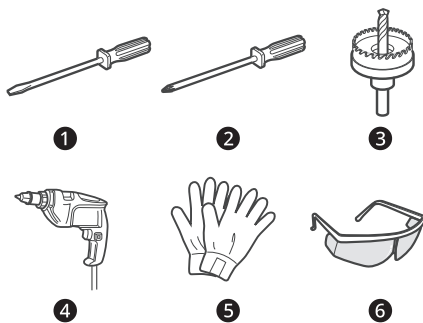
L'aspect et les caractéristiques énumérés dans le présent manuel peuvent varier en raison des constantes améliorations apportées au produit.

Modèle	SDWD24P3
Alimentation électrique	120 V, 60 Hz c.a. seulement, Disjoncteur de 15 A
Pression d'eau	De 20 psi à 80 psi (de 140 kPa à 550 kPa)
Dimensions (Largeur X Hauteur X Profondeur)	23 1/2 po x 32 1/16 po x 21 7/8 po (598 mm X 815 mm X 554 mm)
Température de l'arrivée d'eau	120 °F - 149 °F (49 °C - 65 °C)
Poids net	88 lb (40 kg)

10 INSTALLATION

INSTALLATION**Avant l'installation****Pièces non fournies**

- ❶ Tube d'alimentation en eau
 - Conduite d'alimentation en eau : tuyau en cuivre ou en acier inoxydable tressé d'un diamètre extérieur d'au moins 3/8 po
- ❷ Raccords pour tubes
- ❸ Coupleur
- ❹ Coupure antirefoulement
- ❺ Collier de serrage
- ❻ Coude de 3/4 po
- ❼ Plinthe (bois)
- ❽ Panneau de bois et poignée

Outils nécessaires

- ❶ Tournevis plat
- ❷ Tournevis Phillips
- ❸ Scie-cloche à lame de 2 1/2 po (6,35 cm) min.
- ❹ Perceuse électrique
- ❺ Gants
- ❻ Lunettes de protection
- ❼ Clé ajustable (2 ch)
- ❽ Ruban à mesurer
- ❹ Couteau tout usage
- ❺ Niveau
- ❺ Clé à tête carrée 1/4 po (0,64 cm)
- ❺ Pincés
- ❺ Échelle
- ❺ Ruban
- ❺ Clé dynamométrique
- ❺ Clé à tête carrée de 3/8 po avec douille de 1/2 po
- ❺ Scie

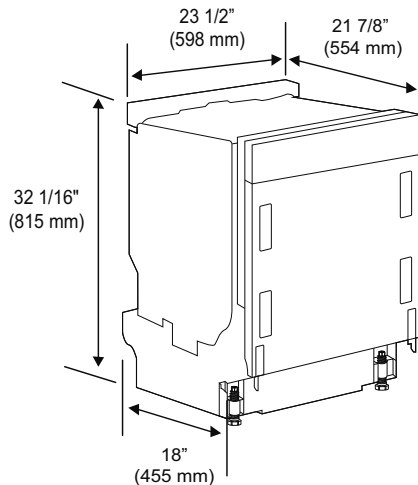
Aperçu de l'installation

Veillez d'abord lire les instructions d'installation suivantes après avoir acheté ce lave-vaisselle ou après l'avoir transporté à un autre endroit.

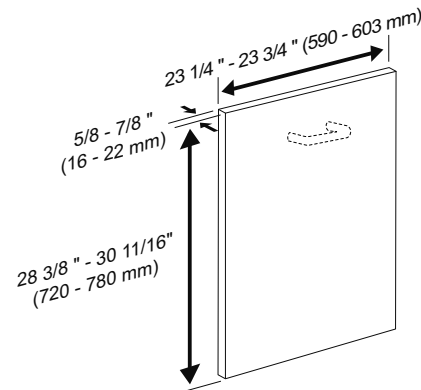
- ❶ Préparer l'ouverture de l'armoire
- ❷ Préparer le lave-vaisselle
- ❸ Préparation des raccords des conduites d'eau et du branchement électrique
- ❹ Positionnement du lave-vaisselle dans l'ouverture de l'armoire
- ❺ Raccordement de l'alimentation en eau et branchement électrique
- ❻ Raccordement du tuyau de vidange
- ❼ Mise de niveau du lave-vaisselle
- ❽ Fixation du panneau d'armoire au lave-vaisselle
- ❾ Fixation du lave-vaisselle dans l'ouverture de l'armoire
- ❿ Dernière vérification de l'installation

Dimensions du produit

Produit



Panneau de l'armoire

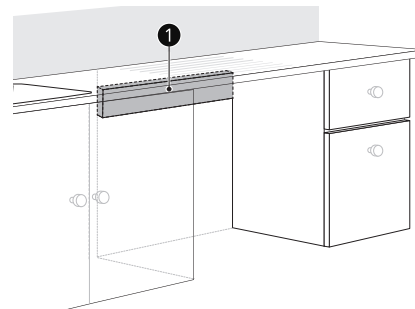


5.5 lb (2.5 kg) ≤  ≤ 24.2 lb (11 kg)

Préparer l'ouverture de l'armoire

Ce lave-vaisselle est conçu pour s'adapter à une ouverture pour lave-vaisselle standard. Une ouverture peut être nécessaire sur les deux côtés pour installer la tuyauterie et les raccords électriques.

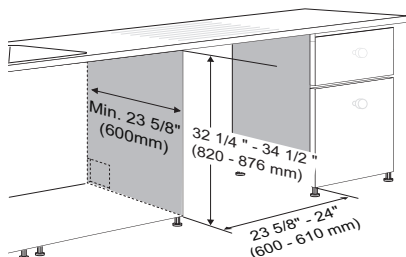
- Pour assurer une vidange efficace, le lave-vaisselle ne doit pas être installé à plus de 12 pieds (3,65 m) de l'évier.
- L'espace doit être suffisant pour que la porte du lave-vaisselle s'ouvre facilement, et il doit y avoir au moins 0,1 po (2 mm) entre le lave-vaisselle et les parois de l'armoire.
- Si le lave-vaisselle doit être installé dans un coin, il est nécessaire de prévoir au moins 2 po (50 mm) entre le lave-vaisselle et le mur contigu.
- Le mur contigu doit être libre de toute obstruction.
- Pour les installations encastrées uniquement, vous pouvez retirer l'entretoise ❶ à l'intérieur de l'armoire.



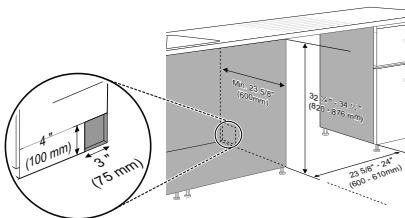
12 INSTALLATION

Choix de l'emplacement adéquat

- 1 Choisissez l'emplacement le plus près possible de l'évier pour faciliter les raccordements aux conduites d'alimentation en eau et de vidange ainsi qu'à la prise électrique.

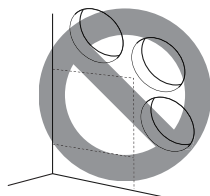


- 2 Afin de laisser un jeu suffisant pour la tuyauterie et les conduites électriques, utilisez le gabarit fourni dans les documents pour déterminer l'espace nécessaire sur le côté où l'armoire forme un angle avec le mur arrière. À l'aide d'une scie-cloche de 2 1/2 po de diamètre, percez un trou dans la zone cible comme indiqué dans le gabarit.



⚠ AVERTISSEMENT

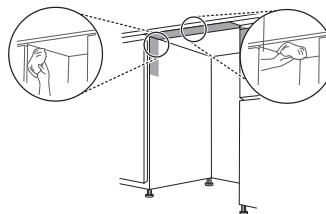
- Les dommages occasionnés pendant l'installation ne sont pas couverts par la garantie, et les fuites résultant d'une installation inadéquate peuvent entraîner des dommages matériels.
- N'utilisez pas les orifices existants à moins qu'ils se trouvent dans la zone cible.
- Si le trou pour les conduites d'eau et de vidange n'est pas correctement situé, le lave-vaisselle pourrait ne pas être bien aligné avec les armoires, ce qui risque de plier, de pincer, d'écraser, de contraindre ou d'endommager les conduites.



Installation du ruban de protection contre l'humidité

Installez le ruban de protection contre l'humidité sur la face inférieure du comptoir pour protéger la surface de la condensation lorsque l'appareil est ouvert.

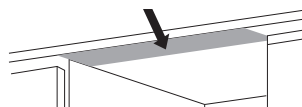
- 1 Nettoyez et séchez la zone située sous le comptoir ainsi que les parois latérales de l'ouverture où le ruban sera appliqué.



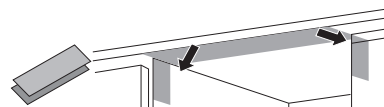
- 2 Retirez la pellicule protectrice du ruban.



- 3 Installez le ruban sur la face inférieure du comptoir.



- 4 Fixez les morceaux de ruban plus courts dans le haut des parois latérales de l'ouverture de l'armoire.



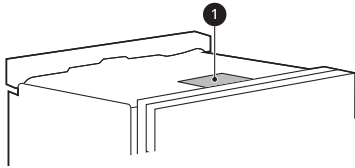
REMARQUE

- Un ruban de protection contre l'humidité se trouve dans le sac d'assemblage manuel.
- Si le comptoir est fait de granite ou de matériaux imperméables, le ruban de protection contre l'humidité n'est pas requis.
- Lorsque la température ambiante est basse, de la condensation peut se former sur la face inférieure ou le long du bord avant du comptoir.

Préparer le lave-vaisselle

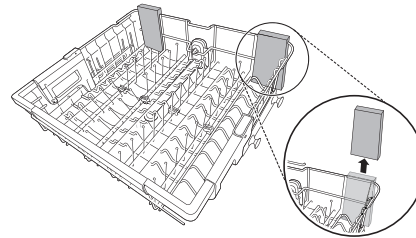
⚠ AVERTISSEMENT

- Ne retirez pas le couvercle de sécurité ❶. Le non-respect de cette consigne peut entraîner un incendie, une décharge électrique ou la mort.



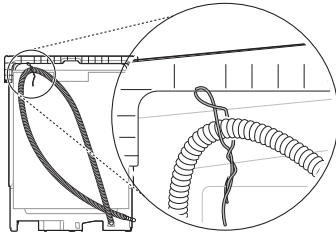
Retrait des matériaux d'emballage qui se trouvent à l'intérieur

Retirez tout le matériel d'emballage à l'intérieur du lave-vaisselle avant de l'installer.



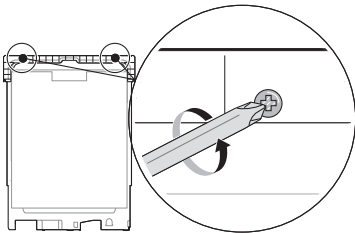
Libération du tuyau de vidange

Enlevez l'attache torsadée qui maintient le tuyau de vidange à l'arrière de l'armature d'expédition.



Armature d'expédition amovible

L'armature d'expédition située à l'arrière peut être retirée si un espace de dégagement supplémentaire est nécessaire lors de l'installation du lave-vaisselle sous un comptoir bas.



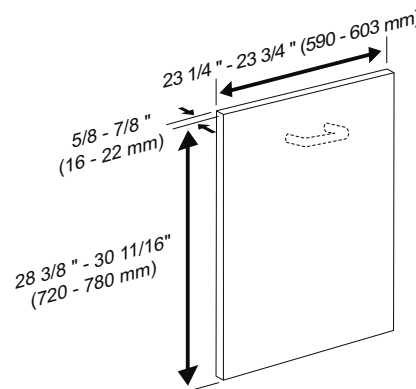
⚠ MISE EN GARDE

- Faites attention lors de l'ouverture et de la fermeture de la porte de l'appareil avant d'installer le panneau personnalisé. Sans le poids du panneau, elle pourrait s'ouvrir ou se fermer brusquement.

Vérification du panneau de l'armoire

Ce lave-vaisselle est conçu pour fonctionner avec un panneau d'armoire avant (non fourni) qui coulisse vers le haut lorsque la porte est ouverte. Avant d'installer le lave-vaisselle, vérifiez le poids et les dimensions du panneau d'armoire avant que vous avez choisi.

- Le lave-vaisselle peut supporter des panneaux d'un poids de 2,5 à 11 kg (5,5 à 24,2 lb).
- Si le panneau d'armoire pèse entre 8 kg et 11 kg (17,6 lb et 24,2 lb), réglez la tension du ressort de la porte pour faciliter l'ouverture de celle-ci. Consultez la section **Ajustement de la tension du ressort de porte**.



5.5 lb (2.5 kg) ≤  ≤ 24.2 lb (11 kg)

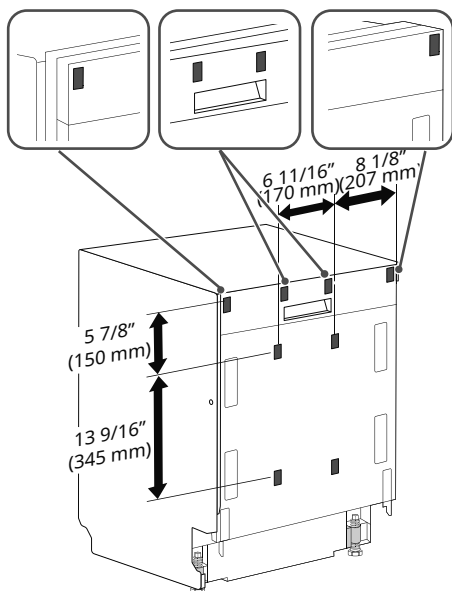
14 INSTALLATION

- Pour obtenir des résultats optimaux, la largeur du panneau de bois doit être de 6 mm (1/4 po) inférieure à la largeur de l'armoire.

Installation du ruban adhésif molletonné

Le fait d'installer un ruban adhésif molletonné entre la porte du lave-vaisselle et le panneau de l'armoire réduira la friction lors du déplacement de haut en bas de la porte.

- 1 Installez le ruban adhésif molletonné près des ouvertures des supports afin de vous assurer que la porte glisse tout en douceur.
- 2 Retirez les bandes de ruban adhésif molletonné du support et fixez-les à la porte.



Fixation des supports d'installation

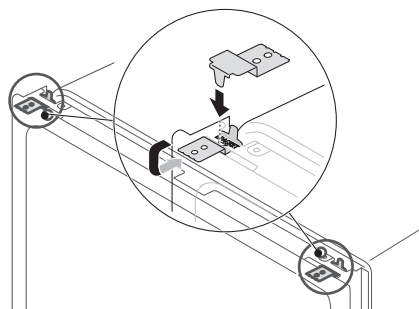
Pour les comptoirs de bois ou composés d'autres matériaux qui ne risquent pas d'être endommagés par le perçage, utilisez les supports d'installation en métal fournis.

Pour les comptoirs de granite, de marbre ou composés d'autres matériaux qui risquent d'être endommagés par le perçage, utilisez les vis à bois pour fixer le lave-vaisselle à l'armoire. Voir les directives d'installation dans la section **Fixation sécuritaire du lave-vaisselle dans l'ouverture de l'armoire**.

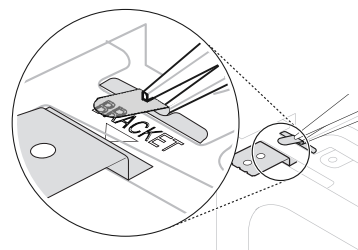
REMARQUE

- Les supports et les vis d'installation peuvent également se trouver dans le panier à ustensiles.

- 1 Insérez dans les fentes du cadre supérieur l'extrémité des supports d'installation qui comporte une languette. Tournez les supports jusqu'à ce que les extrémités à languette soient tournées vers le haut.



- 2 Pliez les languettes pour les fixer au cadre à l'aide d'une pince à bec effilé.



Préparation des raccords des conduites d'eau et du branchement électrique

⚠ AVERTISSEMENT

- Raccordement de l'alimentation en eau
 - Ne réutilisez pas de vieux tuyaux. Utilisez uniquement des tuyaux neufs lorsque vous installez le lave-vaisselle. Les tuyaux usagés pourraient fuir ou éclater, causant des inondations et des dommages matériels. Communiquez avec le centre d'information à la clientèle de LG pour obtenir de l'aide pour l'achat de tuyaux.
- Branchement électrique
 - Utilisez un fusible temporisé ou un disjoncteur.
 - Utilisez cet appareil en respectant la tension électrique appropriée, comme il est indiqué dans ce manuel et sur la plaque signalétique.

- Le câblage doit être correctement mis à la terre. En cas de doute, faites-le vérifier par un électricien qualifié.
- L'appareil et la prise doivent être positionnés de sorte que la fiche est facilement accessible.
- N'utilisez pas de rallonge électrique ni d'adaptateur avec ce lave-vaisselle.
- Ne surchargez pas la prise de courant avec plus d'un appareil.
- Le propriétaire de l'appareil est responsable et tenu de faire installer une prise de courant adéquate par un électricien qualifié.

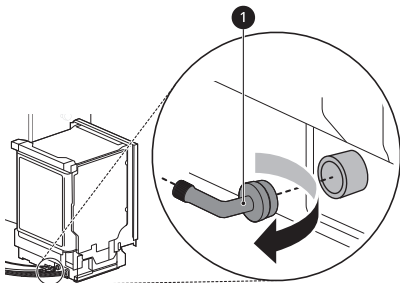
⚠ MISE EN GARDE

- Lors du raccordement des conduites d'eau du lave-vaisselle à la conduite d'eau du domicile, un ruban ou un composé couvre-joint doit être utilisé sur les filetages de tuyaux pour éviter les fuites. Ce ruban ou composé ne doit pas être utilisé sur les raccords à compression.
- Raccordez le lave-vaisselle à une source d'eau chaude dont la température se situe entre 120 °F (49 °C) et 149 °F (65 °C). Cette plage de température offre de meilleurs résultats de lavage et les durées de cycle les plus courtes. Pour éviter d'endommager les plats, la température ne doit pas dépasser 149 °F (65 °C).
- La pression des conduites d'eau doit se situer entre 20 et 80 psi (140 et 550 kPa). Si la pression des conduites d'eau est supérieure à 80 psi, un robinet réducteur de pression doit être installé, à défaut de quoi il peut s'ensuivre une défaillance prématurée de la vanne d'entrée.

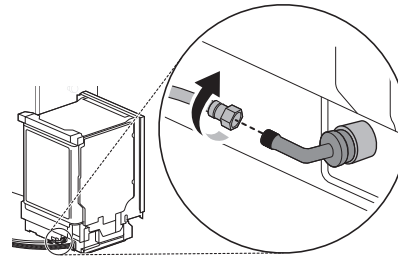
Raccordement de l'alimentation en eau et branchement électrique

Tuyau d'alimentation en eau: tuyau en cuivre d'un diamètre extérieur d'au moins 3/8 po ou tuyau métallique tressé pour l'alimentation du lave-vaisselle.

- 1 Raccordez le coude ❶ à la vanne d'entrée d'eau située à l'arrière du lave-vaisselle.

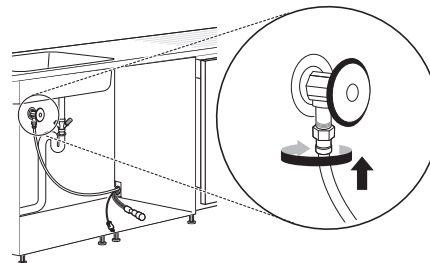


- 2 Raccordez le tuyau d'alimentation en eau au coude.



- 3 À l'aide de deux clés à molette, serrez les deux raccords afin d'éviter de soumettre la vanne d'entrée d'eau à des contraintes.

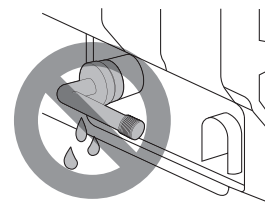
- 4 Assurez-vous de couper l'alimentation en eau. Raccordez le tuyau d'alimentation en eau au robinet.



- 5 Insérez le cordon d'alimentation dans une prise électrique.

- 6 Ouvrez l'eau et vérifiez s'il y a des fuites d'eau aux raccords.

- S'il y a une fuite, rebranchez le coude.
- Ne croisez pas les filetages et ne serrez pas trop les raccords pour éviter les fuites.



- 7 Débranchez le cordon d'alimentation.

- 8 Coupez l'alimentation en eau et débranchez le tuyau d'alimentation en eau au niveau du robinet.

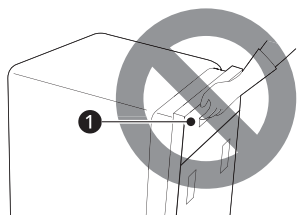
16 INSTALLATION

Positionnement du lave-vaisselle dans l'ouverture de l'armoire

Comment faire glisser le lave-vaisselle

⚠ MISE EN GARDE

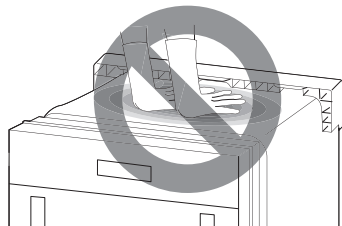
- Ne tirez pas ou ne soulevez pas le lave-vaisselle par la porte ❶; cela risque d'endommager la porte et ses charnières.



- Ne poussez pas sur la porte du lave-vaisselle avec les genoux lorsque vous le faites glisser en position; cela risque d'endommager le couvercle avant.

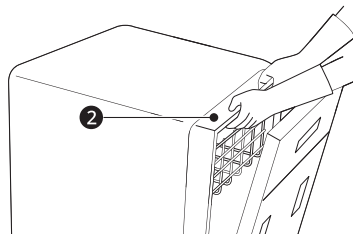


- Ne poussez pas le haut du lave-vaisselle; cela risque d'endommager l'intérieur de l'appareil.

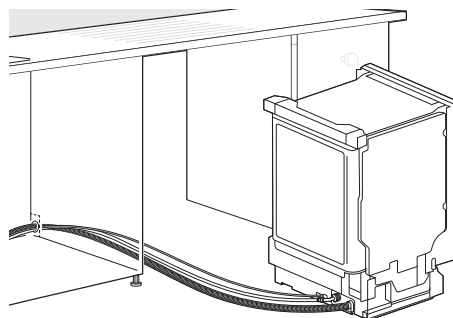


REMARQUE

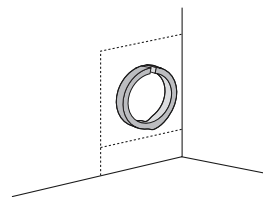
- Ouvrez la porte et saisissez le bâti de l'appareil et l'ouverture avant supérieure ❷ de la cuve pour déplacer ou soulever le lave-vaisselle.



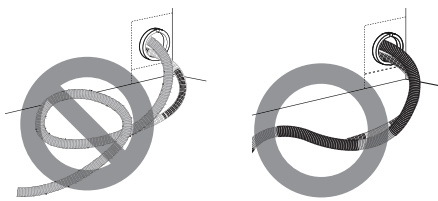
- 1 Alignez le lave-vaisselle avec l'ouverture. Assurez-vous que la conduite d'alimentation en eau et le cordon d'alimentation se déploient sans plis ni torsions.



- 2 Lissez ou rembourrez les bords du trou percé pour l'alimentation en eau afin de ne pas endommager le tuyau de vidange.

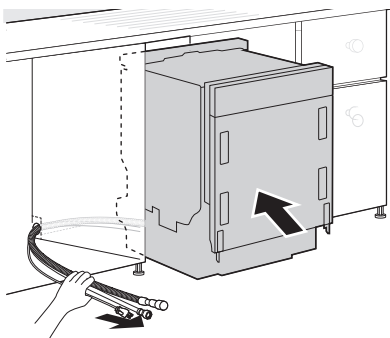


- 3 Assurez-vous que le tuyau de vidange est droit avant d'en faire passer l'extrémité dans le trou percé pour l'alimentation en eau. Pendant que vous faites glisser le lave-vaisselle dans l'ouverture, tirez lentement sur le tuyau de vidange à partir de l'intérieur de l'armoire pour enlever le jeu. Veillez à ne pas plier, pincer, écraser ou contraindre le tuyau de vidange pendant l'installation pour éviter les fuites et les dégâts d'eau.



- 4** Faites glisser progressivement le lave-vaisselle dans l'ouverture en vous assurant que la conduite d'eau et le cordon d'alimentation passent librement dans l'ouverture et ne restent pas pris sous le lave-vaisselle.

- Arrêtez de déplacer le lave-vaisselle à quelques reprises (ou demandez de l'aide) pour enlever le jeu en tirant le tuyau de vidange plus loin dans l'armoire.



⚠ MISE EN GARDE

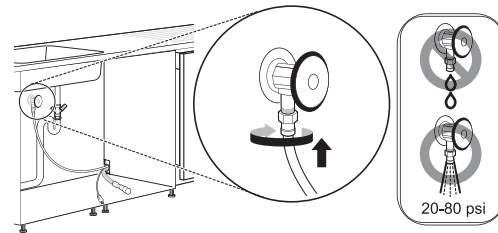
- Pour éviter les dysfonctionnements ou les fuites, il est important que le tuyau de vidange ne soit pas plié, pincé, contraint ou écrasé derrière ou sous le lave-vaisselle, ou à l'intérieur de l'armoire adjacente.
- Les dommages attribuables à une mauvaise installation ne sont pas couverts par la garantie.

Raccordement de l'alimentation en eau et branchement électrique

Raccordement de l'alimentation en eau

- 1** Assurez-vous de couper l'alimentation en eau, puis raccordez le tuyau d'alimentation en eau au robinet.

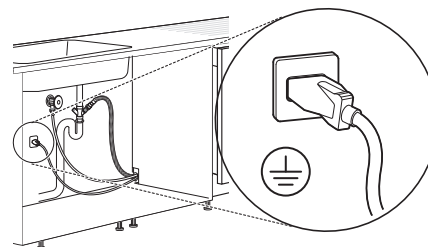
- 2** À l'aide d'une clé à tête carrée, serrez le raccord afin d'éviter de soumettre le robinet à des contraintes.



Raccordement de l'alimentation électrique

Insérez le cordon d'alimentation dans une prise électrique mise à la terre.

- Le cordon d'alimentation ne doit pas être placé derrière l'appareil. Il doit plutôt se trouver à moins de 47,2 pouces du côté afin que la prise soit facilement accessible.



⚠ AVERTISSEMENT

- N'utilisez pas de rallonge ou d'adaptateur à deux broches.



- La fiche doit être branchée sur une prise appropriée, elle-même correctement installée et raccordée à la terre, conformément à toutes les normes et réglementations locales.
- Branchez l'appareil dans un circuit électrique à protection, à valeurs nominales et de taille adéquates pour éviter une surcharge électrique.

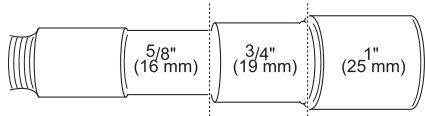
Raccordement du tuyau de vidange

Si l'extrémité du tuyau de vidange n'est pas adaptée à la conduite de vidange, utilisez un adaptateur résistant à la chaleur et au détergent

18 INSTALLATION

(non fourni). Vous pouvez les obtenir d'un magasin de fourniture de plomberie de votre localité.

- Coupez l'adaptateur de façon à ce que l'extrémité corresponde à la taille du raccord de vidange.

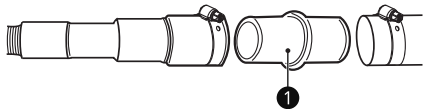


REMARQUE

- Pour l'installation du tuyau de vidange, utilisez le collier de serrage fourni avec le lave-vaisselle qui se trouve dans le panier à ustensiles.
- Si vous raccordez le tuyau de vidange du lave-vaisselle à un broyeur à déchets, assurez-vous de respecter les instructions d'installation fournies dans le manuel du broyeur.

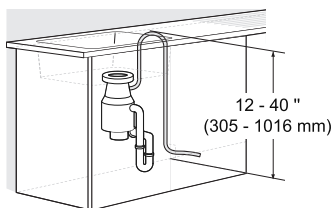
Exigences pour le tuyau de vidange

- Suivez les règlements des codes locaux et la réglementation en vigueur.
- Ne raccordez pas le tuyau à plus de 12 pieds (3,65 m) de la vidange.
- Ne raccordez pas de tuyaux de vidange d'autres appareils au tuyau de vidange du lave-vaisselle.
- S'il est nécessaire d'utiliser une rallonge de tuyau de vidange, utilisez un tuyau d'un diamètre intérieur de 5/8 po ou 7/8 po, d'une longueur de 2 à 3 pieds, ainsi qu'un coupleur ❶ pour raccorder les deux extrémités du tuyau.



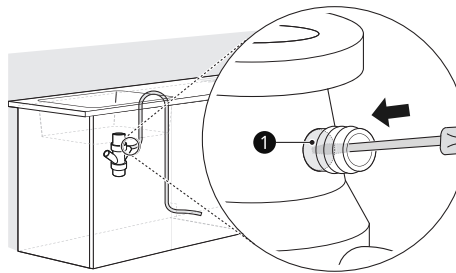
Hauteur du tuyau de vidange

L'extrémité du tuyau de vidange doit être à une hauteur d'au moins 12 po (305 mm) et à moins de 40 po (1 016 mm) de la base du lave-vaisselle pour éviter que l'eau de la cuve ne soit siphonnée.



Raccordement à un broyeur sans coupure antirefoulement

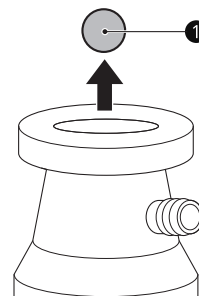
- 1 Retirez le bouchon du broyeur en l'enfonçant avec un marteau et un tournevis.



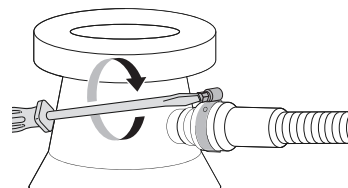
- 2 Retirez le bouchon du broyeur ❶.

⚠ MISE EN GARDE

- Si le bouchon du tuyau de vidange n'a pas été retiré, le lave-vaisselle ne pourra pas se vider correctement.



- 3 Raccordez le tuyau de vidange au broyeur à l'aide du collier de serrage fourni. Mettez ce dernier en position et serrez-le à l'aide d'un tournevis plat.



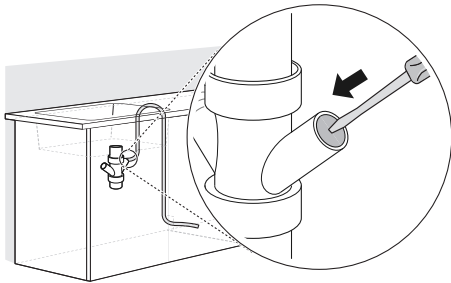
Raccordement à un té de vidange sans coupure antirefoulement

L'extrémité du tuyau de vidange doit être à une hauteur d'au moins 12 po (305 mm) et à moins de 40 po (1 016 mm) de la base du lave-vaisselle pour éviter que l'eau de la cuve ne soit siphonnée.

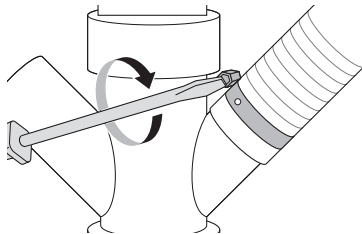
- 1 Retirez le bouchon en l'enfonçant avec un marteau et un tournevis.

⚠ MISE EN GARDE

- Si le bouchon du tuyau de vidange n'a pas été retiré, le lave-vaisselle ne pourra pas se vider correctement.

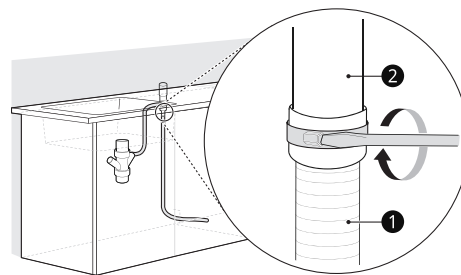


- 2 Attachez le tuyau de vidange sur le raccord en T de vidange à l'aide du collier de serrage fourni. Mettez ce dernier en position et serrez-le à l'aide d'un tournevis plat.



Raccordement à un broyeur ou à un té de vidange avec coupure antirefoulement.

- 1 Retirez le bouchon en l'enfonçant avec un marteau et un tournevis.
- 2 Raccordez l'extrémité du tuyau de vidange ① au broyeur sans coupure antirefoulement ② à l'aide du collier de serrage fourni. Mettez ce dernier en position et serrez-le à l'aide d'un tournevis plat.
 - Cela permettra d'éviter que l'eau soit siphonnée hors de la cuve.



- 3 Si cela n'est pas déjà fait, fixez le raccord de tuyau en caoutchouc au té de vidange ou au té du broyeur à déchets à l'aide d'un collier de serrage (non fourni).

Mise de niveau du lave-vaisselle

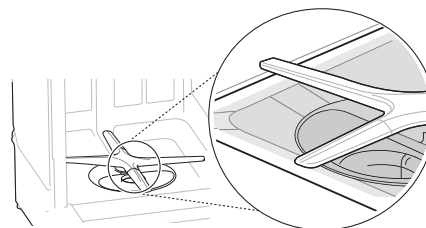
Vérifiez que le lave-vaisselle est de niveau et ajustez les pieds de nivellement si nécessaire.

⚠ MISE EN GARDE

- Un lave-vaisselle qui n'est pas de niveau peut présenter des fuites, des problèmes de fermeture de la porte ou du bruit.
- Lorsque l'ouverture de l'armoire est plus étroite que ce qui est recommandé (voir la section **Préparation de l'ouverture de l'armoire**), veillez à soigneusement niveler et aligner le lave-vaisselle de façon à ce qu'il soit entièrement soutenu par les trois pieds de mise à niveau et qu'il ne pende pas par les supports. Le non-respect de cette consigne pourrait entraîner des fuites d'eau à l'avant du lave-vaisselle, l'affichage d'erreurs RE, des problèmes de fermeture de la porte ou le non-fonctionnement de l'appareil.

Vérification du nivellement

Pour vérifier que la cuve est de niveau en profondeur, retirez le panier inférieur et versez **135 oz (4 L)** d'eau dans le fond de la cuve. Le niveau d'eau devrait être près du centre des deux entailles inférieures de la cuve, à l'avant.

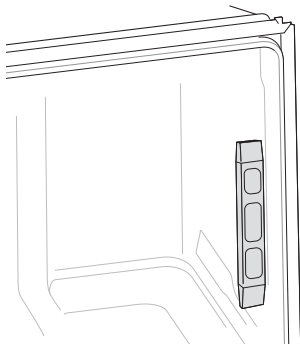


Après avoir enlevé le panier inférieur, placez un niveau sur la paroi intérieure de la cuve pour

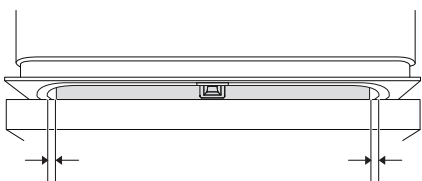
20 INSTALLATION

vérifier que le lave-vaisselle est de niveau en largeur.

- Si vous n'avez pas de niveau, essayez plutôt d'utiliser l'application de niveau de votre téléphone intelligent.



Assurez-vous que l'espace entre les parois de la cuve et le revêtement de porte est le même de chaque côté.



Réglage des pieds de nivellement

Ajustez les pieds de nivellement au besoin jusqu'à ce que le lave-vaisselle soit complètement de niveau.

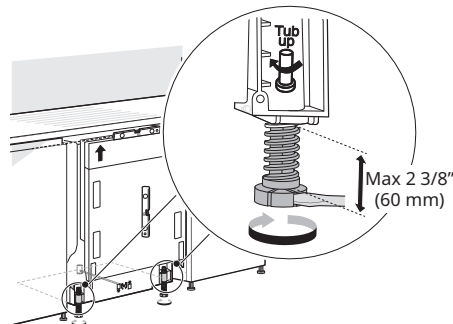
- Réglez la hauteur des pieds de nivellement avant et arrière afin qu'ils soient tous fermement en contact avec le sol. Si le lave-vaisselle n'est pas de niveau, la porte pourrait ne pas se fermer correctement, ce qui empêchera le démarrage de l'appareil.

Réglage des pieds de nivellement avant

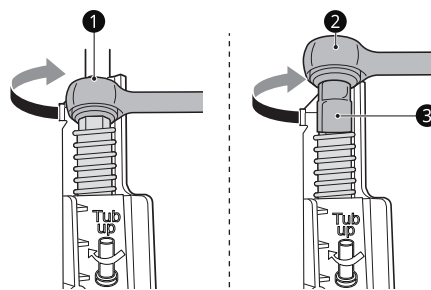
Utilisez un tournevis plat pour régler les pieds de nivellement avant et régler la hauteur de l'avant de l'appareil.

- Faites tourner les pieds de nivellement avant dans le sens des aiguilles d'une montre pour

soulever l'avant de l'appareil et dans l'autre sens pour l'abaisser.



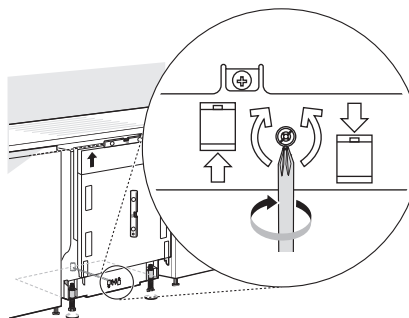
- Le réglage se fait de façon identique pour les deux pieds de nivellement avant.
- Si vous ne disposez pas d'un tournevis plat, utilisez une clé à tête carrée de ¼ po ① ou une clé à tête carrée de ⅜ po ② et une douille de ½ po ③ pour tourner les pieds de nivellement avant et régler la hauteur de l'avant de l'appareil.



Réglage des pieds de nivellement arrière

Utilisez un tournevis Philips pour régler les pieds de nivellement arrière en utilisant la vis centrale à la base de l'appareil, à l'avant.

- Faites tourner la vis centrale dans le sens des aiguilles d'une montre pour soulever l'arrière de l'appareil et dans l'autre sens pour l'abaisser.



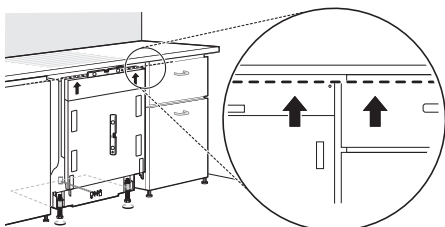
REMARQUE

- Pour éviter d'endommager la vis, ne vous servez pas d'un tournevis électrique.

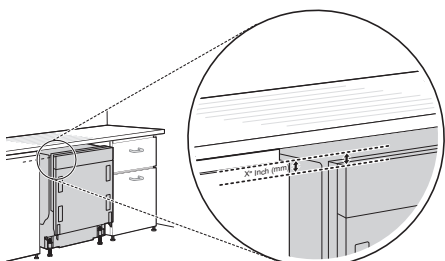
Fixation du panneau d'armoire au lave-vaisselle

Ajustement de la hauteur de l'appareil

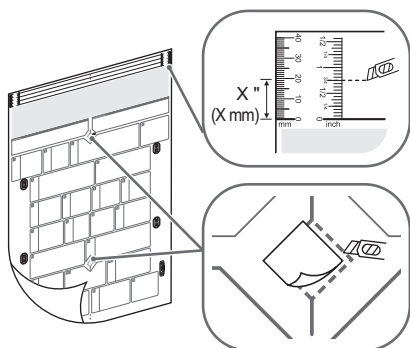
- 1 Ajustez la hauteur de l'appareil de telle sorte que le haut de la porte soit aussi proche que possible de la hauteur des portes d'armoire ou des façades de tiroir qui l'entourent.



- 2 Mesurez la différence de hauteur (x po) entre le haut de la porte du lave-vaisselle et le haut des portes d'armoire ou des tiroirs qui l'entourent.



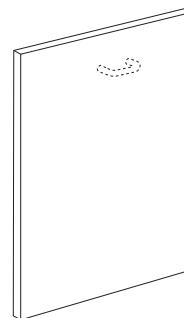
- 3 En utilisant la mesure obtenue à l'étape 2, faites une marque à x po en partant du bas des deux règles, en haut du gabarit d'installation fourni. Tracez une ligne entre les marques et coupez le haut du gabarit au niveau de la ligne. Découpez les carrés indiqués dans la partie centrale du gabarit afin que vous puissiez voir la ligne centrale.



Ajustement de la tension du ressort de porte

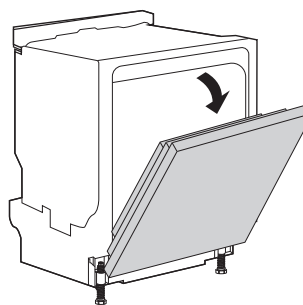
Si le panneau d'armoire pèse entre 8 kg et 11 kg (17,6 lb et 24,2 lb), réglez la tension du ressort de la porte pour faciliter l'ouverture de celle-ci.

FRANÇAIS

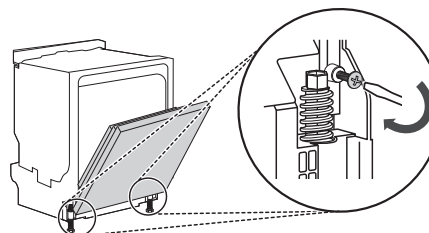


17.6 lb (8 kg) ≤  ≤ 24.2 lb (11 kg)

- 1 Ouvrez la porte du lave-vaisselle à environ 30°.
 - N'ajustez pas la tension du ressort lorsque la porte du lave-vaisselle est complètement ouverte.



- 2 Utilisez les vis de réglage de la porte fournies pour ajuster la tension du ressort de porte au bas du lave-vaisselle.



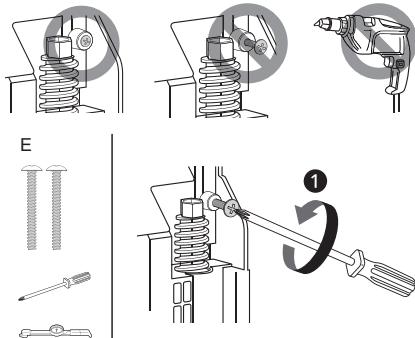
⚠ MISE EN GARDE

- Serrez complètement les vis de réglage de la porte.
- Ajustez correctement la force du ressort. Si vous n'ajustez pas la force du ressort, la porte peut s'ouvrir ou se fermer subitement.

22 INSTALLATION

⚠ MISE EN GARDE

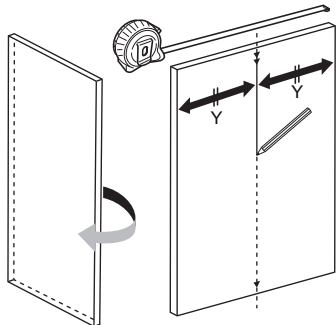
- Si vous serrez à plus de 15 kgf, cela peut entraîner une fissure dans le bloc de fixation.



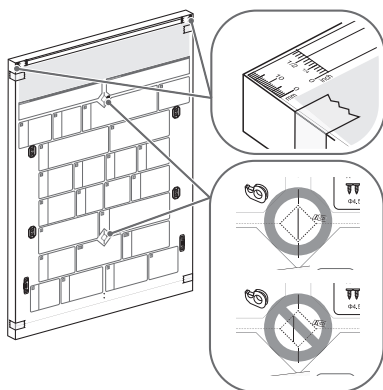
① Max. 15 kgf

Préparation du panneau de l'armoire

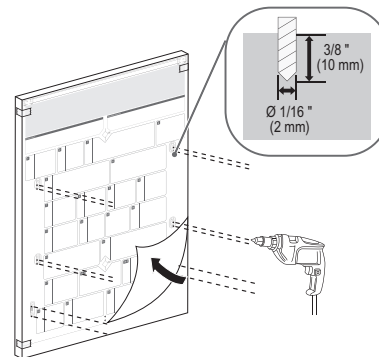
- 1 À l'arrière du panneau de l'armoire, tracez une ligne centrale dans le sens de la longueur.



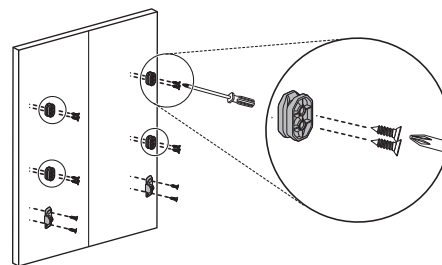
- 2 Alignez la ligne du haut et du centre du gabarit d'installation avec la ligne du haut et du centre du panneau de l'armoire. Fixez le gabarit d'installation à l'arrière du panneau de l'armoire avec du ruban adhésif.



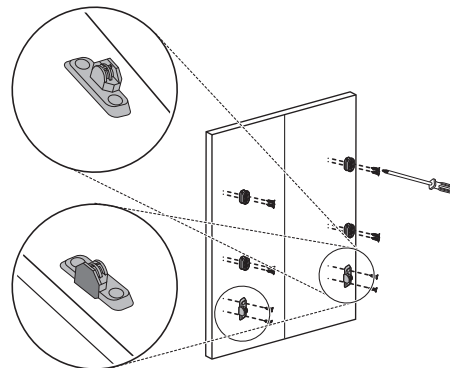
- 3 Utilisez une mèche d'un diamètre de 2 mm (1/16 po) pour percer des trous pilotes de 10 mm (3/8 po) de profondeur aux 12 points marqués sur le gabarit.



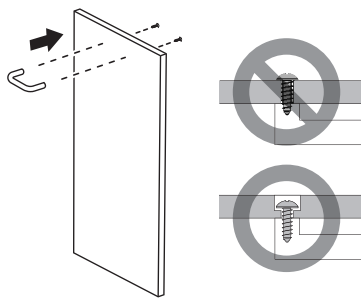
- 4 Enlevez le gabarit; fixez ensuite les supports du panneau supérieur et central (fournis) au panneau de l'armoire à l'aide des vis à bois fournies.



- 5 Fixez les supports du panneau inférieur (fournis) au panneau de l'armoire à l'aide des vis à bois fournies.

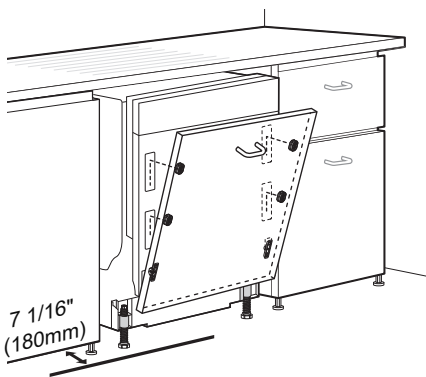


- 6 Avant de monter le panneau sur le lave-vaisselle, fixez une poignée à l'avant du panneau de l'armoire. Veillez à bien enfoncer les vis pour que le panneau glisse en douceur.

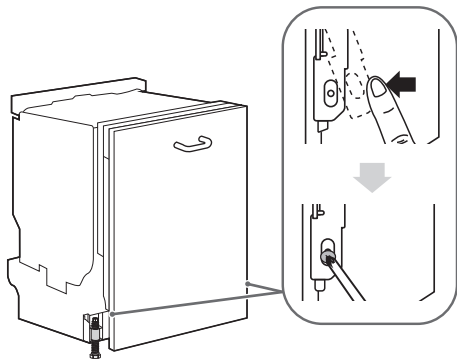


Installation du panneau de l'armoire

- 1 Installez le panneau de l'armoire sur la porte du lave-vaisselle en insérant les supports du panneau dans les ouvertures de la porte.



- 2 Attachez le panneau de l'armoire à la porte du lave-vaisselle sur les côtés en utilisant les vis de fixation fournies.



Fixation du lave-vaisselle dans l'ouverture de l'armoire

Deux options permettent de sécuriser le lave-vaisselle. Si le comptoir est fait de bois ou d'un matériau qui peut être percé sans danger, fixez le lave-vaisselle au comptoir à l'aide des supports

fournis. Si le comptoir est fait de granite, de marbre ou d'un matériau qui ne peut être percé, fixez le lave-vaisselle au cadre de l'armoire avec les vis à bois fournies.

⚠ MISE EN GARDE

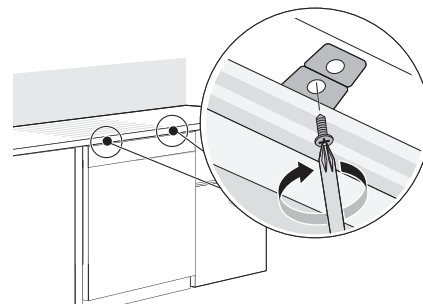
- Assurez-vous que le lave-vaisselle est de niveau et que tous les pieds de nivellement sont fermement en contact avec le sol avant de fixer le lave-vaisselle au comptoir ou à l'armoire. Si l'appareil n'est pas de niveau, la porte pourrait ne pas se fermer correctement ou des fuites d'eau pourraient se produire.

REMARQUE

- Les supports et les vis d'installation peuvent également se trouver dans le panier à ustensiles.
- Utilisez un tournevis magnétique.
- Couvrez l'orifice du filtre avec des serviettes pour éviter que les vis tombent dans la pompe.

Fixation sécuritaire du lave-vaisselle au comptoir

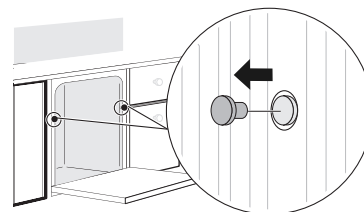
Utilisez les vis de fixation fournies pour fixer les supports du haut du lave-vaisselle à la face inférieure du comptoir en bois.



Fixation du lave-vaisselle au cadre de l'armoire

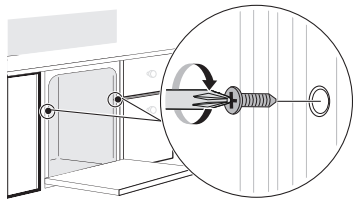
Si vous le souhaitez, vous pouvez également fixer le lave-vaisselle au cadre de l'armoire en respectant les instructions suivantes.

- 1 Retirez les 2 capuchons en plastique des trous d'accès du support de montage.



24 INSTALLATION

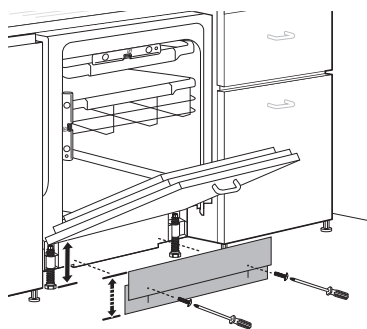
- 2 Insérez une vis à bois dans le support d'installation et dans le cadre de l'armoire.



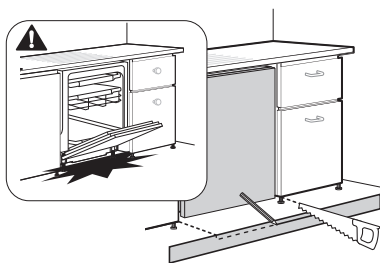
- 3 Réinstallez les capuchons en plastique.

Installation du coup-de-pied

- 1 Fixez le couvercle inférieur fourni à la base du lave-vaisselle.

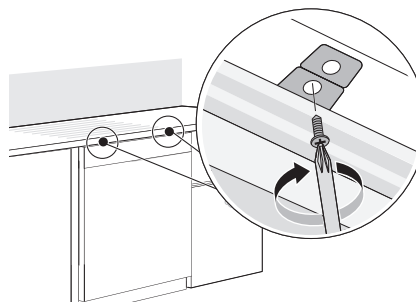


- 2 Attachez un coup-de-pied sur mesure. Si nécessaire, utilisez une scie pour découper une encoche dans le haut du coup-de-pied sur mesure afin qu'il y ait un espace libre pour le panneau de l'armoire lors de l'ouverture de la porte.



Fixation sécuritaire du lave-vaisselle au comptoir

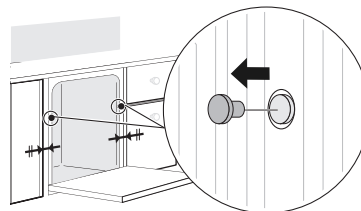
Utilisez les vis de fixation fournies pour fixer les supports du haut du lave-vaisselle à la face inférieure du comptoir en bois.



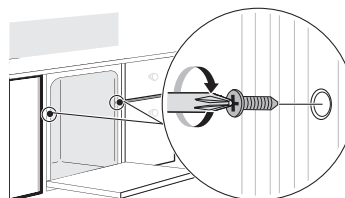
Fixation du lave-vaisselle au cadre de l'armoire

Si vous le souhaitez, vous pouvez également fixer le lave-vaisselle au cadre de l'armoire en respectant les instructions suivantes.

- 1 Retirez les 2 capuchons en plastique des trous d'accès du support de montage.



- 2 Insérez une vis à bois dans le support d'installation et dans le cadre de l'armoire.



- 3 Réinstallez les capuchons en plastique.

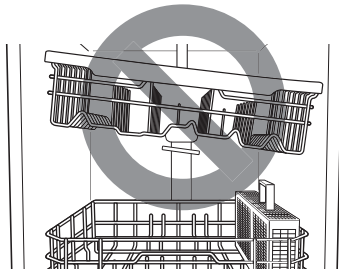
Dernière vérification de l'installation

Mise à l'essai du lave-vaisselle

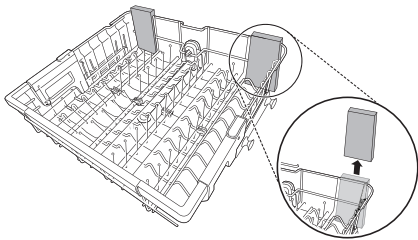
Vérifiez que le lave-vaisselle est bien installé.

- 1 Mettez le disjoncteur sous tension.

- 2 Ouvrez l'alimentation en eau du domicile.
- 3 Assurez-vous que la porte s'ouvre et se ferme en douceur.
 - Si nécessaire, mettez de nouveau le lave-vaisselle de niveau.
 - Si la porte ne se ferme pas, assurez-vous que le panier est de niveau.



- Assurez-vous que tous les matériaux d'emballage ont été retirés.



- 4 Mettez le lave-vaisselle en marche et démarrez un cycle **Turbo** pour vérifier le bon fonctionnement.
- 5 Vérifiez l'étanchéité du tuyau de vidange et du raccord d'alimentation en eau.
- 6 En cas de fuite d'eau, appuyez sur le bouton **Start (Démarrage)** et maintenez-le enfoncé pendant 3 secondes pour annuler le cycle de lavage et vider automatiquement l'eau du lave-vaisselle. Resserrez tous les raccords d'eau et effectuez un autre cycle. Répétez l'opération jusqu'à ce qu'aucune fuite ne soit détectée.
- 7 Retirez la pellicule protectrice qui se trouve sur la porte, s'il y a lieu. Si vous la laissez en place, elle pourrait décolorer la porte ou causer de la condensation.

Codes d'erreur lors de la vérification de l'installation

Consultez le tableau ci-dessous avant d'effectuer un appel de service.

Code d'erreur	Cause possible et solution
OE	<p>Le tuyau de vidange est plié ou pincé.</p> <ul style="list-style-type: none"> • Faites passer les tuyaux de vidange et d'entrée d'eau par le trou sous l'évier. Glissez ensuite le lave-vaisselle doucement dans l'armoire, tout en tirant sur les tuyaux sous l'évier pour éviter d'avoir du jeu. Cela empêche les tuyaux de se plier ou de se retrouver coincés sous le lave-vaisselle. <p>Le tuyau de vidange a été raccordé au broyeur à déchets sans que le bouchon ait été enlevé.</p> <ul style="list-style-type: none"> • Retirez le bouchon du broyeur. <p>Le té de vidange ou le broyeur est obstrué.</p> <ul style="list-style-type: none"> • Enlevez le bouchon sur le té de vidange ou sur le broyeur à déchets.
IE	<p>Le tuyau d'alimentation en eau est plié sous le lave-vaisselle.</p> <ul style="list-style-type: none"> • Faites passer les tuyaux de vidange et d'entrée d'eau par le trou sous l'évier. Glissez ensuite le lave-vaisselle doucement dans l'armoire, tout en tirant sur les tuyaux sous l'évier pour éviter d'avoir du jeu. Cela empêche les tuyaux de se plier ou de se retrouver coincés sous le lave-vaisselle. <p>Le robinet d'alimentation en eau du domicile est fermé.</p> <ul style="list-style-type: none"> • Ouvrez le robinet.

26 FONCTIONNEMENT

FONCTIONNEMENT

Avant l'utilisation

AVERTISSEMENT

- Pour réduire le risque d'incendie, de décharge électrique ou de blessures, lisez les **DIRECTIVES DE SÉCURITÉ** avant d'utiliser cet appareil.

REMARQUE

- Raccordez le lave-vaisselle à la source d'eau chaude seulement. La température de la source d'eau doit être d'au minimum 120 °F (49 °C) pour un lavage optimal et un temps de cycle plus court.
- Suivez les consignes relatives au chargement du lave-vaisselle afin d'assurer un nettoyage efficace.
- Retirez les éléments insolubles tels que les os, les cure-dents et les morceaux de papier pendant le chargement du lave-vaisselle.

Vérification du niveau de dureté de l'eau

Méthode 1

- 1 Communiquez avec votre service municipal d'aqueduc pour vérifier la dureté de l'eau dans votre région.
- 2 Réglez le niveau d'adoucissement de l'eau sur l'appareil en fonction de ces données.


Méthode 2

Testez la dureté de votre eau à l'aide des bandelettes fournies avec l'appareil.

- 1 Remplissez un verre d'eau du robinet, puis immergez la zone de test de la bandelette pendant environ une seconde. Ne tenez pas la bandelette de test sous l'eau courante.
- 2 Secouez la bandelette pour faire tomber l'excès de liquide, puis attendez une minute.
- 3 Comparez la couleur de la bandelette avec le tableau figurant sur l'emballage afin de déterminer la dureté de l'eau.
- 4 Réglez le niveau d'adoucissement de l'eau sur l'appareil.

Tableau de dureté de l'eau

Dureté de l'eau							Niveau d'adoucissement
ppm	°d	°e	°f	mmol/l (Ca+Mg)	mg/l (Ca)	Plage	
0	<4	<5	<7	<0,7	<29	Doux	H0

Dureté de l'eau							Niveau d'adoucissement
ppm	°d	°e	°f	mmol/l (Ca+Mg)	mg/l (Ca)	Plage	
75	4 - 7	5 - 9	7 - 13	0,7 - 1,3	29 - 50		H1
125	7 - 14	9 - 17,5	13 - 25	1,3 - 2,5	50 - 100		H2
250	14 - 21	17,5 - 26	25 - 38	2,5 - 3,8	100 - 150		H3
375	>21	>26	>38	>3,8	>150	Dur	H4

Ajustement du système d'adoucissement de l'eau

Pour améliorer les performances de lavage, ajustez le niveau d'adoucissement de l'eau en fonction de la dureté de votre eau. Cinq réglages d'adoucissement d'eau sont possibles. Le réglage par défaut est H2. Suivez ces étapes pour vérifier le réglage et l'ajuster si nécessaire.

- 1 Appuyez sur les boutons **Power (Mise sous tension)** et **Half Load (Demi-charge)** simultanément.
 - La valeur actuelle du réglage s'affiche.
- 2 Appuyez plusieurs fois sur le bouton **Remote Start (Démarrage à distance)** pour ajuster le niveau d'adoucissement souhaité de **H0 à H4**.
- 3 Appuyez sur le bouton **Start (Démarrage)** pour sauvegarder le réglage.
 - L'alimentation se coupe après la sauvegarde.

REMARQUE

- Le voyant à DEL **Remplissage du récipient de sel** s'allume s'il est nécessaire de rajouter du sel dans le lave-vaisselle.
- Si vous réglez le niveau d'adoucissement à **H0**, le voyant à DEL **Remplissage du récipient de sel** ne s'allumera pas, même si le récipient de sel du lave-vaisselle est vide.

Remplissage du récipient de sel du lave-vaisselle

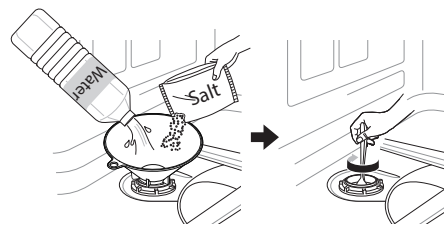
Remplissez le récipient de sel du lave-vaisselle avant de commencer un cycle de lavage. Si vous devez rajouter du sel, le voyant à DEL

Remplissage du récipient de sel s'allumera, sauf si le niveau d'adoucissement est réglé à H0.

⚠ MISE EN GARDE

- Après avoir rempli le récipient de sel du lave-vaisselle, exécutez immédiatement le cycle de rinçage afin d'éliminer tout résidu de sel de la cuve intérieure et prévenir la corrosion.

- 1 Enlevez le panier inférieur et enlevez le capuchon du récipient de sel situé sur le côté gauche des filtres.
- 2 Si vous avez l'intention d'utiliser le système d'adoucissement de l'eau, vous devez le mettre en marche avant d'utiliser l'appareil pour la première fois. Pour ce faire, mélangez 1 kg (2,2 lb) de sel pour lave-vaisselle à 1 litre (34 oz) d'eau. Utilisez l'entonnoir fourni pour verser le mélange dans le récipient de sel du lave-vaisselle. Pour obtenir plus de détails sur le réglage du niveau d'adoucissement, consultez la section **Avant l'utilisation**.



- 3 Fermez bien le couvercle du récipient de sel du lave-vaisselle.
- 4 Exécutez le cycle de **Rinse (Rinçage)** sans vaisselle.

28 FONCTIONNEMENT

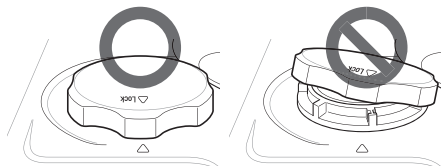
Fréquence de remplissage du récipient de sel

	H1	H2	H3	H4
Cycles	200	60	30	10

- La fréquence qui se trouve dans le tableau se base sur l'utilisation du cycle **Auto**.
- Différents cycles peuvent nécessiter différentes quantités de sel.

⚠ MISE EN GARDE

- Pour éviter tout mauvais fonctionnement du produit, ne versez pas de détergent dans le récipient de sel du lave-vaisselle.
- Essuyez tout résidu de sel autour du couvercle du récipient de sel.
- Fermez le couvercle en l'alignant horizontalement et en le tournant dans le sens horaire. Si le couvercle n'est pas bien fermé, la solution saline peut s'écouler dans la cuve et provoquer de la corrosion.
- Chaque fois que vous remplissez le récipient de sel du lave-vaisselle, effectuez immédiatement un cycle de rinçage sans vaisselle pour éliminer tout résidu de sel qui pourrait provoquer de la rouille ou endommager l'appareil.



REMARQUE

- Vous pouvez acheter le sel pour lave-vaisselle en ligne ou chez les détaillants d'électroménager.

Démarrage rapide

- 1) Chargez les plats.
- 2) Ajoutez le détergent.
- 3) Allumez le lave-vaisselle.
- 4) Vérifiez le produit de rinçage
- 5) Sélectionnez le cycle et les options
- 6) Faites fonctionner le lave-vaisselle.
 - **Méthode 1**
 - Appuyez sur le bouton **Start (Démarrage)**, puis fermez la porte dans un délai de quatre secondes pour faire

fonctionner le lave-vaisselle. Si la porte n'est pas fermée dans ce délai, une tonalité se fait entendre et le cycle ne démarre pas.

• **Méthode 2**

- Refermez d'abord la porte et appuyez ensuite sur le bouton **Start (Démarrage)** pour faire fonctionner le lave-vaisselle.

REMARQUE

- Si la porte est ouverte durant le cycle, le lave-vaisselle s'arrêtera. Pour reprendre le cycle, voir les méthodes 1 et 2 ci-dessus.
- Si la porte est ouverte durant le cycle et n'est pas refermée dans un délai de quatre secondes après la sélection du bouton **Start (Démarrage)**, ou si vous refermez la porte sans appuyer sur le bouton **Start (Démarrage)**, le voyant à DEL blanche indiquant le temps se met à clignoter, une tonalité se fait entendre et le cycle ne démarre pas.

7) Fin du cycle.

- Lorsque le cycle est terminé, une alarme retentit et l'écran affiche **E_{nd}** jusqu'à ce que l'on ouvre la porte ou l'on appuie sur la touche **Power (Mise sous tension)**. Pour économiser de l'énergie, maintenez les touches **Delay Start (Démarrage programmé)** et **Remote Start (Démarrage à distance)** enfoncées simultanément pendant trois secondes pour régler l'affichage **E_{nd}** afin qu'il s'éteigne automatiquement après quelques minutes suivant la fin du cycle.
- Il est normal que le lave-vaisselle émette un signal sonore en continu si vous ouvrez la porte pendant son fonctionnement ou juste après la fin du cycle. Le lave-vaisselle vous avertit que la température à l'intérieur de l'appareil est très chaude et de faire attention lorsque vous accédez à l'intérieur. Lorsque l'appareil aura refroidi, le signal sonore s'arrêtera.

Pour obtenir de plus amples détails, consultez le manuel du propriétaire en ligne.

⚠ MISE EN GARDE

- N'ouvrez pas la porte pendant le fonctionnement ou immédiatement après la fin du cycle de lavage, car la vapeur qui s'échappe pourrait causer des brûlures au moment de l'ouverture de la porte.

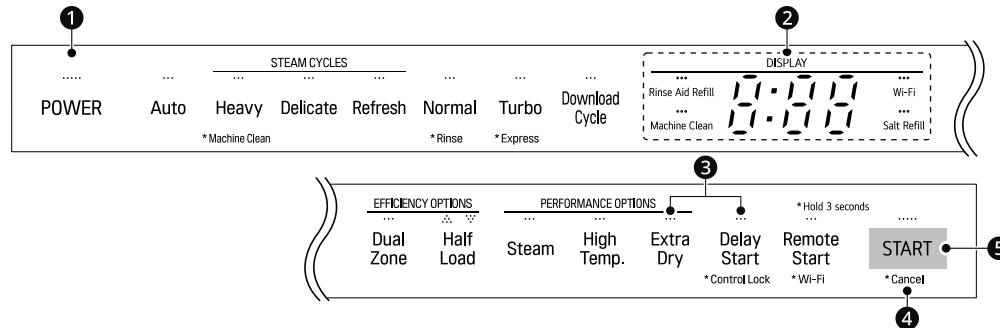
Auto-Off

Le lave-vaisselle s'éteint automatiquement après quatre minutes d'inactivité s'il est mis en pause ou si aucun cycle ne démarre.

30 FONCTIONNEMENT

Panneau de commande

Caractéristiques du panneau de commande



1 Bouton Power (Mise sous tension)

- Appuyez sur ce bouton pour allumer ou éteindre la laveuse.
- Une fois que le cycle est terminé, le lave-vaisselle se met automatiquement hors tension aux fins de sécurité et d'économie.
- En cas de surtension, de panne de courant ou d'interruption de toute sorte, l'alimentation est automatiquement coupée pour des raisons de sécurité.
- Lorsque l'alimentation est raccordée de nouveau, le lave-vaisselle se rallume automatiquement et le cycle reprend.

2 Affichage

- **Remplissage du distributeur d'agent de rinçage**
 - Ce voyant à DEL s'allume lorsque le niveau d'agent de rinçage est bas. Le voyant à DEL s'éteint automatiquement si le distributeur d'agent de rinçage est rempli ou si le niveau est réglé à 0.
 - Référez-vous à la section **Réglage du distributeur d'agent de rinçage**.
- **Machine Clean (Nettoyage de l'appareil)**
 - Le voyant à DEL **Machine Clean (Nettoyage de l'appareil)** clignote tous les 30 cycles. Pour activer ou désactiver le voyant à DEL, appuyez sur le bouton **Delicate (Délicat)** pendant trois secondes.
 - Si l'option **Steam (Vapeur)** est ajoutée à un cycle, le voyant à DEL **Machine Clean (Nettoyage de l'appareil)** demeure allumé à la fin du cycle.
- **8:88 : Affichage numérique**
 - L'affichage numérique sur le panneau de contrôle indique le temps de cycle ESTIMÉ. Lorsque le cycle et les options sont sélectionnés, l'écran indique le temps total estimé pour effectuer ces programmes. En cours de fonctionnement, l'écran indique le temps de programme restant.

REMARQUE

- Le temps estimé indiqué à l'écran ne comprend pas les délais de chauffage de l'eau, notamment.
- Si l'option **Delay Start (Démarrage programmé)** est sélectionnée, l'écran indique les heures avant le démarrage programmé.
- La durée du cycle peut varier en fonction du niveau de saleté de votre vaisselle.

• **Control Lock (Verrouillage des commandes)**

- La fonction **Control Lock (Verrouillage des commandes)** permet d'empêcher que les réglages ne soient modifiés en cours de cycle. Lorsque cette fonction est activée, tous les boutons du panneau de contrôle sont verrouillés, sauf le bouton **Power (Mise sous tension)**. Cette fonction ne verrouille pas la porte.

- Lorsqu'un cycle est en cours, appuyez sur le bouton **Delay Start (Départ programmé)** et maintenez-le enfoncé pendant trois secondes pour activer ou désactiver le verrouillage de sécurité **Control Lock (Verrouillage des commandes)**.
 - Pour démarrer un nouveau cycle, désactivez la fonction **Control Lock (Verrouillage des commandes)**.
 - **Wi-Fi**
 - Ce voyant à DEL s'illumine si l'appareil est connecté à Internet par l'entremise d'un réseau Wi-Fi.
 - Maintenez la touche **Remote Start (Départ à distance)** enfoncée pendant environ trois secondes pour connecter l'appareil au réseau.
 - **Remplissage du récipient de sel**
 - Ce voyant à DEL clignote lorsque le niveau de sel est bas. Le voyant à DEL s'éteint automatiquement lorsque le récipient de sel est rempli.
- ③ **Bouton marche/arrêt des tonalités**
- Pour activer ou désactiver les tonalités des boutons, appuyez simultanément sur les boutons **Extra Dry (Séchage supplémentaire)** et **Delay Start (Départ programmé)** pendant trois secondes. La tonalité de l'alerte d'erreur ne peut pas être désactivée.
- ④ **Bouton Cancel (Annuler)**
- La pompe de vidange s'active et le cycle s'annule. Une fois l'eau évacuée, le lave-vaisselle se met hors tension.
 - Maintenez le bouton **Start (Départ)** enfoncé pendant trois secondes pour activer le réglage.
- ⑤ **Bouton Start (Départ)**
- Pour faire fonctionner l'appareil, vous pouvez appuyer sur **Start (Départ)** et fermer la porte dans les quatre secondes qui suivent ou fermer la porte et appuyer sur **Start (Départ)**.
 - Un signal d'alerte sera émis si la porte est fermée plus de quatre secondes après la pression du bouton **Start (Départ)**.

Cycles de lavage

Sélectionnez le cycle que vous désirez.

Auto

Ce cycle détecte la quantité de saleté et sa résistance et est optimisé pour obtenir le meilleur nettoyage.

Heavy (Intensif)

Ce cycle convient à la vaisselle très sale ainsi qu'à la vaisselle dont la saleté a durci. Ce cycle est réglé par défaut à la puissance de vaporisation maximale et l'utilise pour laver la vaisselle très sale.

Delicate (Délicat)

Utilisez ce cycle pour nettoyer efficacement les objets délicats tels que la porcelaine et les verres à pied.

Refresh (Rafraîchissement)

Ce cycle rafraîchit et réchauffe la vaisselle qui n'a pas été utilisée depuis longtemps.

- N'utilisez pas de détergent lorsque vous utilisez ce cycle.
- L'option de production de vapeur ne peut être désactivée pour ce cycle.

Normal

Ce cycle convient à une utilisation quotidienne, régulière ou habituelle pour laver un chargement complet de vaisselle normalement sale. L'étiquette d'utilisation d'énergie se base sur ce cycle, sans options ajoutées.

Turbo

Ce cycle lavera la vaisselle très souillée en une heure en utilisant un peu plus d'eau et d'énergie.

- Ce cycle ne comporte pas d'option de séchage. Sélectionnez l'option **Extra Dry**

32 FONCTIONNEMENT

(Séchage supplémentaire) pour obtenir de meilleurs résultats de séchage.

Download Cycle (Téléchargement d'un cycle)

Utilise un cycle dédié téléchargeable par Wi-Fi ou NFC.

REMARQUE

- Seul le code de cycle pour le cycle téléchargé en cours s'affiche sur l'appareil. Consultez l'application pour téléphone intelligent pour connaître les codes et les noms de cycles, et pour obtenir de plus amples renseignements sur les cycles offerts.
- Cycle par défaut : P1. Casseroles

Machine Clean (Nettoyage de l'appareil)

Ce cycle sert à nettoyer l'intérieur du lave-vaisselle. Utilisez le cycle sans mettre de vaisselle dans l'appareil. Il élimine les résidus de saletés, les odeurs, les taches blanches et autres impuretés. Ajoutez de l'acide citrique ou un autre agent nettoyant pour plus d'efficacité.

- Maintenez le bouton **Heavy (Intensif)** enfoncé pendant trois secondes pour activer le réglage.

Rinse (Rinçage)

Ce cycle procède à un rinçage rapide pour les plats qui ne vont pas être lavés immédiatement. Ce cycle rince les plats sales pour ramollir les dépôts séchés. Le rinçage des plats permet d'éviter les mauvaises odeurs dans le lave-vaisselle. Ne pas utiliser de détergent.

- Ce cycle ne comporte pas d'option de séchage.
- Maintenez le bouton **Normal** enfoncé pendant trois secondes pour activer le réglage.

Express

Ce cycle lavera rapidement la vaisselle peu souillée.

- Ce cycle ne comporte pas d'option de séchage. Sélectionnez l'option **Extra Dry (Séchage supplémentaire)** pour obtenir de meilleurs résultats de séchage.
- Maintenez le bouton **Turbo** enfoncé pendant trois secondes pour activer le réglage.

Autres options et fonctionnalités

Sélectionnez le cycle désiré, puis sélectionnez les options pour celui-ci.

Dual Zone (Deux zones)

Cette option règle automatiquement l'intensité de la vaporisation à douce pour le bras de lavage supérieur et à forte pour le bras de lavage inférieur. Placez la vaisselle très sale, comme les assiettes et les bols, dans le panier inférieur et la vaisselle légèrement sale, comme les tasses et les petites assiettes, dans le panier supérieur pour obtenir les meilleurs résultats.

Half Load (Demi-charge)

Cette option offre un lavage intensif en sélectionnant le panier supérieur ou inférieur. Pour les petites charges, utilisez seulement le panier supérieur ou le panier inférieur afin d'économiser de l'énergie et du temps. Appuyez de façon répétitive sur le bouton **Half Load (Demi-charge)** pour sélectionner le panier supérieur [⋮] ou le panier inférieur [⋮], ou pour annuler l'option.

Steam (Vapeur)

Cette option ajoute de la vapeur au début du cycle pour améliorer les performances de lavage.

High Temp. (Température élevée)

Augmente la température de lavage principale pour augmenter l'efficacité du nettoyage.

Extra Dry (Séchage supplémentaire)

Sélectionnez l'option **Extra Dry (Séchage supplémentaire)** pour obtenir de meilleurs résultats de séchage. Cette option permet d'ajouter du temps de séchage au cycle et d'élever la température de rinçage.

- Lorsque le distributeur d'agent de rinçage est vide, l'option **Extra Dry (Séchage supplémentaire)** est sélectionnée automatiquement.

Delay Start (Démarrage programmé)

Cette fonction vous permet de différer le démarrage d'un cycle sélectionné. Chaque fois qu'on appuie sur le bouton **Delay Start (Démarrage programmé)**, le délai avant le démarrage augmente d'une heure. Le délai avant le démarrage peut être réglé entre 1 et 12 heures, par incréments d'une heure.

Remote Start (Démarrage à distance)

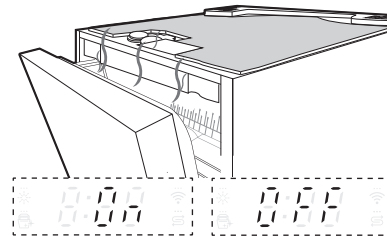
Utilisez un téléphone intelligent pour commander votre appareil à distance. Vous pouvez également suivre la progression du cycle et connaître le temps restant avant la fin de celui-ci. Une fois cette fonction activée, vous pouvez lancer un cycle à l'aide de l'application. Si le cycle ne s'amorce pas, l'appareil retardera le démarrage jusqu'à ce que le cycle soit désactivé à distance à partir de l'application ou que cette fonction soit désactivée.

Auto Open Dry (Système de séchage à ouverture automatique)

Activez la fonctionnalité d'ouverture automatique pour le séchage afin que la porte s'ouvre automatiquement à la fin des cycles qui comportent un séchage, dans le but d'améliorer les performances de séchage.

- La fonctionnalité d'ouverture automatique pour le séchage n'est pas offerte sur tous les modèles.
- Pour activer ou désactiver la fonctionnalité d'ouverture automatique pour le séchage, appuyez simultanément sur les boutons **High Temp. (Température élevée)** et **Extra Dry (Séchage supplémentaire)** pendant trois secondes.
- La fonctionnalité d'ouverture automatique pour le séchage n'est pas disponible lorsque le cycle de **Rinse (Rinçage)** est sélectionné.
- Si le cycle téléchargé **Download Cycle (Téléchargement d'un cycle)** est sélectionné, la fonctionnalité d'ouverture automatique pour le séchage pourrait fonctionner même si elle est désactivée. En effet, les cycles téléchargeables sont conçus pour offrir les meilleures performances de lavage dans un but précis, quels que soient les réglages de l'appareil.

- L'écran indique si la fonctionnalité d'ouverture automatique pour le séchage est activée ou non.



FRANÇAIS

⚠ AVERTISSEMENT

- Tenez les enfants à l'écart de l'appareil lorsque celui-ci fonctionne. L'exposition à de la vapeur à température élevée peut causer des brûlures.

Guide des options et des cycles

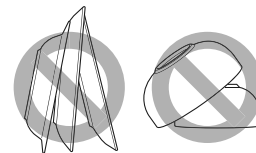
Le guide des cycles affiche les options disponibles pour chaque cycle.

Pour voir le guide des options et des cycles, consultez le manuel du propriétaire en ligne.

Chargement du lave-vaisselle

La très grande cuve peut contenir des plats, des poêles ou autres accessoires de cuisine ayant une hauteur de 11 3/4 pouces et moins. Pour obtenir des performances de lavage efficaces, suivez toujours les directives suivantes.

- Enlevez les gros débris alimentaires des assiettes, incluant les os, avant de charger la vaisselle.
- Faites tremper les articles avec des aliments brûlés avant de les charger dans le lave-vaisselle.
- Les casseroles et les plats profonds doivent être placés à l'envers.
- Assurez-vous que les articles ne se touchent pas.



Objets n'allant pas au lave-vaisselle

La combinaison d'une eau très chaude et de détergents pour lave-vaisselle peut endommager certains articles. Ne mettez pas les articles suivants dans le lave-vaisselle.

- Articles en cuivre ou en aluminium anodisé

34 FONCTIONNEMENT

- Porcelaine peinte à la main avec des feuilles d'argent ou d'or
- Vaisselle avec des manches en bois ou en os
- Ustensiles en fer ou qui peuvent rouiller
- Articles en plastique non recommandés pour le lave-vaisselle
- Couverts en argent sterling ou plaqués or, ou porcelaine délicate ou bordée de métal
- Articles fragiles comme des verres de cristal

⚠ MISE EN GARDE

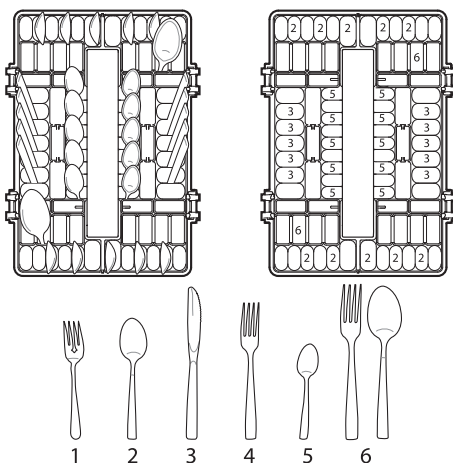
- Ne mettez pas de casseroles ou de poêles avec des manches en plastique dans l'appareil, car les poignées risquent de se détériorer à cause de la chaleur et du détergent.
- Les taches de rouge à lèvres résistant à l'eau ou de longue durée sur les verres pourraient ne pas partir au lavage.

Chargement du panier à ustensiles

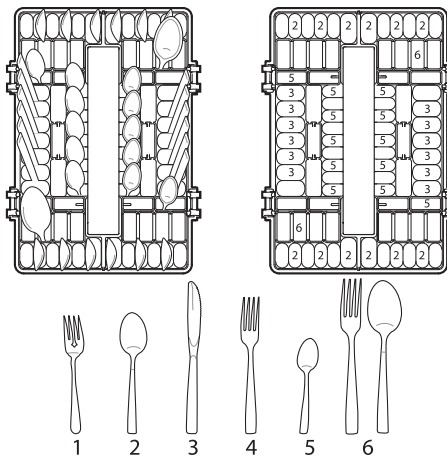
Le panier à ustensiles possède des séparateurs afin d'éviter de rayer ou ternir les ustensiles délicats.

Chargement des couverts dans le panier

Réglages du chargement de 10 couverts



Réglages du chargement de 12 couverts



Conseils sur le chargement des ustensiles :

- Pour un meilleur nettoyage, utilisez les séparateurs supérieurs dans le panier pendant le chargement des ustensiles. Les séparateurs empêcheront les ustensiles de s'entasser.
- Chargez les objets pointus, comme les couteaux, la pointe vers le bas.
- Lorsque vous videz le lave-vaisselle, il vaut mieux commencer par le panier à ustensiles. Cela empêche ainsi les gouttes d'eau de tomber sur vos ustensiles depuis le panier supérieur.

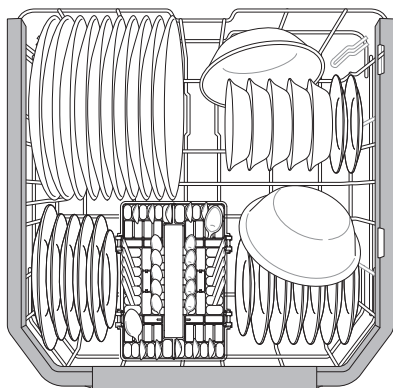
⚠ AVERTISSEMENT

- Soyez vigilant lorsque vous chargez ou déchargez des objets pointus. Placez les couteaux pointus avec le manche vers le haut afin de réduire le risque de blessure.

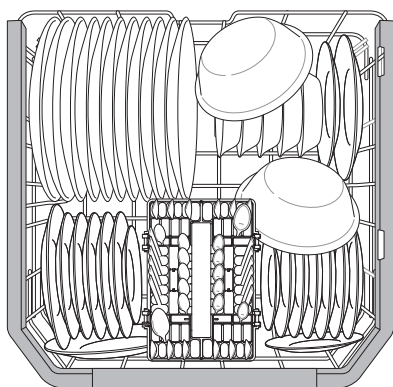
Chargement du panier inférieur

Chargement de la vaisselle dans le panier inférieur

Réglages du chargement de 10 couverts



Réglages du chargement de 12 couverts



Conseils pour le chargement du panier inférieur :

Pour obtenir des détails, consultez le manuel du propriétaire en ligne.

Rabattre le râtelier inférieur

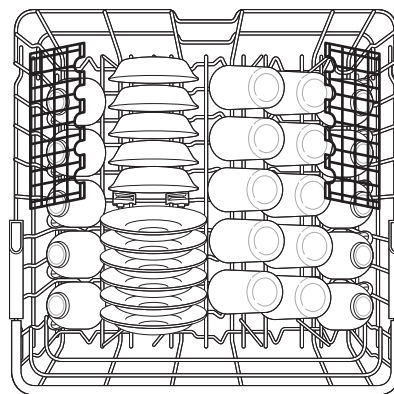
Pliez les dents pour loger les grands plats; déployez-les pour loger de petits plats.

Pour obtenir de plus amples détails, consultez le manuel du propriétaire en ligne.

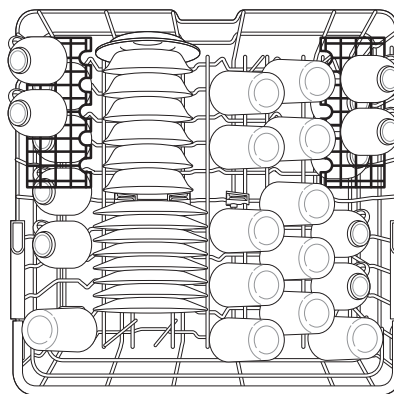
Chargement du panier supérieur

Chargement de la vaisselle dans le panier supérieur

Réglages du chargement de 10 couverts



Réglages du chargement de 12 couverts



Conseils pour le chargement du panier supérieur :

Pour obtenir des détails, consultez le manuel du propriétaire en ligne.

Chargement du panier

Les tasses supplémentaires ou les ustensiles de cuisine peuvent être posés par-dessus les compartiments à tasses refermés, qui servent aussi de support aux verres à long pied.

Pour obtenir de plus amples détails, consultez le manuel du propriétaire en ligne.

36 FONCTIONNEMENT

Retrait et remise en place du panier à tasses

Les paniers à tasses de droite et de gauche sont interchangeables et peuvent être retirés.

Pour obtenir de plus amples détails, consultez le manuel du propriétaire en ligne.

Rabattre le râtelier supérieur

Pliez les dents pour loger les grands plats; dépliez-les pour loger de petits plats.

Pour obtenir de plus amples détails, consultez le manuel du propriétaire en ligne.

Panier supérieur à hauteur réglable

Le panier supérieur se règle vers le haut et vers le bas. Relevez le panier supérieur pour placer des objets d'une hauteur maximale de 11 3/4 pouces dans le panier inférieur. Abaissez le panier supérieur pour placer des plats d'une hauteur maximale de 10 5/8 pouces dans le panier supérieur. Le panier supérieur est relevé lors de l'expédition.

Pour obtenir de plus amples détails, consultez le manuel du propriétaire en ligne.

AVERTISSEMENT

- Avant de le régler, assurez-vous que le panier ne contient aucune vaisselle. Autrement la vaisselle pourrait être endommagée ou vous pourriez vous blesser.

Retrait du panier supérieur coulissant et encliquetable

Les instructions qui se trouvent dans le manuel du propriétaire en ligne sont destinées aux modèles dotés de supports encliquetables plutôt que de supports munis de roues.

MISE EN GARDE

- Le panier supérieur encliquetable doit seulement être retiré lors de l'entretien de l'appareil. Si vous devez retirer le panier, assurez-vous de porter des gants et manipulez soigneusement le tournevis afin d'éviter de vous blesser ou d'endommager le lave-vaisselle.

Chargement du panier à couverts

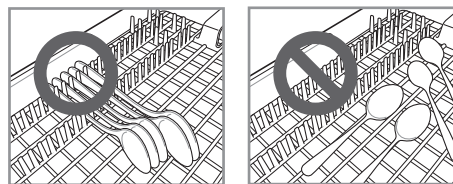
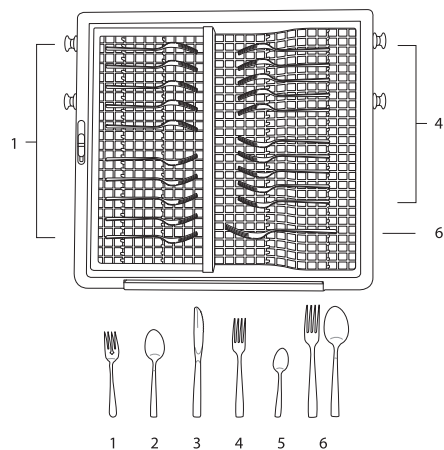
Le panier à couverts convient idéalement aux ustensiles plats. Les séparateurs des paniers à couverts permettent de maintenir les ustensiles plats séparés afin d'éviter de les endommager et d'améliorer leur nettoyage.

REMARQUE

- Pour un nettoyage optimal, placez les assiettes dans les paniers à argenterie. Les ustensiles très sales ou les plats ayant servi au four doivent être placés sur le panier du milieu ou dans le panier à cuillères pour un meilleur lavage.

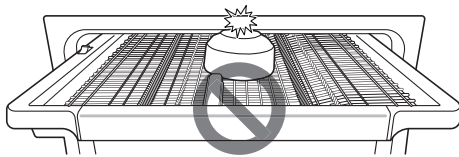
Chargement des couverts dans le panier à couverts

Réglages du chargement de 10 couverts



⚠ MISE EN GARDE

- Ne placez pas les bols au centre du panier à couverts. La porte pourrait ne pas se fermer correctement, ce qui entraînerait des fuites.

**Plateau à hauteur réglable**

Pour obtenir des détails, consultez le manuel du propriétaire en ligne.

Retrait du panier à argenterie

L'ensemble du panier à argenterie peut être retiré si plus d'espace est nécessaire sur le panier supérieur pour des objets larges.

Pour obtenir de plus amples détails, consultez le manuel du propriétaire en ligne.

⚠ AVERTISSEMENT

- Soyez vigilant lorsque vous chargez ou déchargez des objets à bords tranchants. Placez les couteaux aiguisés lame vers le bas pour éviter le risque de blessure.

Ajout de produits de nettoyage**Ajout de détergent dans le distributeur**

- Retirez l'étiquette sur le distributeur avant de mettre en marche le lave-vaisselle pour la première fois.
- La quantité de détergent voulue dépend du cycle, de la charge et du niveau de saleté des plats.
- Placez le détergent dans le bac de détergent avant le début d'un cycle, sauf le cycle de **Rinse (Rinçage)**.

⚠ AVERTISSEMENT

- Le détergent pour lave-vaisselle et l'agent de rinçage contiennent des produits chimiques,

comme tous les autres détergents pour la maison. Ils doivent donc être rangés hors de la portée des enfants.

⚠ MISE EN GARDE

- N'utilisez que du détergent conçu pour les lave-vaisselle. L'emploi d'un détergent inadéquat peut faire en sorte que le lave-vaisselle se remplisse d'eau savonneuse pendant le fonctionnement. L'excédent d'eau savonneuse peut diminuer la performance du lave-vaisselle et causer des fuites.
- Pour éviter d'endommager le distributeur, ne tirez pas dessus lorsque vous fermez la porte du lave-vaisselle.



Pour obtenir de plus amples détails, consultez le manuel du propriétaire en ligne.

Ajout de produit de rinçage dans le distributeur

Le voyant à DEL **Rinse Aid Refill (Regarnir produit de rinçage)** s'affiche à l'écran lorsqu'il faut ajouter plus d'agent de rinçage.

Il est recommandé d'utiliser un agent de rinçage pour prévenir les traces d'eau sur les plats et pour améliorer le séchage.

Pour obtenir de plus amples détails, consultez le manuel du propriétaire en ligne.

Réglage du distributeur de produit de rinçage

Le distributeur est doté de cinq niveaux de réglage. Le lave-vaisselle est programmé à l'usine pour un niveau du distributeur d'agent de rinçage de 2. Vous pouvez vérifier et changer ce niveau depuis le panneau de commande.

38 FONCTIONNEMENT

REMARQUE

- Réglez le distributeur à un niveau supérieur si votre eau est dure et que vous observez la présence de dépôts calcaires sur vos plats.
- Un distributeur de produit de rinçage réglé à un niveau trop faible favorisera la formation de taches et de marques sur les plats et diminuera la performance du séchage.
- Un réglage trop haut peut causer la formation de mousse, ce qui diminuera la performance du lavage.

- 1** Assurez-vous que l'appareil est éteint.
- 2** Appuyez simultanément sur les boutons **Dual Zone (Deux zones)** et **Power (Mise sous tension)** pour vérifier le réglage courant.
- 3** Appuyez sur **Remote Start (Démarrage à distance)** pour changer le réglage du distributeur d'agent de rinçage. Chaque fois que vous appuyez sur le bouton, le réglage passe au niveau suivant, de L0 à L4.
- 4** Une fois que le réglage du distributeur d'agent de rinçage désiré est sélectionné, appuyez sur **Start (Démarrage)** pour le sauvegarder.

Rechargement du produit de rinçage

La fréquence de rechargement du produit de rinçage dépend de la fréquence d'utilisation du lave-vaisselle et du niveau de distribution sélectionné.

- Le voyant à DEL **Rinse Aid Refill (Regarnir produit de rinçage)** clignote lorsqu'il faut ajouter de l'agent de rinçage, à moins que le réglage du distributeur d'agent de rinçage soit réglé à « L0 ».

FONCTIONS INTELLIGENTES

Application LG ThinQ

L'application **LG ThinQ** vous permet de communiquer avec l'appareil à l'aide d'un téléphone intelligent.

Caractéristiques de l'application LG ThinQ

- **Suivi**
 - Contrôlez l'état actuel, le cycle, les options, le temps de fonctionnement et l'heure de fin de cycle pour l'appareil sur un seul et même écran.
- **Download Cycle (Téléchargement d'un cycle)**
 - Vous pouvez télécharger de nouveaux cycles spécialisés qui ne sont pas inclus dans les cycles standards de l'appareil. Connectez l'appareil à l'application pour télécharger une variété de cycles de spécialité propres à l'appareil. Une fois le téléchargement de cycle terminé dans l'appareil, le produit garde en mémoire le cycle téléchargé jusqu'à ce qu'un nouveau cycle soit téléchargé.

REMARQUE

- Un seul cycle téléchargé peut être enregistré à la fois sur l'appareil.

• Aide au nettoyage de l'appareil

- Cette fonctionnalité indique le nombre de cycles restants avant qu'il soit temps d'exécuter le cycle **Machine Clean (Nettoyage de l'appareil)**.

• Smart Diagnosis

- Cette fonction fournit des renseignements utiles pour diagnostiquer et résoudre les problèmes avec l'appareil en se basant sur le profil d'utilisation. Sélectionnez la fonctionnalité **Smart Diagnosis** dans l'application et suivez les instructions. Pour obtenir de plus amples détails, consultez le manuel du propriétaire en ligne.

• Paramètres

- Réglez le niveau du distributeur de produit de rinçage, le rappel pour le nettoyage de l'appareil, le niveau du signal et le voyant indicateur de nettoyage.

Quand le cycle est terminé ou que l'appareil a des problèmes, vous avez l'option de recevoir des alertes instantanées sur un téléphone intelligent.

• Notifications poussées

- Activez les **Notifications poussées** pour recevoir des notifications sur l'état de l'appareil.

Les notifications sont déclenchées même si l'application **LG ThinQ** est éteinte.

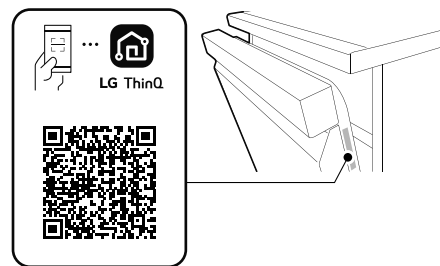
REMARQUE

- Si vous changez de routeur sans fil, de fournisseur de services Internet ou de mot de passe, supprimez l'appareil connecté de l'application **LG ThinQ**, puis connectez-le de nouveau.
- Cette information est à jour au moment de la publication. L'application est sujette à des modifications à des fins d'amélioration du produit, et ce, sans que l'utilisateur en soit préalablement avisé.

Installation de l'application LG ThinQ et connexion d'un appareil de LG

Modèles avec un code QR

Balayez le code QR ci-joint au produit en utilisant l'appareil photo ou un lecteur de codes QR sur votre téléphone intelligent.



Modèles sans code QR

- 1 À partir d'un téléphone intelligent, cherchez l'application **LG ThinQ** dans la boutique Google Play ou l'App Store d'Apple.
- 2 Lancez l'application **LG ThinQ**, connectez-vous à votre compte, ou créez un compte LG.
- 3 Appuyez sur le bouton Ajouter (+) sur l'application **LG ThinQ** pour connecter votre

40 FONCTIONS INTELLIGENTES

appareil de LG. Suivez les instructions de l'application pour terminer le processus.

REMARQUE

- Pour connaître l'état du réseau Wi-Fi, vérifiez que le voyant à DEL **Wi-Fi** sur le panneau de commande est allumé.
- L'appareil prend seulement en charge les réseaux Wi-Fi de 2,4 GHz. Pour vérifier la fréquence de votre réseau, contactez votre fournisseur de services Internet ou reportez-vous au manuel de votre routeur sans fil.
- **LG ThinQ** n'est pas responsable des problèmes de connexion au réseau ou des défauts, dysfonctionnements ou erreurs causés par la connexion au réseau.
- L'environnement sans fil peut causer un ralentissement du fonctionnement du réseau sans fil.
- S'il y a une trop grande distance entre l'appareil et le routeur sans fil, l'intensité du signal s'affaiblit. La connexion peut prendre du temps, ou l'installation de l'application peut échouer.
- Si l'appareil a des difficultés à se connecter au réseau Wi-Fi, il est peut-être trop loin du routeur. Procurez-vous un répéteur Wi-Fi (rallonge de portée) pour améliorer la force du signal Wi-Fi.
- La connexion réseau peut ne pas fonctionner correctement selon le fournisseur de services Internet.
- La connexion Wi-Fi peut ne pas se faire ou être interrompue à cause de l'environnement du réseau domestique.
- Si l'appareil ne peut pas être connecté en raison de problèmes liés à la transmission du signal sans fil, débranchez l'appareil et attendez environ une minute avant de réessayer.
- Si le pare-feu de votre routeur sans fil est activé, désactivez-le ou ajoutez-y une exception.
- Le nom du réseau sans fil (SSID) doit être une combinaison de lettres et de chiffres anglais. (N'utilisez pas de caractères spéciaux.)
- L'interface utilisateur (IU) du téléphone intelligent peut varier en fonction du système d'exploitation (SE) mobile et du fabricant.
- Si le protocole de sécurité du routeur est configuré sur **WEP**, la configuration du réseau peut échouer. Veuillez changer le protocole de sécurité (nous recommandons **WPA2**) et connectez le produit à nouveau.

Utilisation de l'appareil à distance

Remote Start (Démarrage à distance)

Utilisez un téléphone intelligent pour commander votre appareil à distance. Vous pouvez également suivre la progression du cycle et connaître le temps restant avant la fin de celui-ci.

Utilisation de la fonctionnalité de démarrage à distance

- 1 Chargez la vaisselle dans le lave-vaisselle.
- 2 Appuyez sur le bouton **Power (Mise sous tension)**.
- 3 Appuyez sur le bouton **Remote Start (Démarrage à distance)** et fermez la porte du lave-vaisselle pour activer la fonctionnalité de démarrage à distance.
- 4 Démarrez un cycle à partir de l'application **LG ThinQ** sur votre téléphone intelligent.

REMARQUE

- Une fois cette fonction activée, vous pouvez seulement lancer un cycle de lavage à l'aide de l'application **LG ThinQ** pour téléphone intelligent. Si le cycle n'est pas démarré, l'appareil retardera le démarrage jusqu'à ce que le cycle soit désactivé à distance à partir de l'application ou que cette fonction soit désactivée.
- Si la porte est ouverte, vous ne pouvez pas démarrer un cycle à distance.
- Si vous appuyez sur **Start (Démarrage)** après avoir appuyé sur **Remote Start (Démarrage à distance)**, la fonction de démarrage à distance sera désactivée.

Désactivation de Remote Start (Démarrage à distance) manuellement.

Lorsque la fonction de démarrage à distance est activée, ouvrez la porte du lave-vaisselle ou appuyez deux fois rapidement sur le bouton **Remote Start (Démarrage à distance)** en laissant la porte fermée.

Caractéristiques du module LAN sans fil

Gamme de fréquences	2412 MHz - 2462 MHz
Puissance de sortie (Max.)	< 30 dBm

Avis de la FCC

L'avis suivant couvre le module de transmetteur se trouvant dans le produit.

Cet équipement a été testé et jugé conforme aux limites d'un appareil numérique de classe B, conformément à la partie 15 des règles de la FCC. Ces limites sont établies pour fournir une protection raisonnable contre les interférences nuisibles dans une installation résidentielle. Cet équipement produit, utilise et peut émettre de l'énergie radioélectrique et, s'il n'est pas installé et utilisé conformément aux présentes instructions, peut causer des interférences nuisibles aux communications radio. Quoi qu'il en soit, on ne peut pas garantir que des interférences ne se produiront pas dans certaines installations. Si cet appareil cause des interférences nuisibles à la réception des signaux de radio ou de télévision, ce qui peut être déterminé en allumant et en éteignant l'appareil, on encourage l'utilisateur à essayer de corriger ces interférences par l'un des moyens suivants :

- Réorientez ou déplacez l'antenne de réception.
- Augmentez la distance séparant l'équipement du récepteur.
- Branchez l'appareil sur un circuit électrique différent de celui où le récepteur est branché.
- Contactez votre revendeur ou un technicien radio/télévision expérimenté.

Cet appareil est conforme à la partie 15 du règlement de la FCC Le fonctionnement est soumis aux deux conditions suivantes :

- (1) L'appareil ne doit pas produire de brouillage; et
- (2) L'appareil doit accepter tout brouillage radioélectrique subi, même si le brouillage est susceptible d'en compromettre le fonctionnement.

Tout changement ou toute modification apportés à cet appareil et qui ne sont pas approuvés de manière explicite par le fabricant sont susceptibles d'annuler l'autorité de l'utilisateur quant à utiliser l'appareil.

Énoncé FCC sur l'exposition aux radiations RF

Cet équipement est conforme aux limites de radiation de la FCC définies pour un environnement non contrôlé. Cet appareil et sa ou ses antennes ne doivent pas être colocalisés ou opérés en conjonction avec tout autre antenne ou transmetteur.

Cet appareil doit être installé et utilisé de façon à maintenir une distance minimale de 20 cm (7,8 po) entre l'antenne et l'utilisateur. Les utilisateurs doivent respecter les directives d'utilisation afin de satisfaire aux critères en matière d'exposition aux rayonnements RF.

Avis d'Industrie Canada

L'émetteur/récepteur exempt de licence contenu dans le présent appareil est conforme aux CNR d'Innovation, Sciences et Développement économique Canada applicables aux appareils radio exempts de licence. L'exploitation est autorisée aux deux conditions suivantes:

- (1) Cet appareil ne doit pas provoquer d'interférences
- (2) Cet appareil doit accepter toutes les interférences, y compris celles pouvant entraîner son dysfonctionnement.

Énoncé d'IC concernant l'exposition à la radiation

Cet appareil est conforme aux limites d'exposition aux rayonnements d'Industrie Canada pour un environnement non contrôlé.

Cet appareil doit être installé et utilisé de façon à garder une distance minimale de 20 cm (7,8 pouces) entre la source de rayonnement et votre corps.

REMARQUE

- LE FABRICANT N'EST PAS RESPONSABLE DES INTERFÉRENCES RADIOÉLECTRIQUES CAUSÉES PAR DES MODIFICATIONS NON AUTORISÉES APPORTÉES À CET APPAREIL. DE TELLES MODIFICATIONS POURRAIENT ANNULER L'AUTORISATION ACCORDÉE À L'UTILISATEUR DE FAIRE FONCTIONNER L'APPAREIL.

42 FONCTIONS INTELLIGENTES

Renseignements sur l'avis de logiciel libre

Pour obtenir le code source conformément aux dispositions de la licence publique générale, de la licence publique générale limitée, de la licence publique Mozilla et de toute autre licence régissant les logiciels à code source libre contenus dans ce produit et exigeant la divulgation du code source, visitez le site <https://opensource.lge.com>. En plus du code source, toutes les dispositions de licence, les avis de droits d'auteurs et autres documents pertinents peuvent aussi être consultés.

LG Electronics mettra également à votre disposition le code source libre sur CD-ROM pour un prix couvrant le coût de la distribution (coût du support, de l'expédition et de la manutention) sur simple demande par courriel à l'adresse opensource@lge.com.

Cette offre est valable pour une période de trois ans après notre dernière expédition de ce produit et s'applique à toute personne ayant reçu ces renseignements.

ENTRETIEN

Pour maintenir une bonne performance et éviter les problèmes, il est important de vérifier l'extérieur et l'intérieur du lave-vaisselle, incluant les filtres et les bras de lavage, à intervalles réguliers.

⚠ AVERTISSEMENT

- Quand vous nettoyez l'extérieur et l'intérieur du lave-vaisselle, n'utilisez pas de benzène ou de diluant. Autrement, cela pourrait causer un incendie ou une explosion.
- Pour éviter les blessures durant l'entretien et le nettoyage, portez des gants ou des vêtements de protection.

Nettoyage et entretien

Nettoyage de l'extérieur

- N'utilisez pas de tampons à récurer ni de nettoyeurs abrasifs sur la surface extérieure du lave-vaisselle.
- Pour éliminer la saleté courante, il suffit d'utiliser un chiffon doux humide ou une éponge. Vous pouvez également utiliser un savon doux pour aider à éliminer la saleté tenace. Rincez et essuyez ensuite les surfaces avec un linge doux.
- Vous pouvez polir les surfaces en acier inoxydable à l'aide d'un nettoyeur pour acier inoxydable. Suivez les instructions sur le nettoyeur, puis essuyez la surface dans le sens du grain.

⚠ MISE EN GARDE

- Si de l'huile de cuisson est renversée sur la surface extérieure de l'appareil, essuyez-la immédiatement. Ne nettoyez pas la surface extérieure de l'appareil avec des produits de nettoyage contenant de l'alcool, du diluant, du javellisant, du benzène, du liquide inflammable ou des substances abrasives. Ces substances peuvent décolorer ou endommager l'appareil.

Nettoyage de l'intérieur

- Nettoyez l'intérieur du lave-vaisselle périodiquement à l'aide d'un chiffon doux et humide ou d'une éponge pour enlever les résidus alimentaires et les impuretés.
- Pour éliminer les taches blanches et les odeurs à l'intérieur du lave-vaisselle, lancez un cycle à vide sans détergent ou avec une tasse de vinaigre blanc dans un verre ou un bol pour lave-vaisselle placé dans le panier supérieur. (Le vinaigre est un acide et, en cas d'utilisation intensive, il risque d'endommager l'appareil.)

- Utilisation du cycle **Machine Clean (Nettoyage de l'appareil)**

- Exécutez le cycle Machine Clean (nettoyage de la machine) une fois par mois ou tous les 30 cycles pour éliminer la saleté résiduelle, les odeurs, les taches blanches et autres saletés à l'intérieur de l'appareil.

- 1 Retirez tous les plats de l'appareil.
- 2 Ajoutez trois cuillères à soupe (40 g) d'acide citrique dans le distributeur de détergent ou suivez les instructions du fabricant si vous utilisez un produit de nettoyage pour lave-vaisselle. N'utilisez pas de détergent pour lave-vaisselle.
- 3 Appuyez sur **Machine Clean (Nettoyage de l'appareil)** pour sélectionner le cycle **Machine Clean (Nettoyage de l'appareil)**.
- 4 Appuyez sur **Start (Démarrage)**.

REMARQUE

- Exécutez le cycle **Machine Clean (Nettoyage de l'appareil)** une fois par mois, ou plus souvent au besoin, pour éliminer l'accumulation de détergent et d'autres résidus.
- Si vous n'avez pas utilisé le lave-vaisselle depuis une longue période, exécutez le cycle **Machine Clean (Nettoyage de l'appareil)** sans détergent pour rafraîchir l'intérieur. À la fin du cycle, nettoyez l'intérieur et l'extérieur du lave-vaisselle en suivant les directives d'**ENTRETIEN**.

44 ENTRETIEN

Coupure antirefoulement ou broyeur d'évier obstrué

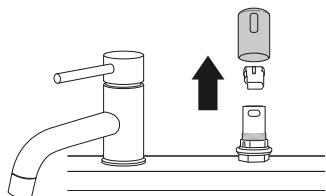
Vérifiez la coupure antirefoulement ou le broyeur d'évier si le lave-vaisselle n'est pas bien vidangé.

REMARQUE

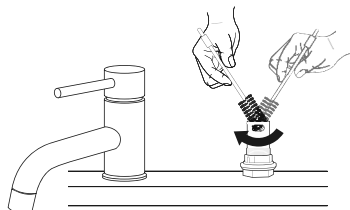
- La coupure antirefoulement et le broyeur sont des raccords externes à la tuyauterie qui ne font pas partie intégrante du lave-vaisselle.
- La garantie du lave-vaisselle ne couvre pas les frais de service directement associés au nettoyage ou à la réparation de la coupure antirefoulement externe et du broyeur.

Nettoyage de la coupure antirefoulement

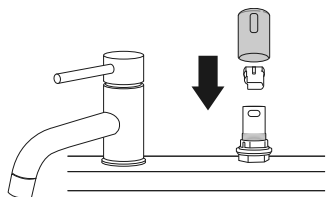
- 1 Éteignez le lave-vaisselle.
- 2 Retirez le couvercle de la coupure antirefoulement et le capuchon de plastique qui est dessous.



- 3 Enlevez tous les débris avec un cure-dent ou une brosse.



- 4 Remplacez le capuchon de plastique et le couvercle de la coupure antirefoulement.



Nettoyage des filtres

⚠ AVERTISSEMENT

- Prenez soin de ne pas toucher aux bords tranchants du filtre en acier inoxydable quand vous le manipulez.

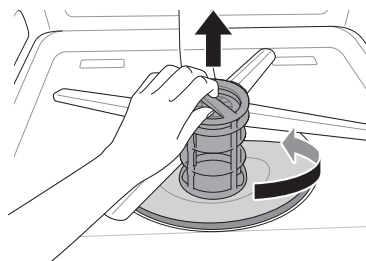
⚠ MISE EN GARDE

- Retirez les résidus d'aliments coincés dans les filtres pour éviter l'accumulation de bactéries causant des odeurs et les problèmes possibles de vidange.

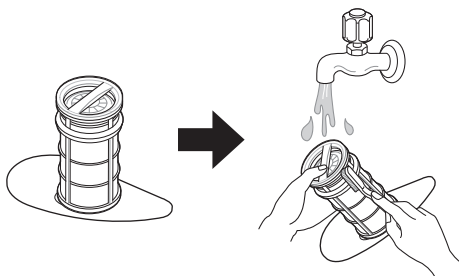
REMARQUE

- Pour de meilleures performances de lavage, nettoyez le filtre après chaque lavage. Si des résidus alimentaires restent dans le filtre, ils peuvent causer de mauvaises odeurs.
- En présence d'eau calcaire, nettoyez le filtre au moins une fois par mois à l'aide d'une brosse douce.
- Nettoyez les filtres à l'aide de matériaux non abrasifs et d'eau tiède.

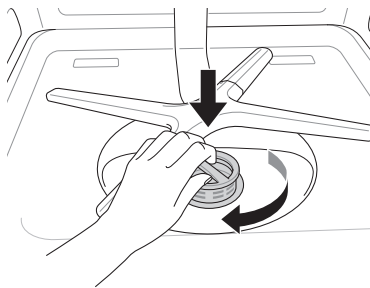
- 1 Retirez le panier inférieur et positionnez le bras de vaporisation afin qu'une ouverture en V plus large soit pointée vers l'avant.
- 2 Tournez le filtre intérieur dans le sens inverse des aiguilles d'une montre et retirez l'unité assemblée comprenant le filtre intérieur et le filtre en acier inoxydable. Une fois les filtres retirés, vérifiez l'ouverture du puisard et retirez toute substance étrangère, si tel est le cas.



- 3 Nettoyez les filtres avec une brosse douce sous l'eau courante. Rassemblez les filtres avant de les réinstaller.

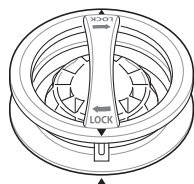


- 4** Pour replacer les filtres assemblés, positionnez le bras de vaporisation de façon à avoir l'ouverture en V plus large pointée vers l'avant. Remplacez les filtres dans le boîtier à filtres et fixez-les en place en tournant le filtre intérieur jusqu'à ce qu'il se bloque en place.



REMARQUE

- Assurez-vous que le filtre est bien assemblé avant de démarrer un cycle. Durant l'assemblage, tournez le filtre fermement jusqu'à entendre un clic.



Horaire recommandé pour le nettoyage des filtres

Nombre de lavages par semaine	Si vous lavez les plats avant de les placer dans le lave-vaisselle	Si vous frottez et rincez les plats avant le chargement
1 - 3	Tous les 6 mois	Une fois par an
4 - 7		
8 - 12		Tous les 6 mois
13 - 14		

Nombre de lavages par semaine	Si vous frottez simplement les plats avant le chargement dans le lave-vaisselle	Si vous ne frottez pas et ne rincez pas les plats avant le chargement
1 - 3	Quatre fois par an	Une fois par mois
4 - 7		Deux fois par mois (tous les 15 jours)
8 - 12	Tous les 1,5 mois	Chaque semaine
13 - 14		Deux fois par semaine

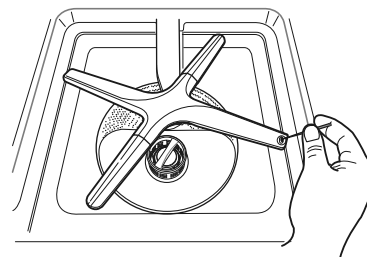
Nettoyage du bras de lavage

Si les trous du bras de lavage sont bloqués par des résidus alimentaires, la vaisselle pourrait ne pas être bien nettoyée à cause d'un jet d'eau incorrect.

Il est recommandé de nettoyer les bras de lavage toutes les deux semaines.

Nettoyage du bras de lavage inférieur

- Assurez-vous que les trous du jet d'eau ne sont pas bloqués par des miettes de nourriture.
- Si un résidu alimentaire bloque les trous du bras de lavage, retirez-le avec une épingle ou un bout de fil de fer rigide.



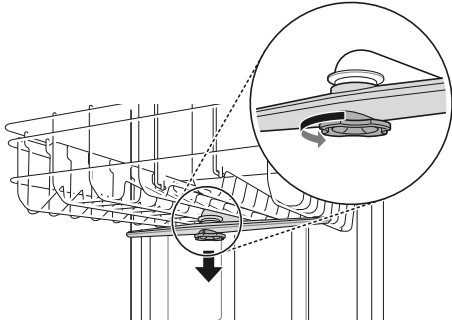
⚠ MISE EN GARDE

- Pour éviter d'abîmer les différentes pièces du gicleur rotatif, ne tirez pas dessus et ne les faites pas tourner manuellement.

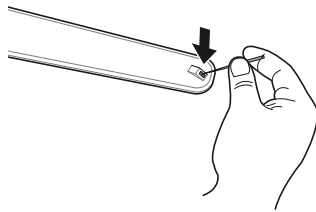
46 ENTRETIEN

Nettoyage du bras de lavage supérieur

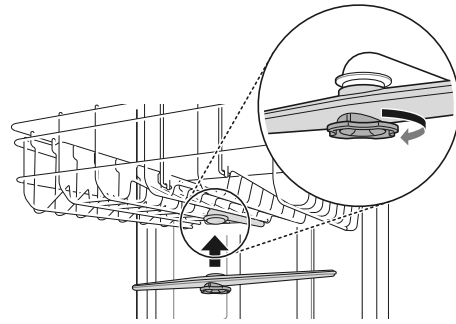
- 1** Tirez le panier supérieur vers l'avant. Assurez-vous que les trous du jet d'eau ne sont pas bloqués par des miettes de nourriture.
- 2** Si un nettoyage est nécessaire, retirez le gicleur supérieur en tournant l'écrou situé au bas du gicleur de 1/8 de tour dans le sens inverse des aiguilles d'une montre et en le tirant vers le bas.



- 3** Rincez ou agitez le bras de lavage pour enlever les miettes de nourriture.
- 4** Si un résidu alimentaire bloque les trous du bras de lavage, retirez-le avec une épingle ou un objet pointu.



- 5** Après avoir enlevé le résidu alimentaire, nettoyez les bras de lavage sous l'eau courante.
- 6** Après avoir nettoyé le bras de lavage supérieur, enfoncez-le pour le remettre en place. Tournez l'écrou de 1/8 de tour dans le sens horaire et assurez-vous que l'écrou se verrouille dans sa position initiale.



- 7** Après l'assemblage, assurez-vous que les bras de lavage tournent librement.

Entretien saisonnier et rangement

- Si vous vous absentez pour une longue période durant les mois les plus chauds, fermez l'arrivée d'eau et débranchez le câble d'alimentation électrique, ou éteignez le disjoncteur. Nettoyez le filtre, la cuve et le distributeur pour éviter les mauvaises odeurs.
- Si vous vous absentez pour une longue période durant les mois de la saison froide et que le temps risque d'être glacial, préparez les conduites d'alimentation en eau et le lave-vaisselle pour l'hiver. La préparation pour l'hiver doit être effectuée par un professionnel qualifié.

DÉPANNAGE

La laveuse est dotée d'un système de surveillance automatique des erreurs qui détecte et diagnostique très tôt les problèmes. Si la laveuse ne fonctionne pas correctement ou ne fonctionne pas du tout, vérifiez ce qui suit avant d'appeler un technicien.

FRANÇAIS

Avant d'appeler le réparateur

Pour en savoir davantage sur le dépannage, consultez le manuel du propriétaire en ligne.

Vidéos d'aide aux utilisateurs

Pour plus d'aide, il existe des vidéos et des tutoriels disponibles sur le site LG.com.

- 1 Rendez-vous sur la page d'accueil du site www.lg.com/ca_fr et cliquez sur l'onglet **Soutien** pour afficher le menu. Sélectionnez **Tutoriels vidéo**.
- 2 Choisissez une catégorie de produits et un thème, ou effectuez une recherche à l'aide d'un mot-clé.

REMARQUE

- Balayez ce code QR pour accéder rapidement à la page de recherche de vidéos du site Internet de LG.



Messages d'erreur

Symptômes	Causes possibles et solutions
I E	<p>Problème d'arrivée d'eau.</p> <ul style="list-style-type: none"> • Vérifiez si le tuyau d'arrivée d'eau est obstrué, plié ou gelé. • Vérifiez l'alimentation en eau.
OE	<p>Problème de vidange.</p> <ul style="list-style-type: none"> • Vérifiez si le tuyau de vidange de l'eau est obstrué, plié ou gelé.
	<p>Obstruction de la coupure antirefoulement ou du broyeur.</p> <ul style="list-style-type: none"> • Nettoyez la coupure antirefoulement ou le broyeur.
	<p>Les filtres sont obstrués.</p> <ul style="list-style-type: none"> • Nettoyez les filtres.
bE	<p>Surplus de mousse causé par un détergent inadéquat, tel que du liquide vaisselle.</p> <ul style="list-style-type: none"> • N'utilisez pas de liquides vaisselle classiques. Utilisez uniquement des détergents conçus pour être utilisés dans des lave-vaisselles automatiques. • Pour nettoyer les résidus de détergent de la cuve, versez environ 4 oz ~ 8 oz (100 ml ~ 200 ml) de lait dans un bol peu profond et placez-le dans le panier du haut, puis démarrez le cycle Auto du lave-vaisselle.
	<p>Incapacité de mettre le lave-vaisselle au niveau.</p> <ul style="list-style-type: none"> • Assurez-vous que l'appareil est adéquatement mis au niveau.

48 DÉPANNAGE

Symptômes	Causes possibles et solutions
RE	<p>Fuite d'eau.</p> <ul style="list-style-type: none"> Coupez l'alimentation en eau du lave-vaisselle et contactez un Centre d'information à la clientèle de LG Electronics en composant le 1 800 243-0000 (É.-U.) ou le 1 888 542-2623 (Canada). Le lave-vaisselle émet une tonalité d'alerte pendant 10 secondes puis active la pompe de vidange de façon intermittente. Si l'alimentation électrique est interrompue, l'appareil se rallume automatiquement jusqu'à ce que l'erreur AE soit résolue.
FE	<p>L'alimentation en eau est trop grande.</p> <ul style="list-style-type: none"> Veillez appeler un centre d'information à la clientèle de LG Electronics au numéro 1 800 243-0000 (États-Unis) 1 888 542-2623 (Canada).
HE	<p>Circuit de chauffage défectueux.</p> <ul style="list-style-type: none"> Veillez appeler un centre d'information à la clientèle de LG Electronics au numéro 1 800 243-0000 (États-Unis) 1 888 542-2623 (Canada).
EE	<p>Erreur du capteur de température de l'eau</p> <ul style="list-style-type: none"> Veillez appeler un centre d'information à la clientèle de LG Electronics au numéro 1 800 243-0000 (États-Unis) 1 888 542-2623 (Canada).
LE	<p>Erreur du moteur de la laveuse</p> <ul style="list-style-type: none"> Veillez appeler un centre d'information à la clientèle de LG Electronics au numéro 1 800 243-0000 (États-Unis) 1 888 542-2623 (Canada).
nE	<p>Erreur du moteur Vario</p> <ul style="list-style-type: none"> Veillez appeler un centre d'information à la clientèle de LG Electronics au numéro 1 800 243-0000 (États-Unis) 1 888 542-2623 (Canada).
P1, P2, P3, P4	<p>Le cycle téléchargé Download Cycle (Téléchargement d'un cycle) est sélectionné.</p> <ul style="list-style-type: none"> Cela n'est pas un code d'erreur. Ce code indique le cycle téléchargé Download Cycle (Téléchargement d'un cycle) en cours.
n:#, U:#, d:#, t# (# est un nombre.)	<p>Le mode Test est sélectionné.</p> <ul style="list-style-type: none"> Cela n'est pas un code d'erreur. Ce code est employé lors de la mise à l'essai du lave-vaisselle. Éteignez l'appareil, puis rallumez-le, et le code disparaîtra.
L0, L1, L2, L3, L4	<p>Le mode de réglage du niveau d'agent de rinçage est sélectionné.</p> <ul style="list-style-type: none"> Cela n'est pas un code d'erreur. Ce code indique le niveau actuel d'agent de rinçage. Pour obtenir davantage de renseignements, veuillez consulter la section Ajout de produits de nettoyage.
H0, H1, H2, H3, H4	<p>Le mode de réglage du niveau d'adoucissement est sélectionné.</p> <ul style="list-style-type: none"> Cela n'est pas un code d'erreur. Ce code indique le niveau actuel d'adoucissement de l'eau. Pour obtenir davantage de renseignements, veuillez consulter la section Ajustement du système d'adoucissement de l'eau.
CL	<p>Le verrouillage de sécurité Control Lock (Verrouillage des commandes) est activé.</p> <ul style="list-style-type: none"> Cela n'est pas un code d'erreur. Ce code indique que le verrouillage de sécurité est activé. Maintenez le bouton Delay Start (Démarrage programmé) enfoncé pendant trois secondes.

Wi-Fi

Symptômes	Causes possibles et solutions
Problème de connexion de l'appareil et du téléphone intelligent au réseau Wi-Fi	<p>Le mot de passe du réseau Wi-Fi a été saisi de manière incorrecte.</p> <ul style="list-style-type: none"> Supprimez votre réseau Wi-Fi domestique et recommencez le processus de connexion.

Symptômes	Causes possibles et solutions
Problème de connexion de l'appareil et du téléphone intelligent au réseau Wi-Fi	Les Données mobiles de votre téléphone intelligent sont activées. <ul style="list-style-type: none">Désactivez les données mobiles de votre téléphone intelligent avant de connecter l'appareil.
	Le nom du réseau sans fil (SSID) est erroné. <ul style="list-style-type: none">Le nom du réseau sans fil (SSID) doit être une combinaison de lettres et de chiffres anglais. (N'utilisez pas de caractères spéciaux.)
	La fréquence du routeur n'est pas de 2,4 GHz. <ul style="list-style-type: none">Seule une fréquence de routeur de 2,4 GHz est prise en charge. Réglez le routeur sans fil à 2,4 GHz et connectez-y l'appareil. Pour connaître la fréquence du routeur, informez-vous auprès de votre fournisseur de services Internet ou du fabricant du routeur.
	La distance entre l'appareil et le routeur est trop grande. <ul style="list-style-type: none">Si la distance entre l'appareil et le routeur est trop grande, le signal peut être faible et la connexion peut ne pas être configurée correctement. Déplacez le routeur afin qu'il soit plus près de l'appareil ou achetez et installez un répéteur Wi-Fi.
	Pendant la configuration du Wi-Fi, l'application demande un mot de passe pour se connecter au produit (sur certains téléphones). <ul style="list-style-type: none">Localisez le nom du réseau qui commence par « LG » sous Paramètres > Réseaux. Notez la dernière partie du nom du réseau.<ul style="list-style-type: none">Si le nom du réseau ressemble à LGE_Appliance_XX-XX-XX, saisissez lge12345.Si le nom du réseau ressemble à LGE_Appliance_XXXX, saisissez XXXX deux fois à titre de mot de passe. Par exemple, si le nom du réseau est LGE_Appliance_8b92, vous devez saisir 8b928b92 à titre de mot de passe. Dans ce cas, le mot de passe est sensible à la casse et les quatre derniers caractères sont uniques à votre appareil.

GARANTIE LIMITÉE

POUR CANADA

CONDITIONS

AVIS D'ARBITRAGE : LA PRÉSENTE GARANTIE LIMITÉE CONTIENT UNE DISPOSITION SUR L'ARBITRAGE QUI EXIGE QUE LE RÈGLEMENT DES DIFFÉRENDS ENTRE VOUS ET LG S'EFFECTUE PAR ARBITRAGE EXÉCUTOIRE PLUTÔT QUE DEVANT UN TRIBUNAL, À MOINS QUE LES LOIS DE VOTRE PROVINCE OU TERRITOIRE L'INTERDISSENT OU QUE, DANS UN AUTRE TERRITOIRE DE COMPÉTENCE, VOUS VOUS PRÉVALIEZ D'UNE OPTION DE RETRAIT. LES RECOURS COLLECTIFS ET LES PROCÈS DEVANT JURY NE SONT PAS AUTORISÉS PAR LE PROCESSUS D'ARBITRAGE. VEUILLEZ VOUS RÉFÉRER CI-DESSOUS À L'ARTICLE « PROCÉDURE DE RÈGLEMENT DE DIFFÉREND ».

Si votre lave-vaisselle LG ("Produit") a tombé en panne en raison d'un défaut de matériaux ou de fabrication sous une utilisation normale et appropriée, pendant la période de garantie indiquée ci-dessous, LG Electronics Canada Inc. («LGECI»), à son gré, réparera ou remplacera le «Produit» ou un offrira un remboursement au prorata après réception de la preuve d'achat originale au détail. Cette garantie limitée est valable uniquement qu'à l'acheteur original du «Produit» du détaillant et s'applique uniquement à un produit distribué, cacheté d'un détaillant autorisé et utilisé au Canada, tel que déterminé à la seule discrétion de «LGECI».

PÉRIODE DE GARANTIE: (Note : Si la date d'achat originale ne peut être vérifiée, la garantie commencera soixante (60) jours après la date de fabrication.)		
Lave-vaisselle	Garantie étendue des composants (pièces seulement) (La main-d'oeuvre sera à la charge du client un (1) an après la date d'achat.)	
Deux (2) ans à compter de la date d'achat initiale de l'appareil.	Cinq (5) ans après la date d'achat original de l'appareil	Dix (10) ans après la date d'achat original de l'appareil.
Main-d'œuvre/pièces (pièces internes/fonctionnelles seulement)	Panneau de contrôle principal†, panier, revêtement de la porte en acier inoxydable, cuve	Moteur DD

† Le panneau de contrôle principal est situé en bas à droite du lave-vaisselle, vu de face.

- Les produits et pièces de remplacement sont garantis pour la portion restante de la période de garantie originale ou quatre-vingt-dix (90) jours, selon la période la plus longue.
- Les produits et pièces de rechange peuvent être neufs, reconditionnés, remis à neuf ou autrement fabriqués en usine, tous à la seule discrétion de «LGECI».
- Une preuve de l'achat original détaillant le modèle du produit et la date d'achat est exigée pour obtenir le service de garantie en vertu de cette garantie limitée.

LA RESPONSABILITÉ DE LGECI EST LIMITÉE À LA GARANTIE LIMITÉE EXPRIMÉE CI-DESSUS. SAUF TEL QU'EXPRESSÉMENT FOURNI CI-DESSUS, LGECI DÉCLINE TOUTE AUTRE GARANTIE ET CONDITION CONCERNANT LE PRODUIT, EXPLICITE OU IMPLICITE, Y COMPRIS, MAIS SANS S'Y LIMITER, TOUTE GARANTIE IMPLICITE OU CONDITION DE QUALITÉ MARCHANDE OU D'ADAPTATION À UN USAGE PARTICULIER, ET AUCUNE REPRÉSENTATION NE SERA LIÉE À LGECI. LGECI N'AUTORISE AUCUNE PERSONNE À CRÉER OU ENSOSSER À SA PLACE QUELCONQUE AUTRE OBLIGATION DE GARANTIE OU RESPONSABILITÉ RELATIVE AU PRODUIT. DANS LA MESURE OÙ TOUTE GARANTIE OU CONDITION EST IMPLICITE PAR LA LOI, ELLE EST LIMITÉE À LA PÉRIODE DE GARANTIE DÉCLARÉE CI-DESSUS. EN AUCUN CAS, LGECI, LE FABRICANT OU LE DISTRIBUTEUR DU PRODUIT, NE SERA TENU RESPONSABLE DE TOUT DOMMAGE ACCESSOIRE, CONSÉCUTIF, SPÉCIAL, DIRECT, INDIRECT, PUNITIF OU EXEMPLAIRE, Y COMPRIS, SANS LIMITATION, LA PERTE DE COTE D'ESTIME, PERTE DE PROFITS, PERTE DE PROFITS ANTICIPÉS, PERTE DE REVENUS, PERTE D'UTILISATION OU DE TOUT AUTRE DOMMAGE, QU'IL SOIT PROVENU DIRECTEMENT OU INDIRECTEMENT DE TOUTE INFRACTION CONTRACTUELLE, VIOLATION FONDAMENTALE, DÉLICTEUELLE OU AUTRE, OU DE TOUT ACTE OU OMISSION. LA RESPONSABILITÉ TOTALE DE LGECI, S'IL EN EST, N'OUTREPASSERA PAS LE PRIX D'ACHAT PAYÉ PAR VOUS POUR LE PRODUIT.

Cette garantie limitée vous donne des droits légaux spécifiques. Vous pouvez également avoir d'autres droits qui varient d'une province à l'autre selon les lois provinciales applicables. Tout terme de cette Garantie limitée qui nie ou modifie toute condition ou garantie implicite en vertu de la loi provinciale est divisible lorsqu'elle est en conflit avec cette loi provinciale sans affecter le reste des termes de cette garantie.

LA PRÉSENTE GARANTIE LIMITÉE NE COUVRE PAS CE QUI SUIT :

- Tout déplacement du technicien pour : i) livrer, reprendre, installer ou; éduquer comment utiliser le Produit; ii) corriger le câblage ou plomberie; ou iii) rectifier toute réparation ou installation non-autorisée du Produit;
- Dommage ou panne du Produit à performer lors de panne de courant et service électrique inadéquat ou interrompu;
- Dommage ou panne en raison de tuyaux d'eau brisés ou dont l'eau fuit, conduite d'eau gelée, conduite de récupération obstruée, approvisionnement d'eau inadéquat ou interrompu ou ravitaillement d'air inadéquat;
- Dommage ou panne résultant de l'utilisation du Produit dans un environnement corrosif ou contraire aux instructions détaillées dans le manuel d'utilisation du Produit;
- Dommage ou panne du Produit en raison d'accidents, ravageurs et parasites, foudre, vent, feu, inondations, actes de Dieu ou toute autre raison hors du contrôle de LGECI ou du fabricant;
- Dommage ou panne résultant d'utilisation inappropriée ou abusive ou d'installation, réparation ou entretien imparfait du Produit. Réparation imparfaite inclut l'utilisation de pièces non autorisées ou spécifiées par LGECI. Installation ou entretien imparfait inclut toute installation ou entretien contraire aux instructions détaillées au manuel d'utilisation du Produit;
- Dommage ou panne en raison de modification ou altération non autorisée du Produit, ou si utilisé pour fins autres que celle d'appareil ménager domestique, ou dommage ou panne résultant de toute fuite d'eau due à une mauvaise installation du produit;
- Dommage ou panne en raison de courant électrique, tension ou codes de plomberie incorrects;
- Dommage ou panne en raison d'utilisation autre que celle d'appareil ménager domestique normale, incluant, sans limite, l'utilisation commerciale ou industrielle, incluant l'utilisation au bureau commercial ou centre récréatif, ou détaillée autrement au manuel d'utilisation du Produit;
- Dommage ou panne en raison d'utilisation de tout accessoire, composant ou produit nettoyant, incluant, sans limite, filtres à eau non autorisés par LGECI;
- Dommage ou panne provoqué par le transport et la manipulation, y compris rayures, bosses, écaillage et/ou autre endommagement à la finition du Produit, à moins qu'un tel dommage résulte d'une fabrication ou de matériaux défectueux et qu'il soit signalé à LGECI dans un délai d'une (1) semaine suivant la livraison du Produit;
- Dommage or articles absents de tout Produit démonstrateur, boîte ouverte, réusiné ou escompté;
- Produit réusiné ou tout Produit vendu "Tel quel", "Où est", "Avec tous défauts", ou toute mise en garde similaire;
- Produit dont le numéro de série original ait été retiré, altéré ou ne peut être facilement déterminé à la discrétion de LGECI;
- Augmentation de la facture d'électricité et dépenses additionnelles d'utilité de quelque manière associée au Produit;
- Tout bruit associé au fonctionnement normal du Produit;
- Remplacement de toute pièce n'étant pas originalement incluse avec le Produit;
- Remplacement des ampoules, filtres, fusibles ou tout autre élément consommable;
- Coûts associés au retrait et/ou réinstallation du Produit pour fins de réparation; et
- Les clayettes, bacs, tiroirs, poignées et accessoires du Produit, sauf les pièces internes / fonctionnelles couvertes par cette garantie limitée.

52 GARANTIE LIMITÉE

- Couverture pour réparations à domicile, pour produit sous garantie, sera fournie si le Produit se trouve dans un rayon de 150 km du centre de service autorisé (ASC) le plus près, tel que déterminé par LG Canada. Si votre Produit est situé à l'extérieur du rayon de 150 km d'un centre de service autorisé, tel que déterminé par LG Canada, il en ira de votre responsabilité d'apporter votre Produit, à vos frais, au centre de service (ASC) pour réparation sous garantie.

Tous coûts et dépenses associés aux circonstances d'exclusion ci-dessus, énumérés sous la rubrique « La présente garantie limitée ne couvre pas ce qui suit », sont à la charge du consommateur.

AFIN D'OBTENIR SOUTIEN DE GARANTIE ET INFORMATIONS SUPPLÉMENTAIRES VEUILLEZ NOUS APPELER OU VISITER NOTRE SITE WEB :

Appelez le 1 888 542-2623 (7 h à minuit - l'année longue) et sélectionnez l'option appropriée du menu, ou visitez notre site Web à l'adresse <http://www.lg.com>.

PROCÉDURE DE RÈGLEMENT DE DIFFÉREND :

SAUF LA OÙ LA LOI L'INTERDIT, TOUT DIFFÉREND ENTRE VOUS ET LG ASSOCIÉ DE QUELQUE FAÇON QUE CE SOIT À LA PRÉSENTE GARANTIE LIMITÉE SE RÈGLE EXCLUSIVEMENT PAR ARBITRAGE EXÉCUTOIRE PLUTÔT QUE DEVANT UN TRIBUNAL DE DROIT COMMUN. SAUF LA OÙ LA LOI L'INTERDIT, VOUS ET LG RENONCEZ IRRÉVOCABLEMENT À TOUT DROIT À UN PROCÈS DEVANT JURY, AINSI QU'À EXERCER UN RECOURS COLLECTIF OU À Y PARTICIPER.

Définitions. Aux fins du présent article, « LG » désigne LG Electronics Canada Inc., ses sociétés mères, ses filiales et ses sociétés affiliées et tous leurs dirigeants, administrateurs, employés, agents, bénéficiaires, détenteurs précédents des mêmes droits, successeurs, cessionnaires et fournisseurs; « différend » et « réclamation » englobent tout différend, réclamation ou litige de quelque sorte que ce soit (fondés sur une responsabilité contractuelle, délictuelle, légale, réglementaire ou découlant d'une ordonnance, par fraude, fausse représentation ou sous quelque régime de responsabilité que ce soit) découlant de quelque façon que ce soit de la vente, des conditions ou de l'exécution du produit ou de la présente Garantie limitée.

Avis de différend. Si vous prévoyez engager une procédure d'arbitrage, vous devez d'abord envoyer à LG un préavis écrit d'au moins 30 jours à l'adresse suivante : Équipe juridique LGECI, 20 Norelco Drive, North York, Ontario, Canada M9L 2X6 (l'« avis de différend »). Vous et LG convenez de discuter en toute bonne foi pour tenter de régler le différend à l'amiable. L'avis doit mentionner votre nom, votre adresse, votre numéro de téléphone, le produit faisant l'objet de la réclamation, la nature de la réclamation et la réparation demandée. Si vous et LG ne parvenez pas à régler le différend dans les 30 jours suivant la réception de l'avis de différend par LG, le différend doit être réglé par arbitrage exécutoire conformément à la procédure établie aux présentes. Vous et LG convenez que, tout au long du processus d'arbitrage, les modalités (y compris les montants) de toute offre de règlement formulée par vous ou par LG ne seront pas divulguées à l'arbitre et resteront confidentielles à moins d'accord contraire entre les deux parties ou que l'arbitre règle le différend.

Entente d'arbitrage exécutoire et renonciation à un recours collectif. Si la réclamation n'a pu être réglée dans les 30 jours suivant la réception de l'avis de différend par LG, vous et LG convenez de ne régler les réclamations vous opposant que par arbitrage exécutoire au cas par cas, à moins que vous vous prévaliez de l'option de retrait évoquée plus haut ou que vous résidiez dans un territoire de compétences qui interdit la pleine application de cette clause dans le cas de réclamations de ce type (Dans lequel cas, si vous êtes un consommateur, cette clause ne s'appliquera que si vous acceptez expressément l'arbitrage). Dans la mesure où la loi en vigueur le permet, aucun différend entre vous et LG ne peut être combiné ou regroupé avec un différend faisant intervenir le produit ou la réclamation d'une personne ou entité tierce. Plus précisément et sans limiter la portée de ce qui précède, sauf dans la mesure où une telle interdiction n'est pas autorisée en droit, en aucun cas un différend entre vous et LG ne peut être traité dans le cadre d'un recours collectif. Au lieu de l'arbitrage, les parties peuvent tenter une action individuelle devant une cour des petites créances, mais cette action ne peut pas être intentée dans le cadre d'un recours collectif, sauf dans la mesure où une telle interdiction n'est pas autorisée en droit dans votre province ou territoire de compétences pour une réclamation en cause qui nous oppose.

Règles et procédures d'arbitrage. Pour soumettre une réclamation à un arbitrage, l'une des deux parties, soit vous ou LG, doit déposer une demande écrite à cet effet. L'arbitrage est privé et confidentiel et s'effectue selon une procédure simplifiée et accélérée devant un arbitre unique choisi par les parties conformément aux lois et règlements en vigueur portant sur l'arbitrage commercial de votre province ou territoire de résidence. Vous devez également envoyer une copie de votre demande écrite à LG Electronics

Canada Inc., Legal Department - Arbitration, 20 Norelco Drive, North York, Ontario M9L 2X6. La présente disposition sur l'arbitrage est régie par les lois et règlements sur l'arbitrage commercial applicables de votre province ou territoire. La sentence arbitrale peut donner lieu à un jugement de n'importe quel tribunal compétent. Toutes les décisions relèvent de l'arbitre, à l'exception des questions associées à la portée et à l'applicabilité de la disposition sur l'arbitrage et à l'arbitrabilité du différend, qui sont du ressort du tribunal. L'arbitre est tenu de respecter les modalités de la présente disposition.

Droit applicable. Les lois de votre province ou territoire de l'achat régissent la présente Garantie limitée et tout différend entre nous, sauf dans la mesure où de telles lois sont supplantées par des lois fédérales, provinciales ou territoriales applicables ou sont incompatibles avec ces dernières. Si l'arbitrage n'est pas autorisé pour régler une réclamation, une poursuite, un différend ou un litige nous opposant, nous nous en remettons à la compétence exclusive des tribunaux de votre province ou territoire de l'achat pour le règlement de la réclamation, de la poursuite, du différend ou du litige nous opposant.

Frais et coûts. Aucuns frais ne sont exigibles pour entamer une procédure d'arbitrage. À la réception de votre demande d'arbitrage écrite, LG réglera rapidement la totalité des frais de dépôt de la demande d'arbitrage, sauf si vous réclamez des dommages-intérêts supérieurs à 25 000 \$. Dans ce cas, le paiement de ces frais sera régi par les règles d'arbitrage applicables. Sauf disposition contraire aux présentes, LG paiera tous les frais de dépôt de demande et d'administration ainsi que les honoraires de l'arbitre conformément aux règles d'arbitrage applicables et à la présente disposition sur l'arbitrage. Si vous remportez l'arbitrage, LG réglera vos frais et honoraires juridiques après avoir déterminé s'ils sont raisonnables en se fondant sur des facteurs comme, entre autres, le montant de l'achat et le montant de la réclamation. Si l'arbitre juge que le motif de la réclamation ou les réparations demandées sont futiles ou se fondent sur des motifs déplacés (au regard des lois applicables), le paiement de tous les frais d'arbitrage sera régi par les règles d'arbitrage applicables. Dans un tel cas, vous acceptez de rembourser à LG la totalité des montants versés qu'il vous revient autrement de payer en vertu des règles d'arbitrage applicables. Sauf disposition contraire et si elle remporte l'arbitrage, LG renonce à tous ses droits de vous réclamer des frais et honoraires juridiques.

Audience et lieu de l'arbitrage. Si votre réclamation est égale ou inférieure à 25 000 \$, vous pouvez opter pour un arbitrage conduit selon l'une des modalités suivantes uniquement : 1) sur examen des documents remis à l'arbitre, 2) par audience téléphonique ou 3) par audience en personne selon les dispositions des règles d'arbitrage applicables. Si votre réclamation dépasse 25 000 \$, le droit à une audience sera défini par les règles d'arbitrage applicables. Les audiences arbitrales en personne se tiendront à l'endroit le plus proche et le plus pratique pour les deux parties situé dans votre province ou votre territoire de résidence, sauf si nous convenons mutuellement d'un autre lieu ou d'un arbitrage par téléphone.

Dissociabilité et renoncement. Si une partie de la présente garantie limitée (y compris les présentes procédures d'arbitrage) n'est pas applicable, les dispositions restantes demeurent en vigueur dans la mesure permise par la loi applicable. Le fait de ne pas exiger la stricte exécution d'une disposition de la présente garantie limitée (y compris les présentes procédures d'arbitrage) ne signifie pas que nous ayons renoncé ni que nous ayons l'intention de renoncer à toute disposition ou partie de la présente garantie limitée.

Option de retrait. Vous pouvez vous retirer de la présente procédure de règlement de différend. Dans ce cas, ni vous ni LG ne pouvez imposer à l'autre partie de participer à une procédure d'arbitrage. Pour vous prévaloir de l'option de retrait, vous devez envoyer un préavis à LG dans les trente (30) jours civils à compter de la date de l'achat du produit par le premier acheteur i) dans un courriel adressé à optout@lge.com et dont la ligne d'objet porte la mention « Retrait de l'arbitrage » ou ii) en composant le 1-800-980-2973. Que ce soit par courriel ou par téléphone, vous devrez donner a) votre nom et votre adresse; b) la date d'achat du produit; c) le nom ou le numéro de modèle du produit et d) le numéro de série [qu'il est possible de trouver i) sur le produit ou ii) en ligne au https://www.lg.com/ca_fr/soutien/repairongarantie/demande-reparation, Trouver mes numéros de modèle et de série].

Si vous vous prévallez de l'option de retrait, les lois de votre province ou territoire de résidence régissent la présente Garantie limitée et tout différend entre nous, sauf dans la mesure où de telles lois sont supplantées par des lois fédérales, provinciales ou territoriales applicables ou sont incompatibles avec ces dernières. Si l'arbitrage n'est pas autorisé pour régler une réclamation, une poursuite, un différend ou un litige nous opposant, nous nous en remettons à la compétence exclusive des tribunaux de votre province ou territoire de compétence pour le règlement de la réclamation, de la poursuite, du différend ou du litige nous opposant.

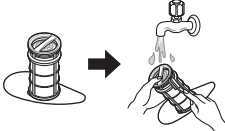
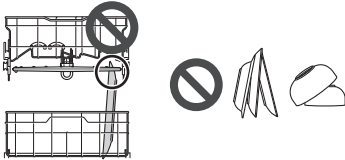
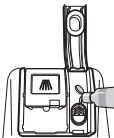
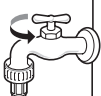

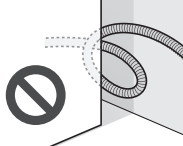
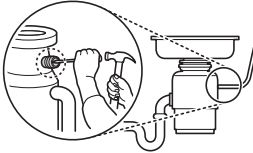
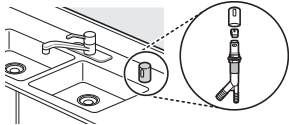
Vous ne pouvez vous prévaloir de l'option de retrait que de la manière décrite plus haut (c'est-à-dire par courriel ou par téléphone). Aucun autre type d'avis ne sera pris en compte pour le retrait de la présente

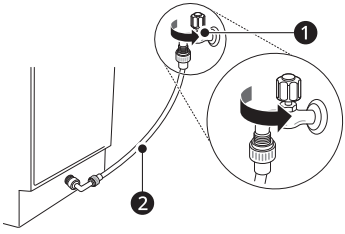
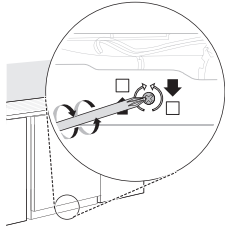
54 GARANTIE LIMITÉE

procédure de règlement de différend. Le fait de se retirer de la présente procédure de règlement de différend ne compromet d'aucune façon la protection accordée en vertu de la Garantie limitée, et vous continuerez à jouir de tous les avantages prévus par la Garantie limitée. Si vous conservez ce produit sans vous prévaloir de l'option de retrait, vous acceptez les conditions générales de la disposition sur l'arbitrage énoncée ci-dessus.

Conflit de modalités. En cas de conflit ou d'incompatibilité entre les modalités de la présente garantie limitée et le contrat de licence d'utilisation (CLU) en ce qui concerne le règlement des différends, les modalités de la présente garantie limitée contrôlent et régissent les droits et obligations des parties et ont préséance sur le CLU.

Exceptions à la garantie

<p>Pièrres résultats de lavage attribuables à des impuretés restées dans le filtre.</p>		<p>Nettoyez les filtres périodiquement.</p>
<p>Pièrres résultats de lavage attribuables à un chargement incorrect ou excessif : le bras de lavage ne tourne pas ou le distributeur de savon est obstrué.</p>		<p>Assurez-vous qu'aucun plat ni aucun ustensile n'obstrue la rotation des bras de lavage. Ne placez pas un plat au-dessus d'un autre.</p>
<p>Pièrres résultats de séchage attribuables à un manque de produit de rinçage.</p>		<p>Utilisez un produit de rinçage ou un détergent combiné.</p>
<p>L'eau n'entre pas, car la vanne d'eau n'est pas ouverte. Erreur IE</p>		<p>Ouvrez le robinet et vérifiez-le.</p>
<p>L'eau n'entre pas, car le tuyau d'arrivée d'eau est plié. Erreur IE</p>		<p>Réinstallez le tuyau d'entrée d'eau.</p>
<p>L'eau n'évacue pas, car le tuyau de vidange est plié. Erreur OE</p>		<p>Réinstallez le boyau d'évacuation.</p>
<p>Le bouchon du broyeur à déchets n'est pas retiré. Erreur OE</p>		<p>Retirez le bouchon du broyeur.</p>
<p>Des débris bloquent le broyeur ou la coupure antirefoulement. Erreur OE</p>		<p>Nettoyez le broyeur ou la coupure antirefoulement.</p>

<p>Le raccordement de la soupape d'aspiration et du tuyau de vidange est problématique en raison d'une installation incorrecte. Fuite externe</p>	 <p>❶ Robinet ❷ Tuyau d'alimentation en eau</p>	<p>Réinstallez le tuyau.</p>
<p>La porte n'ouvre pas ou ne ferme pas en raison d'une mauvaise mise à niveau.</p>		<p>Réglez les pieds de nivellement inférieurs avant à la hauteur requise.</p>
<p>Pas de puissance en raison d'une connexion desserrée du cordon d'alimentation ou d'un problème lié à la prise de courant.</p>		<p>Rebranchez le cordon d'alimentation ou réparez la prise électrique.</p>
<p>Livraison, câblage électrique, plomberie. Installation</p>		<p>L'installation vous sera facturée.</p>



LG Customer Information Center

For inquiries or comments,
visit **www.lg.com** or call:

1-800-243-0000

U.S.A.

1-888-542-2623

CANADA

Register your product Online!

www.lg.com