

MONOGRAM 30" STEAM OVEN

ZMB9032SNSS



THE MONOGRAM STATEMENT COLLECTION

Edge-to-edge handles, polished stainless steel, and hand-finished edges convey a sense of solidity and beauty

STEAM COOKING

This healthy method of cooking helps foods to better retain their flavor, color and nutritional value

COMBINATION COOKING

Utilizing True European convection baking, broiling and roasting with steam assist at the same time creates exceptional results

PRE-PROGRAMMED RECIPES

Select from a large number of built-in recipes to perfectly prepare vegetables, rice, grains and meat

INNOVATIVE RECIRCULATING WATER SYSTEM

An advanced feature that maximizes water use and provides continuous steam throughout the cooking process

PAN SET

These six stainless steel pans are the ideal cookware for reheating multiple food items simultaneously while also reducing odor and flavor transfer



SPECIFICATIONS

Overall Width	29 3/4" (75.6)
Overall Height	18 5/8" (47.3)
Overall Depth	22 13/16" (58 cm)
Oven Door Clearance	13 1/4" (33.6 cm)
Overall Oven Interior Capacity	1.3 cu. ft.
Oven Interior Dimensions (W x H x D)	16" x 8" x 13" (40 cm x 20 cm x 33 cm)
Minimum Cabinet Width	30" (76.2 cm)
Minimum Cabinet Depth	21 1/2" (54.6 cm)
Minimum Base Support	130 lbs (59 kg)
Cutout Width	25 1/4" (64.1 cm)
Cutout Height*	17 3/4" (45 cm)
Cutout Depth	21 1/2" (54.6 cm) Min
Voltz/Hertz/Amps	240 VAC, 60 Hz, 20Amps
Conduit Length	53" (134.6 cm)
Electrical Rating	2.25 kW at 208V 3 kW at 240V
Total Amps	20 amps
Shipping Weight	115 lbs (52.1 kg)

OPTIONAL ACCESSORY

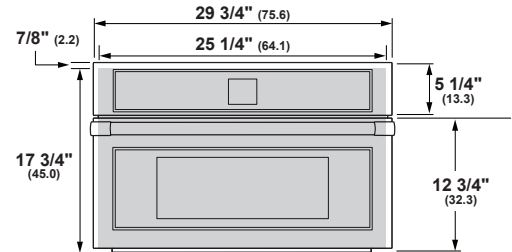
ZXSTEAM1	Allow 1 1/2" from platform to bottom of trim. Additional 1/8" clearance to any other cabinet or product
----------	---

* 17 1/2" minimum: 17 3/4" recommended for new installs

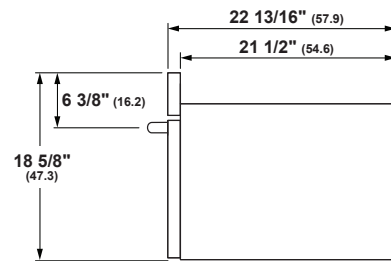
ATTENTION ELECTRICIAN:

A 240V, 60Hz, 20 Amp circuit is required. An individual properly grounded branch circuit or circuit breaker is required. Hardware junction box is required for built-in product.

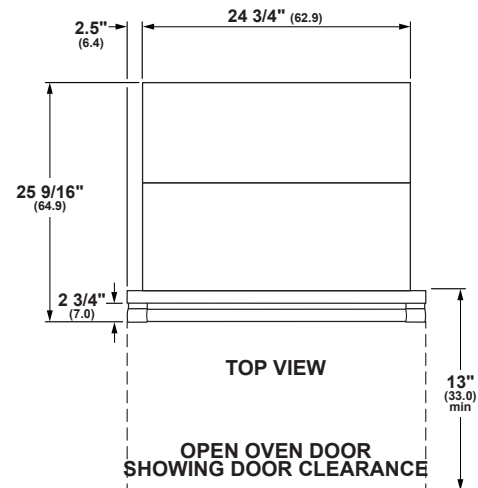
OVERALL DIMENSIONS



FRONT VIEW (SHOWING CUTOUT OVERLAP)



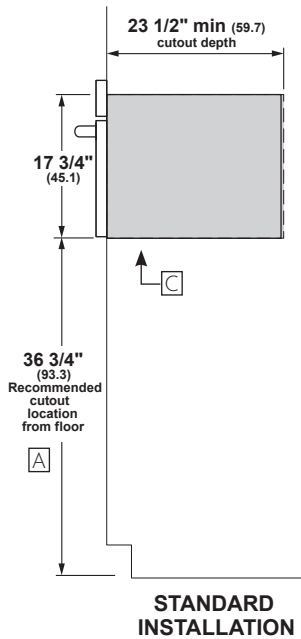
SIDE VIEW



TOP VIEW
OPEN OVEN DOOR
SHOWING DOOR CLEARANCE

Dimensions in parentheses are in centimeters unless otherwise noted. Actual product dimensions may vary due to manufacturing tolerances.

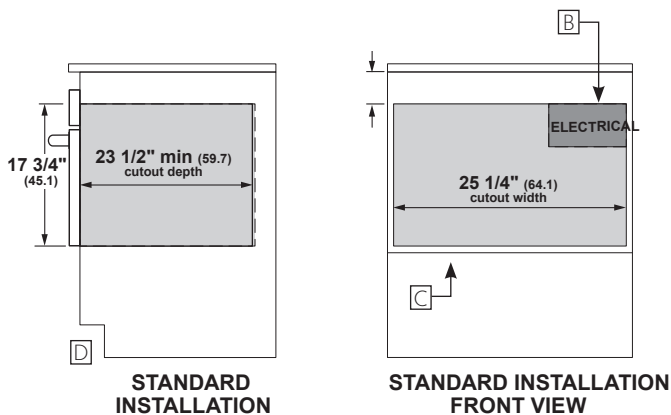
WALL INSTALLATION



HELPFUL TIPS

- A** Based on a user height of 5' 6" to 5' 10".
- B** Junction box location (May also be located in adjacent cabinet.)
- C** Platform must be able to support 130 lbs (59 kg).
- D** Maximum toe kick height of 4" when installed beneath a certified cooktop.

UNDERCOUNTER INSTALLATION



For more details, refer to the installation instructions for this product on Monogram.com. Dimensions in parentheses are in centimeters unless otherwise noted.