

**'AFA58-C'F9: F"**  
**F9: F 9F5H98' I B89F7 "''''**

PNC MODEL  
I H G J A S O P W O Y V G U A

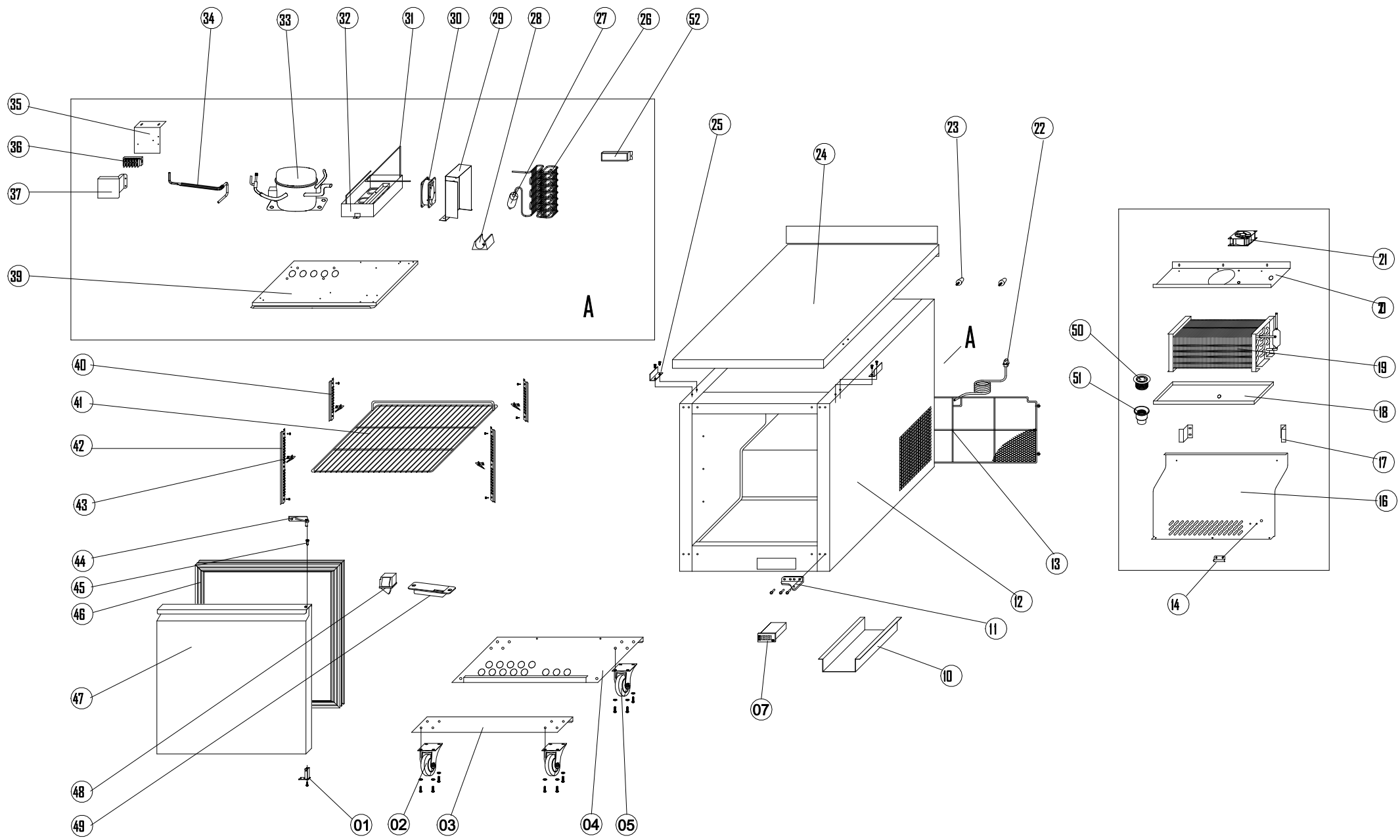
| Pag. | Indice        | Index            |
|------|---------------|------------------|
| 2    | Disegni       | Drawings         |
| 3    | Lista ricambi | Spare parts list |

Brand / Marchio: SÒŠXQÆVUÜ

Ä  
Á

Uæ ^ k F M O ð Z G C E F Á

Doc. Nr.: \_\_\_\_\_



**EXPLODE OF KCHUCWT27R**

## SPARE PARTS LIST OF KCHUCWT27R

| N0. | ELECTROLUX PNC | NAME                                 | ERP                          | QTY.  | MATERIAL         | REMARK       |
|-----|----------------|--------------------------------------|------------------------------|-------|------------------|--------------|
| 1   | 0USF83         | DOOR SPRING HINGE                    | 114030084                    | 1PC   |                  |              |
| 2   | 0USF03         | BRAKE WHEEL                          | 107050008                    | 2PCS  |                  |              |
| 3   | 0USJ57         | Front Support Of Unit Board          | 5201006281                   | 1PC   |                  |              |
| 4   | 0USJ58         | Back Support Of Unit Board           | 5201006282                   | 1PC   |                  |              |
| 5   | 0USH63         | Normal Wheel                         | 107050007                    | 2PCS  |                  |              |
|     | 0USK99         | Castor Mounting Bolt                 | 107210131                    | 16PCS | Galvanized STEEL | Hexagon Head |
|     | 0USL00         | Castor Mounting Locking Washer       | 107210244                    | 16PCS | Galvanized STEEL |              |
|     | 0USL01         | Castor Mounting Flat Washer          | 107210224                    | 16PCS | Galvanized STEEL |              |
| 7   | 0USF42         | Thermostat Controller                | 104020039                    | 1PC   |                  | D20-001M     |
|     | 0USC4C         | Inner Chest Temperature Sensor Probe | XR20C-TempSensorProbe-738263 | 1PC   |                  | BLACK        |
| 10  | 0USK07         | CABLE COVER                          | 5202003668                   | 1PC   |                  |              |
| 11  | 0USF81         | Down Hinge/Right                     | 114020122                    | 1PC   |                  |              |
| 12  |                | Body                                 | 5102002393                   | 1PC   |                  |              |
| 13  | 0USI13         | Unit Room Cover                      | 109040077                    | 1PC   |                  |              |
| 14  | 0USM10         | Sensor Fixed Clip                    | 108110315                    | 1PC   | PLASTIC          | GRAY         |
| 16  | 0USO12         | Evaporator Cover                     | 5202006040                   | 1PC   |                  |              |
| 17  | 0USK05         | FIXED SUPPORT OF EVAPORATOR COVER    | 5202003659                   | 2PCS  | STAINLESS        |              |
| 18  | 0USG58         | Evaporator Water Pan                 | 5202003661                   | 1PC   | STAINLESS        |              |
| 19  | 0USG35         | Evaporator                           | 5112000483                   | 1PC   |                  |              |
|     | 0USC6R         | Evaporator Temperature Sensor Probe  | XR20C-TempSensorProbe-738264 | 1PC   |                  | WHITE        |
| 20  | 0USK34         | Circle Fan Support                   | 5202004850                   | 1PC   |                  |              |
| 21  | 096250         | Circle Fan                           | 104030109                    | 1PC   |                  |              |
| 22  | 0USH67         | PLUG                                 | 104050013                    | 1PC   |                  |              |
| 23  | 0USH46         | Location Knob                        | 114010039                    | 2PCS  | RUBBER           |              |
| 24  | 0USL61         | Top                                  | 5108000416                   | 1PC   |                  |              |
| 25  | 0USL80         | TOP CLIP                             | 5201007056                   | 2PCS  |                  |              |
| 26  | 0USF38         | Condenser                            | 113070042                    | 1PC   |                  |              |
| 27  | 0USG65         | FILTER DRIER                         | 107180001                    | 1PC   | XH-9             |              |
|     | 0USL57         | CAPILLARY                            | 102050029                    | 1PC   |                  |              |
| 28  | 0USI78         | DRIER SUPPORT                        | 108300116                    | 1PC   |                  |              |
| 29  | 0USK25         | Condenser Fan Board                  | 5202004442                   | 1PC   |                  |              |
| 30  | 0USF14         | Condenser Fan                        | 104030041                    | 1PC   |                  |              |
| 31  | 0USG19         | Evaporate Pipe                       | 113110242                    | 1PC   | COPPER           |              |
| 32  | 0USI34         | WATER BOX                            | 5114000738                   | 1PC   | PLASTIC          |              |
| 33  | 0USF24         | Compressor                           | 104010223                    | 1PC   |                  |              |
| 34  | 0USO14         | Suction Pipe                         | 113100402                    | 1PC   | COPPER           |              |
| 35  | 0USK22         | CONNECTOR SUPPORT                    | 5202004245                   | 1PC   |                  |              |
| 36  | 0USF09         | Cable Connector                      | 104110005                    | 1PC   |                  |              |
| 37  | 0USJ98         | CONNECTOR COVER                      | 5202003545                   | 1PC   | ZINC             |              |
| 39  | 0USK24         | UNIT BOARD                           | 5202004434                   | 1PC   |                  |              |
| 40  | 0USI66         | SHELF SUPPORT B                      | 107100019                    | 2PCS  | STAINLESS        | 2 screw      |
| 41  | 0USC0V         | Shelf                                | 109020219                    | 1PC   |                  |              |
| 42  | 0USI44         | SHELF SUPPORT A                      | 107100018                    | 2 PCS | STAINLESS        |              |
| 43  | 0USH19         | K Shape Clip                         | 107090002                    | 4PCS  |                  |              |
| 44  | 0USI17         | UP HINGE /RIGHT                      | 114020125                    | 1PC   |                  |              |
| 45  | 096268         | BUSHING                              | 108300029                    | 1PC   | PLASTIC          |              |
| 46  | 0USG99         | Gasket                               | 108270290                    | 1PC   |                  |              |
| 47  | 0USF62         | Door                                 | 5107001111                   | 1PC   |                  |              |
| 48  | 096253         | DOOR SWITCH                          | 104090013                    | 1PC   |                  |              |
| 49  | 0USF88         | Door Switch Case                     | 114010067                    | 1PC   |                  |              |
| 50  | 096263         | Drain Pipe(B Ext)                    | 108110136                    | 1PC   | PLASTIC          |              |
| 51  | 0USG04         | Drain Pipe(A Int)                    | 108300031                    | 1PC   |                  |              |
| 52  | 096252         | Transformer                          | 104070144                    | 1PC   |                  |              |
|     | 0USM14         | Shelf Support Screw                  | 108300165                    |       |                  |              |
|     | 0USN75         | DRAIN FIXER                          | 108030581                    | 1PC   |                  |              |
|     | 0USM54         | DRAIN PIPE                           | 114040017                    | 1PC   |                  |              |

REV  
10.14.2020