

36-Inch Built-In French Door Refrigerator with SteelCool™



DRF367500AP/DA — Panel ready

Features & Benefits

- SteelCool™ full stainless steel interior
- LED 3D Lighting
- FreshZone™ drawer
- Dual Icemaker with Cocktail Ice™
- Hidden Touch Control Panel with SmartThings Wi-Fi control
- Internal water dispenser
- R600a refrigerant
- Panel ready

Weights & Dimensions

NET WEIGHT (LBS)	562
SHIPPING WEIGHT (LBS)	625
PRODUCT DIMENSIONS (W X H X D IN INCHES)	35 3/4 x 83 3/8 x 25
FLUSH CUTOUT REQUIRED (W X H X D IN INCHES)	36 x 84 x 25

Technical Details

ELECTRICAL REQUIREMENTS	115V, 60 Hz, 15A
--------------------------------	------------------

Warranty

FULL COVERAGE	2 years
SEALED SYSTEM, PARTS & LABOR	6 years
SEALED SYSTEM, PARTS ONLY (COMPRESSOR INCLUDED)	10 years

Controls

CONTROL TYPE	Easy reach hidden Glass-Touch
WI-FI + SMARTTHINGS	Yes
SABBATH MODE	Yes

Features

TOTAL CAPACITY (CU. FT.)	21.3
PUSH-TO-OPEN	No
WATER DISPENSER	Internal water dispenser
ICEMAKER	Dual Icemaker with Cocktail Ice™
IQ REMOTE VIEW™ CAMERA	No
DEODORIZING FILTER	Yes
LED LIGHTING	3D Lighting
INTERIOR MATERIAL	SteelCool™ (Full stainless steel walls)
DIGITAL INVERTER COMPRESSOR	Yes
REFRIGERANT	R600a
CRISPER DRAWERS	2
FREEZER DRAWERS	2
DOOR BINS	6
SHELVES	2 x full width, 2 x adjustable
DOOR ALARM	Yes

Refrigerator

REFRIGERATOR CAPACITY (CU. FT.)	14.5
REFRIGERATOR TEMPERATURE	34°F to 44°F
FRESHZONE™ DRAWER TEMPERATURE	29°F, 33°F, 37°F
POWER COOL	Yes
FRESHZONE™ DRAWER	Yes

Freezer

FREEZER CAPACITY (CU. FT.)	6.8
FREEZER TEMPERATURE	-8°F to 5°F
POWER FREEZE	Yes

Accessories (Optional)

Please see page 16 of Reference Guide for a full list of accessories

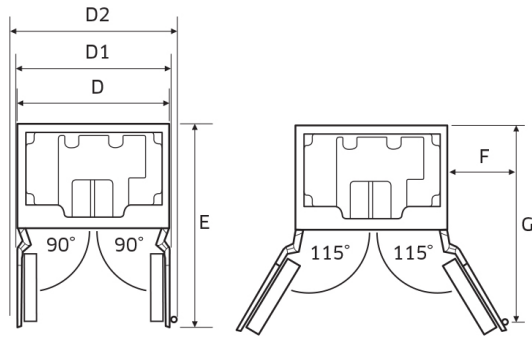
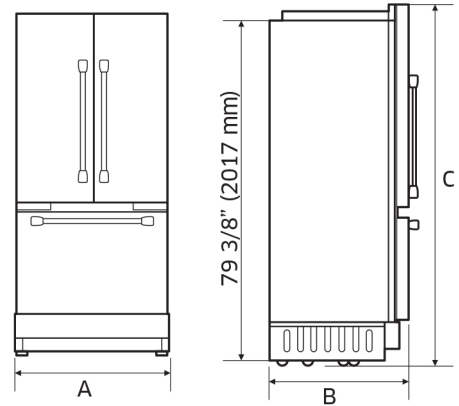
RAF36AMAASR/DA	36" 3-Door Built-In French Door Refrigerator panel kit, Silver Stainless
RAF36AMAAMS/DA	36" 3-Door Built-In French Door Refrigerator panel kit, Graphite Stainless
RAC00WFAAAA/DA	Water filter for refrigeration
RAC00DFAAAA/DA	Air filter for refrigeration DRF/DRR/DRW, set of 6

36-Inch Built-In French Door Refrigerator with SteelCool™



Product Dimensions

A - WIDTH (IN/MM)	35 3/4 / 908
B - WITH PANEL (IN/MM)	25 / 635
B1 - WITHOUT PANEL (IN/MM)	23 13/16 / 605
C - HEIGHT (IN/MM)	83 3/8 / 2118
D - (IN/MM)	35 5/8 / 905
D1 - WITH PANEL (IN/MM)	38 1/16 / 967
D2 - WITH MODERNIST HANDLE (IN/MM)	43 19/32 / 1107
E - (IN/MM)	44 7/8 / 1140
F - (IN/MM)	20 9/16 / 496
G - (IN/MM)	44 / 1118



Installation Cutout Dimensions

A - WIDTH (IN/MM)	36 / 914
B - DEPTH (IN/MM)	25 / 635
C - HEIGHT (IN/MM)	84 / 2134
D - (IN/MM)	26 / 660
E - (IN/MM)	80 / 2032

