

# ELECTRIC COOKTOP INSTALLATION INSTRUCTIONS

## INSTRUCTIONS D'INSTALLATION DE LA TABLE DE CUISSON ÉLECTRIQUE

---

### Table of Contents/Table des matières

<b>COOKTOP SAFETY</b> .....	2	<b>SÉCURITÉ DE LA TABLE DE CUISSON</b> .....	10
<b>INSTALLATION REQUIREMENTS</b> .....	2	<b>EXIGENCES D'INSTALLATION</b> .....	10
Tools and Parts.....	2	Outils et pièces.....	10
Location Requirements .....	2	Exigences d'emplacement.....	10
Electrical Requirements .....	4	Spécifications électriques .....	12
<b>INSTALLATION INSTRUCTIONS</b> .....	5	<b>INSTRUCTIONS D'INSTALLATION</b> .....	14
Prepare Cooktop for Installation .....	5	Préparation de la table de cuisson pour l'installation.....	14
Install Cooktop .....	5	Installation de la table de cuisson.....	14
Make Electrical Connection .....	7	Raccordement électrique.....	16
Attach Cooktop to Countertop .....	9	Fixation de la table de cuisson au plan de travail.....	18
Complete Installation .....	9	Achever l'installation .....	18

---

#### **IMPORTANT:**

Save for local electrical inspector's use.

#### **IMPORTANT :**

À conserver pour consultation par l'inspecteur local des installations électriques.

# COOKTOP SAFETY

## Your safety and the safety of others are very important.

We have provided many important safety messages in this manual and on your appliance. Always read and obey all safety messages.



This is the safety alert symbol.

This symbol alerts you to potential hazards that can kill or hurt you and others.

All safety messages will follow the safety alert symbol and either the word "DANGER" or "WARNING."

These words mean:

**⚠ DANGER**

**You can be killed or seriously injured if you don't immediately follow instructions.**

**⚠ WARNING**

**You can be killed or seriously injured if you don't follow instructions.**

All safety messages will tell you what the potential hazard is, tell you how to reduce the chance of injury, and tell you what can happen if the instructions are not followed.

## INSTALLATION REQUIREMENTS

### Tools and Parts

Gather the required tools and parts before starting installation. Read and follow the instructions provided with any tools listed here.

#### Tools needed

- Tape measure
- Marker or pencil
- 1/4" (6.35 mm) cnut driver
- Pliers
- Flat-blade screwdriver

#### Parts supplied

- Foam strip roll
- 2 1/2" (6.4 cm) clamping
- Clamping brackets (2)
- screws (2)

#### Parts needed

- A UL listed or CSA approved connector for 1/2" (1.3 cm) diameter conduit
- UL listed wire connectors

Check local codes. Check existing electrical supply. See the "Electrical Requirements" section.

It is recommended that all electrical connections be made by a licensed, qualified electrical installer.

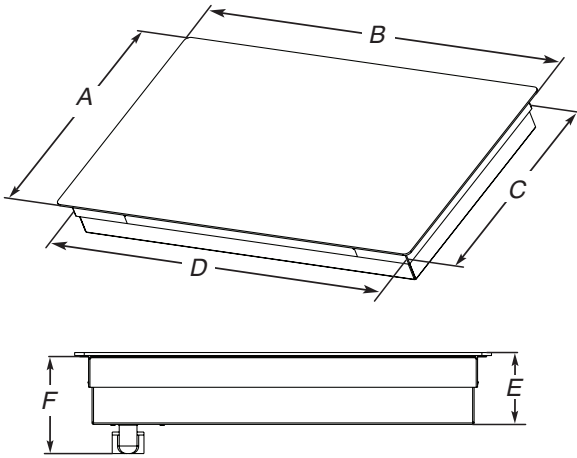
### Location Requirements

**IMPORTANT:** Observe all governing codes and ordinances. When installing cooktop, use minimum dimensions given.

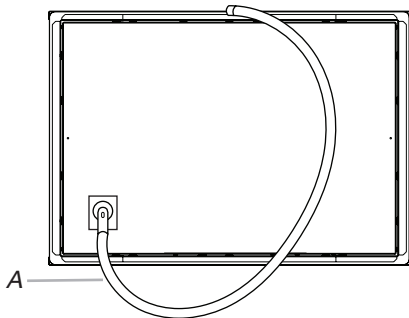
- To eliminate the risk of burns or fire by reaching over the heated surface units, cabinet storage space located above the surface units should be avoided. If cabinet storage is to be provided, the risk can be reduced by installing a range hood that projects horizontally a minimum of 5" (12.7 cm) beyond the bottom of the cabinets.
- The cooktop must be a specified cooktop that is approved to be installed either alone or over an undercounter built-in oven. Check the cooktop base for an approved installation label. If you do not find this label, contact your dealer to confirm that your cooktop is approved.
- The cooktop must be installed in a level countertop.
- Ovens approved for this type of installation will have an approval label located on the top of the oven. If you do not find this label, contact your dealer to confirm that your oven is approved. Refer to oven manufacturer's Installation Instructions for approval for built-in undercounter use and proper cutout dimensions.
- The cooktop should be installed away from strong draft areas, such as windows, doors, fans or strong heating vents. The cooktop should be located for convenient use in the kitchen.
- Use the countertop opening dimensions that are given with these Installation Instructions. Given dimensions are minimum clearances and provide 0" (0 cm) clearance.
- Grounded electrical supply is required. See "Electrical Requirements" section.

**IMPORTANT:** To avoid damage to your cabinets, check with your builder or cabinet supplier to make sure that the materials used will not discolor, delaminate, or sustain other damage.

## Product Dimensions



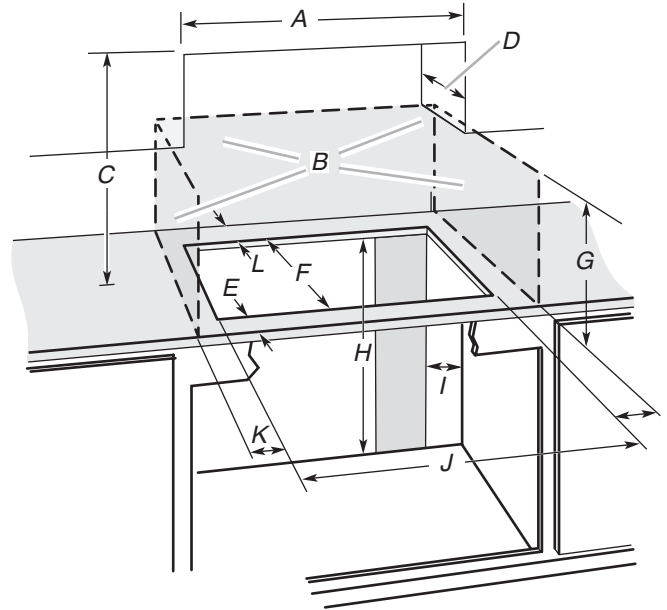
- A. Glass depth - black and white models - 21 <sup>3</sup>/<sub>4</sub>" (55.2 cm)  
Glass depth - stainless steel models - 22 <sup>1</sup>/<sub>8</sub>" (56.4 cm)
- B. Glass width - 24" (60.9 cm) models - 23 <sup>13</sup>/<sub>16</sub>" (60.5 cm)  
Glass width - 30" (76.2 cm) models - 30 <sup>13</sup>/<sub>16</sub>" (78.4 cm)  
Glass width - 36" (91.4 cm) models - 36 <sup>5</sup>/<sub>16</sub>" (92.3 cm)
- C. Frame depth - 20 <sup>5</sup>/<sub>16</sub>" (51.6 cm)
- D. Frame width - 24" (60.9 cm) models - 21 <sup>59</sup>/<sub>64</sub>" (55.7 cm)  
Frame width - 30" (76.2 cm) models - 29" (73.7 cm)  
Frame width - 36" (91.4 cm) models - 34 <sup>7</sup>/<sub>16</sub>" (87.5 cm)
- E. Cooktop height with bottom heat shield - 3 <sup>7</sup>/<sub>8</sub>" (9.8 cm)  
Cooktop height lighted knobs - 4 <sup>15</sup>/<sub>16</sub>" (12.55 cm)
- F. Cooktop height including conduit (located at rear of cooktop, right side) - 5" (12.7 cm)  
Cooktop height lighted knobs, including conduit (located at rear of cooktop, right side) - 6 <sup>1</sup>/<sub>16</sub>" (15.4 cm)



- A. Location of Power Cord (length of power cord is 48" (121.9 cm), including the conduit)

## Cabinet Dimensions

**IMPORTANT:** If installing a range hood or microwave hood combination above cooking surface, follow the range hood or microwave hood combination installation instructions for dimensional clearances above the cooktop surface.



- A. 24" (60.9 cm) on 24" models; 30" (76.2 cm) on 30" models; 36" (91.4 cm) on 36" models
- B. Combustible area above countertop (shown by dashed box above)
- C. 30" (76.2 cm) minimum clearance between top of cooktop platform and bottom of uncovered wood or metal cabinet (24" [61 cm] minimum clearance if bottom of wood or metal cabinet is covered by not less than <sup>1</sup>/<sub>4</sub>" [0.6 cm] flame retardant millboard covered with not less than No. 28 MSG sheet steel, 0.015" [0.04 cm] stainless steel, or 0.024" [0.06 cm] aluminum or 0.020" [0.05 cm] copper)
- D. 13" (33 cm) recommended upper cabinet depth
- E. 2" (5.1 cm)
- F. 20 <sup>1</sup>/<sub>2</sub>" (52.0 cm) recommended cutout.  
Will fit in cutout from 20 <sup>9</sup>/<sub>16</sub>" - 20 <sup>9</sup>/<sub>16</sub>" (51.8-52.2 cm).
- G. 18" (45.7 cm) minimum clearance from upper cabinet to countertop within minimum horizontal clearances to cooktop
- H. Junction box or outlet: 7" (17.8 cm) minimum from top of countertop
- I. Junction box or outlet: 9" (23.0 cm) maximum from right side of cabinet
- J. 29 <sup>1</sup>/<sub>2</sub>" (74.9 cm) recommended cutout on 30" (76.2 cm) models.  
Will fit in cutout from 29 <sup>1</sup>/<sub>16</sub>" - 29 <sup>9</sup>/<sub>16</sub>" (73.8-75.1 cm) on 30" (76.2 cm) models.  
35 <sup>1</sup>/<sub>2</sub>" (90.2 cm) recommended cutout on 36" (91.4 cm) models.  
Will fit in cutout from 34 <sup>9</sup>/<sub>16</sub>" - 35 <sup>9</sup>/<sub>16</sub>" (87.8-90.3 cm) on 36" (91.4 cm) models.  
22 <sup>5</sup>/<sub>16</sub>" (56.67 cm) recommended cutout on 24" (61.0 cm) models.  
Will fit in cutout from 22 <sup>1</sup>/<sub>4</sub>" - 22 <sup>3</sup>/<sub>7</sub>" (56.4 - 57.0 cm) on 24 (61.0 cm) models.
- K. 2 <sup>1</sup>/<sub>2</sub>" (6.35 cm) minimum distance to nearest left and right side combustible surface above cooktop
- L. 1 <sup>1</sup>/<sub>2</sub>" (3.81 cm) minimum clearance between back wall and countertop

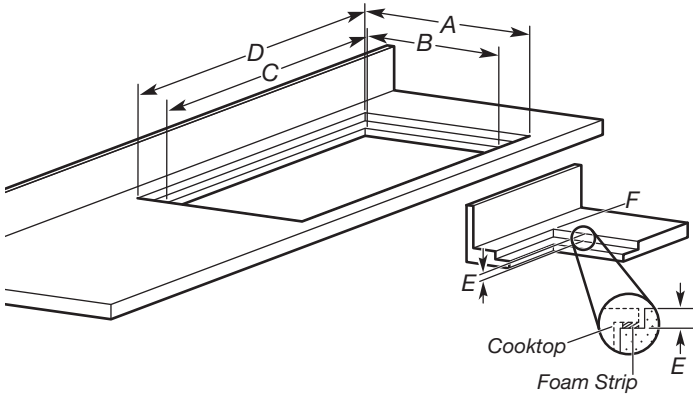
**NOTES:** After making the countertop cutout, some installations may require notching down the base cabinet side walls to clear the cooktop base. To avoid this modification, use a base cabinet with sidewalls wider than the cutout.

If cabinet has a drawer, a 5 <sup>1</sup>/<sub>2</sub>" (14.0 cm) depth clearance from the top of the countertop to the top of the drawer (or other obstruction) in base cabinet is required.

## Flush Installation Dimensions

All cooktops can be mounted with a frameless standard installation sitting on top of the countertop surface or flush with the top of the countertop. If the cooktop is to be mounted flush with the countertop, an 11/64" (4.3 mm) - deep recessed area surrounding the cooktop cutout must be provided with the following dimensions.

**NOTE:** This option is not recommended for countertops with a molded backsplash. Do not silicone seal in place.



- A. Recessed area depth - 21<sup>1</sup>/<sub>16</sub>" (55.4 cm)
- B. Cutout depth - 20<sup>1</sup>/<sub>2</sub>" (52.0 cm)
- C. 29<sup>1</sup>/<sub>2</sub>" (74.9 cm) recommended cutout on 30" (76.2 cm) models.  
35<sup>1</sup>/<sub>2</sub>" (90.2 cm) recommended cutout on 36" (91.4 cm) models.  
22<sup>5</sup>/<sub>16</sub>" (56.7 cm) recommended cutout on 24" (61.0 cm) models.
- D. 30<sup>15</sup>/<sub>16</sub>" (78.6 cm) recommended cutout on 30" (76.2 cm) models.  
36<sup>7</sup>/<sub>16</sub>" (92.5 cm) recommended cutout on 36" (91.4 cm) models.  
23<sup>15</sup>/<sub>16</sub>" (60.7 cm) recommended cutout on 24" (61.0 cm) models.
- E. Recessed area depth 11/64" (4.3 mm)
- F. Recessed area radius 5/64" (2.0 mm) maximum

## Electrical Requirements

### ⚠ WARNING



#### Electrical Shock Hazard

**Disconnect power before servicing.**

**Use 8 gauge copper wire.**

**Electrically ground cooktop.**

**Failure to follow these instructions can result in death, fire, or electrical shock.**

If codes permit and a separate ground wire is used, it is recommended that a qualified electrical installer determine that the ground path and wire gauge are in accordance with local codes.

Check with a qualified electrical installer if you are not sure the cooktop is properly grounded.

Make sure that the electrical connection and wire size are adequate and in conformance with the National Electrical Code, ANSI/NFPA 70-latest edition or CSA Standards C22.1-94, Canadian Electrical Code, Part 1 and C22.2 No. 0-M91-latest edition, and all local codes and ordinances.

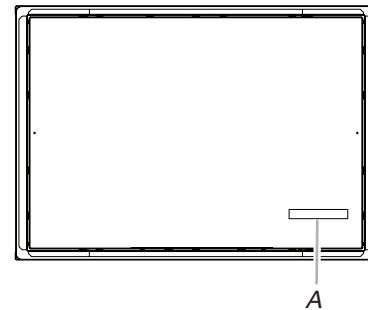
A copy of the above code standards can be obtained from:

National Fire Protection Association  
1 Batterymarch Park  
Quincy, MA 02169-7471  
CSA International  
8501 East Pleasant Valley Road  
Cleveland, OH 44131-5575

### Before You Make the Electrical Connection:

To properly install your cooktop, you must determine the type of electrical connection you will be using and follow the instructions provided for it here.

Use a 3-wire or 4-wire, single phase, 120/208 V or 120/240 V, 60 Hz, AC only. The model/serial number rating plate is located on the metal cabinet underneath the cooktop. See the following illustration.



A. Model/serial number plate

- The cooktop is rated for 120/208 V or 120/240 V. Some models have a neutral (white) wire.

For power requirements, refer to the following table:

Family Model Number	Electrical Ratings at 60 Hz	
	208 V~	240 V~
JEC3430H	6.4 kW	8.5 kW
JEC3536H	7.9 kW	10.5 kW
JEC4424H	5.5kW	7.3 kW
JEC4430H	7.2 kW	9.6 kW
JEC4536H	7.2 kW	9.6 kW

- The cooktop should be connected directly to the junction box through flexible, armored or nonmetallic sheathed, copper cable. The flexible, armored cable extending from the fuse box or circuit breaker box should be connected directly to the junction box.
- Locate the junction box to allow as much slack as possible between the junction box and the cooktop so that the cooktop can be moved if servicing becomes necessary in the future.
- Do not cut the conduit. Use the length of conduit provided.
- A UL listed or CSA approved conduit connector must be provided at each end of the power supply cable (at the cooktop and at the junction box). A listed conduit connector is already provided at the cooktop.
- If the house has aluminum wiring follow the procedure below:  
Connect the aluminum wiring using special connectors and/or tools designed and UL listed for joining copper to aluminum.

Follow the electrical connector manufacturer's recommended procedure. Aluminum/copper connection must conform with local codes and industry accepted wiring practices.

# INSTALLATION INSTRUCTIONS

## Prepare Cooktop for Installation

### **⚠ WARNING**

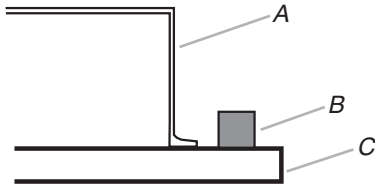
#### **Excessive Weight Hazard**

**Use two or more people to move and install cooktop.**  
**Failure to do so can result in back or other injury.**

Decide on the final location for the cooktop. Avoid drilling into or severing existing wiring during installation.

1. Using 2 or more people, place the cooktop upside down on a covered surface using the foam end posts from the packaging. Make sure that the knobs are not resting on the foam.
2. (Optional) Remove foam strip roll from the package containing literature. The roll contains four  $\frac{1}{4}$ " (0.64 cm) strips of foam. Remove one strip at a time and apply foam strip adhesive-side down around bottom of the cooktop glass.

**NOTE:** The foam strip helps avoid damage to the underside of the cooktop glass from debris and helps the cooktop sit flat on uneven counters.



- A. Cooktop base
- B.  $\frac{1}{4}$ " (0.64 cm) Foam strip
- C. Cooktop

## Install Cooktop

### Style 1: Cooktop over undercounter built-in oven

**IMPORTANT:** Clamping brackets should not be used.

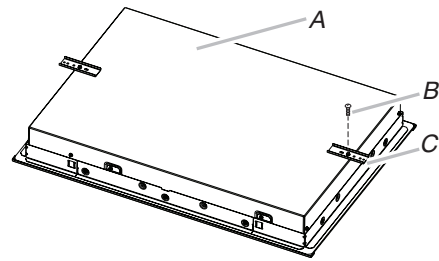
1. Using 2 or more people, place cooktop right side up into the cutout.

**NOTE:** Make sure that the front edge of the cooktop is parallel to the front edge of the countertop. If repositioning is needed, lift entire cooktop up from cutout to avoid scratching the countertop.

### Style 2: Cooktop over cabinets

1. Determine whether your cabinet construction provides clearance for installing clamping brackets at cooktop base ends.

**24" (60.9 cm), 30" (76.2 cm) and 36" (91.4 cm) traditional models**

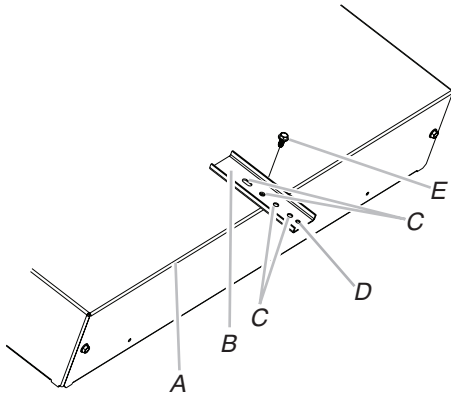


- A. Cooktop base bottom
- B. Attachment screw
- C. Clamping bracket

2. The clamping brackets can be installed before or after the cooktop is placed into the cutout. Complete the following steps for the option you choose.

## Installing Brackets Before Placing Cooktop in Cutout

1. Using 2 or more people, place the cooktop upside down on a covered surface using the foam end posts from the packaging. Make sure that the knobs are not resting on the foam.
2. Remove the attachment screws for the bracket locations from the bottom of the cooktop base.
3. Select bracket mounting holes that will allow the bracket to extend far enough out from the cooktop for the installation of 2½" (6.4 cm) clamping screws. See the "Attach Cooktop to Countertop" section for illustration of clamping screw installation.

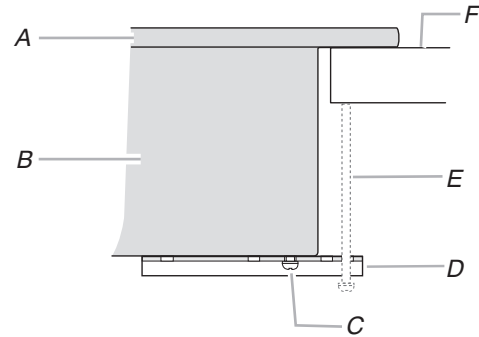


- A. Edge of cooktop base bottom
- B. Clamping bracket
- C. Bracket mounting holes
- D. Bracket clamping hole
- E. Attachment screw

4. Attach brackets to cooktop base bottom with bracket attachment screws using the bracket mounting holes selected in Step 3.
5. Rotate brackets so they do not extend beyond edge of cooktop base.
6. Tighten attachment screws enough to hold brackets in place when cooktop is placed in cutout.
7. Using 2 or more people, turn the cooktop right side up and place in cutout.  
**NOTE:** Make sure that the front edge of the cooktop is parallel to the front edge of the countertop. If repositioning is needed, lift entire cooktop up from cutout to avoid scratching the countertop.
8. Loosen the screws and rotate the brackets so that they are perpendicular to the edge of the cooktop base and extend beyond its edge. Securely tighten screws.

## Installing Brackets After Placing Cooktop in Cutout

1. Using 2 or more people, place cooktop right side up into the cutout.  
**NOTE:** Make sure that the front edge of the cooktop is parallel to the front edge of the countertop. If repositioning is needed, lift entire cooktop up from cutout to avoid scratching the countertop.
2. Remove the attachment screws for the selected bracket locations from the bottom of the cooktop base.
3. Select bracket mounting holes that will allow the bracket to extend far enough out from the cooktop for the installation of 2½" (6.4 cm) clamping screws.



- A. Cooktop
- B. Cooktop base
- C. Attachment screw
- D. Clamping bracket (extends far enough beyond cooktop base to allow installation of clamping screws)
- E. 2½" (6.4 cm) clamping screw (to be installed in "Attach Cooktop to Countertop")
- F. Countertop

4. Attach brackets to cooktop base bottom with bracket attachment screws using the bracket mounting holes selected in Step 3. Securely tighten screws.

## Make Electrical Connection

### ⚠️ WARNING



#### Electrical Shock Hazard

**Disconnect power before servicing.**

**Use 8 gauge copper wire.**

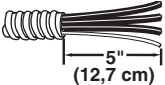
**Electrically ground cooktop.**

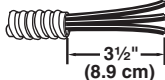
**Failure to follow these instructions can result in death, fire, or electrical shock.**

This cooktop is manufactured with a frame connected, green or bare ground wire. Connect the cooktop cable to the junction box through the UL listed or CSA approved conduit connector.

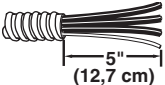
#### Electrical Connection Options

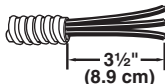
##### For cooktops with a 4-wire cable

If your home has:	And you will be connecting to:	Go to Section:
4-wire direct 	A fused disconnect or circuit breaker box	4-Wire Cable from Power Supply to 4-Wire Cable from Cooktop

3-wire direct 	A fused disconnect or circuit breaker box	3-Wire Cable from Power Supply to 4-Wire Cable from Cooktop
--	---	---

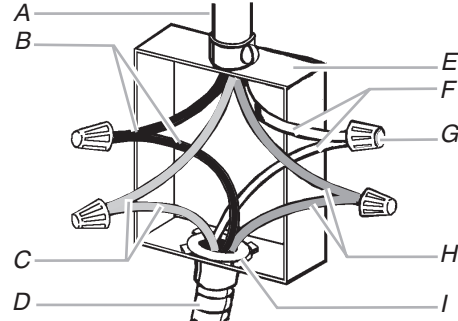
##### For cooktops with a 3-wire cable:

If your home has:	And you will be connecting to:	Go to Section:
4-wire direct 	A fused disconnect or circuit breaker box	4-Wire Cable from Power Supply to 3-Wire Cable from Cooktop

3-wire direct 	A fused disconnect or circuit breaker box	3-Wire Cable from Power Supply to 3-Wire Cable from Cooktop
--	---	---

#### 4-Wire Cable from Power Supply to 4-Wire Cable from Cooktop

**IMPORTANT:** Use the 4-wire cable from power supply where local codes do not permit connecting the frame-ground conductor to the neutral (white) junction box wire.

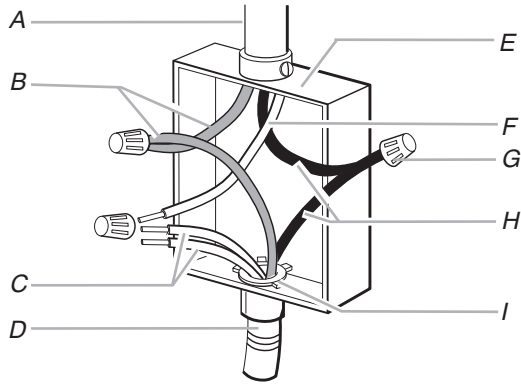


- A. 4-wire cable from power supply
- B. Black wires
- C. Bare or green wires
- D. 4-wire cable from cooktop
- E. Junction box
- F. White wires
- G. UL listed wire connector
- H. Red wires
- I. UL listed or CSA approved conduit connector

1. Disconnect power.
2. Remove junction box cover, if present.
3. Connect the flexible cable conduit from the cooktop to the junction box using a UL listed or CSA approved connector for 1/2" (1.3 cm) conduit.
4. Tighten screws on conduit connector if present.
5. Connect the two black wires together using the UL listed wire connectors.
6. Connect the two red wires together using the UL listed wire connectors.
7. Connect the two white wires together using the UL listed wire connectors.
8. Connect the green or bare ground wire from the cooktop cable to the green or bare ground wire (in the junction box) using the UL listed wire connectors.
9. Install junction box cover.
10. Reconnect power.

### 3-Wire Cable from Power Supply to 4-Wire Cable from Cooktop

**IMPORTANT:** Use the 3-wire cable from power supply where local codes permit connecting the frame-ground conductor to the neutral (white) junction box wire:

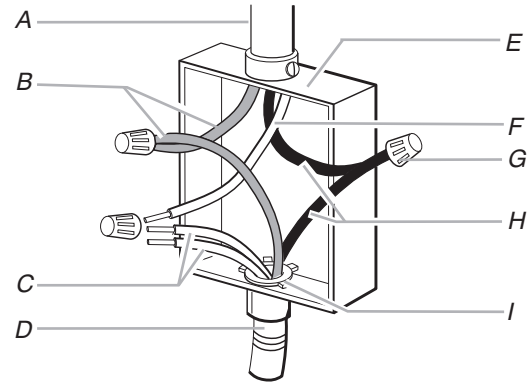


- |  |  |
|--|--|
| A. 3-wire cable from power supply                      | F. White wire (from power supply)              |
| B. Red wires   | G. UL listed wire connector                    |
| C. White and green or bare ground wires (from cooktop) | H. Black wires                                 |
| D. 4-wire cable from cooktop                           | I. UL listed or CSA approved conduit connector |
| E. Junction box  |  |

1. Disconnect power.
2. Remove junction box cover, if present.
3. Connect the flexible, cable conduit from the cooktop to the junction box using UL listed or CSA approved conduit connector.
4. Tighten screws on conduit connector if present.
5. Connect the two black wires together using the UL listed wire connectors.
6. Connect the two red wires together using the UL listed wire connectors.
7. Connect the green or bare and white cooktop cable wires to the white (neutral) wire in the junction box using the UL listed wire connectors.
8. Connect the green or bare ground wire from the cooktop cable to the green or bare ground wire (in the junction box) using the UL listed wire connectors.
9. Install junction box cover.
10. Reconnect power.

### 4-Wire Cable from Power Supply to 3-Wire Cable from Cooktop

**IMPORTANT:** Use the 4-wire cable from power supply where local codes do not permit connecting the frame-ground conductor to the neutral (white) junction box wire:



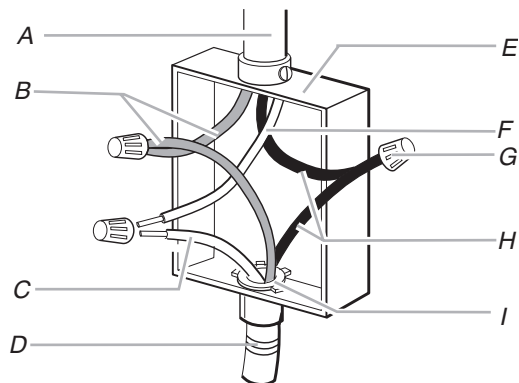
- |   |  |
|---|--|
| A. 4-wire cable from power supply           | F. White wire (from power supply)              |
| B. Red wires                                | G. UL listed wire connector                    |
| C. Green or bare ground wire (from cooktop) | H. Black wires                                 |
| D. 3-wire cable from cooktop                | I. UL listed or CSA approved conduit connector |
| E. Junction box                             |  |

1. Disconnect power.
  2. Remove junction box cover, if present.
  3. Connect the flexible cable conduit from the cooktop to the junction box using a UL listed or CSA approved conduit connector.
  4. Tighten screws on conduit connector if present.
  5. Connect the two black wires together using the UL listed wire connectors.
  6. Connect the two red wires together using the UL listed wire connectors.
  7. Connect the green or bare ground wire from the cooktop cable to the green or bare ground wire (in the junction box) using the UL listed wire connectors.
  8. Put a UL listed wire connector on the end of the white wire.
- NOTE:** Do not connect the bare ground wire to the neutral (white) wire in the junction box.
9. Install junction box cover.
  10. Reconnect power.



## 3-Wire Cable from Power Supply to 3-Wire Cable from Cooktop

**IMPORTANT:** Use the 3-wire cable from power supply where local codes permit connecting the frame-ground conductor to the neutral (white) junction box wire:

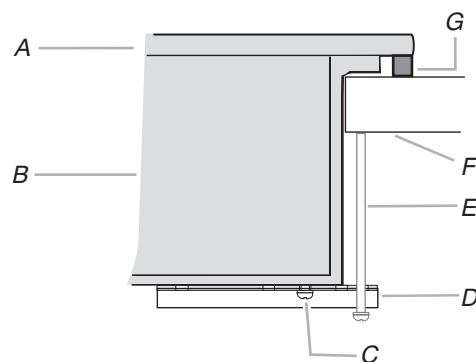


- |   |  |
|---|--|
| A. 3-wire cable from power supply           | E. Junction box                                |
| B. Red wires                                | F. White wire (from power supply)              |
| C. Green or bare ground wire (from cooktop) | G. UL listed wire connector                    |
| D. 3-wire cable from cooktop                | H. Black wires                                 |
|   | I. UL listed or CSA approved conduit connector |

1. Disconnect power.
2. Remove junction box cover, if present.
3. Connect the flexible cable conduit from the cooktop to the junction box using a UL listed or CSA approved conduit connector.
4. Tighten screws on conduit connector if present.
5. Connect the two black wires together using the UL listed wire connectors.
6. Connect the two red wires together using the UL listed wire connectors.
7. Connect the green or bare cooktop cable wires to the white (neutral) wire in the junction box using the UL listed wire connectors.
8. Install junction box cover.
9. Reconnect power.

## Attach Cooktop to Countertop

**NOTE:** This section applies only if you are using clamping brackets.



- |   |                                |
|---|--------------------------------|
| A. Glass cooktop  | E. 2½" (6.4 cm) clamping screw |
| B. Cooktop base   | F. Countertop                  |
| C. Attachment screw   | G. Foam seal                   |
| D. Clamping bracket (extends far enough beyond cooktop base to allow installation of clamping screws) |                                |

1. Place the 2½" (6.4 cm) clamping screws into the outermost hole in the clamping bracket.
2. Use a screwdriver to tighten the screws against the countertop. Do not overtighten.

## Complete Installation

1. Check that all parts are now installed. If there is an extra part, go back through the steps to see which step was skipped.
2. Check that you have all your tools.
3. Dispose of/recycle all packaging materials.
4. Use a mild solution of liquid household cleaner and warm water to clean cooktop before use. Dry thoroughly with a soft cloth. For more information, see the "Cooktop Care" section of the Use and Care Guide.
5. Read the "Cooktop Use" section in the cooktop Use and Care Guide.
6. Reconnect power.
7. For further information about the product, read the User Instructions.

**NOTE:** If the cooktop does not work after turning on the power, check that a circuit breaker has not tripped or a household fuse has not blown. See "Troubleshooting" section in the Use and Care Guide for further information.

### If You Need Assistance or Service:

Please reference the "Assistance or Service" section of the Use and Care Guide or contact the dealer from whom you purchased your cooktop.

# SÉCURITÉ DE LA TABLE DE CUISSON

## Votre sécurité et celle des autres est très importante.

Nous donnons de nombreux messages de sécurité importants dans ce manuel et sur votre appareil ménager. Assurez-vous de toujours lire tous les messages de sécurité et de vous y conformer.



Voici le symbole d'alerte de sécurité.

Ce symbole d'alerte de sécurité vous signale les dangers potentiels de décès et de blessures graves à vous et à d'autres.

Tous les messages de sécurité suivront le symbole d'alerte de sécurité et le mot "DANGER" ou "AVERTISSEMENT". Ces mots signifient :

**⚠ DANGER**

**Risque possible de décès ou de blessure grave si vous ne suivez pas immédiatement les instructions.**

**⚠ AVERTISSEMENT**

**Risque possible de décès ou de blessure grave si vous ne suivez pas les instructions.**

Tous les messages de sécurité vous diront quel est le danger potentiel et vous disent comment réduire le risque de blessure et ce qui peut se produire en cas de non-respect des instructions.

## EXIGENCES D'INSTALLATION

### Outils et pièces

Rassembler les outils et pièces nécessaires avant d'entreprendre l'installation. Lire et observer les instructions fournies avec chacun des outils de la liste ci-dessous.

#### Outils nécessaires

- Mètre-ruban
- Marqueur ou crayon
- Tourne-écrou de 1/4" (6,35 mm)
- Pince
- Tournevis à lame plate

#### Pièces fournies

- Rouleau de bandes de mousse
- 2 vis de fixation de 2 1/2" (6,4 cm)
- 2 brides de fixation

#### Pièces nécessaires

- Un connecteur homologué UL ou CSA pour conduit d'un diamètre de 1/2" (1,3 cm)
- Connecteurs de fils (homologation UL)

Consulter les codes locaux. Vérifier l'alimentation électrique existante. Voir la section "Spécifications électriques".

Il est recommandé de faire réaliser tous les raccordements électriques par un électricien qualifié agréé.

### Exigences d'emplacement

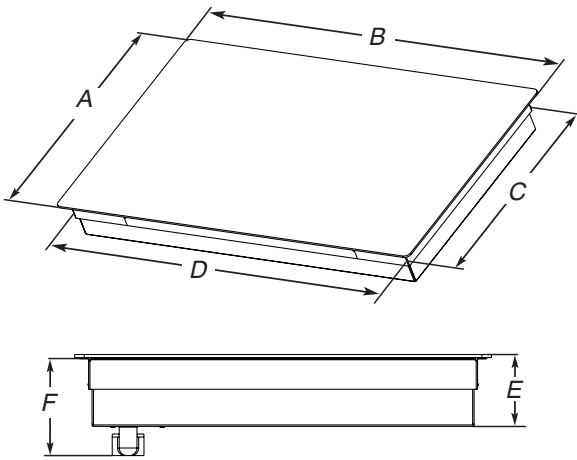
**IMPORTANT :** Observer les dispositions de tous les codes et règlements en vigueur. Lors de l'installation de la table de cuisson, utiliser les dimensions minimales indiquées.

- Afin de supprimer le risque de brûlures ou d'incendie en se penchant au-dessus des unités de surface chauffées, le rangement en armoire au-dessus des unités de surface doit être évité. Si des placards de rangement sont envisagés, le risque peut être réduit par l'installation d'une hotte de cuisine dépassant le bas des placards d'au moins 5" (12,7 cm) horizontalement.

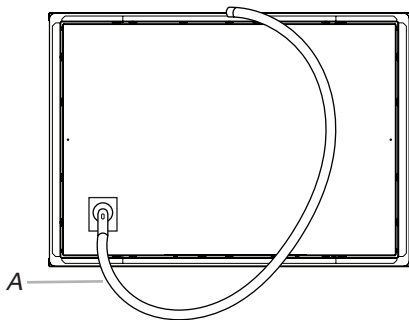
- La table de cuisson doit être une table de cuisson spécifiée, et doit être approuvée pour une installation seule ou sur un four encastré sous comptoir. Vérifier que la base de la table de cuisson comporte une étiquette d'installation approuvée. Si vous ne trouvez pas cette étiquette, contactez votre vendeur pour confirmer que la table de cuisson est bien approuvée.
- La table de cuisson doit être installée dans un plan de travail qui soit d'aplomb.
- Les fours approuvés pour ce type d'installation comportent une étiquette d'approbation située sur le dessus du four. Si vous ne trouvez pas cette étiquette, contactez votre marchand pour confirmer que le four est bien approuvé. Consulter les Instructions d'installation du fabricant du four pour déterminer si l'utilisation en encastré est approuvée et pour obtenir les dimensions correctes de l'ouverture.
- La table de cuisson doit être installée à l'écart des zones de forts courants d'air, telles que fenêtres, portes et événements ou ventilateurs de chauffage puissants. La table de cuisson doit être installée à un endroit pratique dans la cuisine.
- Utiliser les dimensions d'ouverture du plan de travail qui sont indiquées dans ces Instructions d'installation. Les dimensions données sont les espacements minimaux et fournissent un dégagement de 0" (0 cm).
- Une source d'électricité avec liaison à la terre est nécessaire. Voir la section "Spécifications électriques".

**IMPORTANT :** Pour éviter tout dommage, consulter le constructeur de la maison ou le fournisseur de placards pour déterminer si les matériaux utilisés peuvent subir un changement de couleur, une déstratification ou autres dommages.

## Dimensions du produit



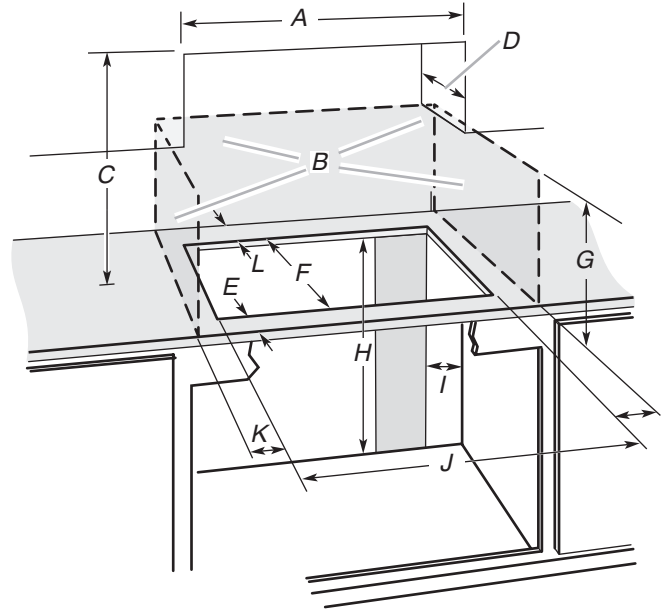
- A. Profondeur de la vitrocéramique – modèles noir et blanc – 21 <sup>3</sup>/<sub>4</sub>" (55,2 cm)  
 Profondeur de la vitrocéramique – modèles en acier inoxydable – 22 <sup>1</sup>/<sub>8</sub>" (56,4 cm)
- B. Largeur de la vitrocéramique – modèles de 24" (60,9 cm) – 23 <sup>13</sup>/<sub>16</sub>" (60,5 cm)  
 Largeur de la vitrocéramique – modèles de 30" (76,2 cm) – 30 <sup>7</sup>/<sub>16</sub>" (78,4 cm)  
 Largeur de la vitrocéramique – modèles de 36" (91,4 cm) – 36 <sup>5</sup>/<sub>16</sub>" (92,3 cm)
- C. Profondeur du cadre – 20 <sup>5</sup>/<sub>16</sub>" (51,6 cm)
- D. Largeur du cadre – modèles de 24" (60,9 cm) – 21 <sup>59</sup>/<sub>64</sub>" (55,7 cm)  
 Largeur du cadre – modèles de 30" (76,2 cm) – 29" (73,7 cm)  
 Largeur du cadre – modèles de 36" (91,4 cm) – 34 <sup>7</sup>/<sub>16</sub>" (87,5 cm)
- E. Hauteur de la table de cuisson avec écran thermique inférieur – 3 <sup>7</sup>/<sub>8</sub>" (9,8 cm)  
 Hauteur de la table de cuisson avec boutons illuminés – 4 <sup>15</sup>/<sub>16</sub>" (12,55 cm)
- F. Hauteur de la table de cuisson y compris le conduit (situé à l'arrière de la table de cuisson, côté droit) – 5" (12,7 cm)  
 Hauteur de la table de cuisson avec boutons illuminés, y compris le conduit (situé à l'arrière de la table de cuisson, côté droit) – modèles de 6 <sup>1</sup>/<sub>16</sub>" (15,4 cm)



- A. Emplacement du cordon d'alimentation (la longueur du cordon d'alimentation est de 48 po [121,9 cm] incluant le conduit)

## Dimensions du placard

**IMPORTANT :** Si une hotte ou un ensemble hotte/four à micro-ondes est installé au-dessus de la surface de cuisson, suivre les instructions d'installation fournies avec la hotte ou l'ensemble hotte/four à micro-ondes concernant les dimensions de dégagement à respecter au-dessus de la surface de cuisson.



- A. 24" (60,9 cm) sur les modèles de 24"; 30" (76,2 cm) sur les modèles de 30"; 36" (91,4 cm) sur les modèles de 36"
- B. Zone de matière combustible au-dessus du plan de travail (espace délimité par des lignes pointillées ci-dessus)
- C. Distance minimale de séparation de 30" (76,2 cm) entre le dessus de la table de cuisson et le fond d'une armoire métallique ou de bois non couverte (distance de séparation de 24" [61 cm] ou plus si le fond de l'armoire de métal ou de bois est recouvert d'une plaque d'au moins <sup>1</sup>/<sub>4</sub>" [0,6 cm] de matériau résistant aux flammes, lui-même recouvert d'une feuille métallique d'une épaisseur correspondant à un calibre de 28 au moins pour l'acier, 0,015" [0,04 cm] pour l'acier inoxydable, 0,024" [0,06 cm] pour l'aluminium ou 0,020" [0,05 cm] pour le cuivre)
- D. Profondeur recommandée pour les placards supérieurs : 13" (33 cm)
- E. 2" (5,1 cm)
- F. 20 <sup>1</sup>/<sub>2</sub>" (52,0 cm) recommended cutout.  
 Will fit in cutout from 20 <sup>3</sup>/<sub>8</sub>" - 20 <sup>9</sup>/<sub>16</sub>" (51,8 cm - 52,2 cm).
- G. Distance de séparation minimale de 18" (45,7 cm) entre le placard supérieur et le plan de travail avec distance minimale de séparation horizontale pour la table de cuisson
- H. Boîtier de connexion ou prise : 7" (17,8 cm) minimum à partir du dessus du plan de travail
- I. Boîtier de connexion ou prise : 9" (23 cm) maximum à partir de la droite du placard
- J. 29 <sup>1</sup>/<sub>2</sub>" (74,9 cm) recommandé pour l'ouverture découpée sur les modèles de 30" (76,2 cm). Convient à une ouverture découpée de 29 <sup>1</sup>/<sub>16</sub>" - 29 <sup>9</sup>/<sub>16</sub>" (73,8 - 90,3 cm) sur les modèles de 30" (76,2 cm). 35 <sup>1</sup>/<sub>2</sub>" (90,2 cm) recommandé pour l'ouverture découpée sur les modèles de 36" (91,4 cm). Convient à une ouverture découpée de 34 <sup>9</sup>/<sub>16</sub>" - 35 <sup>9</sup>/<sub>16</sub>" (87,8 - 90,3 cm) sur les modèles de 36" (91,4 cm). 22 <sup>5</sup>/<sub>16</sub>" (56,67 cm) recommandé pour l'ouverture découpée sur les modèles de 24" (61,0 cm). Convient à une ouverture découpée de 22 <sup>1</sup>/<sub>4</sub>" à 22 <sup>3</sup>/<sub>7</sub>" (56,4 cm à 57,0 cm) sur les modèles de 24" (61,0 cm)
- K. Distance de séparation minimale de 2 <sup>1</sup>/<sub>2</sub>" (6,35 cm) par rapport à la surface de matériau combustible la plus proche, à gauche ou à droite au-dessus de la table de cuisson
- L. Distance de séparation minimale de 1 <sup>1</sup>/<sub>2</sub>" (3,81 cm) ou plus entre la paroi arrière et le comptoir

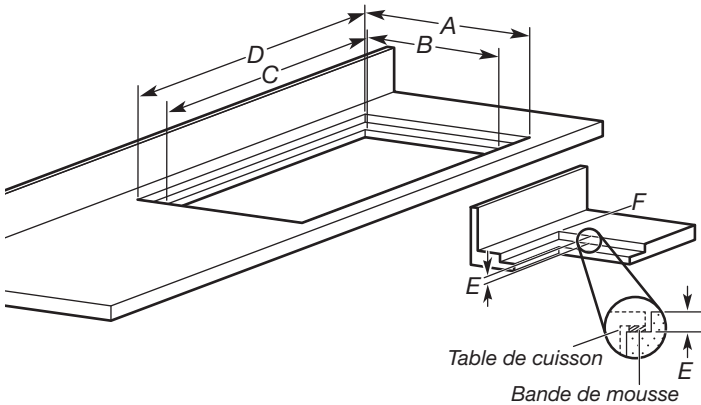
**NOTES:** Après le découpage de l'ouverture dans le plan de travail, il est possible que pour certaines configurations d'installation, il soit nécessaire d'entailler les parois latérales du placard inférieur pour permettre le passage de la base de la table de cuisson. Pour éviter cette modification, utiliser un placard inférieur dont la largeur des parois latérales est supérieure à celle de l'ouverture découpée.

Si le placard comporte un tiroir, on devra ménager une distance de séparation de 5 1/2" (14 cm) dans le sens de la profondeur entre le plan de travail et le sommet du tiroir (ou autre obstruction) à l'intérieur du placard inférieur.

### Dimensions pour un panneau en affleurement

Toutes les tables de cuisson peuvent être montées en utilisant une installation standard sans cadre reposant sur la surface du comptoir ou affleurant avec le dessus du comptoir. Si la table de cuisson doit être montée en affleurant le dessus de comptoir, une zone en retrait de 1 1/64" (4,3 cm) de profondeur entourant la découpe de la table de cuisson doit être fournie selon les dimensions suivantes.

**REMARQUE :** Cette option n'est pas recommandée pour les comptoirs avec dossier moulés. Ne pas sceller en place à l'aide de silicone.



- A. Profondeur de la zone de retrait de 21 11/16 po (55,4 cm)
- B. Profondeur de découpe de 20 1/2 po (52,0 cm)
- C. Ouverture de découpe recommandée de 29 1/2 po (74,9 cm) sur les modèles de 30 po (76,2 cm).  
Ouverture de découpe recommandée de 35 1/2 po (90,2 cm) sur les modèles de 36 po (91,4 cm).  
Ouverture de découpe recommandée de 22 5/16 po (56,7 cm) sur les modèles de 24 po (61,0 cm).
- D. Ouverture de découpe recommandée de 30 15/16 po (78,6 cm) sur les modèles de 30 po (76,2 cm).  
Ouverture de découpe recommandée de 36 7/16 po (92,5 cm) sur les modèles de 36 po (91,4 cm).  
Ouverture de découpe recommandée de 23 15/16 po (60,7 cm) sur les modèles de 24 po (61,0 cm).
- E. Profondeur de la zone de retrait de 11/64 po (4,3 mm)
- F. Profondeur de la découpe de 5/64 po (2,0 mm)

## Spécifications électriques

### ⚠ AVERTISSEMENT



#### Risque de choc électrique

**Déconnecter la source de courant électrique avant l'entretien.**

**Utiliser du fil en cuivre de calibre 8.**

**Relier la table de cuisson à la terre.**

**Le non-respect de ces instructions peut causer un décès, un incendie ou un choc électrique.**

Si l'on utilise un conducteur distinct de liaison à la terre et lorsque les codes le permettent, il est recommandé qu'un électricien qualifié vérifie que la liaison à la terre et la section des fils sont conformes aux codes locaux.

Vérifier avec un électricien qualifié si vous avez des doutes quant à la qualité de la liaison à la terre de la table de cuisson.

S'assurer que la connexion électrique et le calibre des fils sont appropriés et conformes au National Electrical Code, à la norme ANSI/NFPA 70 – dernière édition, ou à la norme CSA C22.1-94, au Code canadien de l'électricité, Partie 1 et C22.2 N° O-M91 – dernière édition, et à tous les codes et règlements locaux.

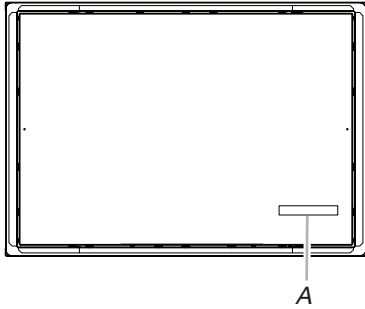
Pour obtenir un exemplaire des normes des codes ci-dessus, contacter

National Fire Protection Association  
1 Batterymarch Park  
Quincy, MA 02169-7471  
CSA International  
8501 East Pleasant Valley Road  
Cleveland, OH 44131-5575

### Avant d'établir la connexion électrique :

Pour installer la table de cuisson correctement, il faut établir le type de raccords électriques que l'on utilisera et suivre les instructions indiquées ici.

- Utiliser un câble une phase à 3 ou 4 fils de 120/208 V ou 120/240 V CA à 60 Hz seulement. La plaque signalétique est située sur le placard métallique, sous la table de cuisson. Voir l'illustration ci-dessous.



A. Plaque signalétique

- La table de cuisson est conçue pour le 120/208 V ou 120/240 V. Certains modèles comportent un conducteur neutre (blanc).

Pour les critères d'alimentation électrique, se reporter au tableau suivant :

Numéro de famille de modèle	Spécifications électriques à 60 Hz	
	208 V~	240 V~
JEC3430H	6,4 kW	8,5 kW
JEC3536H	7,9 kW	10,5 kW
JEC4424H	5,5 kW	7,3 kW
JEC4430H	7,2 kW	9,6 kW
JEC4536H	7,2 kW	9,6 kW

- La table de cuisson doit être raccordée directement au boîtier de connexion par l'intermédiaire d'un câble flexible à conducteur de cuivre (avec blindage ou gaine non métallique). Le câble blindé flexible sortant du boîtier de distribution (fusible ou disjoncteur) doit être raccordé directement au boîtier de connexion.

- Placer le boîtier de connexion pour laisser le plus de jeu possible entre celui-ci et la table de cuisson pour pouvoir déplacer la table de cuisson en cas de besoin de réparation à l'avenir.
- Ne pas couper le conduit. Utiliser toute la longueur du conduit fourni.
- Un connecteur de conduit homologué UL ou CSA doit être fourni à chaque extrémité du câble d'alimentation électrique (à la table de cuisson et au boîtier de connexion). Un connecteur de conduit homologué est déjà fourni à la table de cuisson.
- Si le domicile est équipé d'un câblage en aluminium, suivre les instructions suivantes :

Connecter le câblage en aluminium en utilisant des connecteurs ou des outils spécialement conçus et homologués UL pour raccorder le cuivre à l'aluminium.

Suivre la procédure recommandée par le fabricant de connecteurs électriques. La connexion aluminium/cuivre doit être conforme aux codes locaux et aux pratiques de câblage acceptées par l'industrie.

# INSTRUCTIONS D'INSTALLATION

## Préparation de la table de cuisson pour l'installation

### **AVERTISSEMENT**

#### Risque du poids excessif

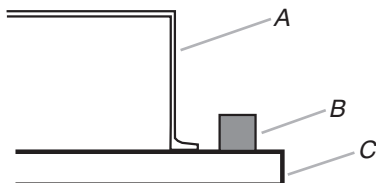
Utiliser deux ou plus de personnes pour déplacer et installer la table de cuisson.

Le non-respect de cette instruction peut causer une blessure au dos ou d'autre blessure.

Déterminer l'emplacement final de la table de cuisson. Éviter de percer dans le câblage existant ou de l'endommager pendant l'installation.

1. À l'aide de deux personnes ou plus, placer la table de cuisson à l'envers sur une surface couverte en utilisant les cornières en polystyrène de l'emballage. S'assurer que les boutons ne reposent pas sur le polystyrène.
2. (Facultatif) Enlever le rouleau de bandes de mousse du sachet de documentation. Ce rouleau contient quatre bandes en mousse de ¼" (0,64 cm). Retirer une bande à la fois et appliquer les bandes de mousse auto-adhésives autour de la partie inférieure du verre de la table de cuisson.

**REMARQUE :** La bande de mousse aide à éviter que la face inférieure du verre de la table de cuisson ne soit endommagée par des débris et aide la table de cuisson à reposer à plat sur des plans de travail irréguliers.



A. Base de la table de cuisson  
B. Bande de mousse de ¼" (0,64 cm)  
C. Table de cuisson

## Installation de la table de cuisson

### Style 1 : Table de cuisson sur four encastré sous comptoir

**IMPORTANT :** Ne pas utiliser de brides de fixation.

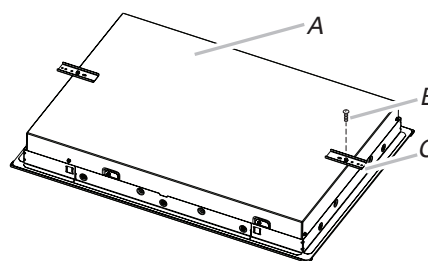
1. À l'aide d'au moins 2 personnes, placer la table de cuisson dans l'ouverture en orientant la bonne surface vers le haut.

**REMARQUE :** S'assurer que le bord avant de la table de cuisson est parallèle au bord avant du plan de travail. S'il est nécessaire de repositionner la table de cuisson, la soulever entièrement de l'ouverture pour éviter de rayer le plan de travail.

### Style 2 : Table de cuisson sur placards

1. Déterminer si l'installation des placards permet le dégagement nécessaire pour l'installation de brides de fixation aux extrémités de la base de la table de cuisson.

**24" (60,9 cm) sur les modèles de 30" (76,2 cm) et de 36" (91,4 cm)**

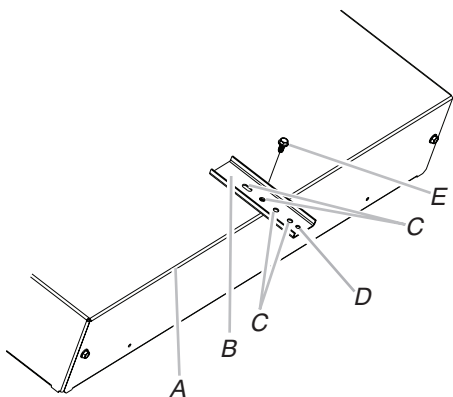


A. Partie inférieure de la base de la table de cuisson  
B. Vis d'attache  
C. Bride de fixation

2. Les brides de fixation peuvent être installées avant ou après le positionnement de la table de cuisson dans l'ouverture. Procéder aux étapes suivantes selon l'option choisie.

## Installation des brides avant de positionner la table de cuisson dans l'ouverture

1. À l'aide de deux personnes ou plus, placer la table de cuisson à l'envers sur une surface couverte en utilisant les cornières en polystyrène de l'emballage. S'assurer que les boutons ne reposent pas sur le polystyrène.
2. Retirer les vis d'attache de la partie inférieure de la base de la table de cuisson afin de permettre l'installation des brides.
3. Sélectionner les trous de montage de la bride qui permettront à la bride de dépasser suffisamment de la table de cuisson pour l'installation des vis de fixation de 2½" (6,4 cm). Voir la section "Fixation de la table de cuisson au plan de travail" pour une illustration de l'installation des vis de fixation.

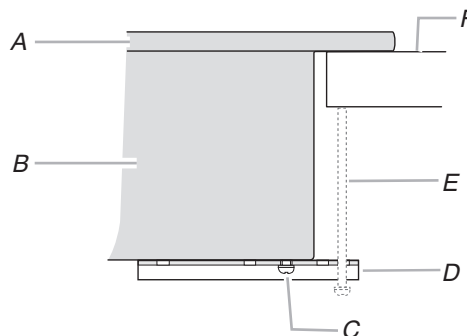


- A. Partie inférieure de la base du bord de la table de cuisson
- B. Bride de fixation
- C. Trous de montage de bride
- D. Trou de fixation de la bride
- E. Vis d'attache

4. Fixer les brides à la partie inférieure de la base de la table de cuisson à l'aide des vis d'attache en utilisant les trous de montage des brides sélectionnés à l'étape 3.
5. Faire tourner les brides de façon à ce qu'elles ne dépassent pas du bord de la base de la table de cuisson.
6. Serrer les vis d'attache juste assez pour maintenir les brides en place lorsque la table de cuisson est positionnée dans l'ouverture.
7. À l'aide d'au moins 2 personnes, placer la table de cuisson dans l'ouverture en orientant la bonne surface vers le haut.  
**REMARQUE :** S'assurer que le bord avant de la table de cuisson est parallèle au bord avant du plan de travail. S'il est nécessaire de repositionner la table de cuisson, la soulever entièrement de l'ouverture pour éviter de rayer le plan de travail.
8. Desserrer les vis et faire tourner les brides pour qu'elles soient perpendiculaires au bord de la base de la table de cuisson et qu'elles dépassent de son bord. Bien serrer les vis.

## Installation des brides après avoir positionné la table de cuisson dans l'ouverture.

1. À l'aide d'au moins 2 personnes, placer la table de cuisson dans l'ouverture en orientant la bonne surface vers le haut.  
**REMARQUE :** S'assurer que le bord avant de la table de cuisson est parallèle au bord avant du plan de travail. S'il est nécessaire de repositionner la table de cuisson, la soulever entièrement de l'ouverture pour éviter de rayer le plan de travail.
2. Enlever les vis d'attache pour les emplacements de brides sélectionnés de la partie inférieure de la base de la table de cuisson.
3. Sélectionner les trous de montage de la bride qui permettront à la bride de dépasser suffisamment de la table de cuisson pour l'installation des vis de fixation de 2½" (6,4 cm).



- A. Table de cuisson
- B. Base de la table de cuisson
- C. Vis d'attache
- D. Bride de fixation (dépassant suffisamment de la base de la table de cuisson pour permettre l'installation des vis de fixation)
- E. Vis de fixation de 2½" (6,4 cm) (à installer à la section "Fixation de la table de cuisson au plan de travail")
- F. Plan de travail

4. Fixer les brides à la partie inférieure de la base de la table de cuisson à l'aide des vis d'attache en utilisant les trous de montage des brides sélectionnés à l'étape 3. Bien serrer les vis.

## Raccordement électrique

### ⚠ AVERTISSEMENT



#### Risque de choc électrique

Déconnecter la source de courant électrique avant l'entretien.

Utiliser du fil en cuivre de calibre 8.

Relier la table de cuisson à la terre.

Le non-respect de ces instructions peut causer un décès, un incendie ou un choc électrique.

Un conducteur vert ou nu de liaison à la terre est connecté au châssis de la table de cuisson lors de la fabrication. Raccorder le câble de la table de cuisson au boîtier de connexion à l'aide du connecteur de conduit homologué UL ou CSA.

#### Options de raccordement électrique

##### Pour les tables de cuisson avec câble à 4 conducteurs :

Si le domicile comporte :

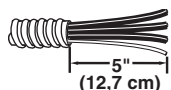
Point de distribution :

Voir la section suivante :

Direct – 4 conducteurs

Disjoncteur ou coupe-circuit avec fusible

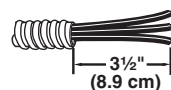
Câble à 4 conducteurs depuis le point de distribution jusqu'au câble à 4 conducteurs depuis la table de cuisson



Direct – 3 conducteurs

Disjoncteur ou coupe-circuit avec fusible

Câble à 3 conducteurs depuis le point de distribution jusqu'au câble à 4 conducteurs depuis la table de cuisson



##### Pour les tables de cuisson avec câble à 3 conducteurs :

Si le domicile comporte :

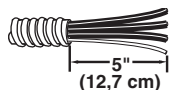
Point de distribution :

Voir la section suivante :

Direct – 4 conducteurs

Disjoncteur ou coupe-circuit avec fusible

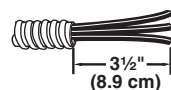
Câble à 4 conducteurs depuis le point de distribution jusqu'au câble à 3 conducteurs depuis la table de cuisson



Direct – 3 conducteurs

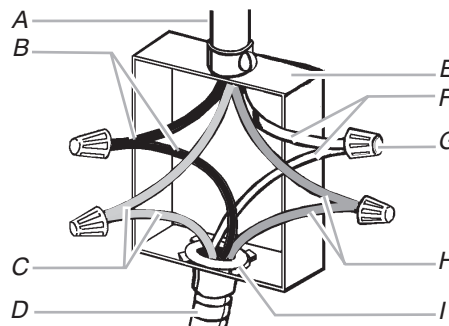
Disjoncteur ou coupe-circuit avec fusible

Câble à 3 conducteurs depuis le point de distribution jusqu'au câble à 3 conducteurs depuis la table de cuisson



### Câble à 4 conducteurs depuis le point de distribution jusqu'au câble à 4 conducteurs depuis la table de cuisson

**IMPORTANT :** Si les codes locaux ne permettent pas le raccordement du conducteur de liaison à la terre au conducteur neutre (blanc) dans le boîtier de connexion, utiliser le câble à 4 conducteurs provenant du point de distribution.



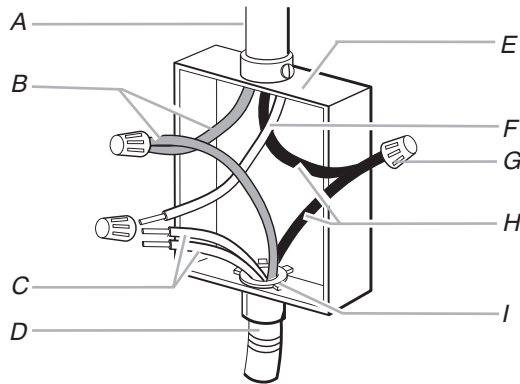
- A. Câble à 4 conducteurs depuis le point de distribution
- B. Conducteurs noirs
- C. Conducteurs verts ou nus
- D. Câble à 4 conducteurs depuis la table de cuisson
- E. Boîtier de connexion
- F. Conducteurs blancs point de distribution
- G. Connecteur de fils (homologation UL)
- H. Conducteurs rouges
- I. Connecteur de conduit (homologation UL ou CSA)

1. Déconnecter la source de courant électrique.
2. Enlever le couvercle du boîtier de connexion, le cas échéant.
3. Avec le connecteur de conduit (homologation UL ou CSA) pour conduit de 1/2" (1,3 cm), connecter le conduit de câble flexible de la table de cuisson au boîtier de connexion.
4. Serrer les vis du connecteur de conduit, le cas échéant.
5. Connecter ensemble les deux conducteurs noirs avec un connecteur de fils (homologation UL).
6. Connecter ensemble les deux conducteurs rouges avec les connecteurs de fils (homologation UL).
7. Connecter ensemble les deux conducteurs blancs avec les connecteurs de fils (homologation UL).
8. Connecter le conducteur vert ou nu de liaison à la terre du câble de la table de cuisson avec le conducteur vert ou nu de liaison à la terre (dans le boîtier de connexion) avec les connecteurs de fils (homologation UL).
9. Installer le couvercle du boîtier de connexion.
10. Reconnecter la source de courant électrique.



## Câble à 3 conducteurs depuis le point de distribution jusqu'au câble à 4 conducteurs depuis la table de cuisson

**IMPORTANT:** Utiliser le câble à 3 conducteurs depuis le point de distribution lorsque les codes locaux locaux en vigueur permettent le raccordement entre le conducteur de liaison à la terre du châssis et le conducteur neutre (blanc) dans le boîtier de connexion.

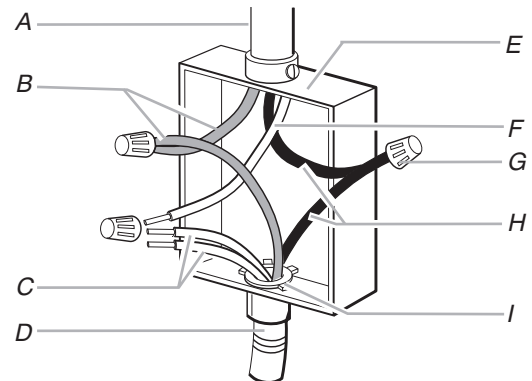


- |   |   |
|---|---|
| A. Câble à 3 conducteurs depuis le point de distribution                              | F. Conducteur blanc (depuis le point de distribution) |
| B. Conducteurs rouges   | G. Connecteur de fils (homologation UL)               |
| C. Conducteurs blanc et vert ou nu de liaison à la terre (depuis la table de cuisson) | H. Conducteurs noirs                                  |
| D. Câble à 4 conducteurs depuis la table de cuisson                                   | I. Connecteur de conduit (homologation UL ou CSA)     |
| E. Boîtier de connexion   |   |

- Déconnecter la source de courant électrique.
- Le cas échéant, enlever le couvercle du boîtier de connexion.
- Connecter le conduit de câble flexible de la table de cuisson au boîtier de connexion avec un connecteur de conduit (homologation UL ou CSA).
- Serrer les vis du connecteur de conduit, le cas échéant.
- Connecter ensemble les deux conducteurs noirs avec un connecteur de fils (homologation UL).
- Connecter ensemble les deux conducteurs rouges avec les connecteurs de fils (homologation UL).
- Connecter le conducteur vert ou nu et le conducteur blanc de la table de cuisson au conducteur blanc (neutre) dans le boîtier de connexion avec les connecteurs de fils (homologation UL).
- Installer le couvercle du boîtier de connexion.
- Reconnecter la source de courant électrique.

## Câble à 4 conducteurs depuis le point de distribution jusqu'au câble à 3 conducteurs depuis la table de cuisson

**IMPORTANT :** Si les codes locaux ne permettent pas le raccordement du conducteur de liaison à la terre au conducteur blanc (neutre) dans le boîtier de connexion, utiliser le câble à 4 conducteurs provenant du point de distribution :

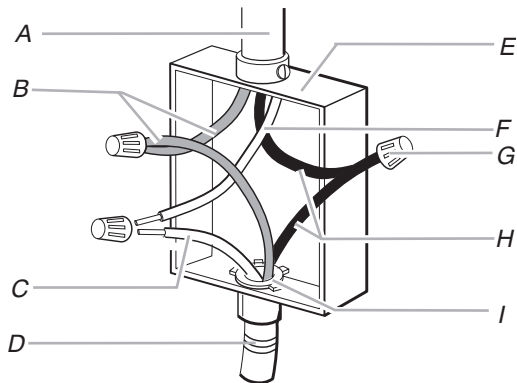


- |   |   |
|---|---|
| A. Câble à 4 conducteurs depuis le point de distribution                    | F. Conducteur blanc (depuis le point de distribution) |
| B. Conducteurs rouges   | G. Connecteur de fils (homologation UL)               |
| C. Conducteur vert (ou nu) de liaison à la terre depuis la table de cuisson | H. Conducteurs noirs                                  |
| D. Câble à 3 conducteurs depuis la table de cuisson                         | I. Connecteur de conduit (homologation UL ou CSA)     |
| E. Boîtier de connexion   |   |

- Déconnecter la source de courant électrique.
  - Le cas échéant, enlever le couvercle du boîtier de connexion.
  - Avec le connecteur de conduit (homologation UL ou CSA), connecter le conduit de câble flexible de la table de cuisson au boîtier de connexion.
  - Serrer les vis du connecteur de conduit, le cas échéant.
  - Connecter ensemble les deux conducteurs noirs avec un connecteur de fils (homologation UL).
  - Connecter ensemble les deux conducteurs rouges avec les connecteurs de fils (homologation UL).
  - Connecter le conducteur vert ou nu de liaison à la terre du câble de la table de cuisson avec le conducteur vert ou nu de liaison à la terre (dans le boîtier de connexion) avec les connecteurs de fils (homologation UL) à l'extrémité du conducteur blanc.
  - Placer un connecteur de fils (homologation UL) à l'extrémité du conducteur blanc.
- REMARQUE :** Ne pas connecter le conducteur nu de liaison à la terre au conducteur neutre (blanc) dans le boîtier de connexion.
- Installer le couvercle du boîtier de connexion.
  - Reconnecter la source de courant électrique.

## Câble à 3 conducteurs depuis le point de distribution jusqu'au câble à 3 conducteurs depuis la table de cuisson

**IMPORTANT:** Utiliser le câble à 3 conducteurs depuis le point de distribution lorsque le code local en vigueur permet le raccordement entre le conducteur de liaison à la terre du châssis et le conducteur neutre (blanc) dans le boîtier de connexion:

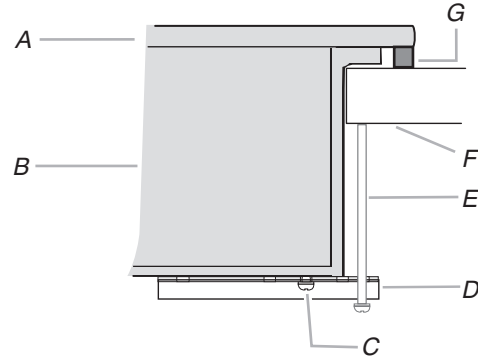


- |   |   |
|---|---|
| A. Câble à 3 conducteurs depuis le point de distribution                    | E. Boîtier de connexion                               |
| B. Conducteurs rouges   | F. Conducteur blanc (depuis le point de distribution) |
| C. Conducteur vert (ou nu) de liaison à la terre depuis la table de cuisson | G. Connecteur de fils (homologation UL)               |
| D. Câble à 3 conducteurs depuis la table de cuisson                         | H. Conducteurs noirs                                  |
|   | I. Connecteur de conduit (homologation UL ou CSA)     |

1. Déconnecter la source de courant électrique.
2. Enlever le couvercle du boîtier de connexion, le cas échéant.
3. Avec le connecteur de conduit (homologation UL ou CSA), connecter le conduit de câble flexible de la table de cuisson au boîtier de connexion.
4. Serrer les vis du connecteur de conduit, le cas échéant.
5. Connecter ensemble les deux conducteurs noirs avec un connecteur de fils (homologation UL).
6. Connecter ensemble les deux conducteurs rouges avec les connecteurs de fils (homologation UL).
7. Connecter le conducteur vert ou nu de la table de cuisson au conducteur blanc (neutre) dans le boîtier de connexion avec les connecteurs de fils (homologation UL).
8. Installer le couvercle du boîtier de connexion.
9. Reconnecter la source de courant électrique.

## Fixation de la table de cuisson au plan de travail

**REMARQUE :** Cette section s'applique uniquement en cas d'utilisation de brides de fixation.



- |   |                                    |
|---|------------------------------------|
| A. Table de cuisson en verre  | E. Vis de fixation de 2½" (6,4 cm) |
| B. Base de la table de cuisson  | F. Plan de travail                 |
| C. Vis d'attache  | G. Bande de mousse                 |
| D. Bride de fixation (dépassant suffisamment de la base de la table de cuisson pour permettre l'installation des vis de fixation) |                                    |

1. Placer les vis de fixation de 2½" (6,4 cm) dans le trou le plus à l'extérieur de la bride.
2. À l'aide d'un tournevis à lame plate, serrer les vis sur le plan de travail. Ne pas serrer excessivement.

## Achever l'installation

1. Vérifier que toutes les pièces sont maintenant installées. S'il reste une pièce, passer en revue les différentes étapes pour découvrir laquelle aurait été oubliée.
2. Vérifier la présence de tous les outils.
3. Éliminer/recycler les matériaux d'emballage.
4. Avant d'utiliser la table de cuisson, utiliser une solution douce de nettoyant domestique et d'eau tiède pour la nettoyer. Sécher parfaitement avec un linge doux. Pour plus de renseignements, voir la section "Entretien de la table de cuisson" du Guide d'utilisation et d'entretien.
5. Lire "Utilisation de la table de cuisson" dans le Guide d'utilisation et d'entretien de la table de cuisson.
6. Reconnecter la source de courant électrique.
7. Pour obtenir plus d'informations au sujet de ce produit, lire les instructions d'utilisation du gril électrique Annex.

**REMARQUE :** Si la table de cuisson ne fonctionne pas après la mise sous tension, vérifier que le disjoncteur ne s'est pas déclenché ou que les fusibles ne sont pas grillés. Voir la section "Dépannage" dans le Guide d'utilisation et d'entretien pour plus de renseignements.

### Si vous avez besoin d'assistance ou de service :

Consulter la section "Assistance ou service" du Guide d'utilisation et d'entretien ou contacter le marchand auprès duquel la table de cuisson a été achetée.

---

## Remarques

