

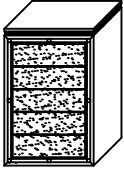
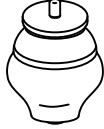
COLLETE-WHITE-CH ASSEMBLY INSTRUCTION

Thank you for purchasing this quality product. Be sure any small parts and hardware not for children under 3 years. Adult assembly required.

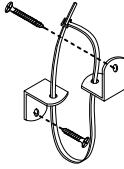
"DO NOT TIGHTEN SCREWS UNTIL COMPLETELY ASSEMBLED"

"DO NOT OVERTIGHT ANY HARDWARE"

PARTS LIST

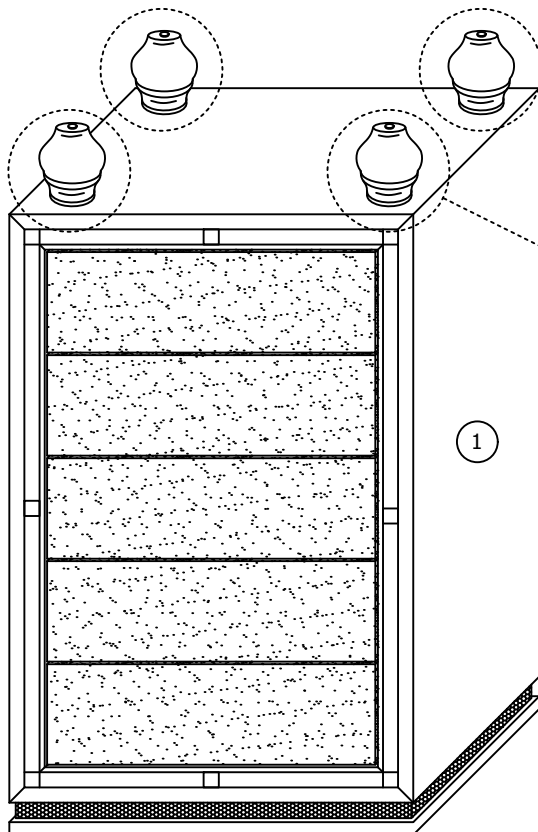
ITEM	DESCRIPTION	DRAWING	QTY
1	CHEST		1 PC
22	LEG (WITH PLASTIC COVER)		4 PCS

HARDWARES LIST

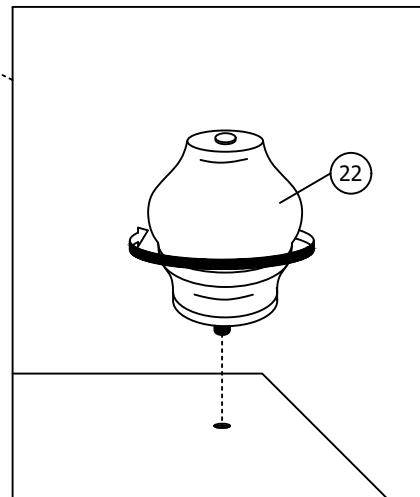
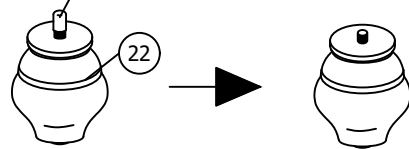
ITEM	DESCRIPTION	DRAWING	QTY
A	TIPPING RESTRAINT		1 PC

ASSEMBLY STEPS

STEP 1



Take off this plastic cover before assembly



COLLETE-WHITE-CH ASSEMBLY INSTRUCTION

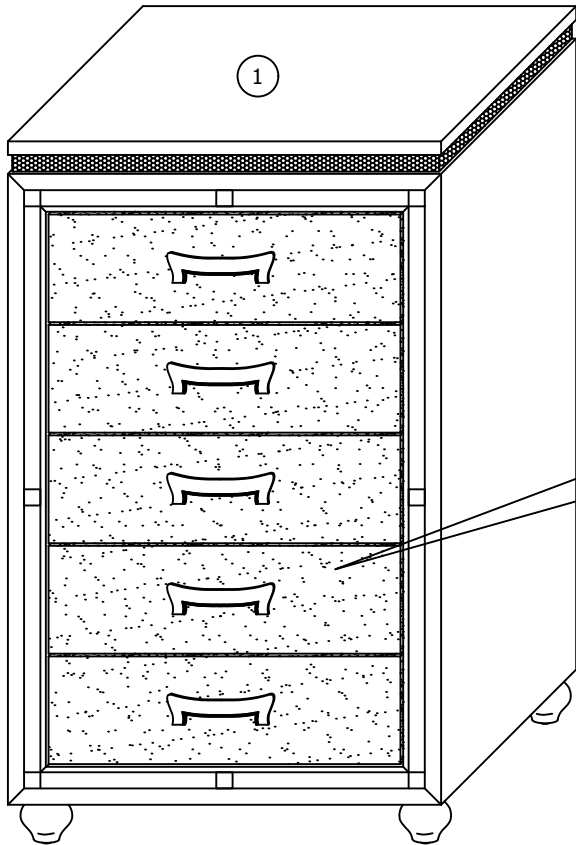
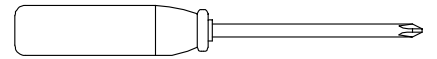
STEP 2

STEP 2.1: Turn loose all the handles and screws.

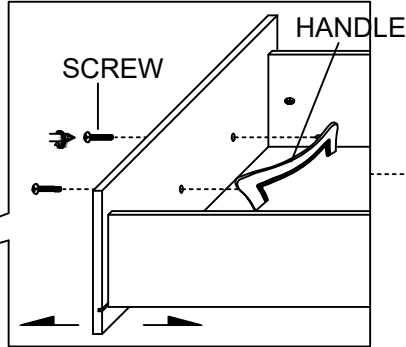
STEP 2.2: Exchange location of these items then tighten.

ASSEMBLY TOOLS REQUIRED

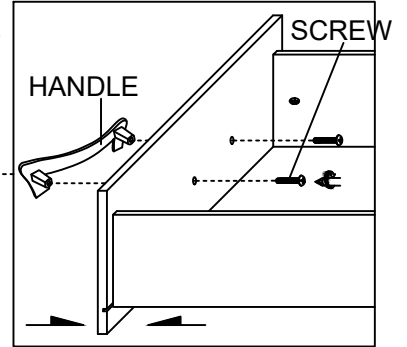
Screwdriver (not provide)



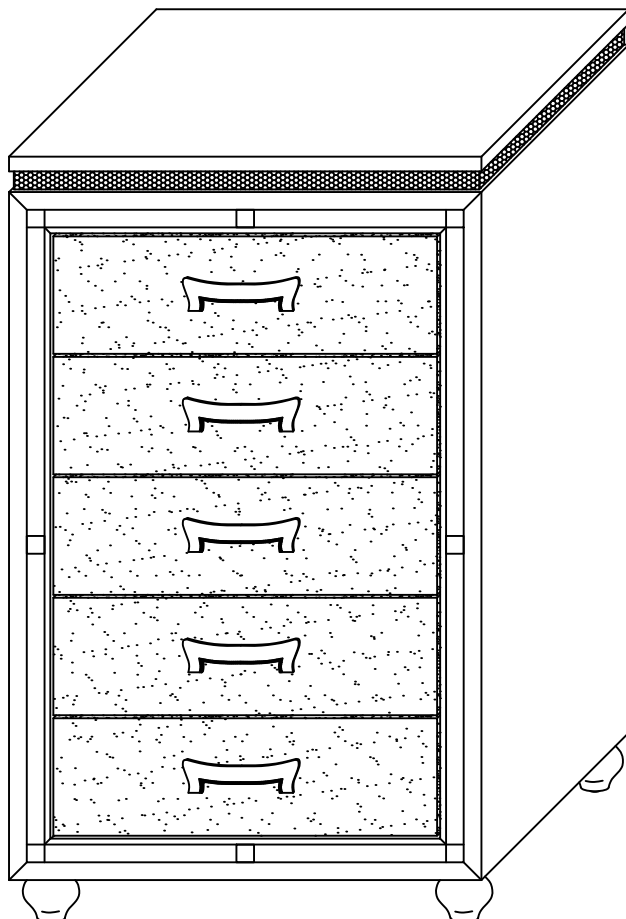
STEP 2.1



STEP 2.2

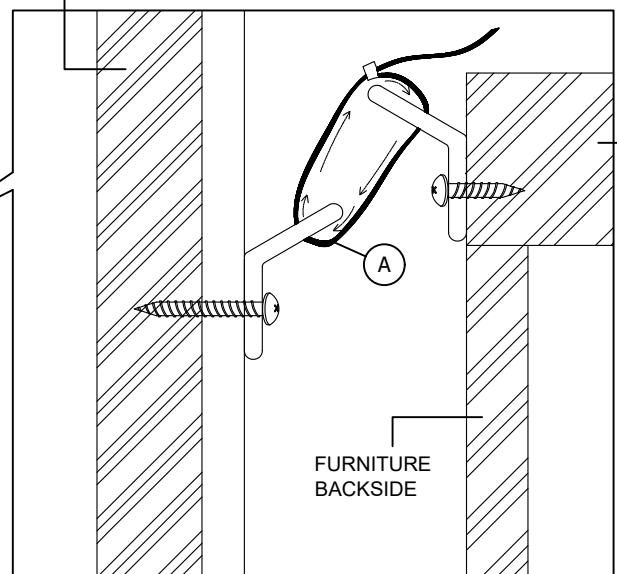


STEP 3



WALL BOARD AND STUD

FURNITURE TOP



ASSEMBLY COMPLETED

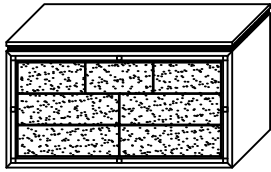

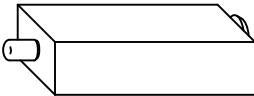
COLLETE-WHITE-DR ASSEMBLY INSTRUCTION

Thank you for purchasing this quality product. Be sure any small parts and hardware not for children under 3 years. Adult assembly required.

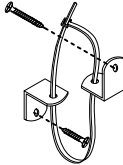
"DO NOT TIGHTEN SCREWS UNTIL COMPLETELY ASSEMBLED"

"DO NOT OVERTIGHT ANY HARDWARE"

PARTS LIST

ITEM	DESCRIPTION	DRAWING	QTY
1	DRESSER		1 PC
22	LEG (WITH PLASTIC COVER)		4 PCS
23	CENTRE SUPPORT LEG (WITH PLASTIC COVER)		1 PC

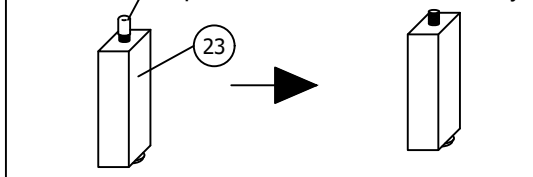
HARDWARES LIST

ITEM	DESCRIPTION	DRAWING	QTY
A	TIPPING RESTRAINT		1 PC

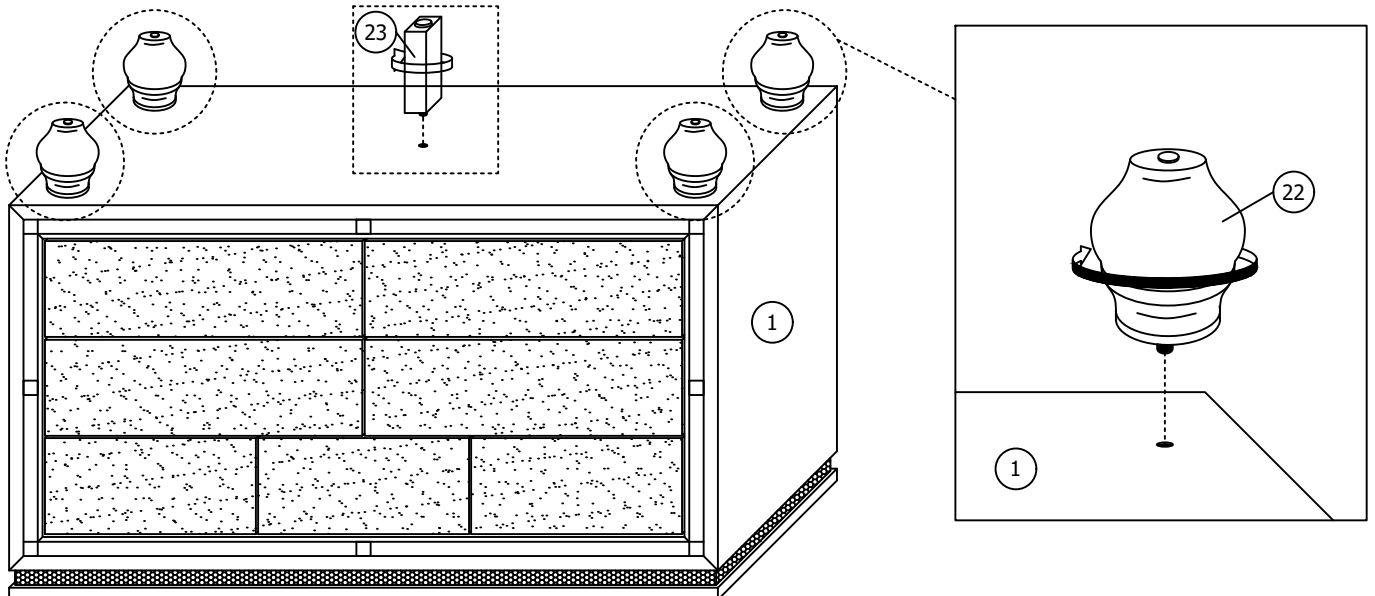
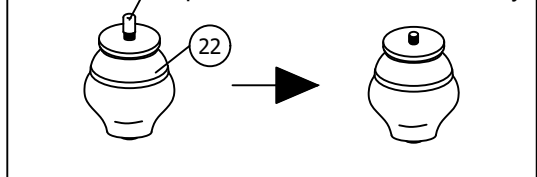
ASSEMBLY STEPS

STEP 1

Take off this plastic cover before assembly



Take off this plastic cover before assembly



COLLETE-WHITE-DR ASSEMBLY INSTRUCTION

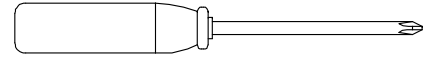
STEP 2

STEP 2.1: Turn loose all the handles and screws.

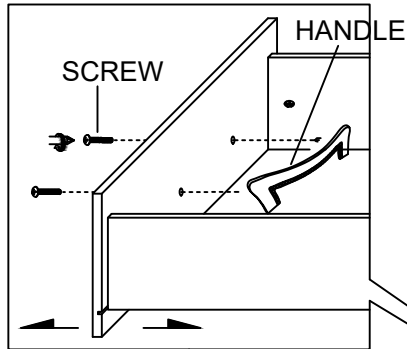
STEP 2.2: Exchange location of these items then tighten.

ASSEMBLY TOOLS REQUIRED

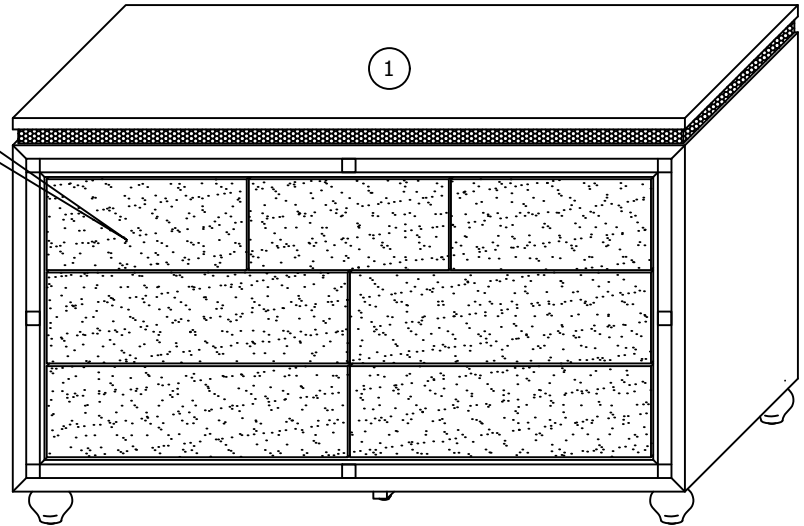
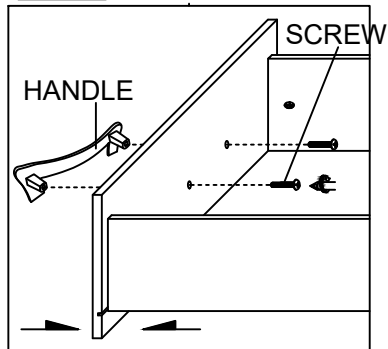
Screwdriver (not provide)



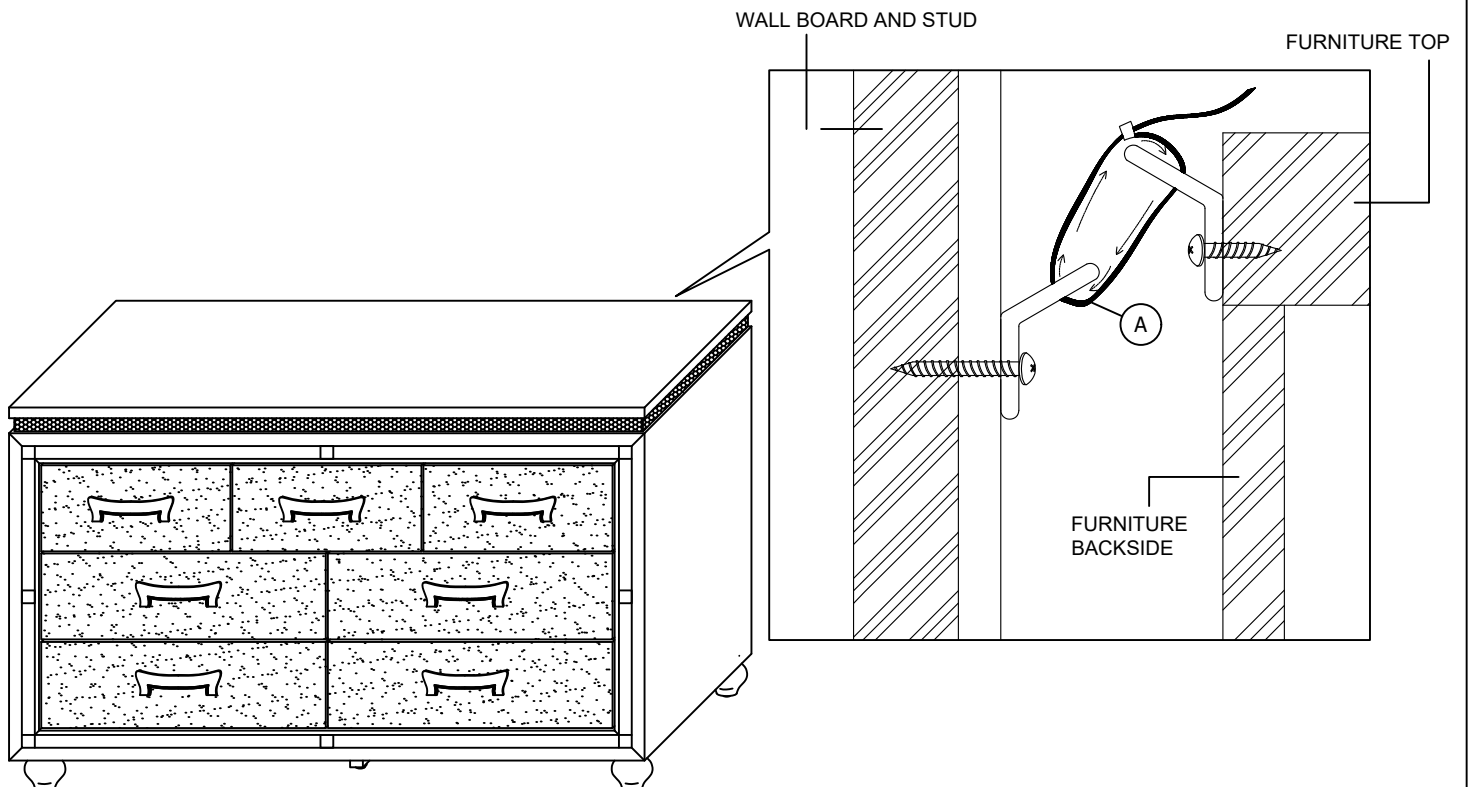
STEP 2.1



STEP 2.2



STEP 3



ASSEMBLY COMPLETED

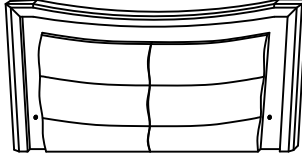
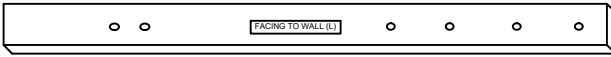
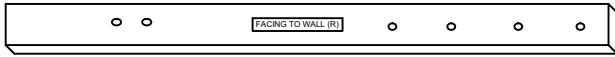
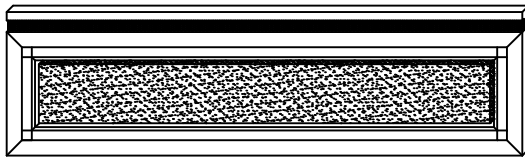
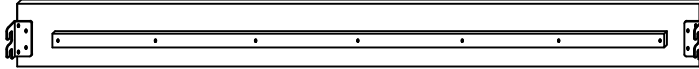
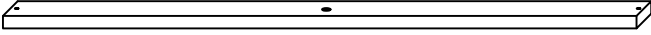
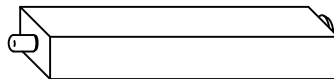

COLLETE-WHITE-QB / FB ASSEMBLY INSTRUCTION

Thank you for purchasing this quality product. Be sure any small parts and hardware not for children under 3 years. Adult assembly required.

"DO NOT TIGHTEN SCREWS UNTIL COMPLETELY ASSEMBLED"

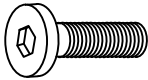
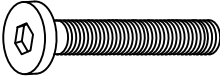
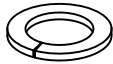
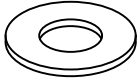



"DO NOT OVERTIGHT ANY HARDWARE"

PARTS LIST

ITEM	DESCRIPTION	DRAWING	QTY
1	HEADBOARD		1 PC
2	HEADBOARD SUPPORT LEG - (L)		1 PC
3	HEADBOARD SUPPORT LEG - (R)		1 PC
4	FOOTBOARD		1 PC
5	SIDE RAIL (i)		2 PCS
6	SLAT		4 PCS
7	SUPPORT LEG (WITH PLASTIC COVER)		4 PCS
22	FOOTBOARD LEG		2 PCS

COLLETE-WHITE-QB / FB ASSEMBLY INSTRUCTION

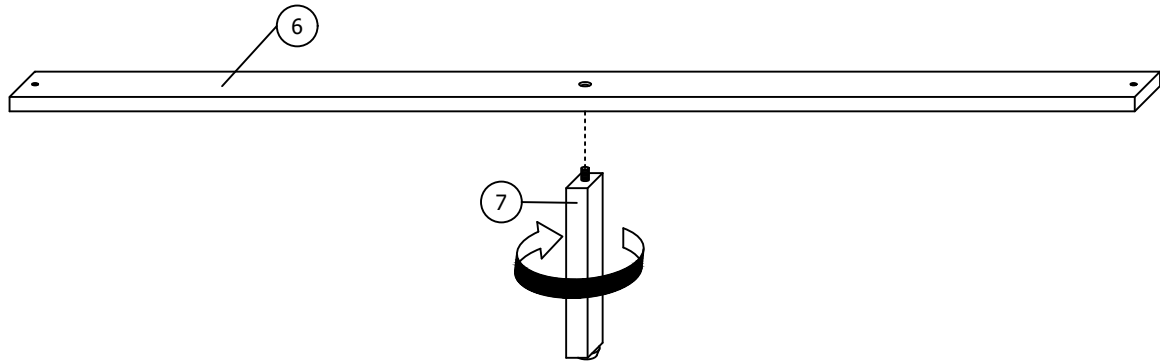
HARDWARES LIST

ITEM	DESCRIPTION	DRAWING	QTY
A	JCBB SCREW M8 x 16MM		8 PCS
B	JCBB SCREW M8 x 40MM		12 PCS
C	SPRING WASHER M8 x 14MM		8 PCS
D	SPRING WASHER M8 x 22MM		8 PCS
E	CSK C/B SCREW (M4 x 32MM)		8 PCS
F	M5 ALLEN KEY (65MM)		1 PC
G	PLUG WITH CONNECTOR WIRE		1 PC

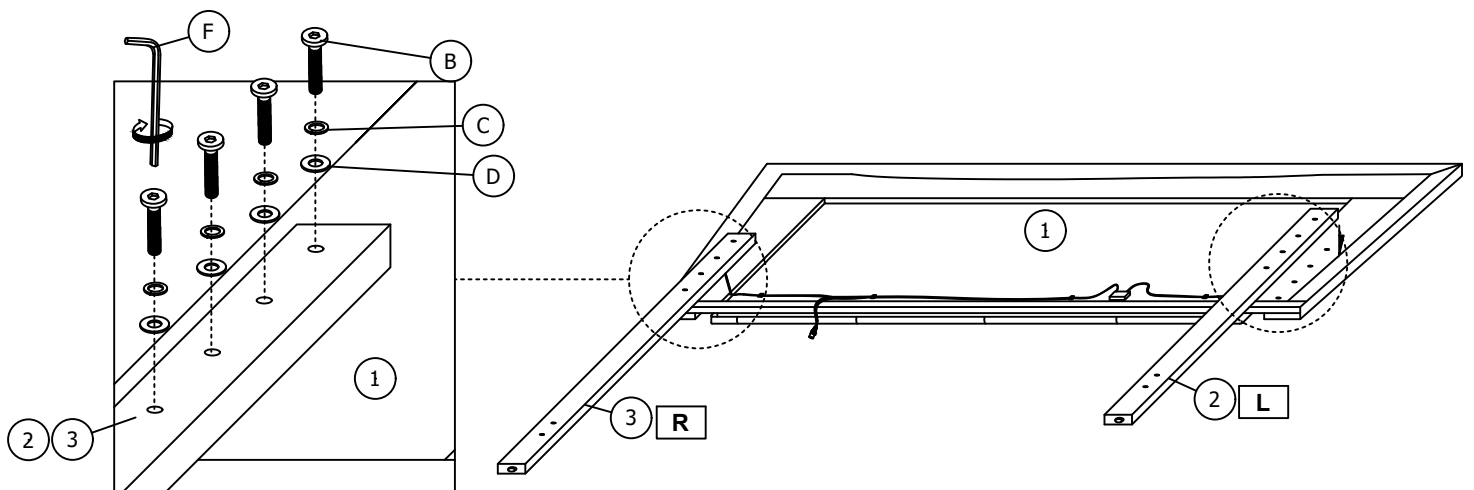
COLLETE-WHITE-QB / FB ASSEMBLY INSTRUCTION

STEP 1

x 4

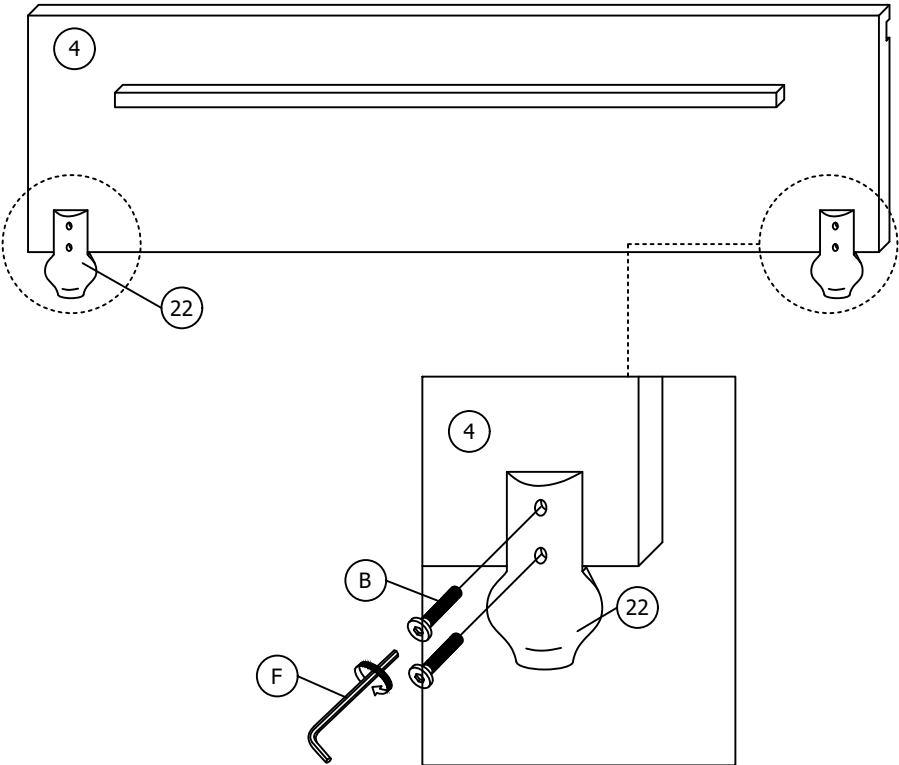


STEP 2

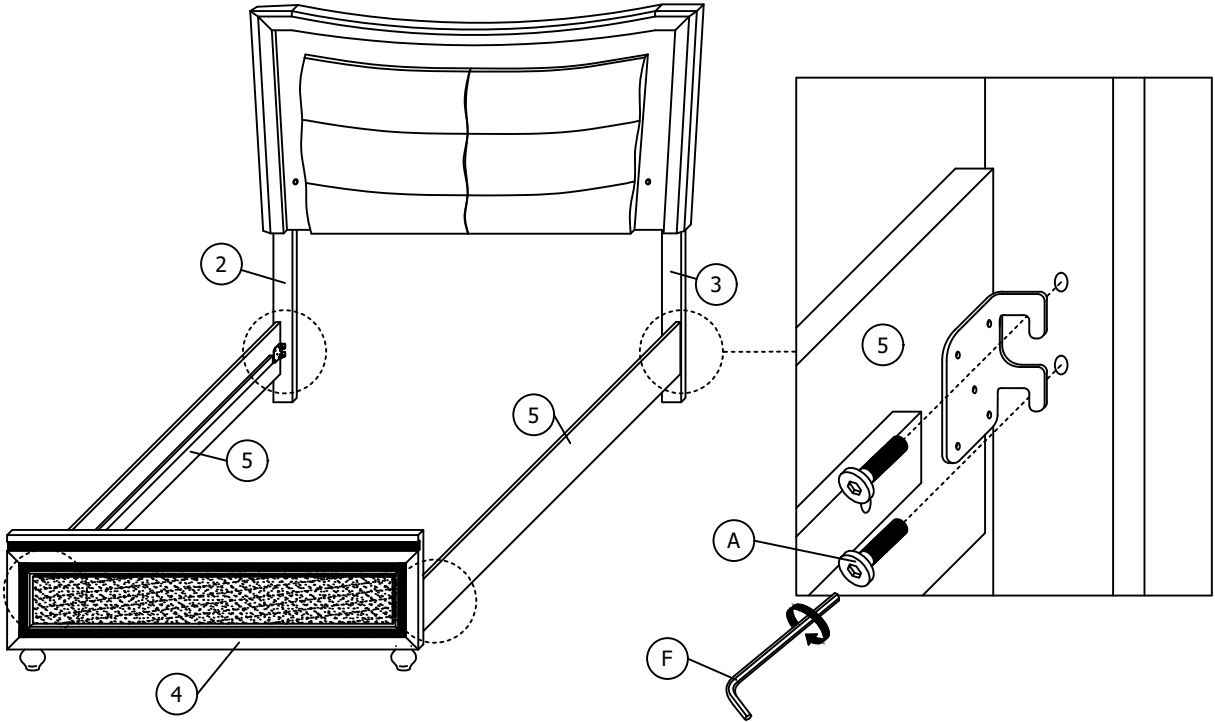


COLLETE-WHITE-QB / FB ASSEMBLY INSTRUCTION

STEP 3

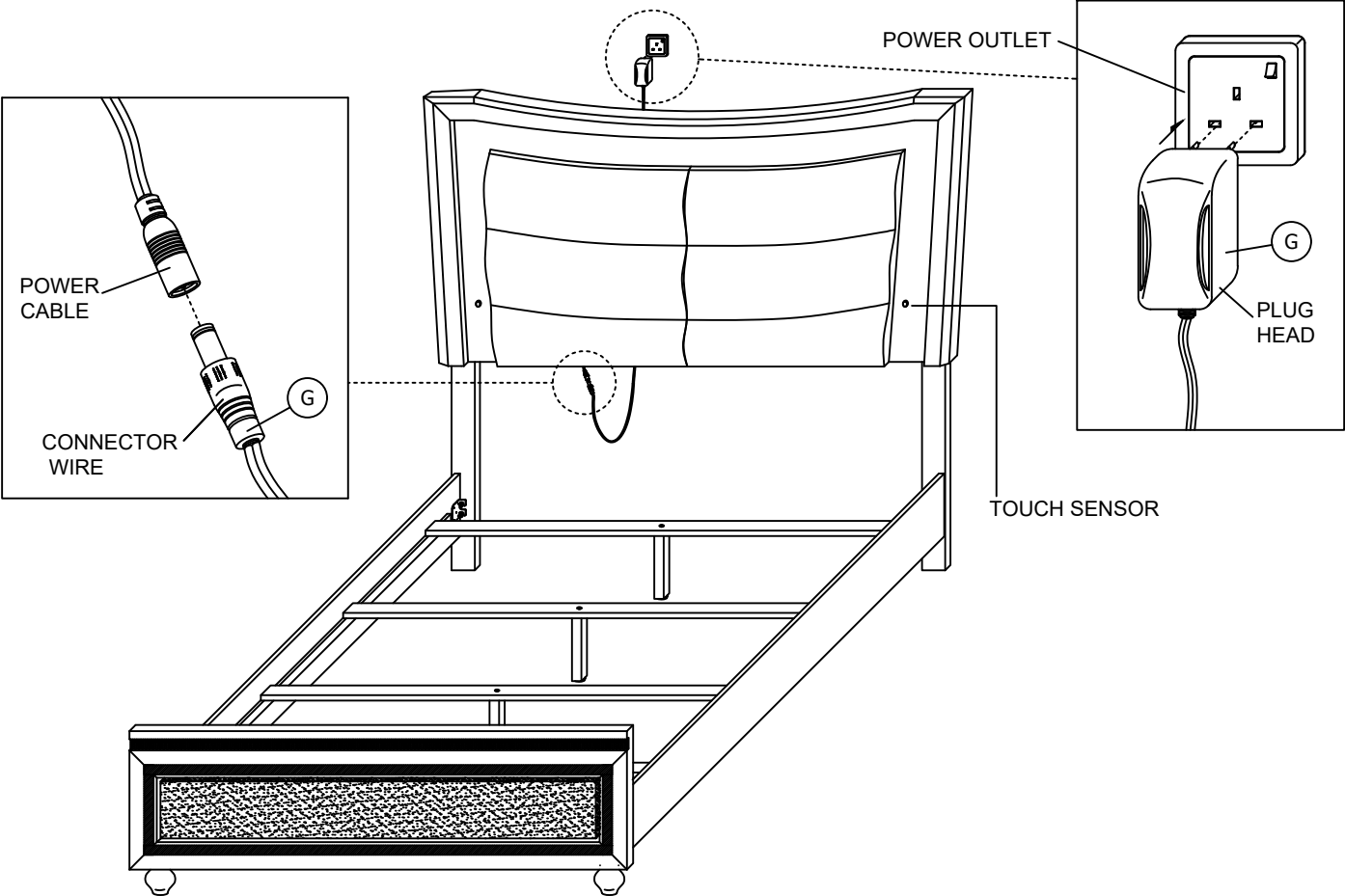
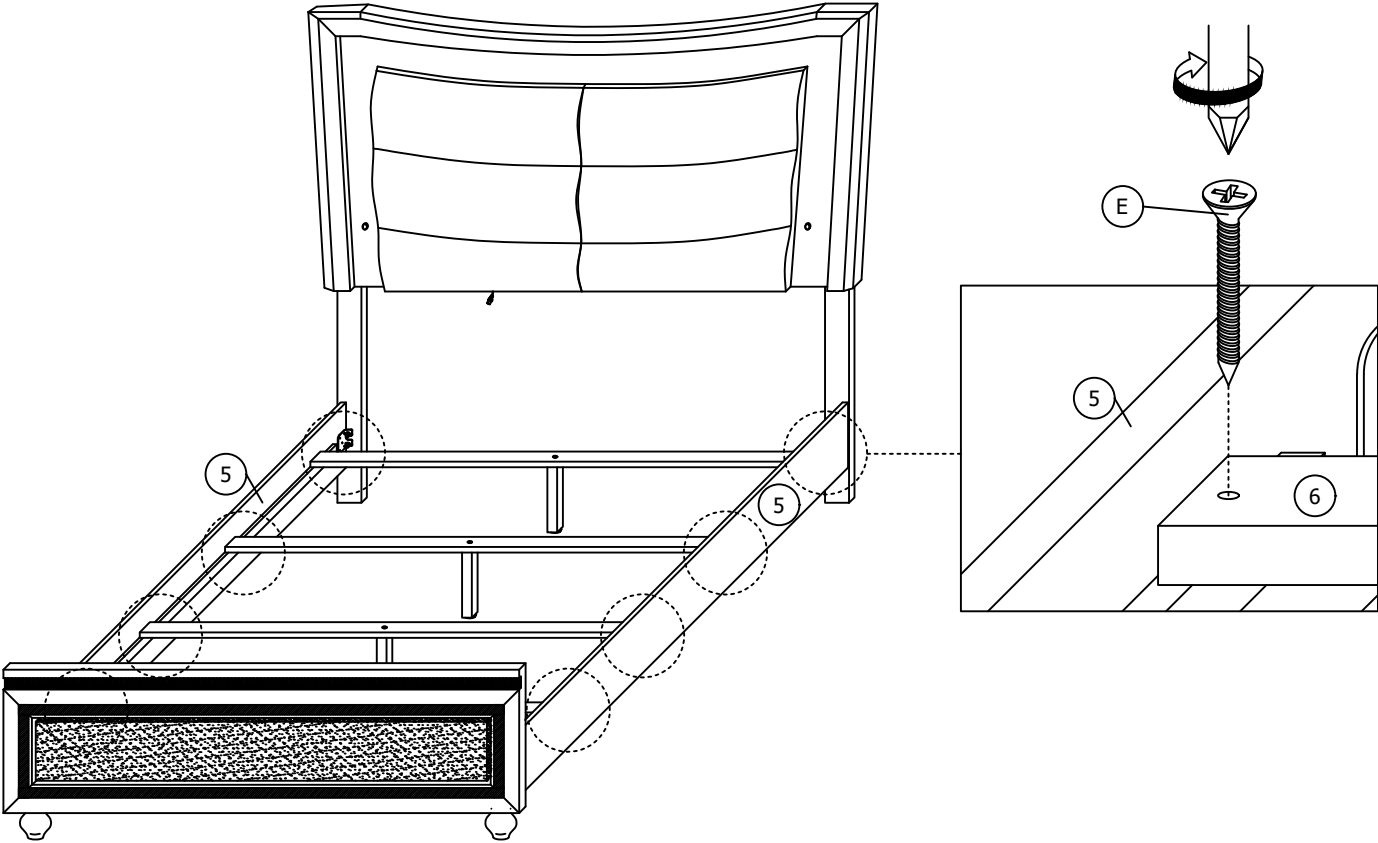


STEP 4



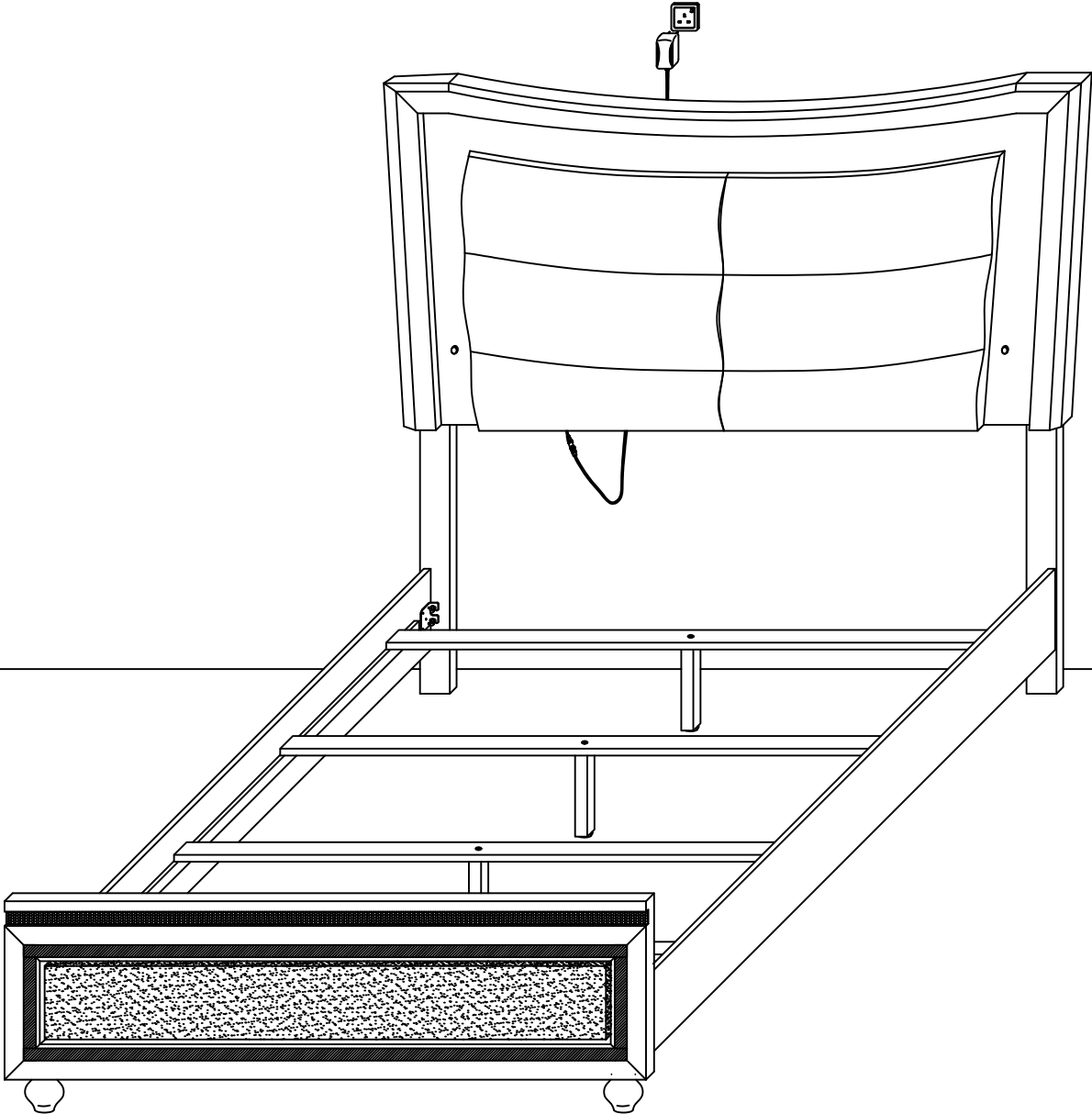
COLLETE-WHITE-QB / FB ASSEMBLY INSTRUCTION

STEP 5



COLLETE-WHITE-QB / FB ASSEMBLY INSTRUCTION

STEP 6



ASSEMBLY COMPLETED

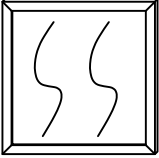
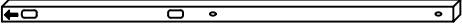
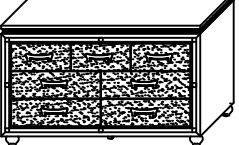
COLLETE-WHITE-MR ASSEMBLY INSTRUCTION

Thank you for purchasing this quality product. Be sure any small parts and hardware not for children under 3 years. Adult assembly required.

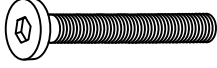



"DO NOT TIGHTEN SCREWS UNTIL COMPLETELY ASSEMBLED"

"DO NOT OVERTIGHT ANY HARDWARE"

PARTS LIST

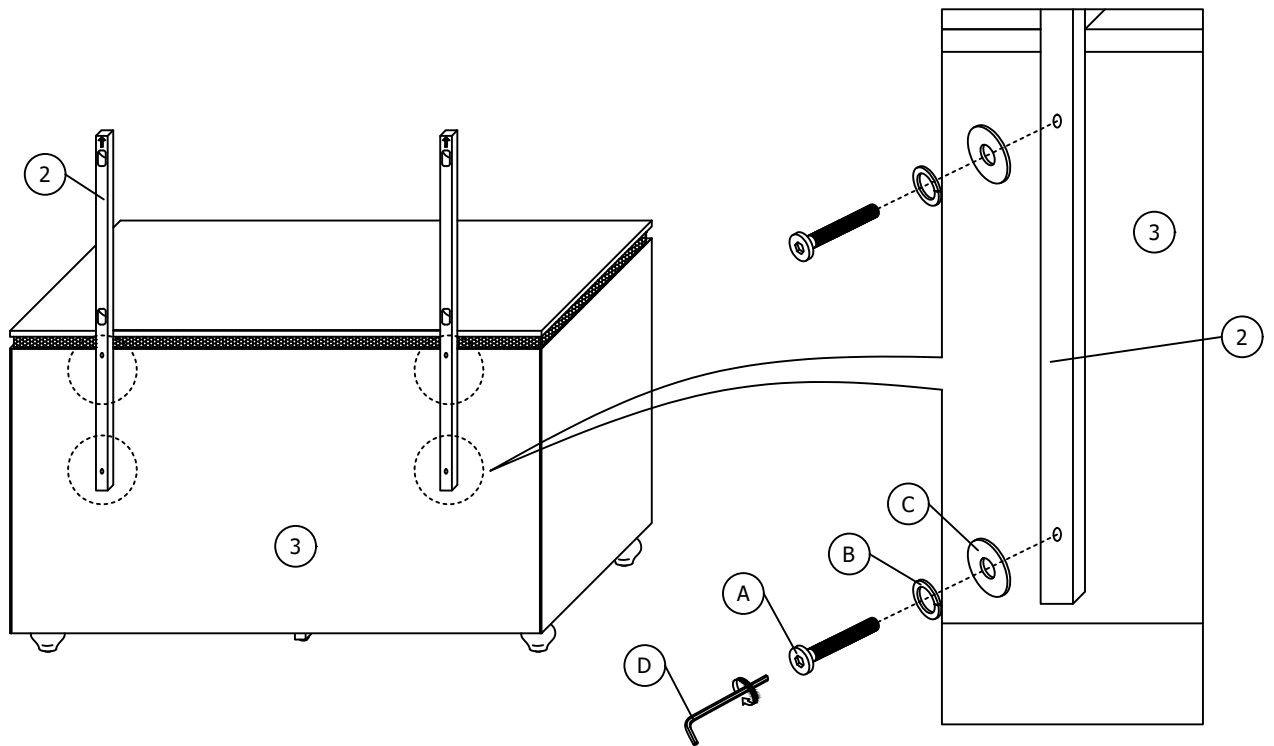
ITEM	DESCRIPTION	DRAWING	QTY
1	MIRROR		1 PC
2	MIRROR SUPPROT RAIL		2 PCS
3	DRESSER		1 PC

HARDWARES LIST

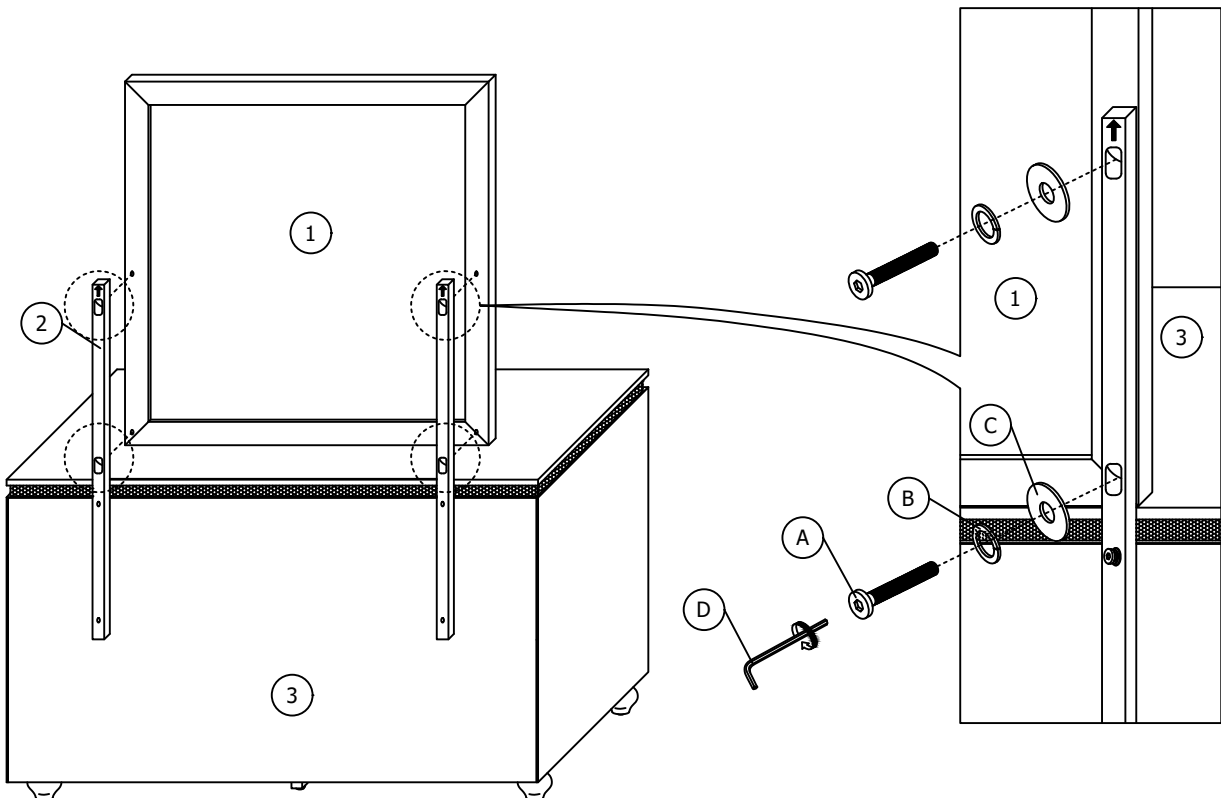
ITEM	DESCRIPTION	DRAWING	QTY
A	JCBC SCREW M6 x 40MM		8 PCS
B	SPRING WASHER M6 x 13MM		8 PCS
C	FLAT WASHER M6 x 19MM		8 PCS
D	M4 ALLEN KEY (65MM)		1 PC

COLLETE-WHITE-MR ASSEMBLY INSTRUCTION

STEP 1

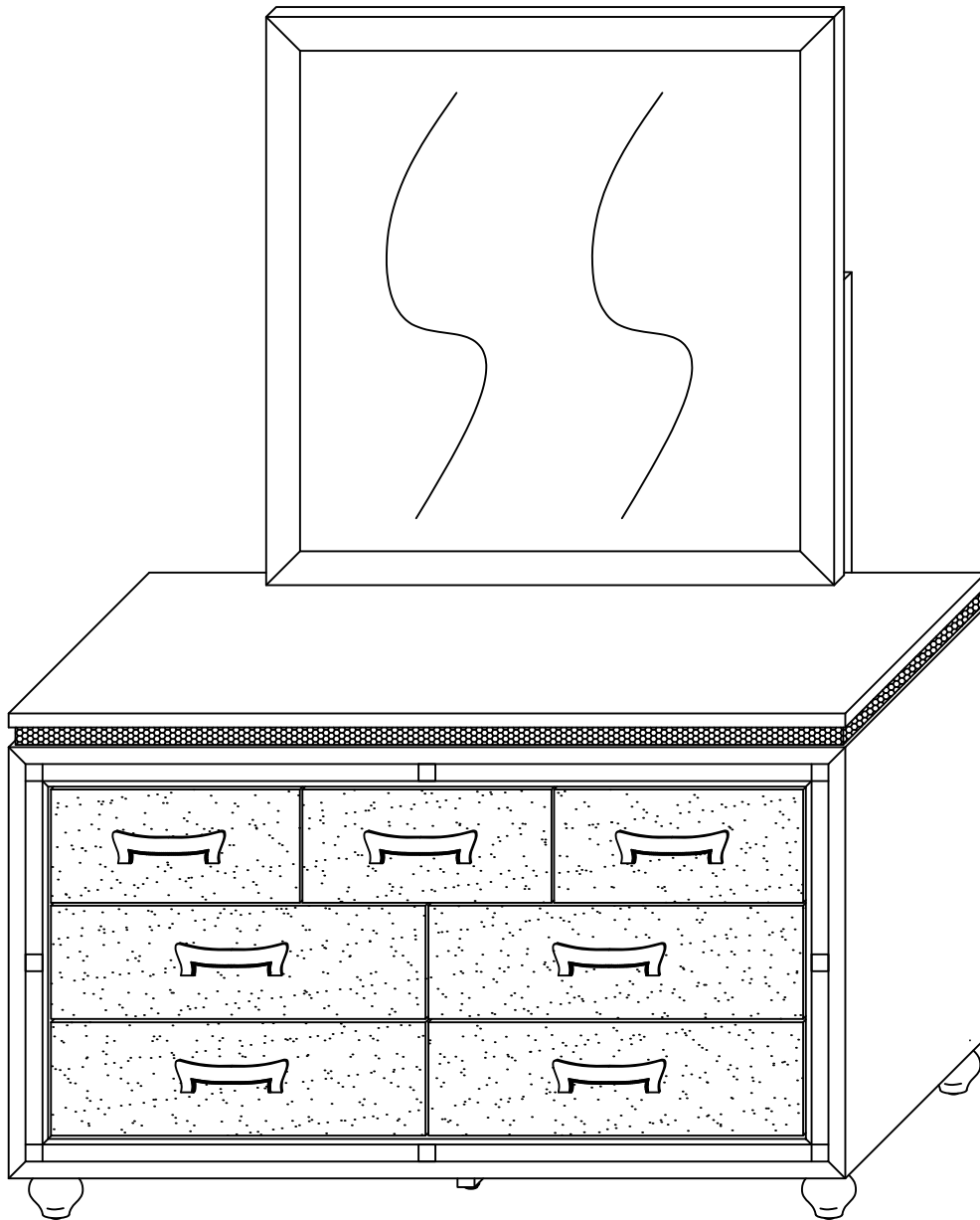


STEP 2



COLLETE-WHITE-MR ASSEMBLY INSTRUCTION

STEP 3



ASSEMBLY COMPLETED

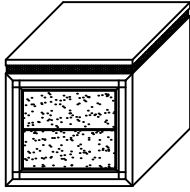
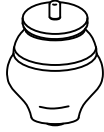
COLLETE-WHITE-NS ASSEMBLY INSTRUCTION

Thank you for purchasing this quality product. Be sure any small parts and hardware not for children under 3 years. Adult assembly required.

"DO NOT TIGHTEN SCREWS UNTIL COMPLETELY ASSEMBLED"

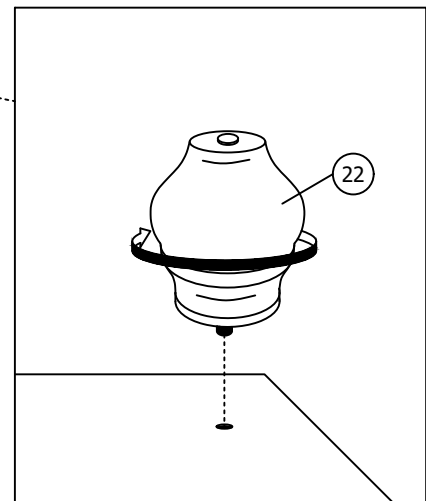
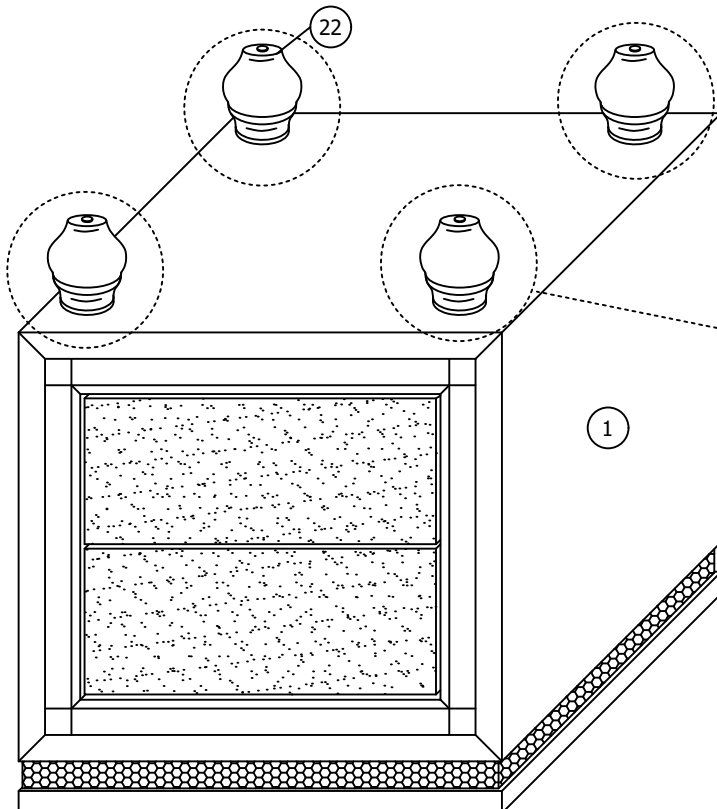
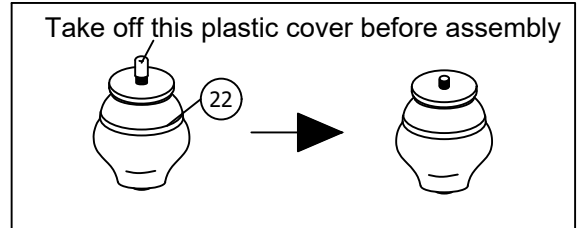
"DO NOT OVERTIGHT ANY HARDWARE"

PARTS LIST

ITEM	DESCRIPTION	DRAWING	QTY
1	NIGHTSTAND		1 PC
22	LEG (WITH PLASTIC COVER)		4 PCS

ASSEMBLY STEPS

STEP 1



COLLETE-WHITE-NS ASSEMBLY INSTRUCTION

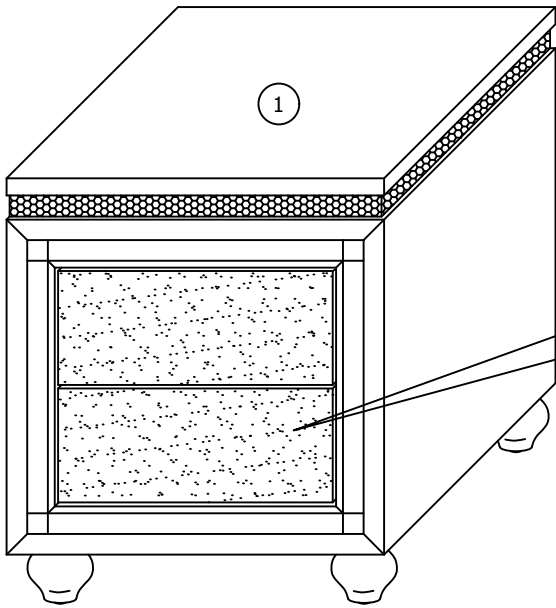
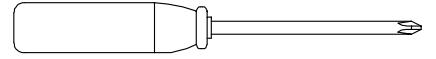
STEP 2

STEP 2.1: Turn loose all the handles and screws.

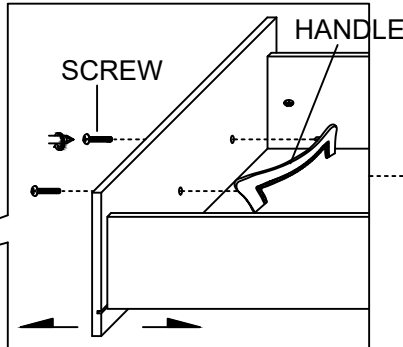
STEP 2.2: Exchange location of these items then tighten.

ASSEMBLY TOOLS REQUIRED

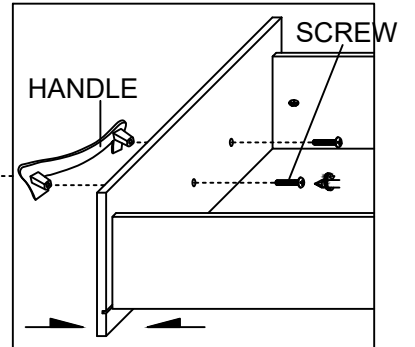
Screwdriver (not provide)



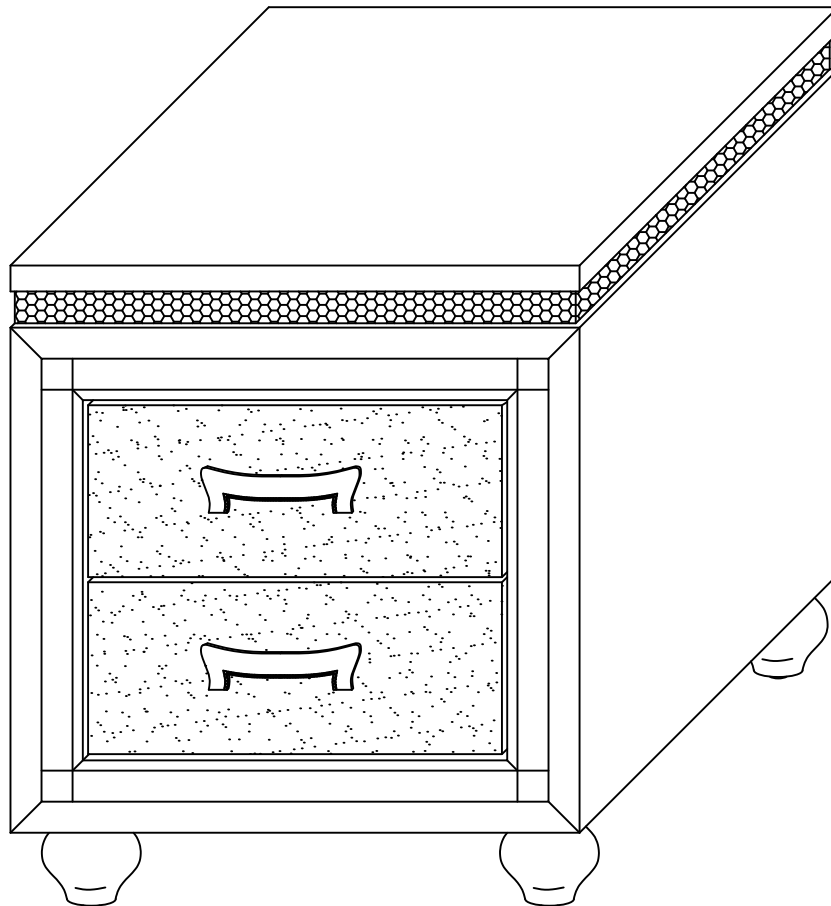
STEP 2.1



STEP 2.2



STEP 3



ASSEMBLY COMPLETED