

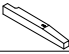
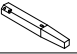
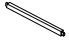








# ASSEMBLY INSTRUCTION INSTRUCCIONES

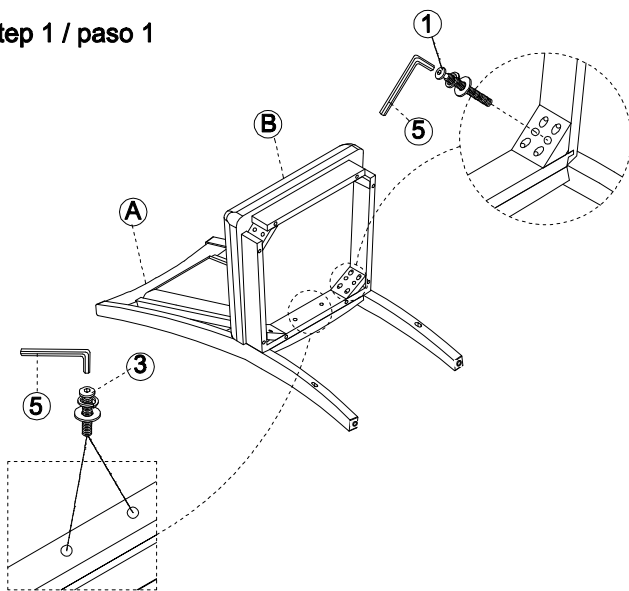
2274S (DINING CHAIR)

2274S (SILLA DE COMEDOR)

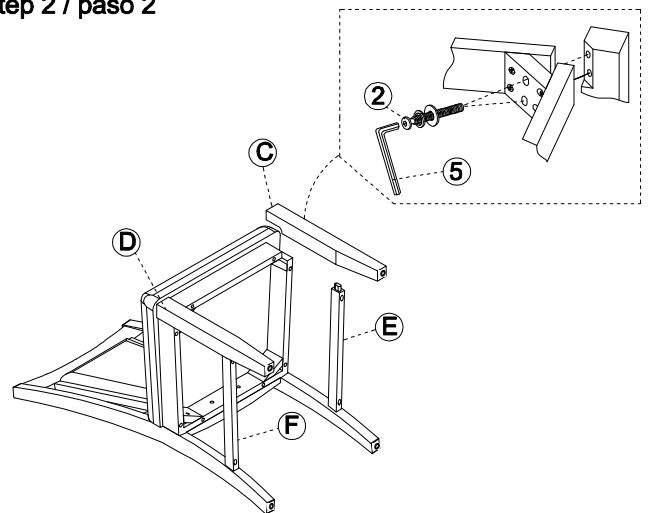
No.	DESCRIPTION	Q'TY
A	 CHAIR BACK	1pc/pieza
B	 CUSHION WITH SEAT FRAME	1pc/pieza
C	 RIGHT FRONT LEG	1pc/pieza
D	 LEFT FRONT LEG	1pc/pieza
E	 RIGHT STRETCHER	1pc/pieza
F	 LEFT STRETCHER	1pc/pieza

No.	DESCRIPTION	Q'TY
①	 BOLT (Ø5/16" x 18 x 3") (Chair back leg corner)	4pcs/piezas
②	 BOLT (Ø5/16" x 18 x 2-3/8") (Front leg)	4pcs/piezas
③	 BOLT (Ø5/16" x 18 x 1-3/4") (Chair back center)	2pcs/piezas
④	 SCREW ( #8 x 1-1/2" )	4pcs/piezas
⑤	 ALLEN KEY ( 4mm )	1pc/pieza

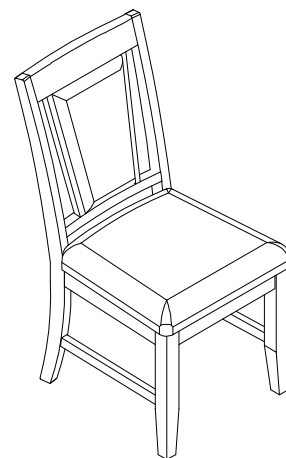
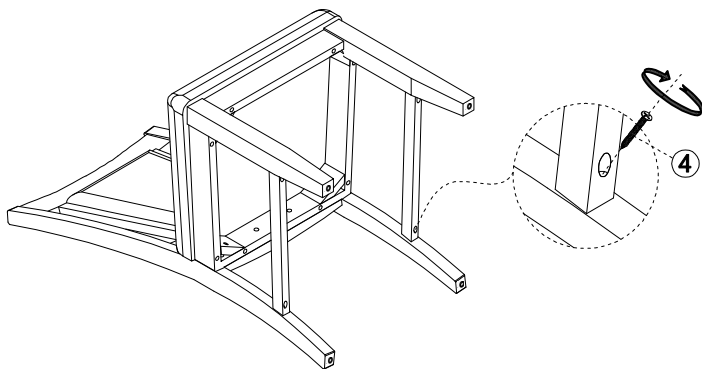
step 1 / paso 1



step 2 / paso 2



step 3 / paso 3










**DO NOT TIGHTEN SCREWS UNTIL COMPLETELY ASSEMBLED !  
NO APRETER LOS TORNILLOS HASTA ARMAR COMPLETAMENTE**

# ASSEMBLY INSTRUCTION INSTRUCCIONES

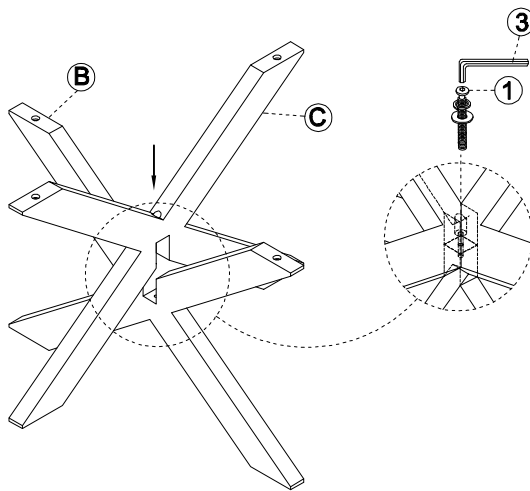
2274T-54 (DINING TABLE)

2274T-54 (MESA DE COMEDOR)

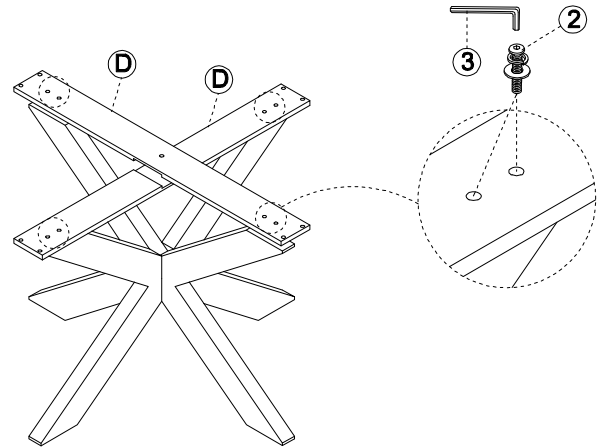
No.	DESCRIPTION	Q'TY
A	 TABLE TOP	1pc/pieza
B	 UPPER LEG	1pc/pieza
C	 LOWER LEG	1pc/pieza
D	 CONNECT BOARD	2pcs/piezas

No.	DESCRIPTION	Q'TY
①	 BOLT (Ø5/16" x 18 x 3")	1pc/pieza
②	 BOLT (Ø5/16" x 18 x 1-1/2")	17pcs/piezas
③	 ALLEN KEY ( 4mm )	1pc/pieza

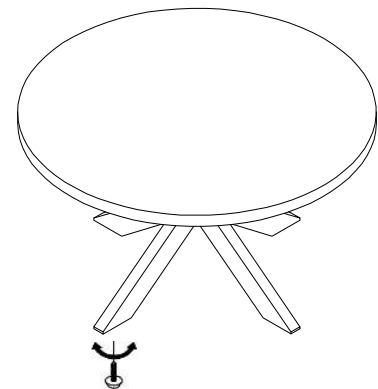
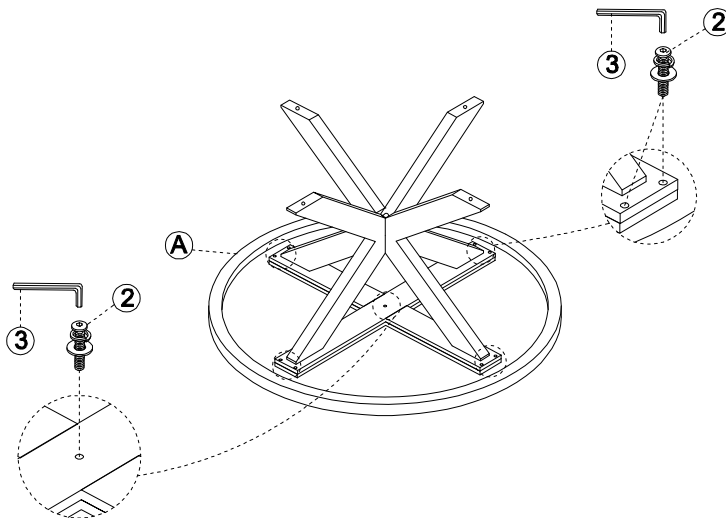
step 1 / paso 1



step 2 / paso 2



step 3 / paso 3



Use leveler on leg to adjust for balance

**DO NOT TIGHTEN SCREWS UNTIL COMPLETELY ASSEMBLED !**  
**NO APRETER LOS TORNILLOS HASTA ARMAR COMPLETAMENTE**