

XO SINK PRO NANOGRIND

WASTE DISPOSALS

NEW
COMPACT
DESIGN



CATEGORY:
3 BOLT - Batch Feed

XOD34PROBF

The XOD34PROBF features a 3 Bolt mounting design that adapts to other similar mount models and a compact profile that is ideal for tight installations like farm sinks. But the XOD34PROBF packs all the power of the NANOGRIND family of disposers with a high speed/high torque motor, jam resistant design and Stainless Steel grinding components backed by an unmatched warranty.

www.xoappliance.com

MODEL: XOD34PROBF

OVERALL

7 5/8
W

16 1/4
H

7 5/8
D

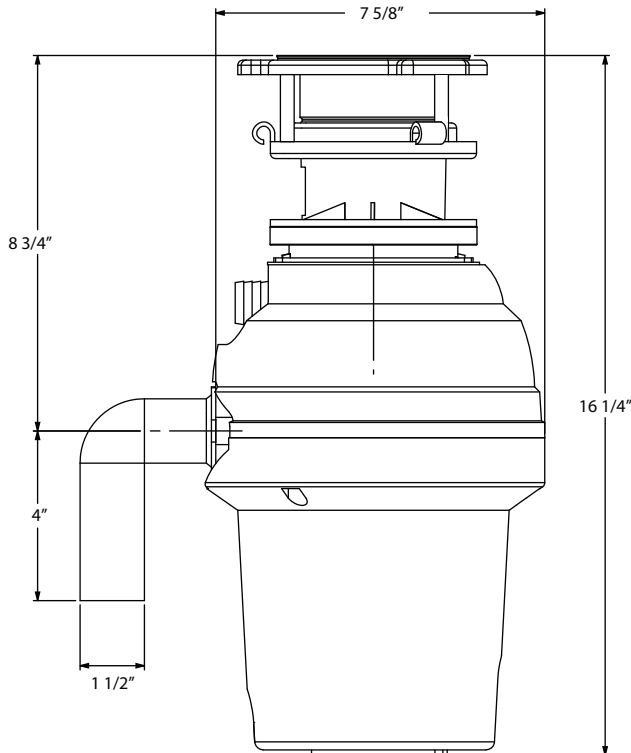
ROUGH IN/CUT OUT

W

H

D

CATEGORY: Batch Feed 3 BOLT MOUNT



The XOD34PROBF has a compact design ideal for tight spaces such as underneath farm sinks.



FACTORY
INSTALLED 3' CORD



Limited warranty
see website for details




For 90 days, all our products
are backed by our unique
Love It or Leave It Guarantee

PRODUCT HIGHLIGHTS

- High Speed / High Torque PM Motor resists jamming
- Stainless Steel grinding components prevents corrosion
- Premium sound insulation for quiet operation
- Septic Safe / Fine Grind
- Adapts to existing 3 bolt hardware
- Easy to Install - no wiring required

SPECIFICATIONS

- 3/4 HP Batch Feed Disposal
- 3' Long 3 Prong Power Cord
- Manual reset thermal overload protection
- 120 V / 60 Hz - 4.6 amps
-  All XO Disposals are UL Listed

POPULAR OPTIONS

XO the next level
in luxury appliances
www.xoappliance.com

XO is exclusively distributed through
EASTERN MARKETING CORP.
24 Eisenhower Parkway, Roseland, NJ 07068
p. 973. 403.8900