



XOT18_SC
WALL PRO

HOW BEAUTIFUL KITCHENS BREATHE



THESE MODELS
FEATURE



FOR MAKE-UP AIR
INSTALLATIONS



XOT18_SC

- High-Velocity Blower
- Incomparable handcrafted Italian finish
- 3 speed electronic illuminated controls
- 5 Minute delay function

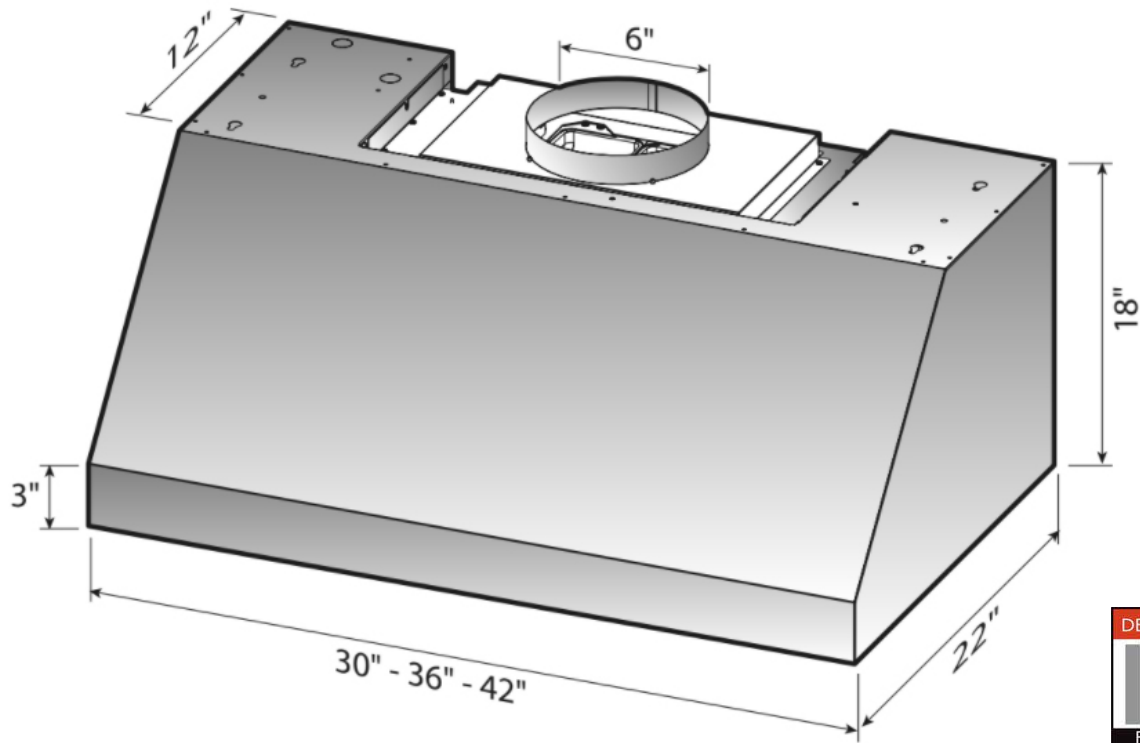
DESIGNED AND CRAFTED IN ITALY

The XOT18 exemplifies the classic American Pro Hood design. This high performance under cabinet hood includes baffle filters. Our superior quality materials and workmanship make this hood a standout among the rest. As with all XO ventilation a recirculation kit is also available.

At XO, we believe that a good design is something everyone can afford

WORLD CLASS SERVICE | COMPREHENSIVE WARRANTIES
OUR LASTING COMMITMENT TO YOU





FEATURES

FINISH

Stainless Steel

FEATURES

- Electronic 3 Speed Control + Power Boost
- CCC Code Compliance Control - 395 or 600 CFM
- High Efficiency 3000k LED Lights (x2)
- Stainless Steel PRO Baffle Filters
- 6" Vertical Duct or Recirculating (Kit Sold Separately)
(Recirculation adds 2-1/4" to the overall height of the unit)
- Optional 12" Duct Cover Available
- 5 Minute Delay Shutoff Timer
- Made In Italy

PERFORMANCE

SPEED	1	2	3	BOOST
CFM	150	250	395	600
SONES	1.0	2.4	4.0	6.4

SPECIFICATIONS

ELECTRICAL 115VAC 60HZ 4.0 AMP

DIMENSIONS
 H 18"
 W 30" - 36" - 42"
 D 22"

MOUNTING HEIGHT

ABOVE COOKING 27" - 32"

DUCTING OPTIONS

6 inch round top or rear venting

OPTIONS

Recirculation Kit XOT30	XORFK07
Recirculation Kit XOT36	XORFK08
Recirculation Filters	XORFRND
Duct Cover XOT1830	XOTDC30S
Duct Cover XOT1836	XOTDC36S
Duct Cover XOT1842	XOTDC42S
Make Up Air Kit (6")	XOMA06

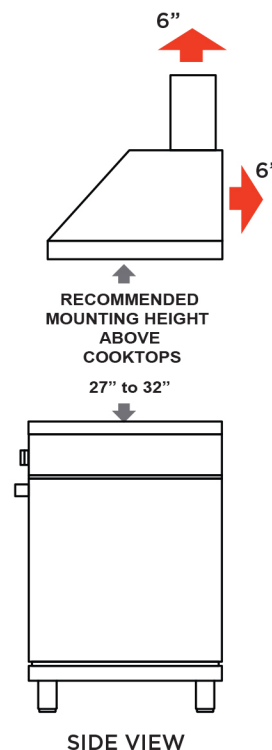
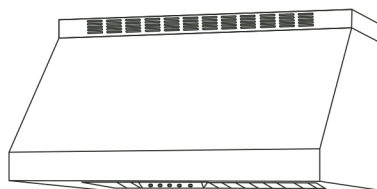
RECOMMENDED MOUNTING HEIGHT

All range hoods have a recommended range of installation height over the cooking surface. However cooking styles, types of cooking equipment and installation limitation can vary greatly. For installations outside the recommended range - consult XO.

THESE MODELS HAVE A 6" DIAMETER EXHAUST DUCT WHICH MAY BE CONFIGURED FOR TOP OR REAR DISCHARGE - CONSULT MANUAL FOR ADDITIONAL INFORMATION.

RECIRCULATION

These XOT18 models may be installed with an optional recirculation kit when venting outside is not practical. The recirculation kit includes a vented housing that mounts on top of the hood. This housing adds 2-1/4" to the height of the unit. Never discharge the exhaust into a confined space such as a soffit, attic, garage, crawl space or the voids between walls.



HOW DOES CODE COMPLIANCE CONTROL HELP -



CODE COMPLIANCE CONTROL (CCC) enables the installer to re-program the hood as it is being installed. **Your XO Hood is set to operate at 600 CFM maximum at the factory.**

Re-programming is accomplished quickly and requires no special tools or additional parts but once done, the air flow rate is limited to a maximum of 395 CFM below the 400 CFM cap that most local codes impose eliminating the need for additional controls.

Re-programming also disables the Power Boost function. After conversion, the installer affixes a label stating the unit has been converted to 395 CFM max. Once done, the unit cannot be changed back.

If your application calls for a make-up air solution, XO gives you more choices.