



# ASSEMBLY INSTRUCTIONS

## COASTER FINE FURNITURE



*Fine Furniture for every stage of life*

**509656**  
**Chair**

# ITEM: 509656

## ASSEMBLY INSTRUCTIONS



### ASSEMBLY TIPS:

1. Remove hardware from box and sort by size.
2. Please check to see that all hardware and parts are present prior to start of assembly.
3. Please follow attached instructions in the same sequence as numbered to assure fast & easy assembly.



### WARNING!

1. Don't attempt to repair or modify parts that are broken or defective. Please contact the store immediately.
2. This product is for home use only and not intended for commercial establishments.



ASSEMBLY TIME

10 MINUTES

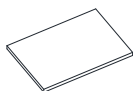
## PARTS IDENTIFICATION

A FRONT PANEL



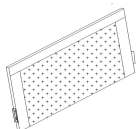
1PC

B SEAT DECK



1PC

C BACKREST



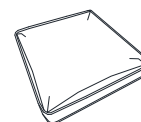
1PC

D BACK CUSHION



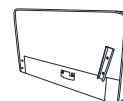
1PC

E SEAT CUSHION



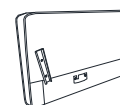
1PC

F LEFT ARM



1PC

G RIGHT ARM



1PC

H LEG



4PCS

## HARDWARE IDENTIFICATION

1 BOLT  
(5/16" x 25mm - RBW)



4PCS

2 ALLEN WRENCH  
(60mm x 4mm - RBW)



1PC

3 LOCK WASHER  
(D12mm - RBW)



4PCS

4 FLAT WASHER  
(D19mm - RBW)



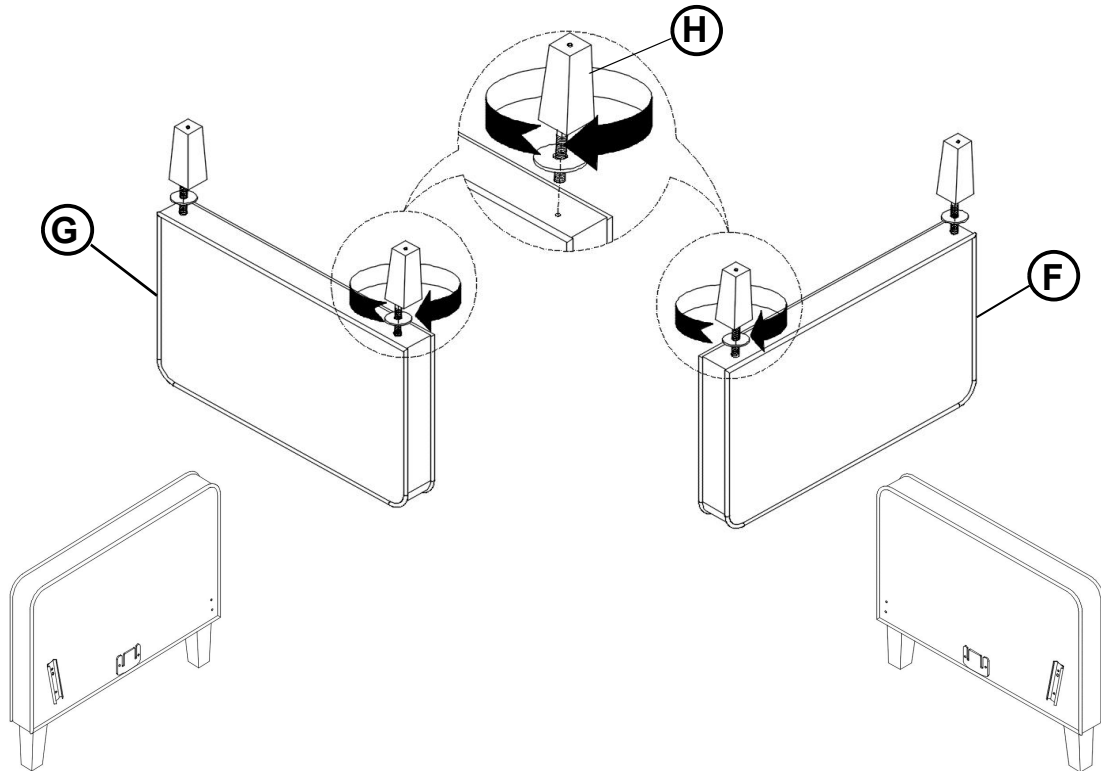
4PCS

ITEM: **509656**

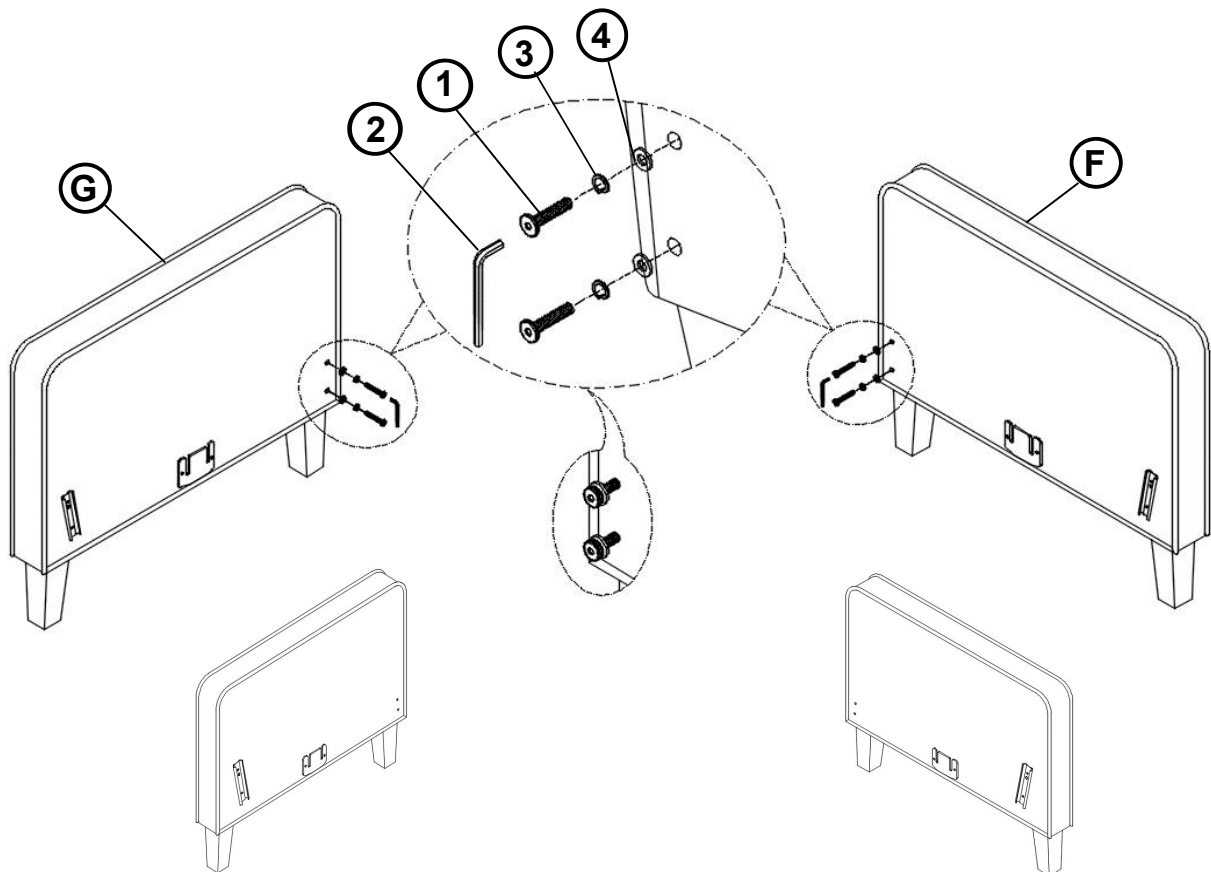


**ASSEMBLY INSTRUCTIONS**

**STEP 1**



**STEP 2**

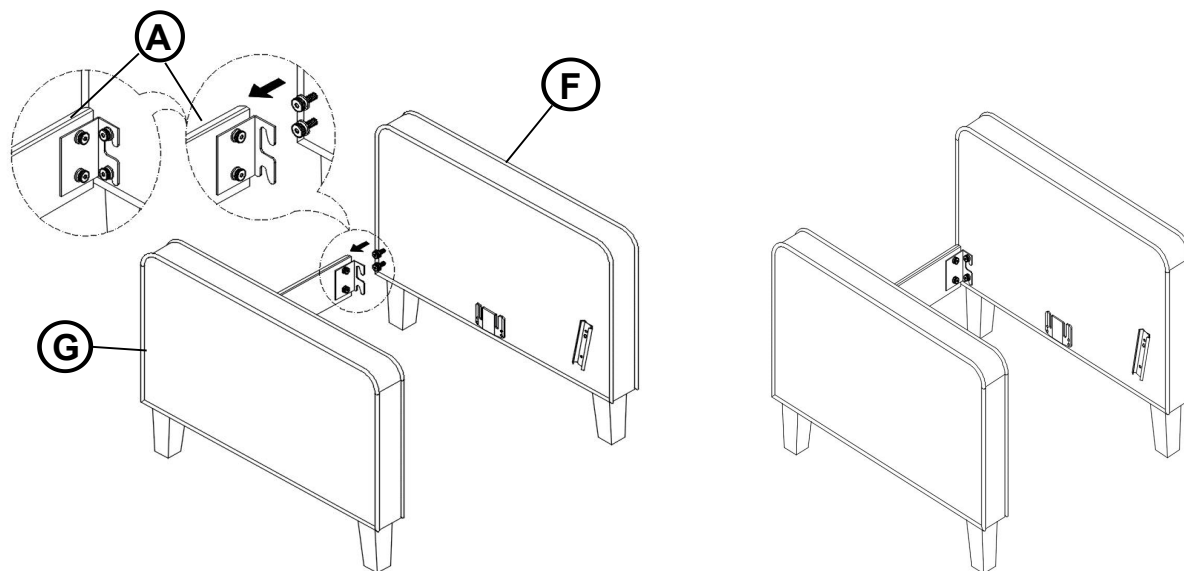


ITEM: **509656**

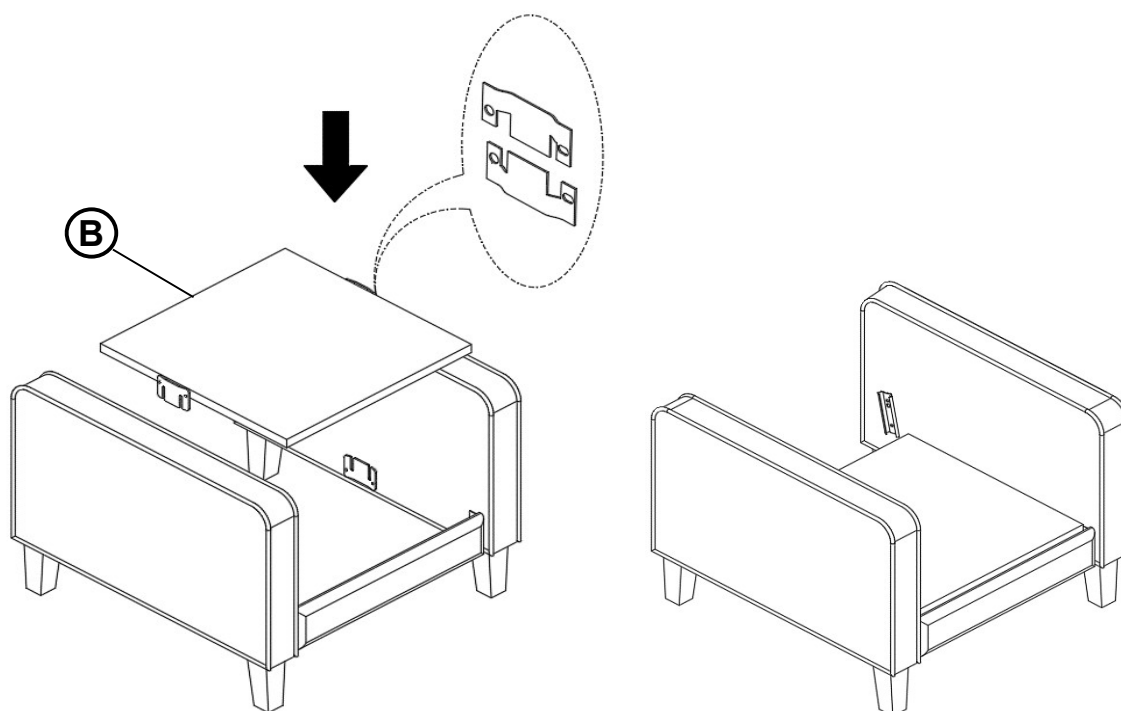


## ASSEMBLY INSTRUCTIONS

### STEP 3



### STEP 4

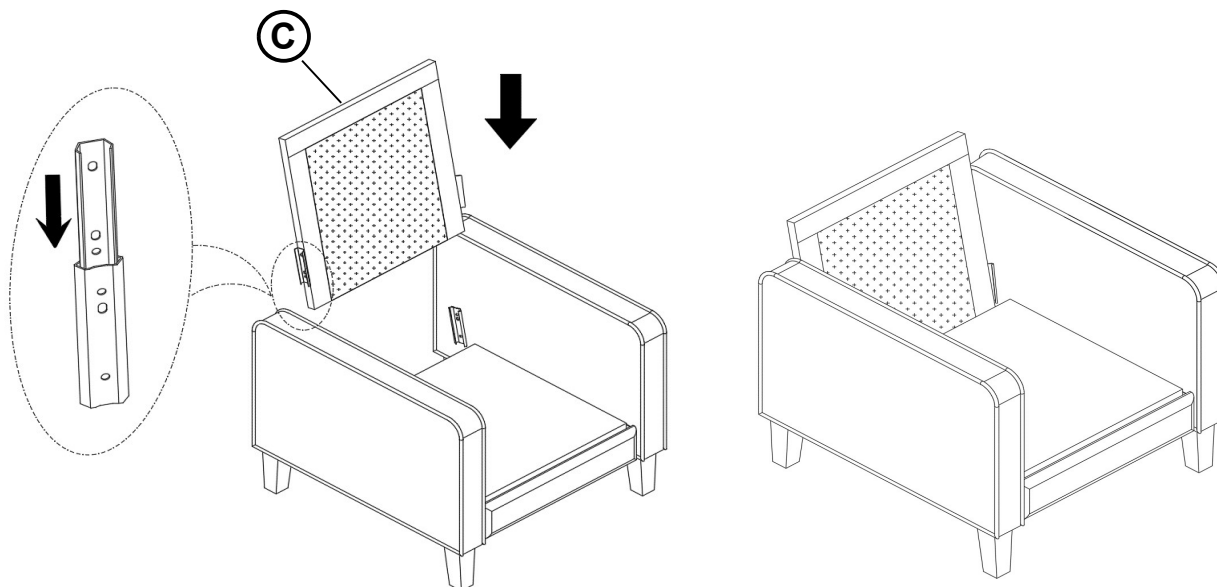


ITEM: **509656**

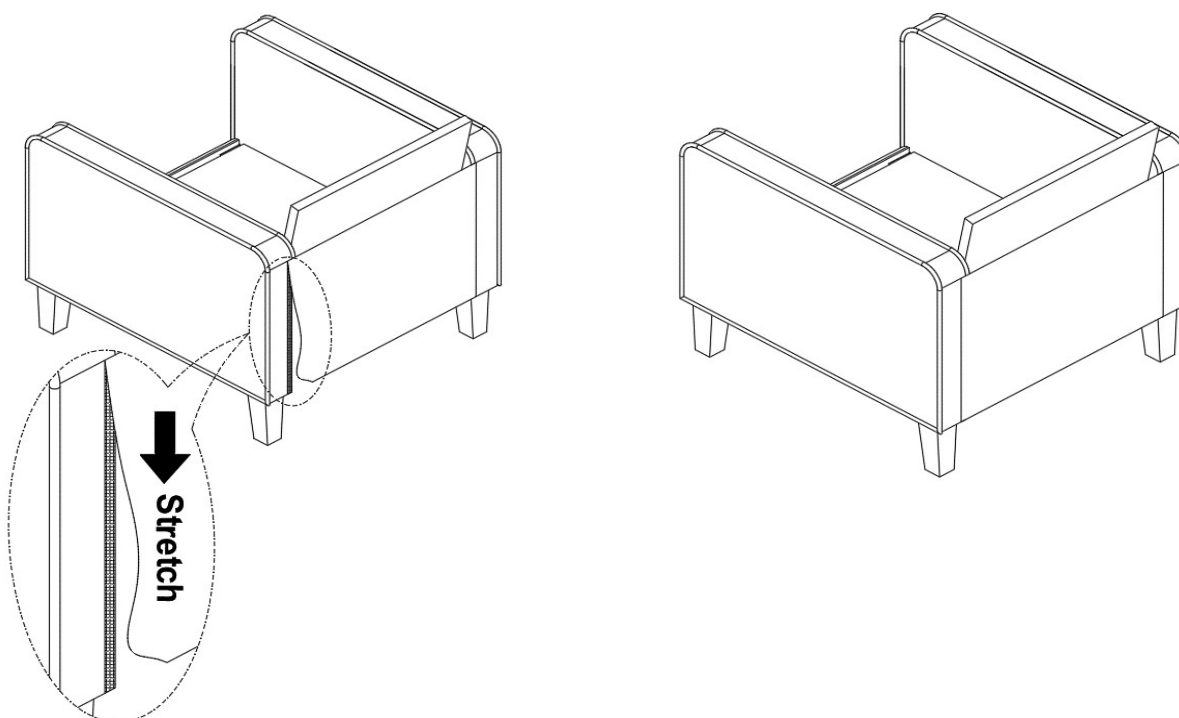


**ASSEMBLY INSTRUCTIONS**

**STEP 5**



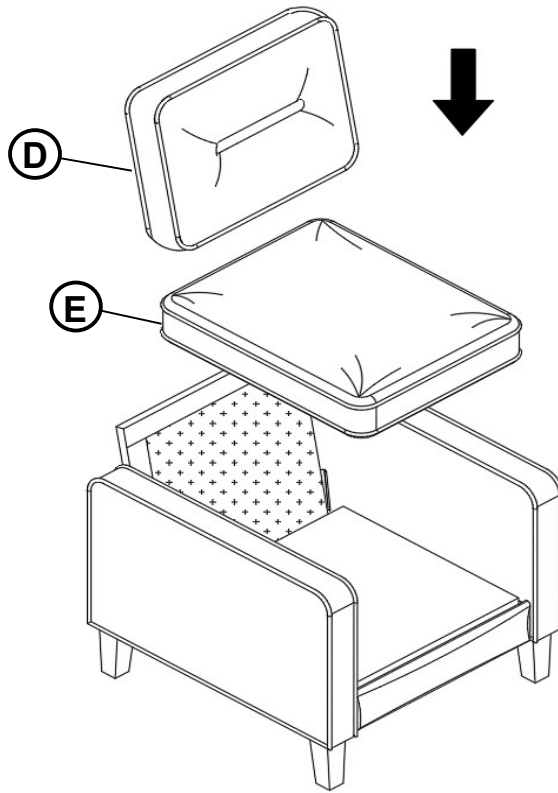
**STEP 6**



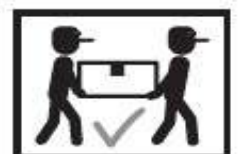
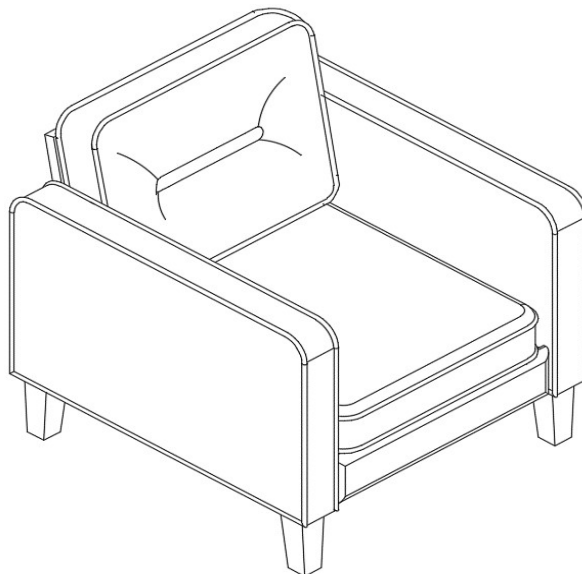
ITEM: **509656**



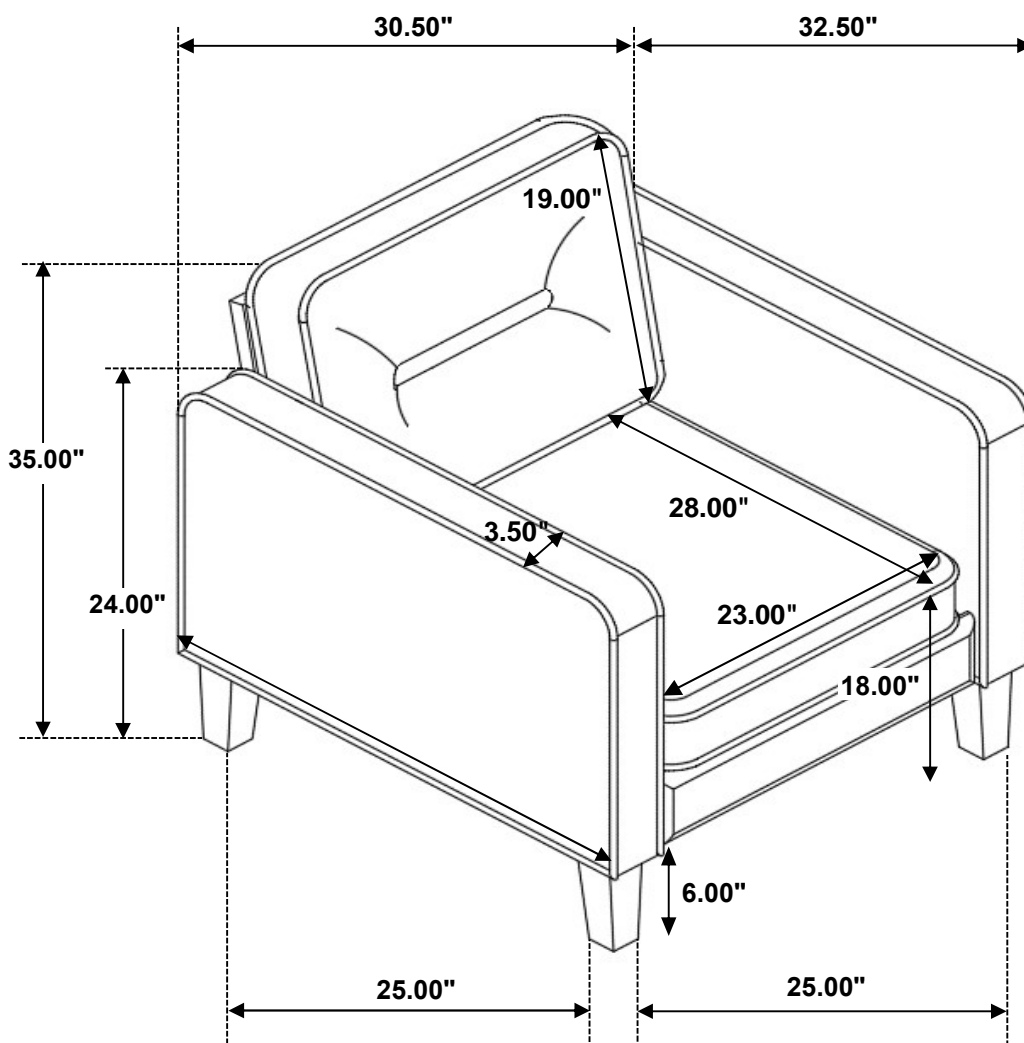
**ASSEMBLY INSTRUCTIONS**  
**STEP 7**



**STEP 8**  
**COMPLETE**



ITEM: 509656



Note: Dimension tolerance  $\pm 5\%$