






# ASSEMBLY INSTRUCTION

**CROWNMARK**  
**MODEL : B1600 QUEEN BED**

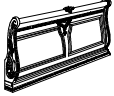

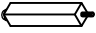

(BOX 1)  
BOX OF HEADBOARD

NO	ITEM	QTY
A	Headboard 	1 PC
B	Finial 	1 PC
C	Stretcher 	1 PC







(BOX 4)  
BOX OF HEADBOARD LEG

NO	ITEM	QTY
D	Headboard KD Leg ( L/R) 	2 PCS
E	Bun foot 	2 PCS

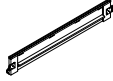
(BOX 2)  
BOX OF FOOTBOARD

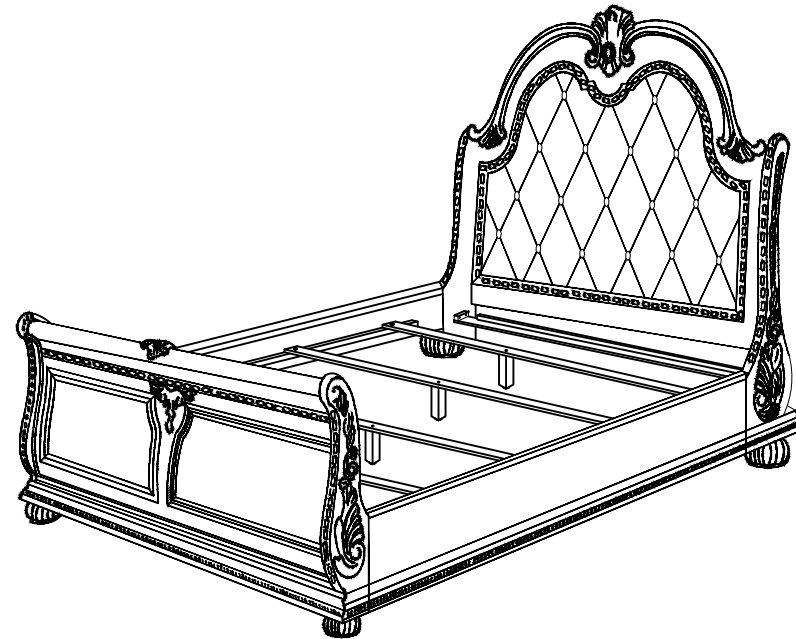
NO	ITEM	QTY
F	Footboard 	1 PC
G	bed slat 	4 PCS
H	Support leg 	4 PCS
I	Bun foot 	2 PCS

(BOX 1)  
HARDWARE LIST

NO	ITEM	QTY
1	Ø5/16" x 18 x 1-3/4" L 	10 PCS
2	Ø5/16" x 18 x 1-1/2" L 	2 PCS
3	Ø5/16" 	12 PCS
4	Ø5/16" 	12 PCS
5	Ø5/16" 	1 PC
6	1-3/16" 	8 PCS

(BOX 3)  
BOX OF SIDE RAIL

NO	ITEM	QTY
K	Side Rail (L/R) 	2 PCS

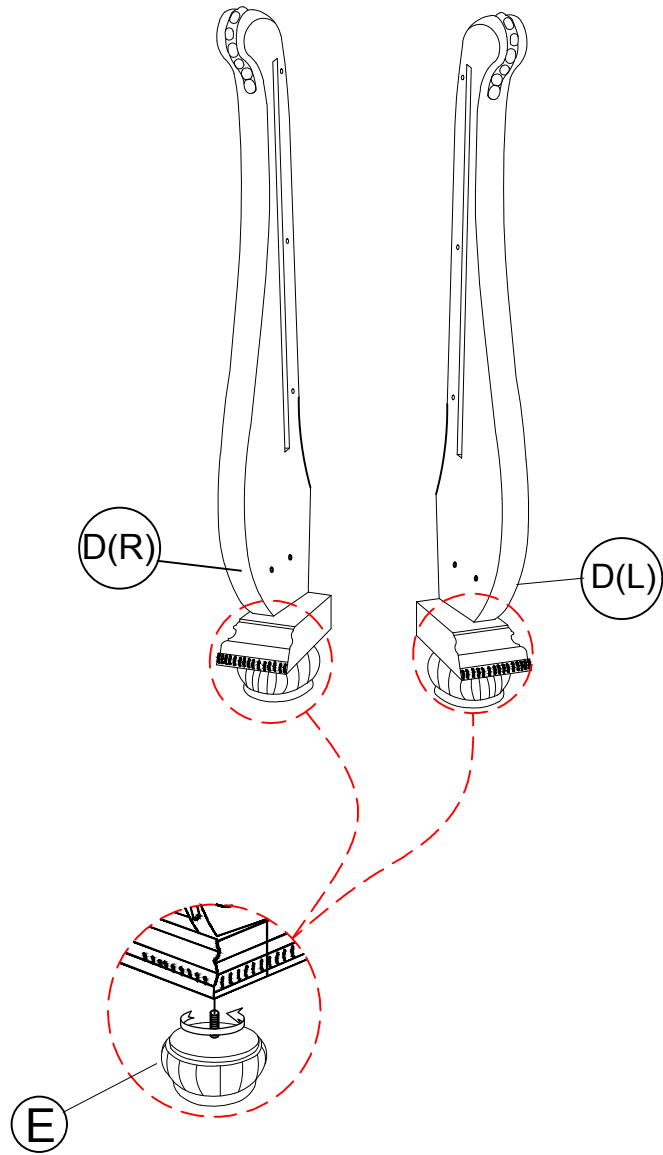


**NOTE : DURING ASSEMBLY, DO NOT FULLY TIGHTEN ANY HARDWARE UNTIL THE COMPLETE UNIT HAS BEEN ASSEMBLED.**

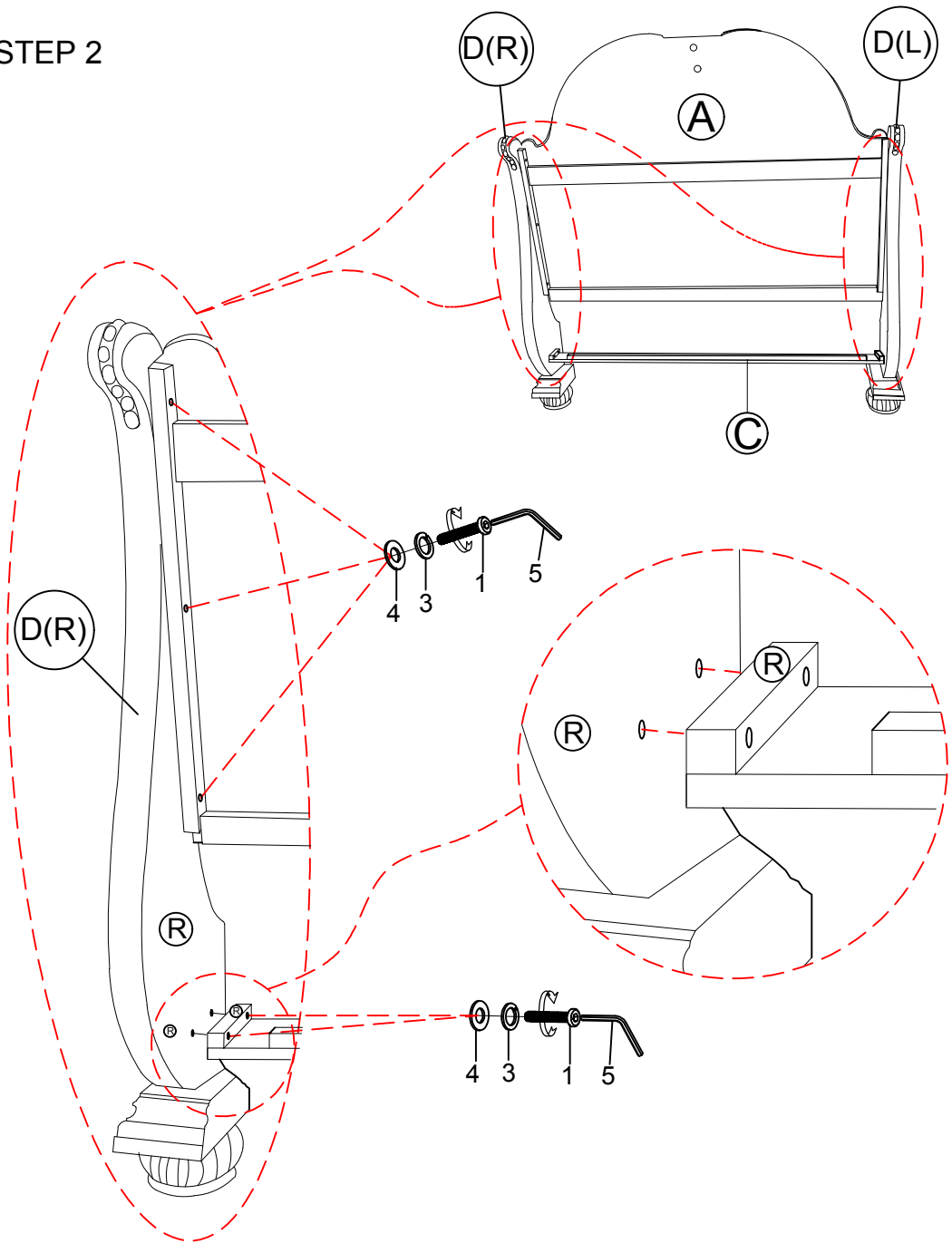
"THE HARDWARE IS LOCATED IN THE PACKING ITEMS"

NOTE : MUST TIGHTEN SCREWS PERIODICALLY WITH USE SCREWS WILL BECOME LOOSE.CHECK TIGHTNESS OF ALL SCREWS EVERY 6-8 WEEKS.

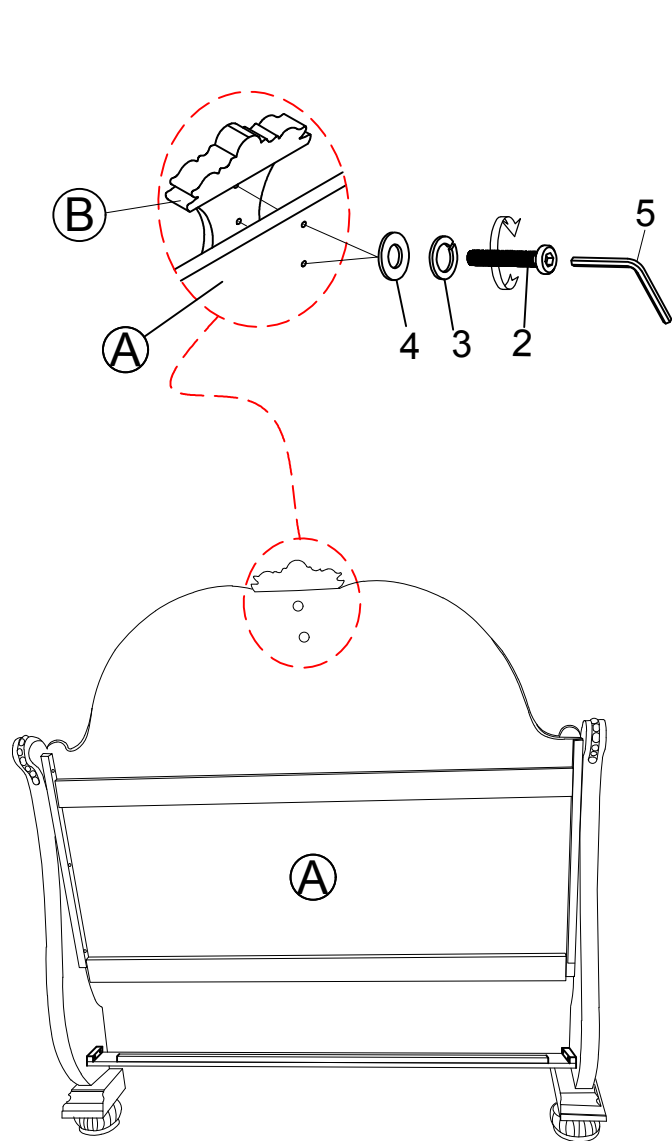
STEP 1



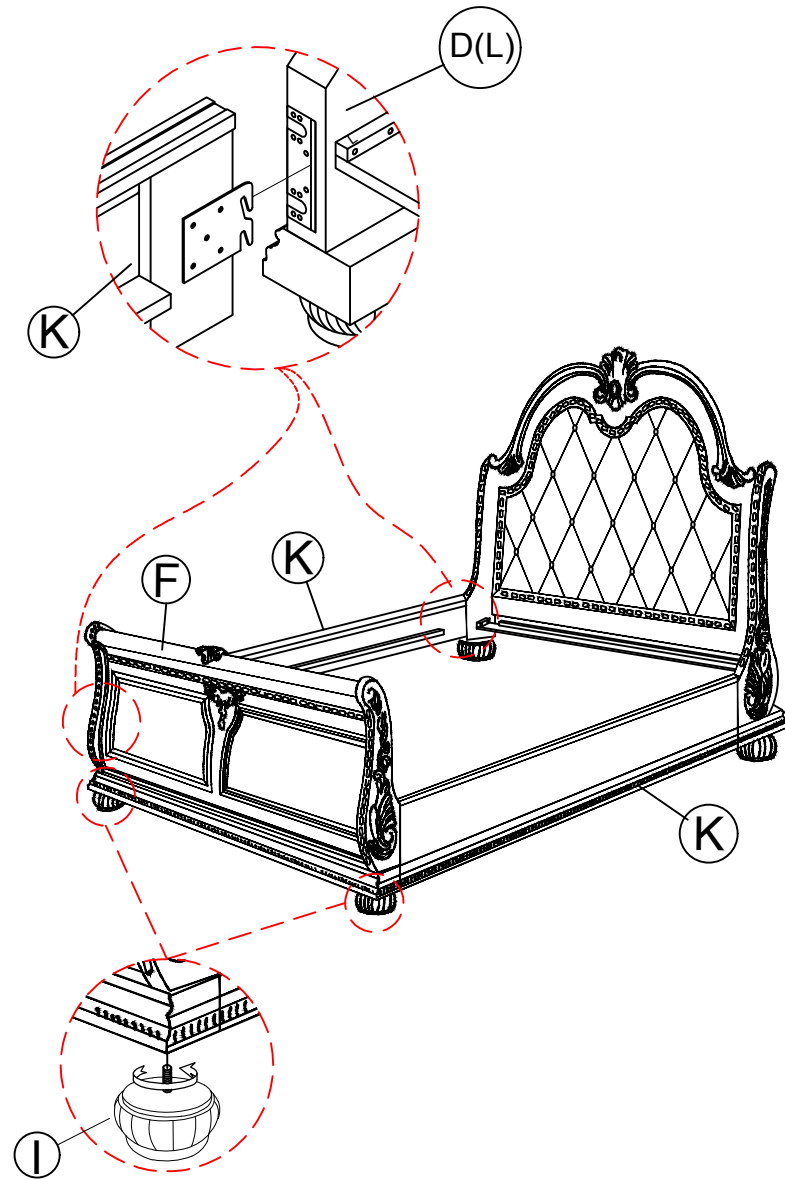
STEP 2



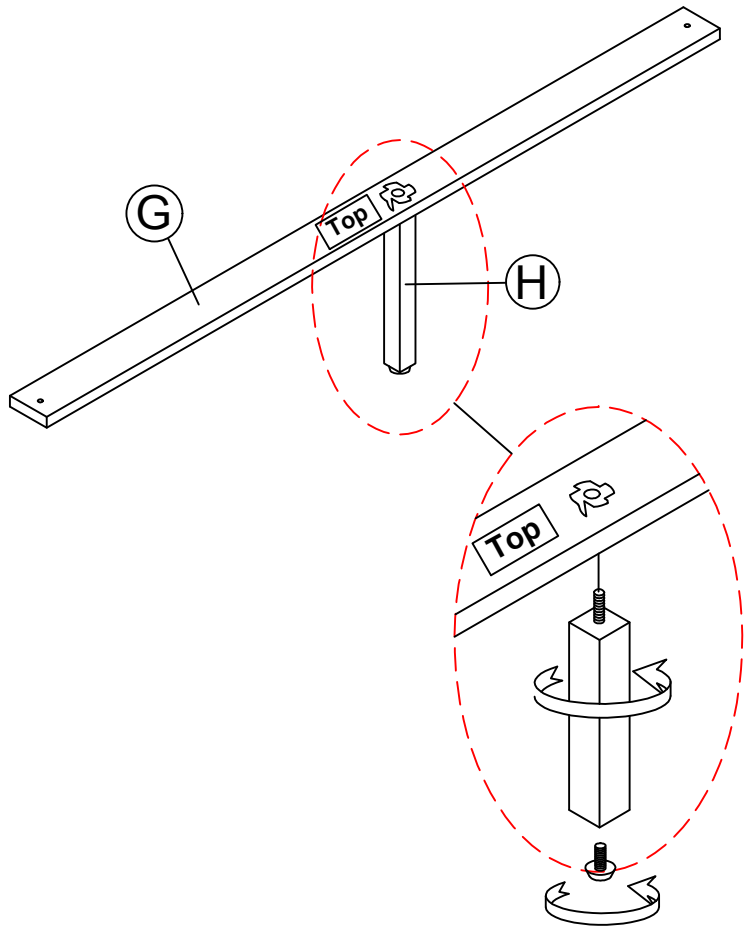
STEP 3



STEP 4



# STEP 5



# STEP 6 COMPLETED

