

# Commercial Top-Load Dryer - Non-Coin

**Whirlpool**  
COMMERCIAL  
LAUNDRY



CEM2795JQ / CGM2795JQ

**Why Buy:** Choose a commercial-built product that withstands heavy traffic, regular use, and performs continuously.

## Commercial-Grade Cabinet



The robust cabinet is made from heavy-gauge galvanized steel to provide long-lasting protection, with an easy-to-remove front panel for streamlined service.

## Full-Wrap Console



The metal console wraps completely around the back of the machine, making it easy to clean, and offering optimal protection against unexpected liquid spills or vapor.

## Reversible, 180° Wide-Opening, Side-Swing Door



The side-swing door gives unhindered access for loading and unloading, while the 180° opening gives optimal flexibility in any space. Made from heavy-gauge, galvanized steel, it's designed for regular use.

**Whirlpool**  
COMMERCIAL  
LAUNDRY

**2-YEAR LIMITED  
PARTS ONLY  
WARRANTY / 90-DAY LABOR**

For 90 days from the date of the original purchase, when this commercial appliance is installed, maintained, and operated according to instructions attached to or furnished with the product, Whirlpool Corporation (hereafter "Whirlpool") will pay for factory-specified replacement parts and repair labor to correct defects in materials or workmanship that existed when this commercial appliance was purchased. For the first two years from the date of purchase, when this major appliance is installed, maintained, and operated according to the instructions attached to or furnished with the product, Whirlpool will pay for factory-specified replacement parts to correct defects in materials or workmanship that existed when this commercial appliance was purchased.

See [whirlpoolcommerciallaundry.com](http://whirlpoolcommerciallaundry.com) for warranty details.

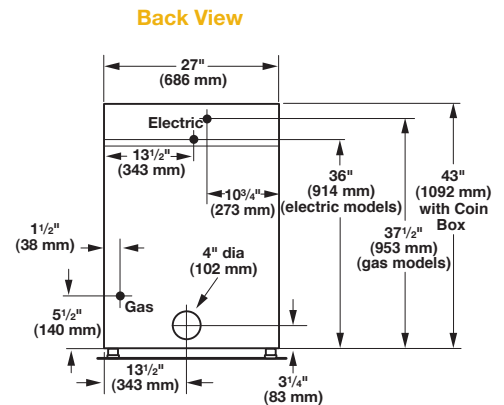
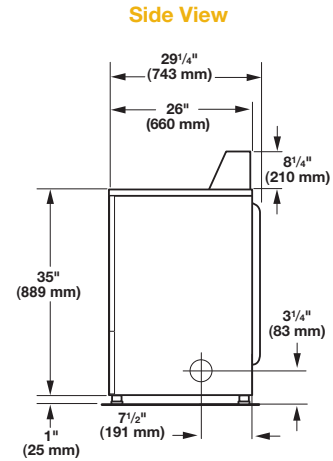
# Commercial Top-Load Dryer - Non-Coin



## Electric Dryer CEM2795JQ & Gas Dryer CGM2795JQ At A Glance:

- 7.4 cu. ft.
- 3 cycles, 3 temperatures
- Non-coin
- Reversible, 180° wide-opening, side-swing door
- Four-roller suspension
- Galvanized, heavy-gauge cabinet
- 1/3-HP motor
- Removable, door-mounted lint screen
- Card reader compatible\*
- 2-Year Limited Parts Warranty/90-Day Labor\*\*

MODEL	Non-Coin	CEM2795JQ	CGM2795JQ
Fuel Type		U.S. Electric	U.S. Gas
<b>SPECIFICATIONS</b>			
<b>CAPACITY</b>			
Cylinder Volume — cu. ft. (liters)		7.4 (210)	7.4 (210)
Cylinder Diameter — in. (mm)		26.26 (667)	26.26 (667)
Cylinder Depth — in. (mm)		23.2 (590)	23.2 (590)
<b>ELECTRICAL REQUIREMENTS</b>			
Voltage		240V	120V
Electrical Requirements / Frequency		60Hz	60Hz
Breaker / Fuse — amps†		30	15
<b>AIRFLOW (CFM)</b>		178	183
<b>DRYER EXHAUST DUCT DIAMETER — IN. (MM)**</b>		4" (101.6)	4" (101.6)
<b>ELECTRIC HEATING ELEMENT (WATTS)</b>		5,600	5,600
<b>GAS RATING — BTU/HR. (KCAL/HR.)</b>		22,000 (5,544)	22,000 (5,544)
<b>GAS INLET SIZE</b>		N/A	3/8 N.P.T
<b>MOTOR SIZE — HP (KW)</b>		1/3 (.25)	1/3 (.25)
<b>DIMENSIONS</b>			
<b>MACHINE DIMENSIONS</b>			
Width (with door closed) — in. (mm)		27" (686)	27" (686)
Depth — in. (mm)		29.25" (743)	29.25" (743)
Height — in. (mm)		41" (1,042)	41" (1,042)
Door Opening — in. (mm)		20.25" (514)	20.25" (514)
<b>CRATED DIMENSIONS</b>			
Crated Width — in. (mm)		28.8 (731)	28.8 (731)
Crated Depth — in. (mm)		30.8 (782)	30.8 (782)
Crated Height — in. (mm)		44.65 (1,134)	44.65 (1,134)
<b>APPROXIMATE WEIGHT</b>			
Uncrated — lbs. (kg)		115 (52.2)	120 (54.4)
Crated — lbs. (kg)		125 (56.7)	139 (59)



Dimensions are for planning purposes only. See specific instructions for proper installation. Because of continuous product improvement, Whirlpool reserves the right to change specifications without notice.

\*Card readers are not supplied or sold by Whirlpool Corporation and must be purchased separately.

\*\*Visit [whirlpoolcommerciallaundry.com](http://whirlpoolcommerciallaundry.com) for complete warranty details.

†It is recommended that a separate circuit serving for this dryer be provided.

\*\*Use 4" (100mm) diameter rigid aluminum or galvanized steel duct. Never use plastic, non-metal, or combustible duct.

