

NQ70CG600D

SAMSUNG

30" Microwave Combination Wall Oven



Available Colors



Stainless Steel
NQ70CG600DSR



Matte Black
NQ70CG600DMT

Design

- Drop-Down Door Design
- Transitional Design

Features

- Steam Cook (Oven)
- Air Sous Vide (Oven)
- Air Fry, Tray Included (Oven)
- Convection Vegetable (Oven)
- Wi-Fi Connectivity
- Dual Convection
- Digital Touch Controls
- 7-Inch LCD Display
- Steam Clean & Self-Clean (Oven)
- Halogen Lights
- 2 Heavy-Duty Racks
- Gliding Rack
- Broil Element
- 6 Rack Positions (Oven)

Convenience

- Sabbath Mode (Oven)
- Delay Start (Oven)
- Child Safety Lock
- Warming Mode
- Kitchen Timer

Specifications

Microwave Capacity: 1.9 cu. ft.

- Sensor Cook
- Speed Convection
- Speed Broil
- Air Fry Auto Cook

Oven Capacity: 5.1 cu. ft.

- Hidden Bake Element
- Convection Bake: 175°F–550°F
- Convection Roast: 175°F–550°F
- Convection Vegetables: 350°F–450°F
- Bake: 175°F–550°F
- Broil: Low-High
- Air Sous Vide: 100°F–205°F
- Air Fry: 350°F–500°F
- Steam Proof
- Dehydrate

Dimensions

Product Dimensions & Weight (WxHxD)

Outside (Max) Wall Oven Dimensions:

29³/₄" x 43¹/₄" x 24³/₈"

Wall Oven Cut-Out Dimensions:

28⁵/₈" x 42¹/₄" x 23¹/₂"

Weight: 270.1 lbs

Shipping Dimensions & Weight (WxHxD)

Dimensions: 33³/₄" x 48¹/₄" x 29⁷/₁₆"

Weight: 299.8 lbs

Warranty

One (1) Year All Parts and Labor

UPC

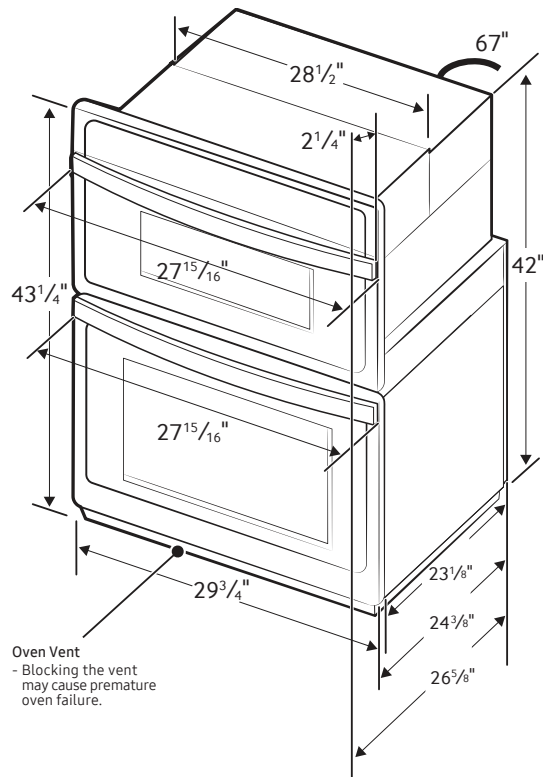
Microwave Combination Wall Oven	Model #	UPC Code
Stainless Steel	NQ70CG600DSR	887276757605
Matte Black	NQ70CG600DMT	887276757599

NQ70CG600D

SAMSUNG

30" Microwave Combination Wall Oven

Product Dimensions



Electrical Requirements

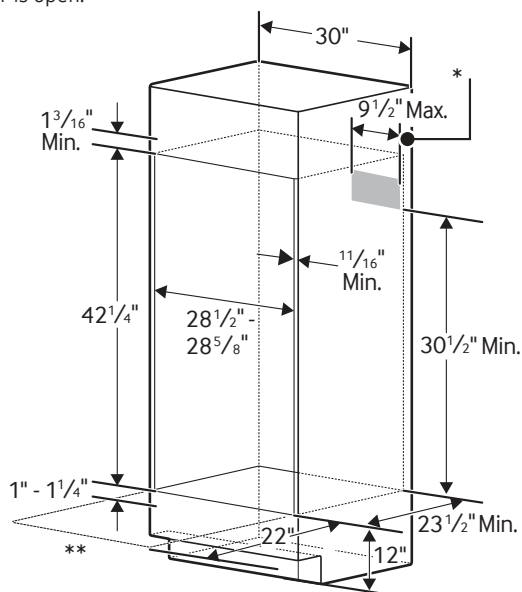
KW RATING	
240V	8.2 kW
208V	6.2 kW
BREAKER SIZE	
240V	40 Amps
208V	30 Amps

Cabinet Dimensions

Combination Oven Installed in Cabinet

* Junction Box.

** Allow a minimum of 22" for clearance to adjacent corners, drawers, walls, etc. when door is open.



Actual color may vary. Design, specifications, and color availability are subject to change without notice. Non-metric weights and measurements are approximate.

©2023 Samsung Electronics America, Inc. 85 Challenger Road, Ridgefield Park, NJ 07660. Tel: 800-SAMSUNG. samsung.com. Samsung is a registered trademark of Samsung Electronics Co. Ltd.