

PKD7000BN/FN/SN

GE Profile™ Series 27" Built-In Double Electric Convection Wall Oven

DIMENSIONS AND INSTALLATION INFORMATION (IN INCHES)

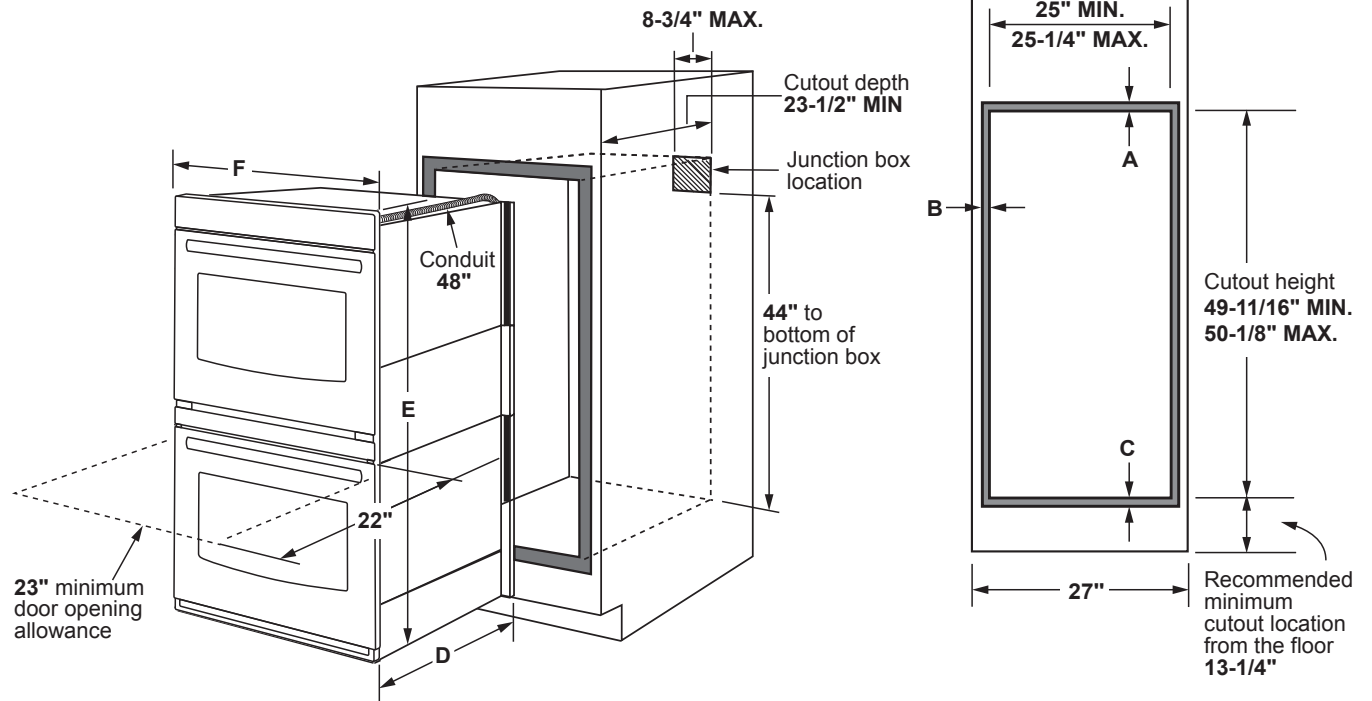
NOTE: Wall coverings, countertops and cabinets surrounding the wall oven must be able to withstand a temperature of up to 200°F (94°C).

NOTE: If the cabinet in which the wall oven is installed does not have a solid bottom, two braces or runners must be installed to support the weight of the oven. The runners and braces must support up to 400 lbs (181 kg).

NOTE: Door handle protrudes 3" from door face. Cabinets and drawers on adjacent 45° and 90° walls should be placed to avoid interference with the handle.

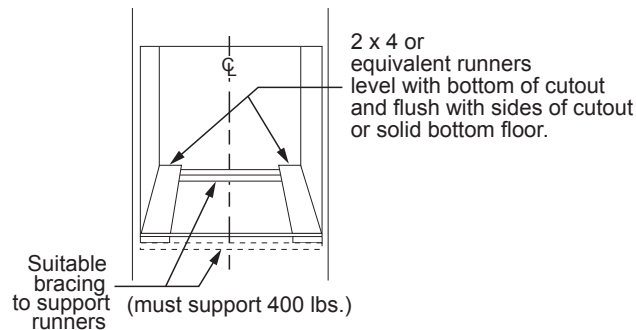
ATTENTION INSTALLER: Electric wall ovens are NOT approved for installation with a plug and receptacle. They must be hard wired into an approved junction box.

IMPORTANT: Before installing, consult installation instructions packed with product for current dimensional data.



Dimension and installation information are shown in inches.

KW RATING	
240V	7.2
208V	5.4
BREAKER SIZE	
240V	30 Amps
208V	30 Amps



PKD7000

Cabinet	27"
A - Overlap of oven at top of cutout	1"
B - Overlap of oven other side of edge of cutout	1"
C - Overlap of oven at bottom of cutout	1"
Oven	
D - Install depth	23-1/2"
E - Overall height with trim	51-1/8"
F - Overall width	26-3/4"



For answers to your GE Profile™ or GE Appliances product questions, visit our website at geappliances.com or call GE Answer Center® Service, 800.626.2000.



PKD7000BN/FN/SN

GE Profile™ Series 27" Built-In Double Electric Convection Wall Oven

FEATURES AND BENEFITS

Brilliant Touch 7" Display – A bright, interactive touch screen makes it fun and easy to program the oven.

True European Convection – Achieve delicious results from a third heating element and fan combination.

Built-In WiFi, Powered by SmartHQ App – Connect, control and manage your oven from anywhere with your smartphone or tablet

GE Profile Connect + – Ensure your oven always has the latest features with downloadable software updates.

Never scrub, smooth glide racks – Easily remove even the heaviest dishes with a roller rack that's engineered to glide seamlessly out of the oven.

Precision temperature probe – Internal probe allows monitoring of roasts and meats to assure they are thoroughly and accurately cooked without opening the oven door.

Never scrub racks – Save time and effort with racks that are specially engineered to withstand the heat of the self-clean cycle.

10-pass hidden bake element – Even baking and quick cleanup are assured, with a 10-pass element that heats a large cooking area and is hidden for an easy-to-wipe surface.

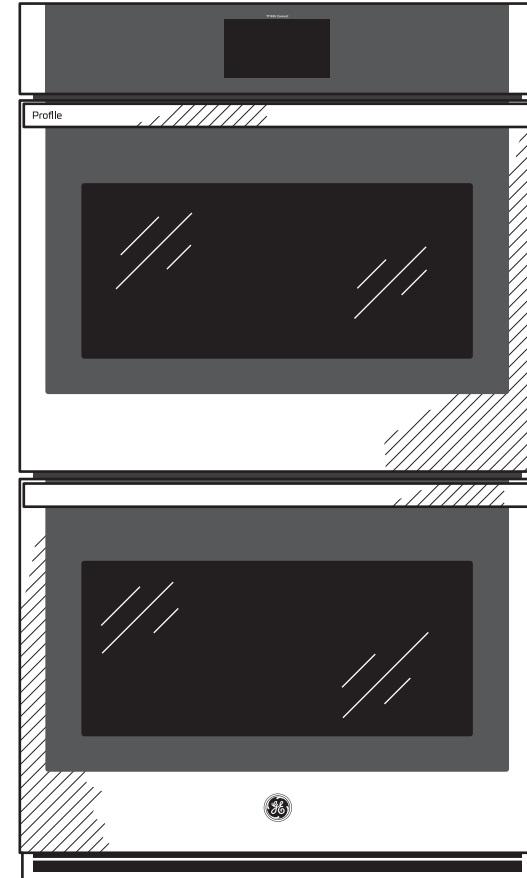
8-pass broil element – Get full broil coverage and even browning from edge to edge.

Scan-to-cook – Prepare your favorite packaged foods to perfection simply by scanning the barcode on the package with your smartphone and letting your oven adjust settings automatically.

Model PKD7000BNTS – Black Stainless

Model PKD7000FNDS – Black Slate

Model PKD7000SNSS – Stainless steel



FIT GUARANTEE

Replacing a similar wall oven from GE Appliances or another brand? GE wall ovens are guaranteed for an exact fit or GE Appliances will pay up to \$300 toward modifications.

Visit geappliances.com for more info

